



US00D646861S

(12) **United States Design Patent**  
**McGee et al.**

(10) **Patent No.:** **US D646,861 S**

(45) **Date of Patent:** **\*\* Oct. 11, 2011**

(54) **HANDHELD CLEANING APPLIANCE**

(75) Inventors: **Brian R McGee**, Acton, MA (US);  
**Stuart D Babb**, Milton, MA (US)

(73) Assignee: **Euro-Pro Operating LLC**, Newton,  
MA (US)

(\*\*) Term: **14 Years**

(21) Appl. No.: **29/382,365**

(22) Filed: **Jan. 3, 2011**

(51) **LOC (9) Cl.** ..... **15-05**

(52) **U.S. Cl.** ..... **D32/45**

(58) **Field of Classification Search** ..... D32/17-18,  
D32/31-33, 45, 50-51; 15/344, 329, 338,  
15/335, 414, 415.1, 418-422, 409, 300.1,  
15/322, 320, 231, 233, 319, 208, 246.2, 115,  
15/321, 353, 50.1, 98, 118, 228, 209.1, 302;  
392/404-406; 122/379; 401/138, 268

See application file for complete search history.

(56) **References Cited**

**U.S. PATENT DOCUMENTS**

D205,994 S *	10/1966	Ota	.....	D32/18
D360,502 S *	7/1995	Hollinger	.....	D32/18
5,819,364 A	10/1998	Sham		
6,031,969 A *	2/2000	Burr et al.	.....	392/404
D421,513 S *	3/2000	Hsu	.....	D32/18
6,536,379 B1 *	3/2003	Liu	.....	122/379
D475,490 S *	6/2003	Choi	.....	D32/17
D481,841 S *	11/2003	Hsu	.....	D32/18
6,879,776 B1 *	4/2005	Wu	.....	392/405
D507,088 S *	7/2005	Chi-Hsiang et al.	.....	D32/45
D514,267 S *	1/2006	Tsai	.....	D32/45
D515,759 S *	2/2006	Fischer	.....	D32/45
D543,667 S *	5/2007	Yoshimoto et al.	.....	D32/18
D553,810 S *	10/2007	Lau	.....	D32/18
D583,118 S *	12/2008	Snyder	.....	D32/51
D597,717 S *	8/2009	Rosenzweig et al.	.....	D32/45
D607,168 S *	12/2009	Libman et al.	.....	D32/45
D615,260 S *	5/2010	Koenig	.....	D32/45
7,722,273 B2 *	5/2010	Tanaka et al.	.....	401/138
D624,254 S *	9/2010	Ediger et al.	.....	D32/17

D625,481 S *	10/2010	Raven	.....	D32/51
D631,217 S *	1/2011	Lavy	.....	D32/45
2009/0000051 A1 *	1/2009	Rosenzweig et al.	.....	15/228
2009/0320231 A1 *	12/2009	Rosenzweig et al.	.....	15/339
2010/0126533 A1	5/2010	Nottingham et al.		
2010/0306939 A1 *	12/2010	Dingert	.....	15/115

**OTHER PUBLICATIONS**

GrueneSteam Cleaning System. Steam Mop & Hand Cleaner. GrueneSteam Deluxe Tool Set. Product Details. Website. Printed from internet Jul. 28, 2010. 3 pages.

Gruene™ 2-1 Steam Mop & Steam Cleaner. Printed from internet Jul. 28, 2010. 14 pages.

Thane Housewares™ H<sub>2</sub>O Mop Ultra™ User's Guide. 3 in 1 H<sub>2</sub>O Mop® Ultra™ + Hand-Held Portable Steamer + Carpet Cleaner. Model: SC-393. Printed from internet Jul. 28, 2010. 10 pages.

Top Innovations, Inc. Steamfast™ Powerful. Natural. Intelligent. 3-in-1 Steam Mop. Model SF-294. User's Guide. Copyright 2009. 40 pages.

Top Innovations, Inc. Steamfast™ Multi-Purpose Steamer. Model SF-292. Printed from internet Feb. 16, 2011. 10 pages.

\* cited by examiner

*Primary Examiner* — Ruth McInroy

(74) *Attorney, Agent, or Firm* — Wolf, Greenfield & Sacks, P.C.

(57) **CLAIM**

We claim the ornamental design for a handheld cleaning appliance, as shown and described.

**DESCRIPTION**

FIG. 1 is a perspective view of a handheld cleaning appliance in accordance with the present design;

FIG. 2 is a front view thereof;

FIG. 3 is a rear view thereof;

FIG. 4 is a left side view thereof;

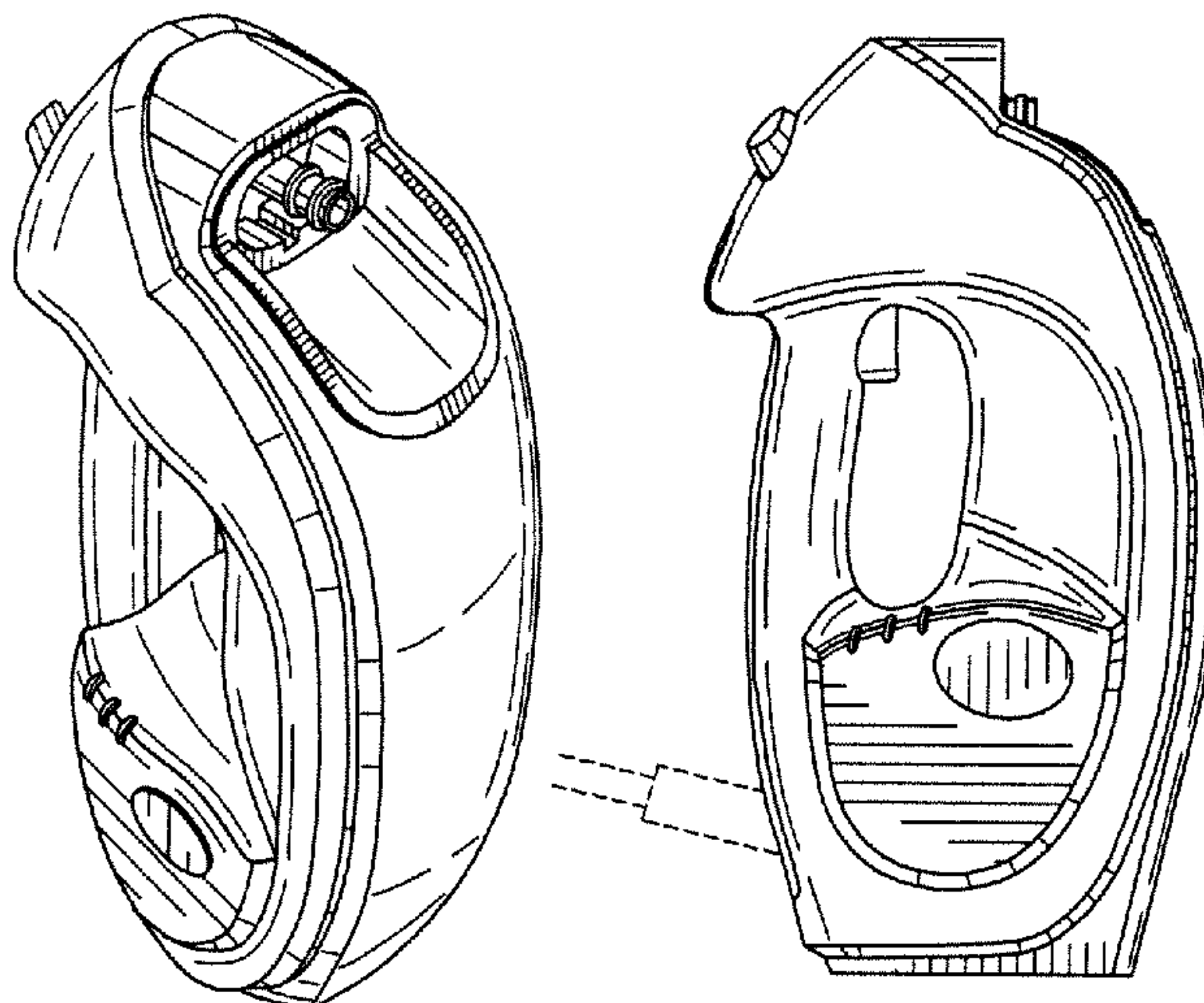
FIG. 5 is a right side view thereof;

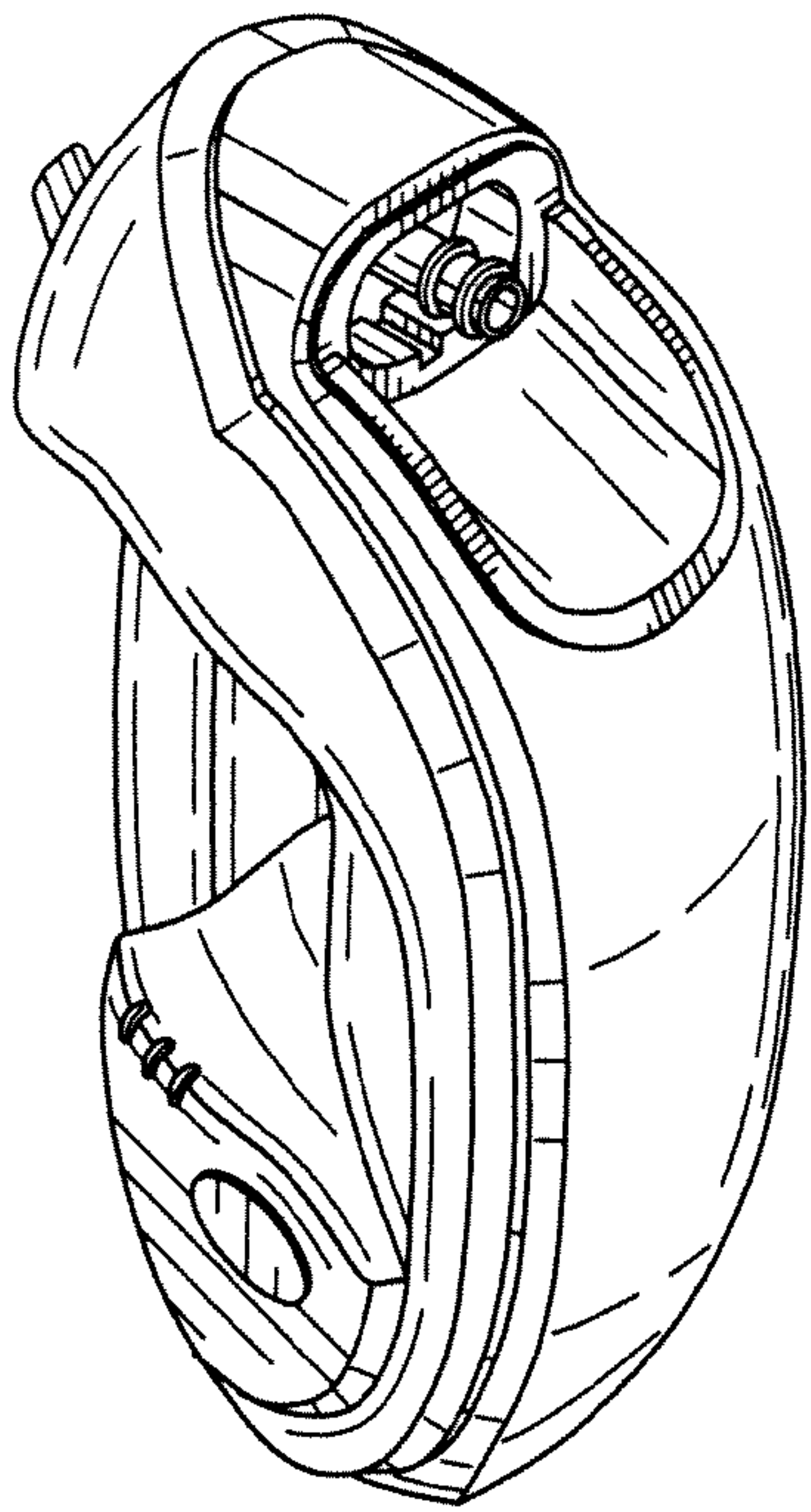
FIG. 6 is a top plan view thereof; and,

FIG. 7 is a bottom plan view thereof.

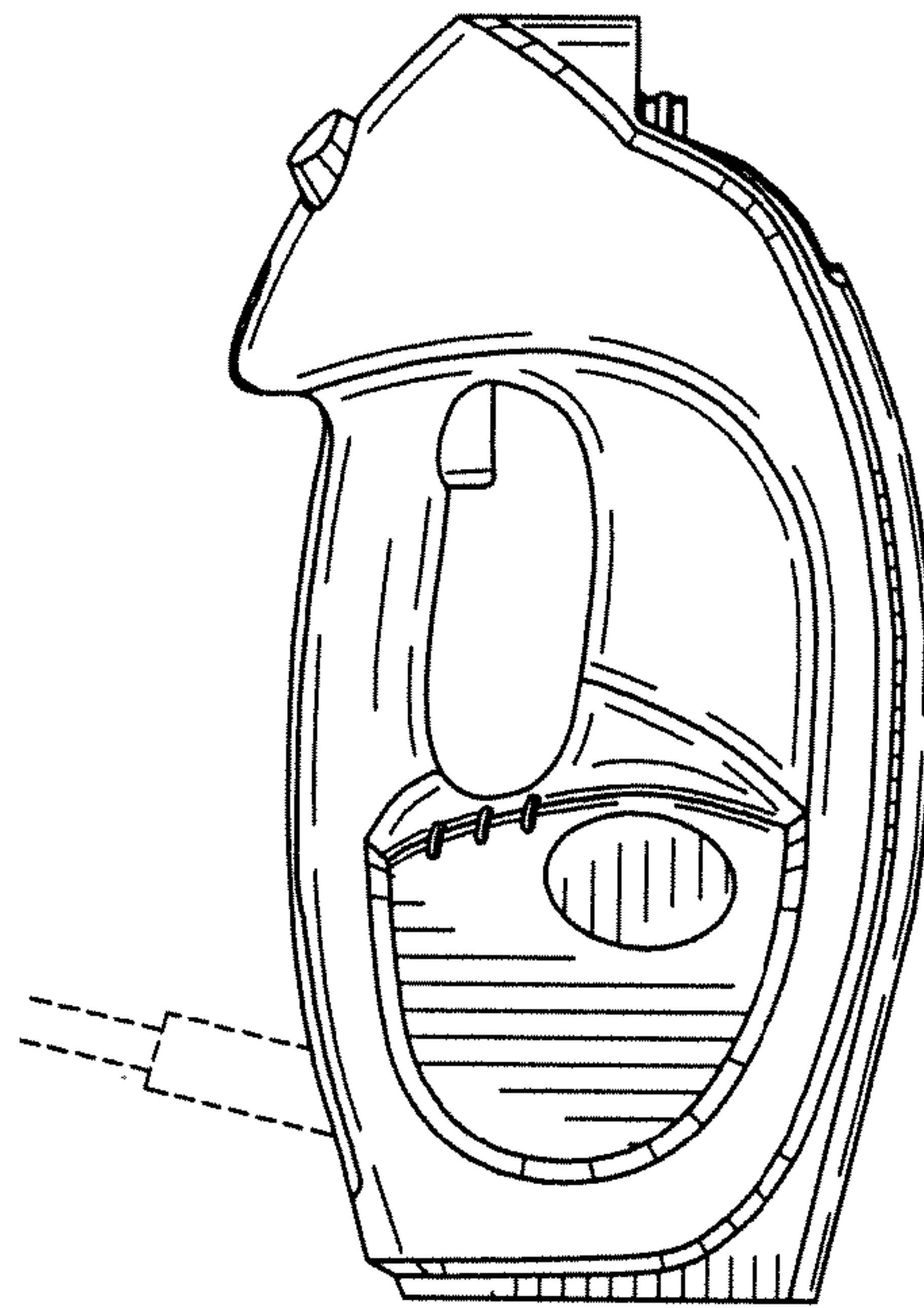
The power supply cord shown in broken lines is for illustrative purposes only and forms no part of the claimed design.

**1 Claim, 2 Drawing Sheets**

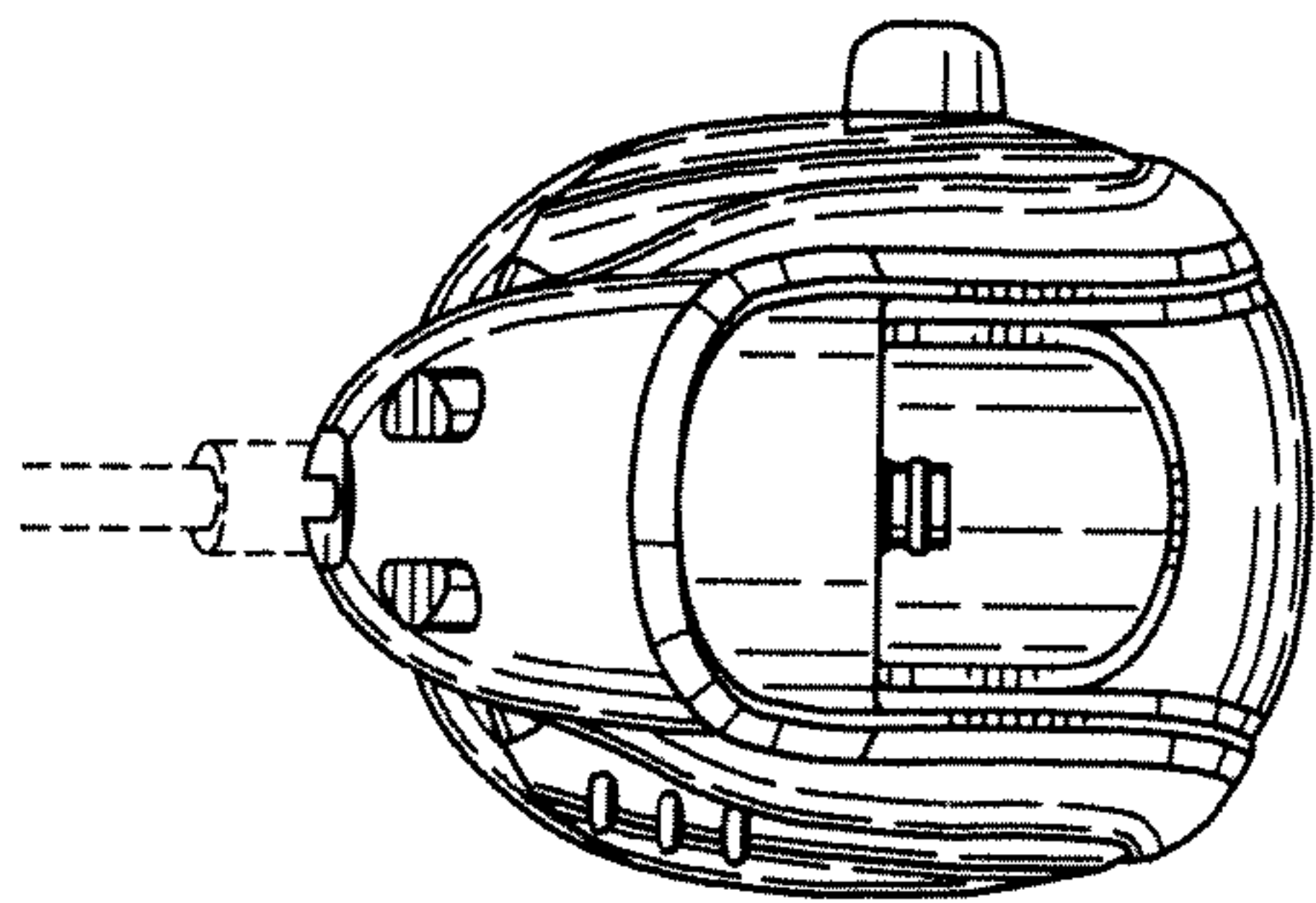




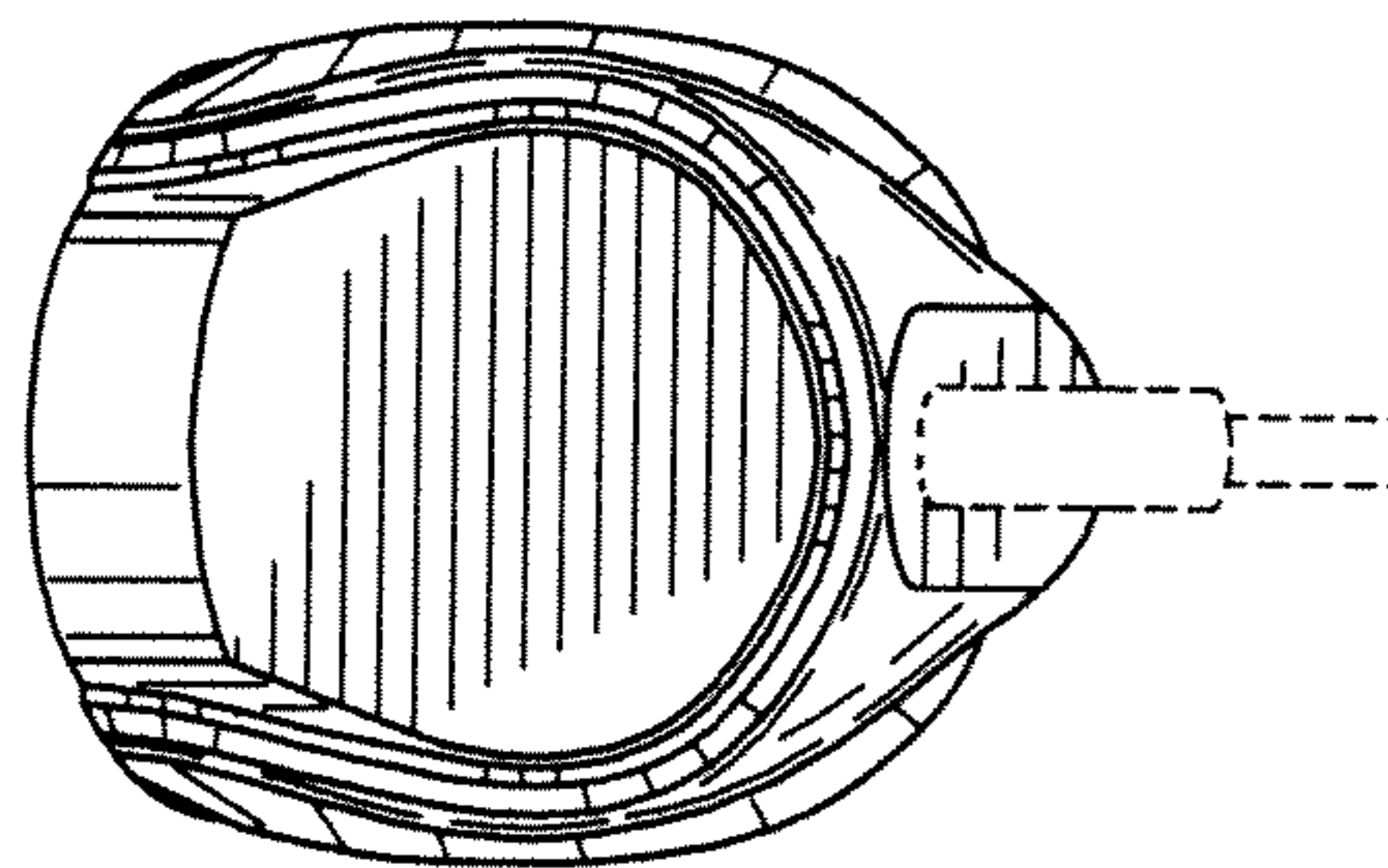
**FIG. 1**



**FIG. 2**

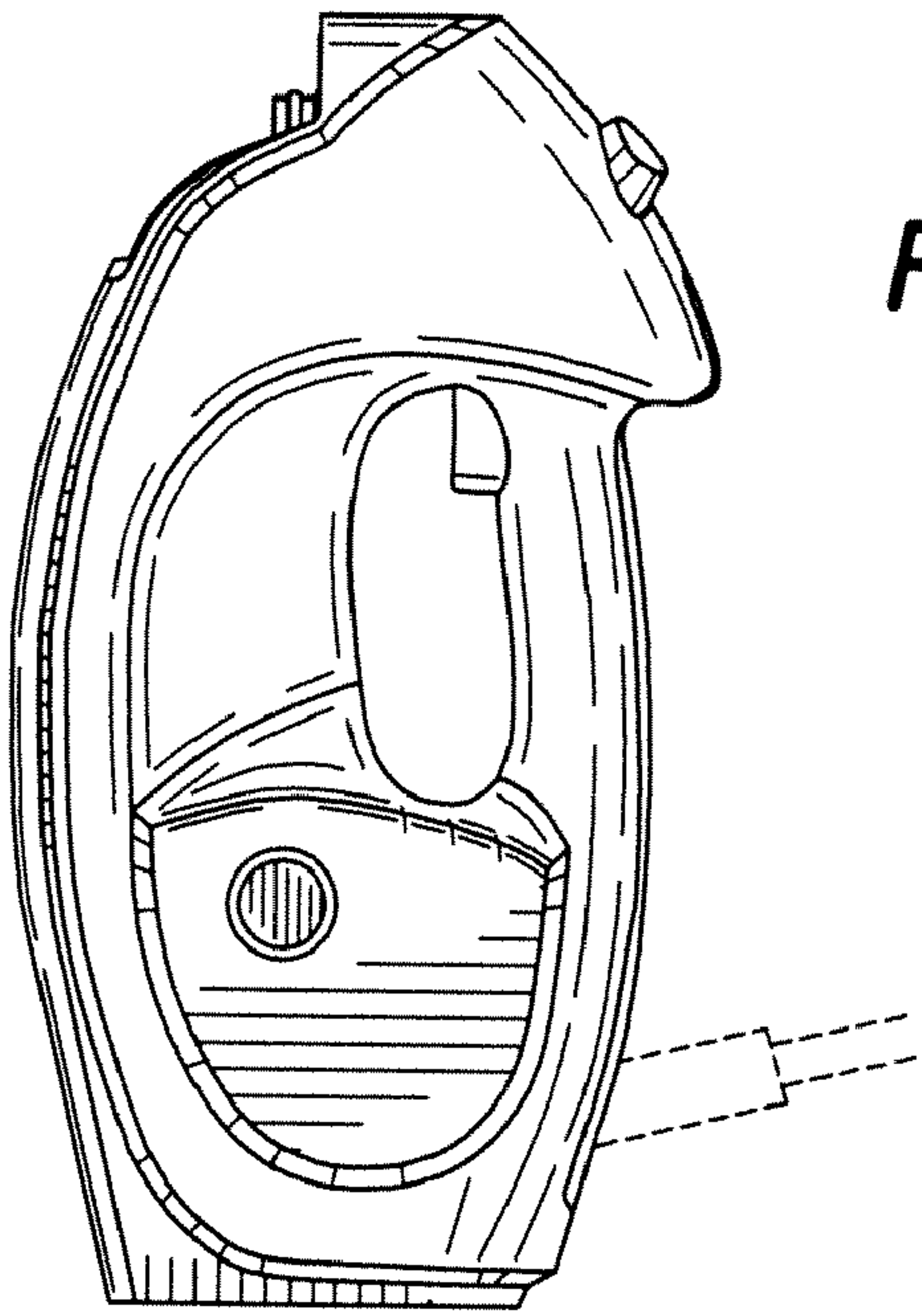


**FIG. 6**

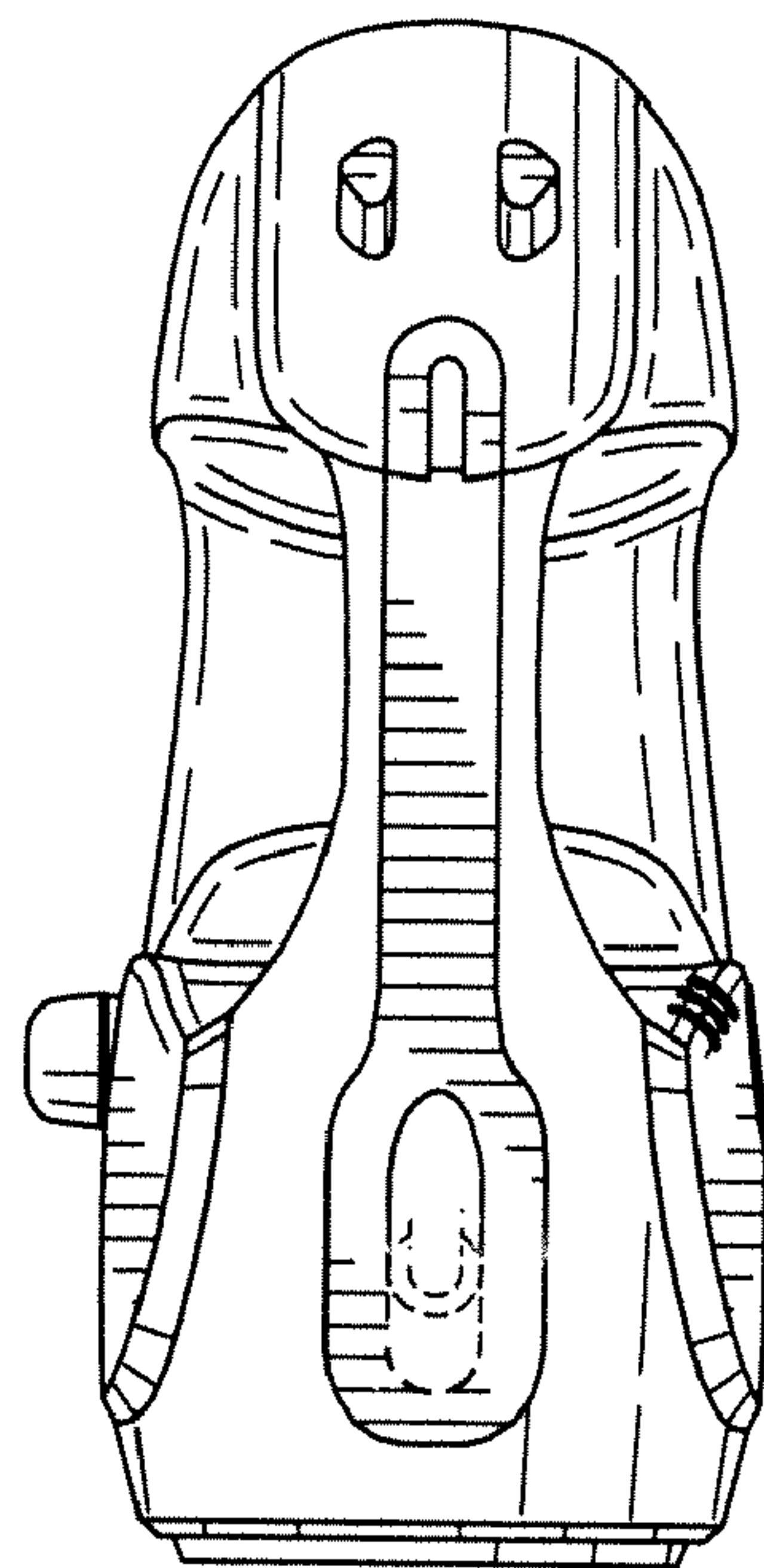


**FIG. 7**

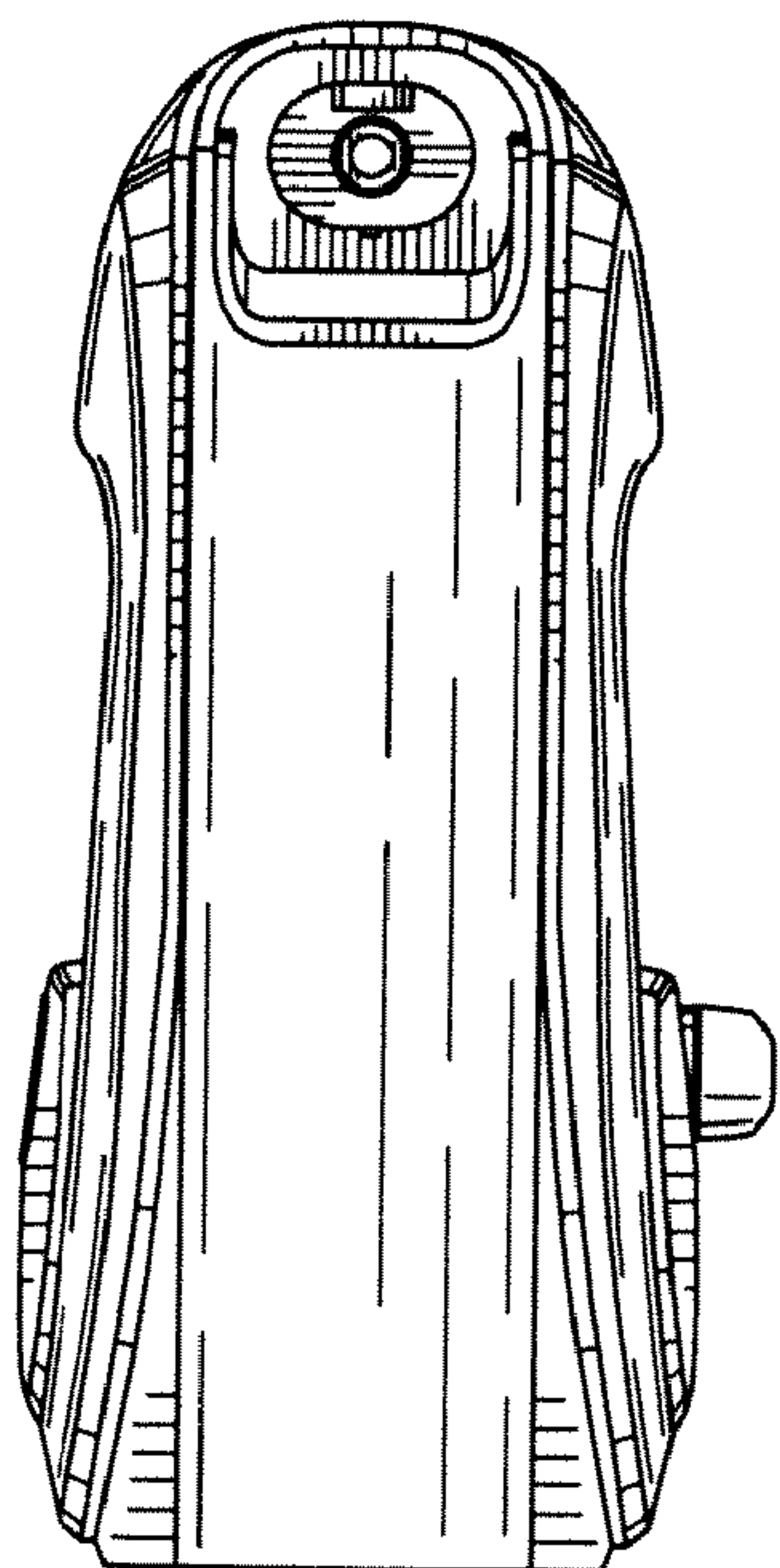




**FIG. 3**



**FIG. 4**



**FIG. 5**