



US00D646859S

(12) **United States Design Patent**  
**DeSalvo et al.**

(10) **Patent No.:** **US D646,859 S**

(45) **Date of Patent:** **\*\* Oct. 11, 2011**

(54) **WASHING MACHINE DOOR AND WINDOW**

(75) Inventors: **Thomas DeSalvo**, St. Charles, IL (US);  
**Ellen T. Glassman**, Closter, NJ (US);  
**Jason S. Silverstein**, Schaumburg, IL  
(US); **Troy Rodman**, Wheaton, IL (US);  
**Lori Wood**, Cary, IL (US); **Martin  
Olson**, Elmhurst, IL (US); **Gregg Davis**,  
Powell, OH (US); **Peter Koloski**, Upper  
Arlington, OH (US); **Anthony Ogg**,  
Northport, NY (US)

(73) Assignee: **Sears Brands, L.L.C.**, Hoffman Estates,  
IL (US)

(\*\*) Term: **14 Years**

(21) Appl. No.: **29/341,572**

(22) Filed: **Aug. 7, 2009**

(51) **LOC (9) Cl.** ..... **15-05**

(52) **U.S. Cl.** ..... **D32/25**

(58) **Field of Classification Search** ..... D32/1,  
D32/5-6, 8-9, 10, 25; 68/3 R, 5 R, 12.01,  
68/212; 34/523-524; 312/34

See application file for complete search history.

(56) **References Cited**

**U.S. PATENT DOCUMENTS**

D298,873 S \* 12/1988 Erickson et al. .... D32/5  
D536,143 S \* 1/2007 Takase et al. .... D32/5

D564,144 S \* 3/2008 Kwon ..... D32/6  
D564,145 S \* 3/2008 Kim ..... D32/6  
D571,509 S \* 6/2008 Cadamuro ..... D32/6  
D582,106 S \* 12/2008 Kim et al. .... D32/6  
D582,107 S \* 12/2008 Ha et al. .... D32/6  
D584,865 S \* 1/2009 Kim et al. .... D32/6  
D585,165 S \* 1/2009 Kim et al. .... D32/6  
D589,215 S \* 3/2009 Cho et al. .... D32/6  
D606,267 S \* 12/2009 Shor ..... D32/6  
D608,062 S \* 1/2010 Jeong et al. .... D32/6

\* cited by examiner

*Primary Examiner* — T. Chase Nelson

*Assistant Examiner* — Kathleen M Sims

(74) *Attorney, Agent, or Firm* — Greenberg Traurig, LLP

(57) **CLAIM**

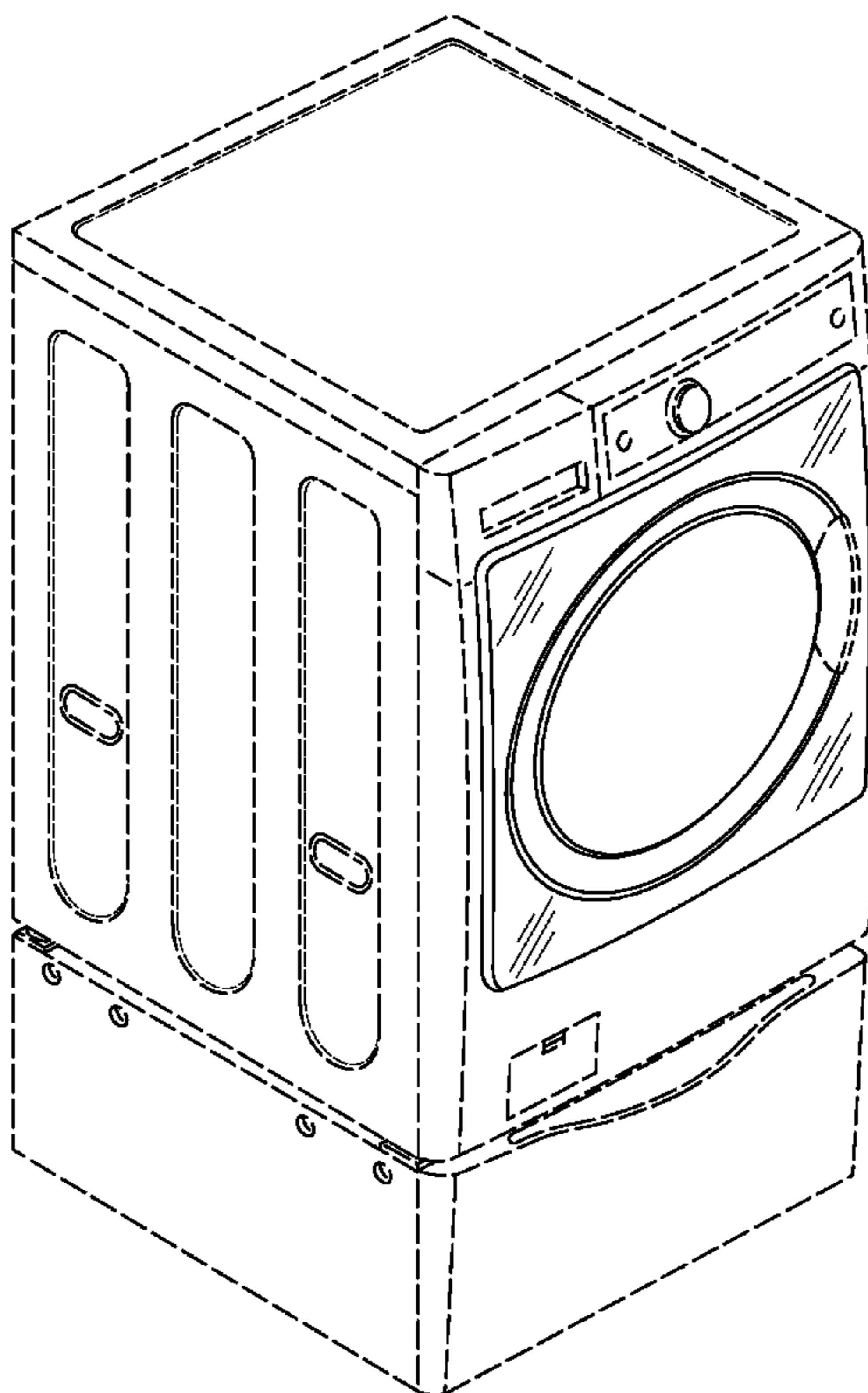
What is claimed is the ornamental design for a washing  
machine door and window, as shown and described.

**DESCRIPTION**

FIG. 1 is a perspective view of a washing machine door and  
window showing our new design;  
FIG. 2 is a front elevational view thereof;  
FIG. 3 is a rear elevational view thereof;  
FIG. 4 is a left side elevational view thereof;  
FIG. 5 is a right side elevational view thereof;  
FIG. 6 is a top plan view thereof; and,  
FIG. 7 is a bottom plan view thereof.

The elements shown in dotted lines are provided for illustra-  
tive purposes only and form no part of the design claimed.

**1 Claim, 6 Drawing Sheets**



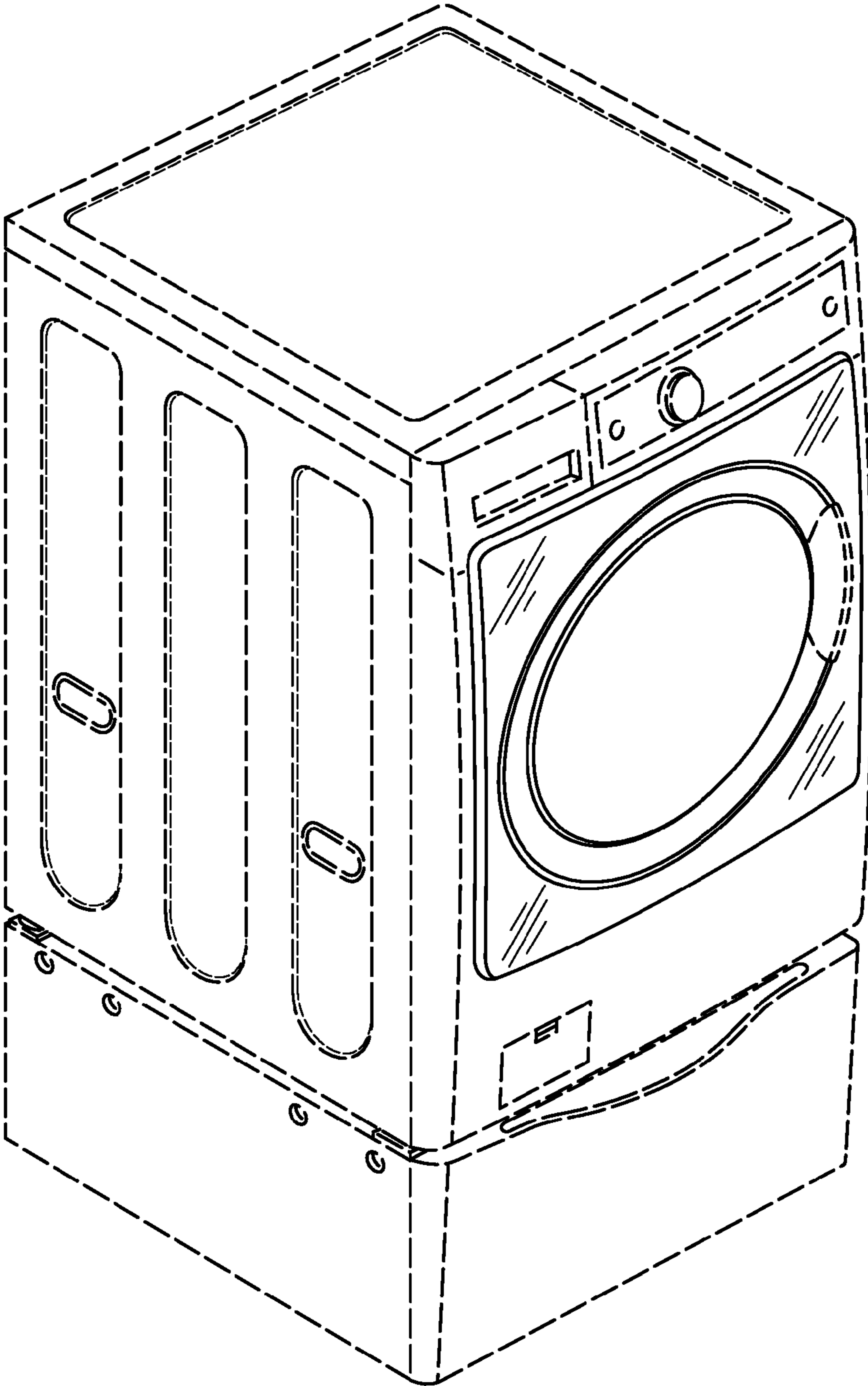


FIG. 1

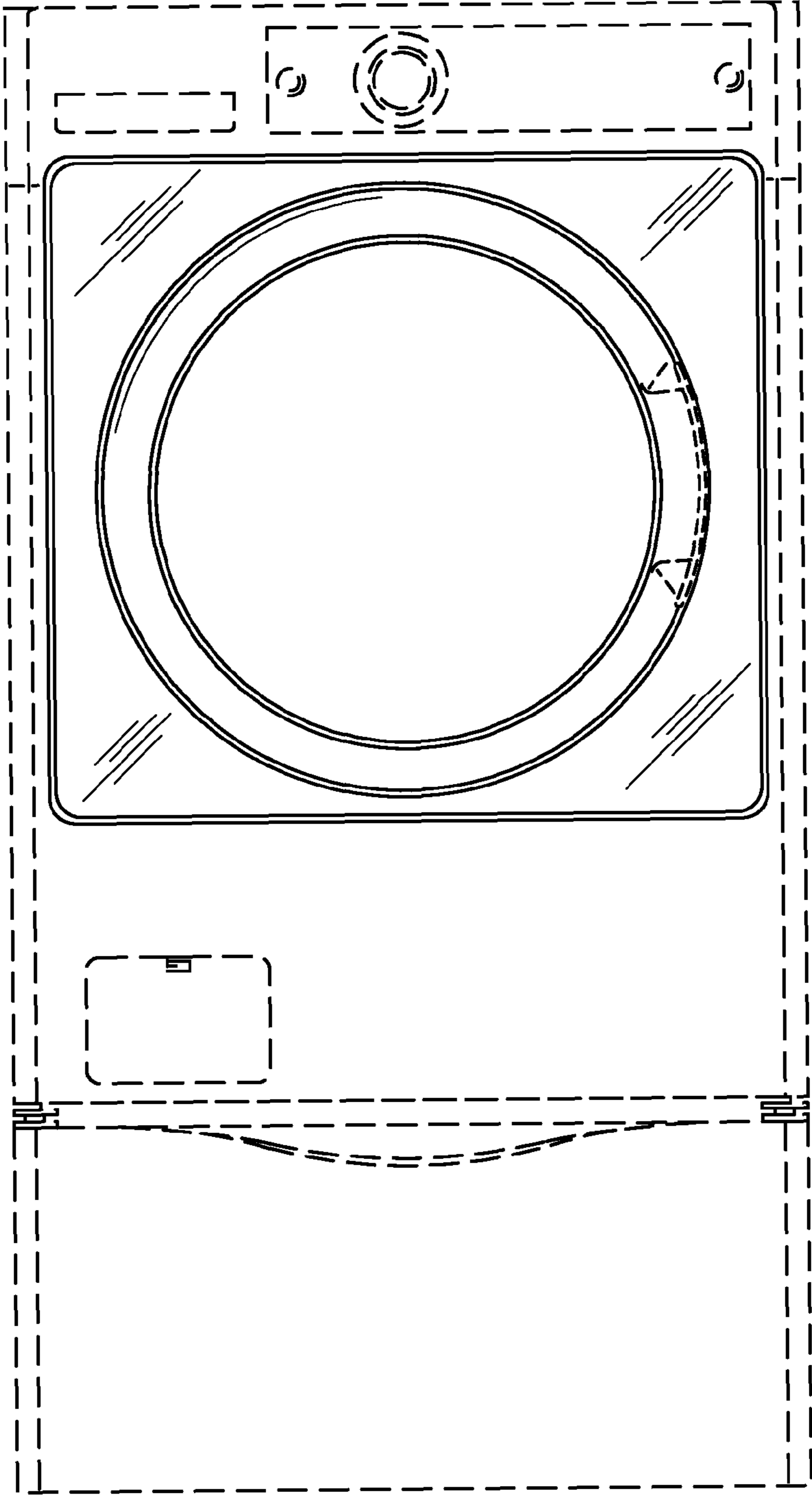


FIG. 2

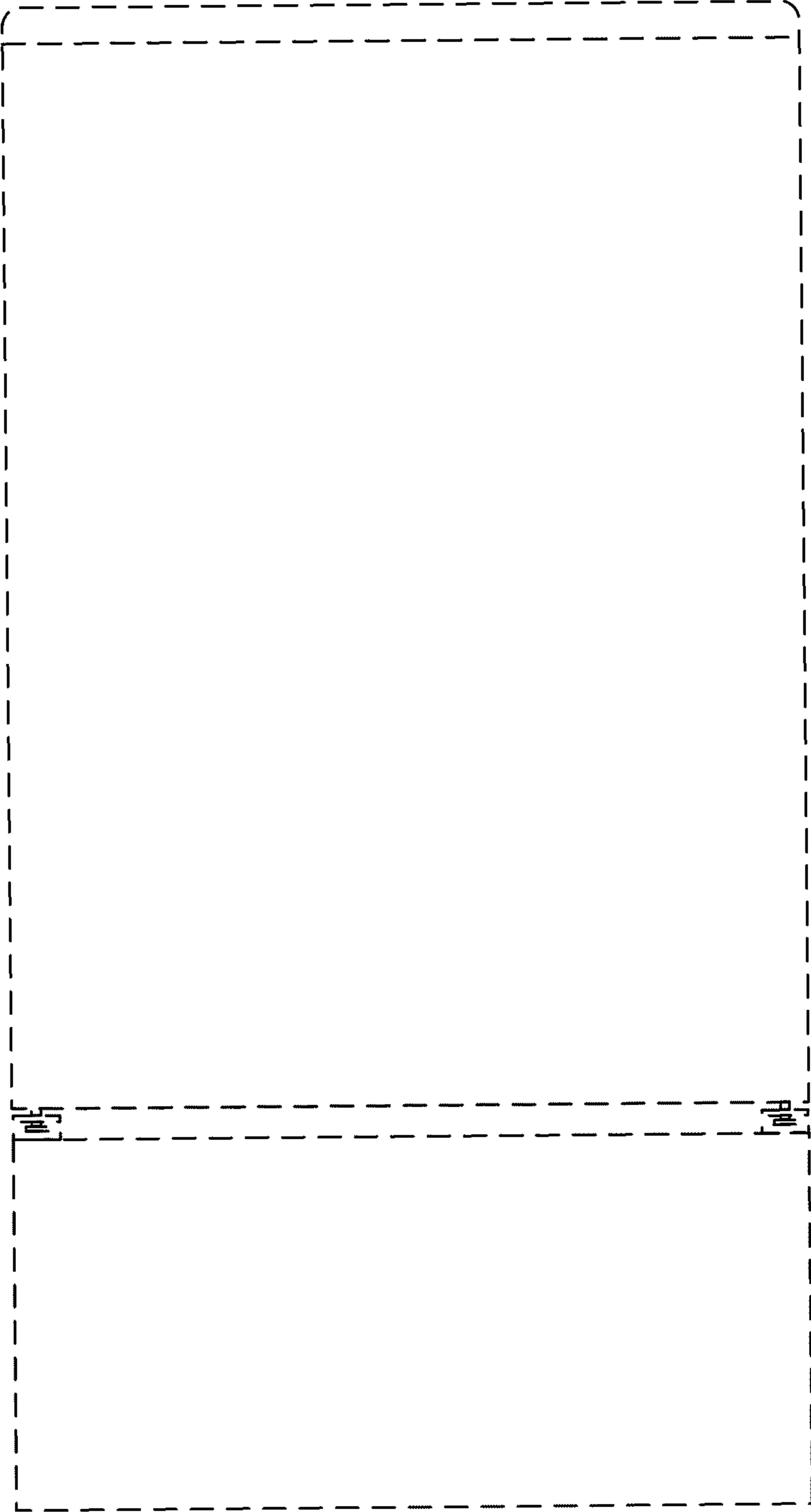


FIG. 3

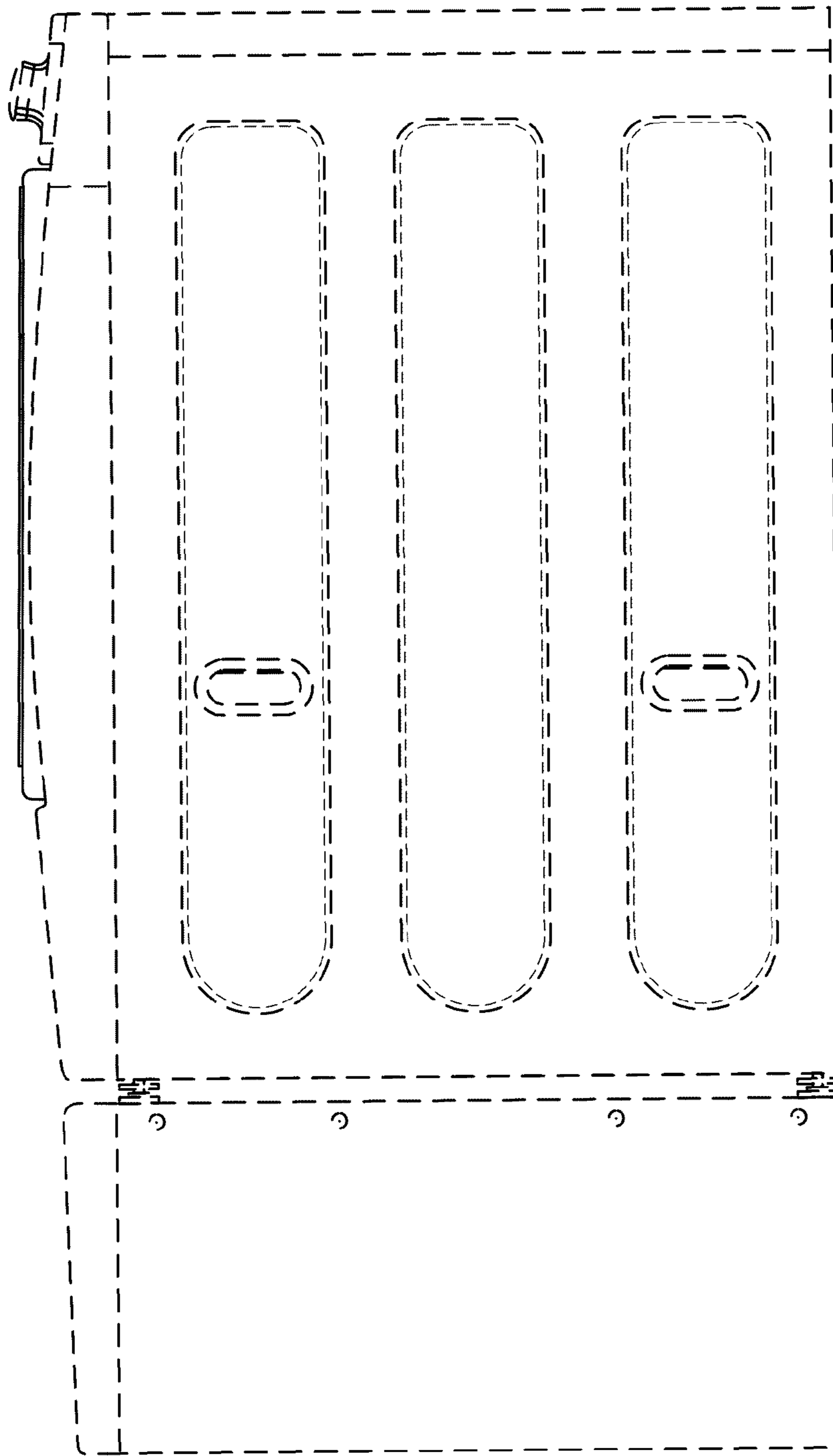


FIG. 4

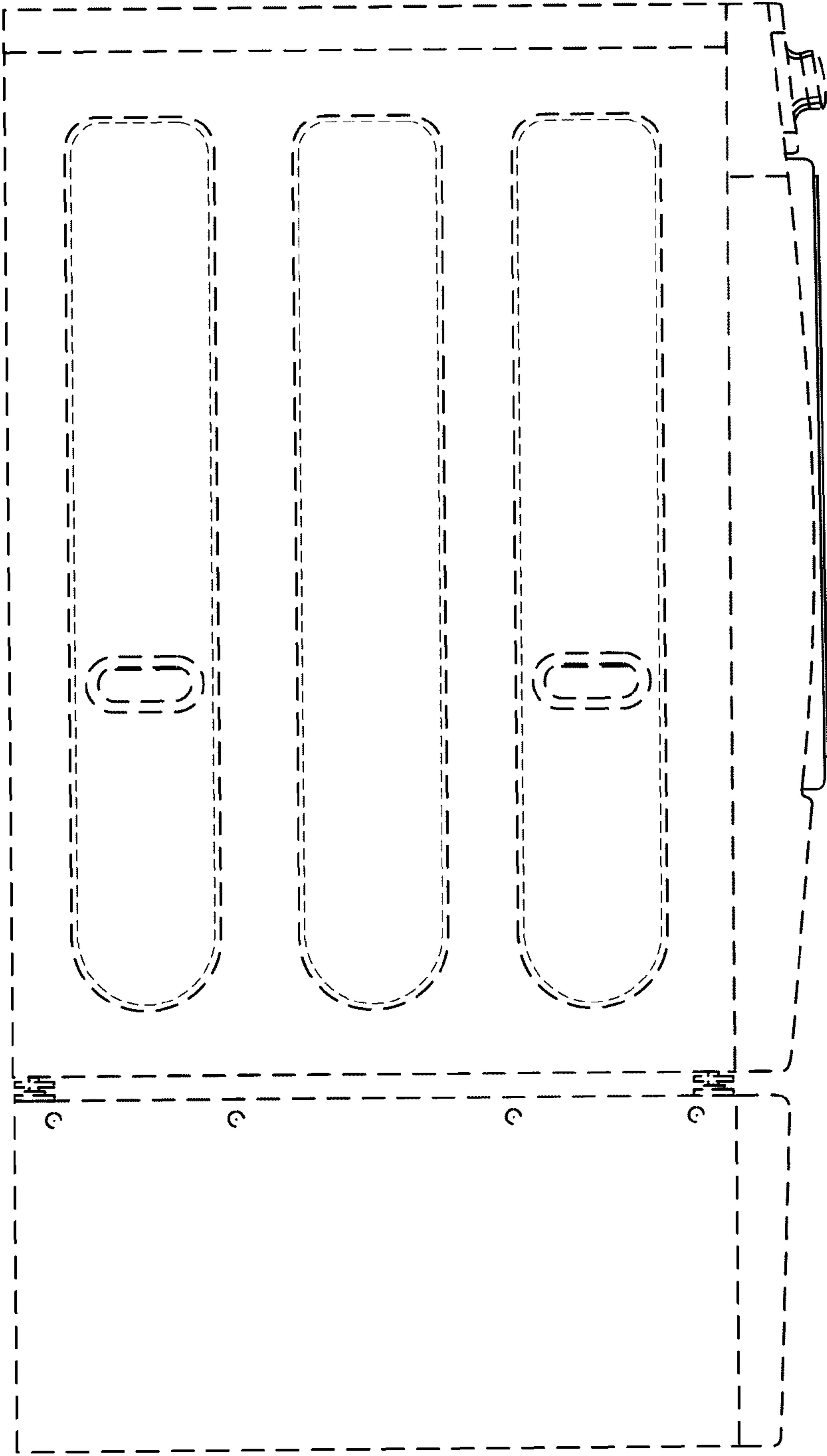


FIG. 5

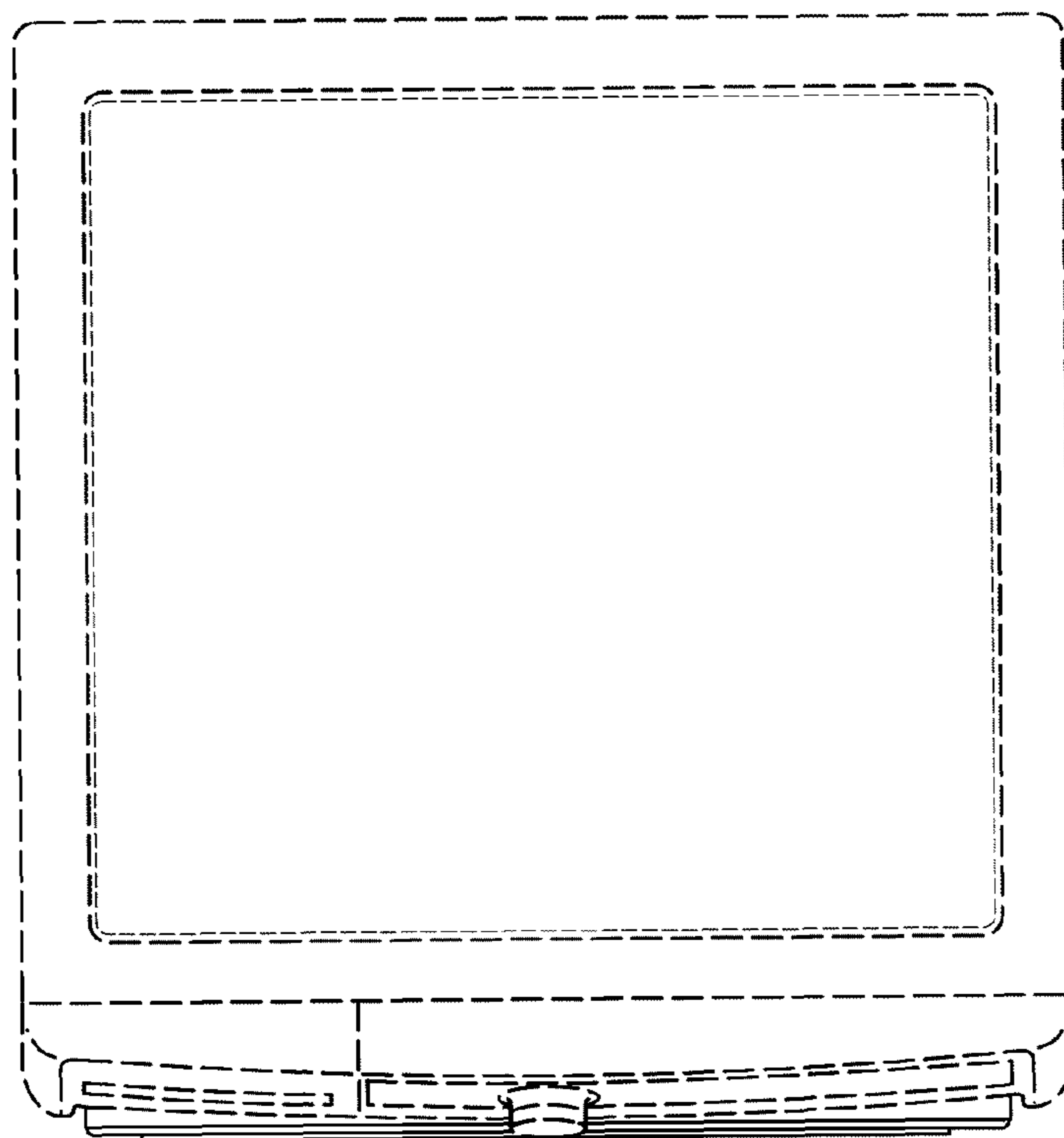


FIG. 6

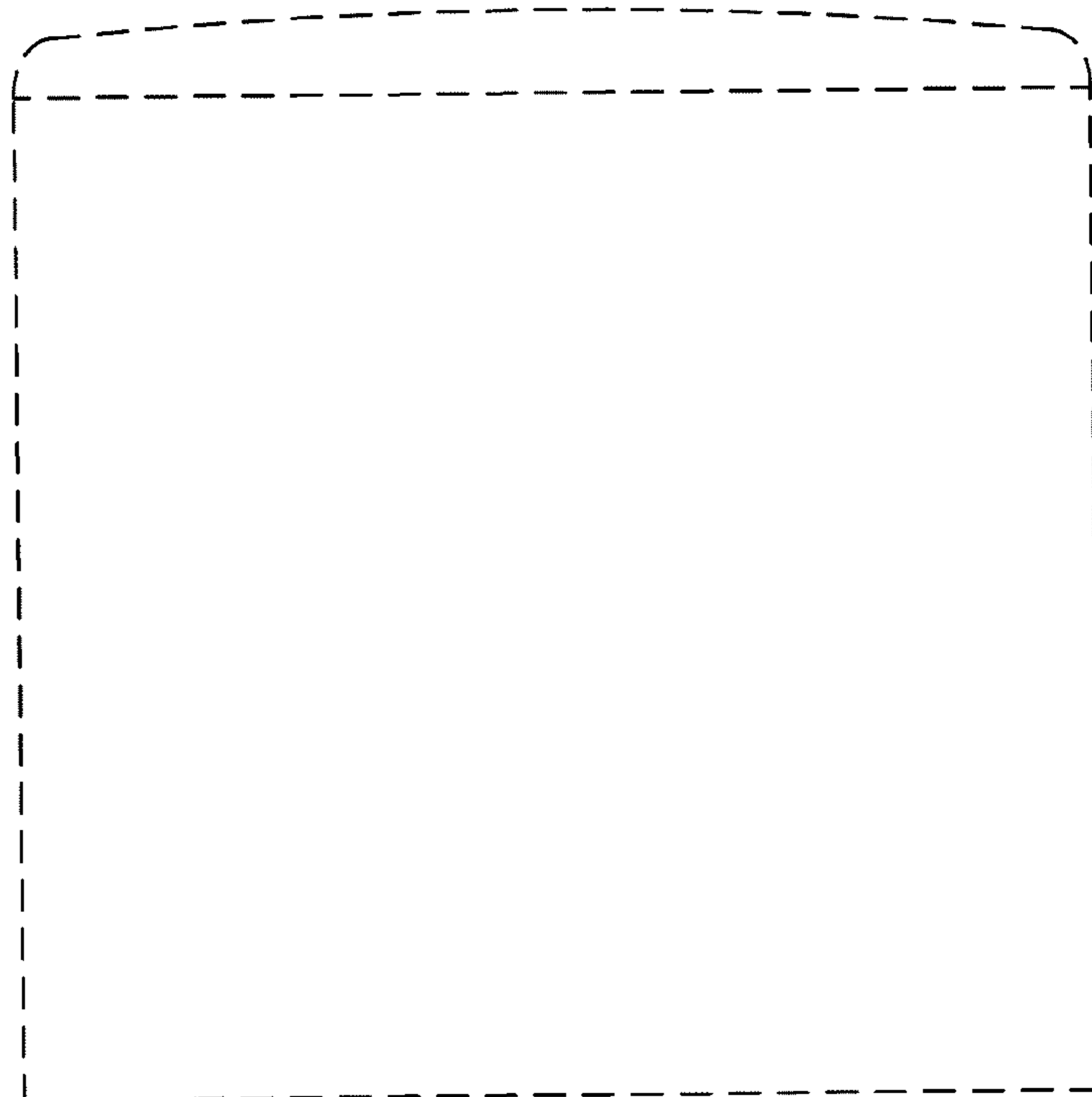


FIG. 7