



US00D646856S

(12) **United States Design Patent**
Breit et al.

(10) **Patent No.:** **US D646,856 S**

(45) **Date of Patent:** **** Oct. 11, 2011**

(54) **CLEANING APPLIANCE**

(75) Inventors: **Oliver Rudolph Breit**, Mid Levels (HK); **Ognjen Vrdoljak**, Laval (CA); **Mason Isaac Greene**, Auburn, AL (US); **Homero Garza Malacara**, Queretaro (MX); **Stephen Gatchell**, Cordova, TN (US); **Chow Hung**, Tai Po (HK)

(73) Assignee: **Euro-Pro Operating LLC**, Newton, MA (US)

(**) Term: **14 Years**

(21) Appl. No.: **29/357,532**

(22) Filed: **Mar. 12, 2010**

(51) **LOC (9) Cl.** **15-05**

(52) **U.S. Cl.** **D32/22**

(58) **Field of Classification Search** 15/231, 15/233, 246.2, 353, 50.1, 98, 118, 302, 182, 15/179, 168, 228, 319, 403, 209.1, 52.1, 15/246.3, 320-322, 415.1-422.1, 414, 412, 15/354, 362, 366, 374, 400, 327.1, 329, 41.1, 15/42, 48, 171, 176.1, 459.1, 339, 208, 372, 15/385, 115, 106; D32/45, 50-51, 17, 31-33, D32/22, 38-40, 25, 49; 401/138-139, 268; 68/222; 134/198, 105; D8/349, 382; 248/684, 248/686, 206.15; 392/404-406; 122/379

See application file for complete search history.

(56) **References Cited**

U.S. PATENT DOCUMENTS

D420,475	S	*	2/2000	Yuen	D32/22
D436,699	S	*	1/2001	Makihara et al.	D32/22
6,571,421	B1	*	6/2003	Sham et al.	15/320
D482,506	S	*	11/2003	Honda et al.	D32/22
D515,259	S	*	2/2006	Maruyama et al.	D32/22
D521,699	S	*	5/2006	Greene et al.	D32/22
7,137,169	B2	*	11/2006	Murphy et al.	15/320
D553,813	S	*	10/2007	Parr et al.	D32/22
7,380,307	B2	*	6/2008	Tsai	15/320
D608,962	S	*	1/2010	Reese et al.	D32/22
2004/0134022	A1	*	7/2004	Murphy et al.	15/353

* cited by examiner

Primary Examiner — Ruth McInroy

(74) *Attorney, Agent, or Firm* — Wold, Greenfield & Sacks, P.C.

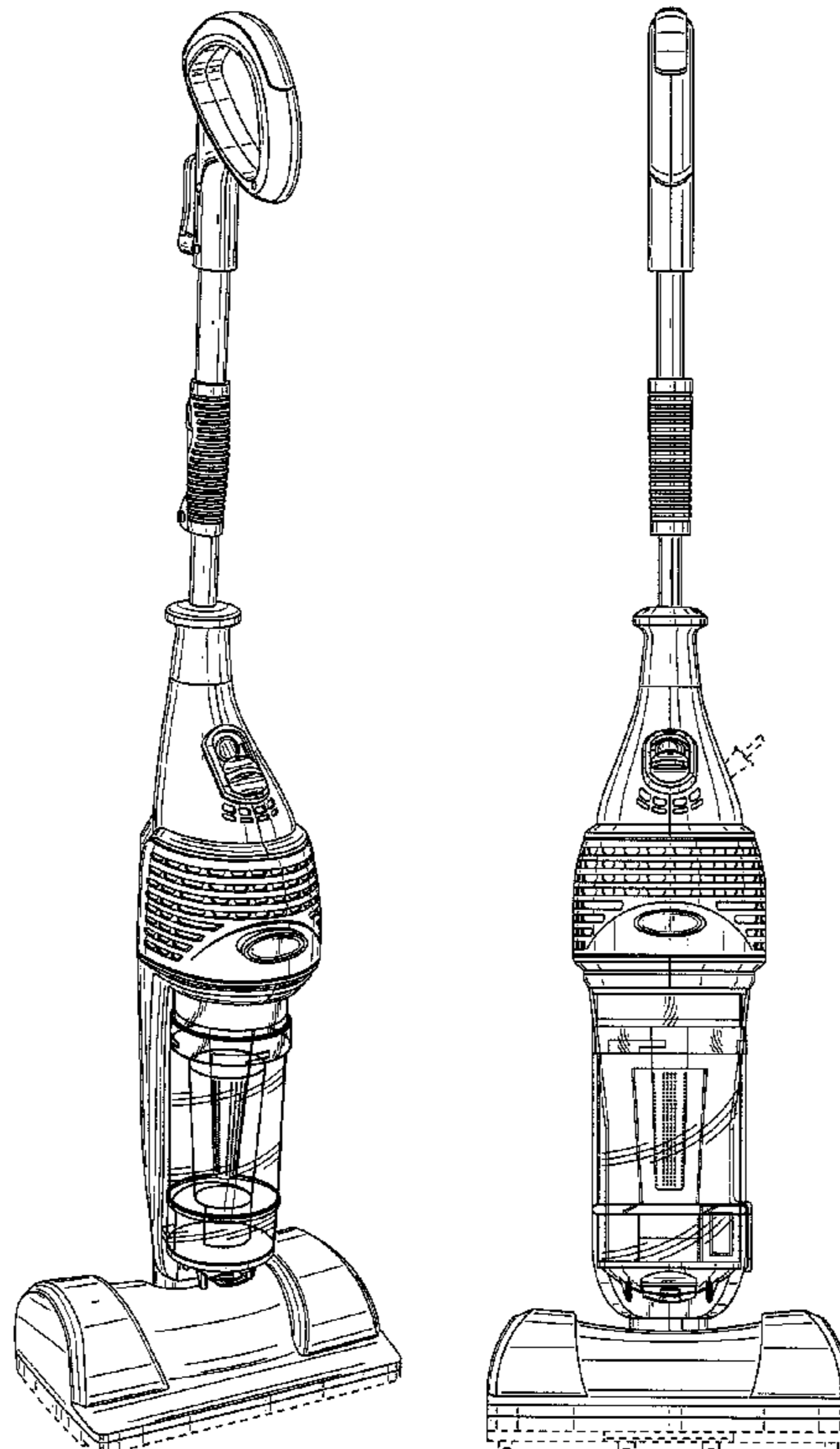
(57) **CLAIM**

We claim the ornamental design for a cleaning appliance, as shown and described.

DESCRIPTION

FIG. 1 is a top, front and left side perspective view of a cleaning appliance showing our new design; FIG. 2 is a front elevational view thereof; FIG. 3 is a rear elevational view thereof; FIG. 4 is a left side elevational view thereof; FIG. 5 is a right side elevational view thereof; FIG. 6 is a top plan view thereof; and, FIG. 7 is a bottom plan view thereof. The broken lines shown are included for illustrative purposes only form no part of the claimed design.

1 Claim, 7 Drawing Sheets



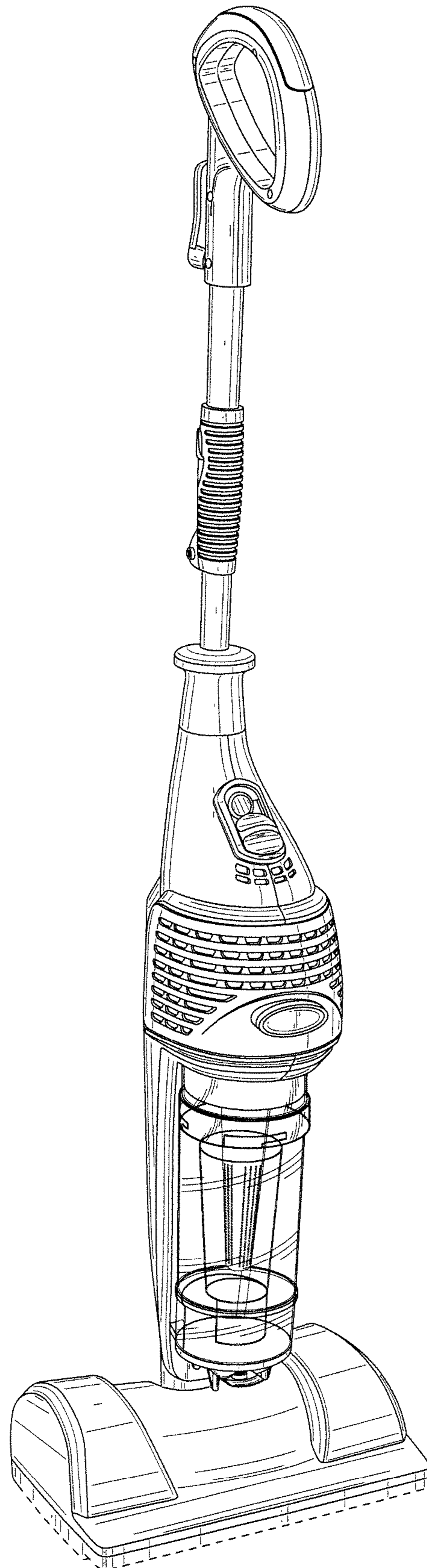


FIG. 1

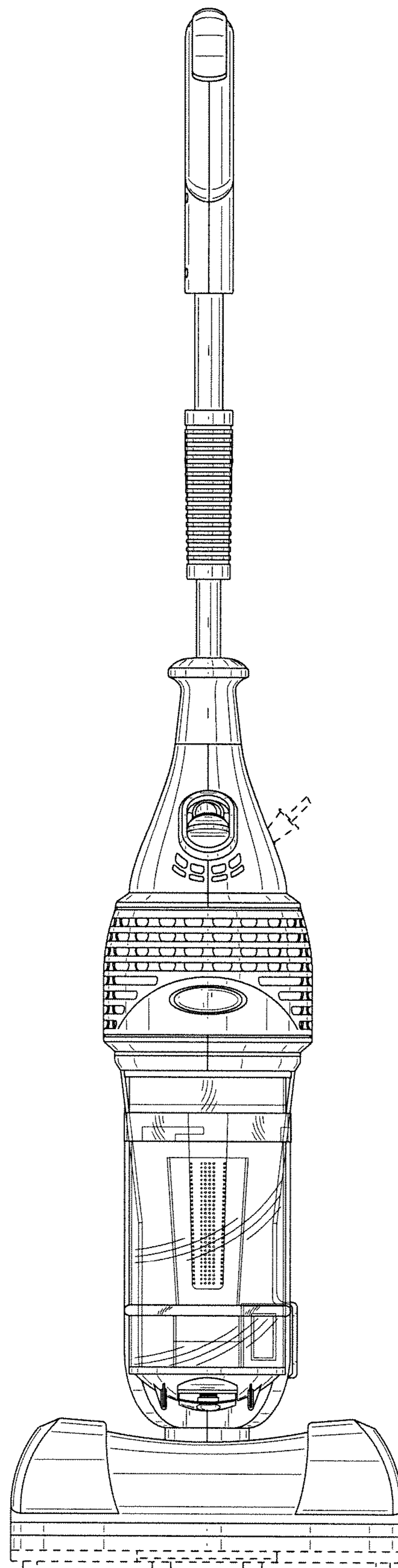


FIG. 2

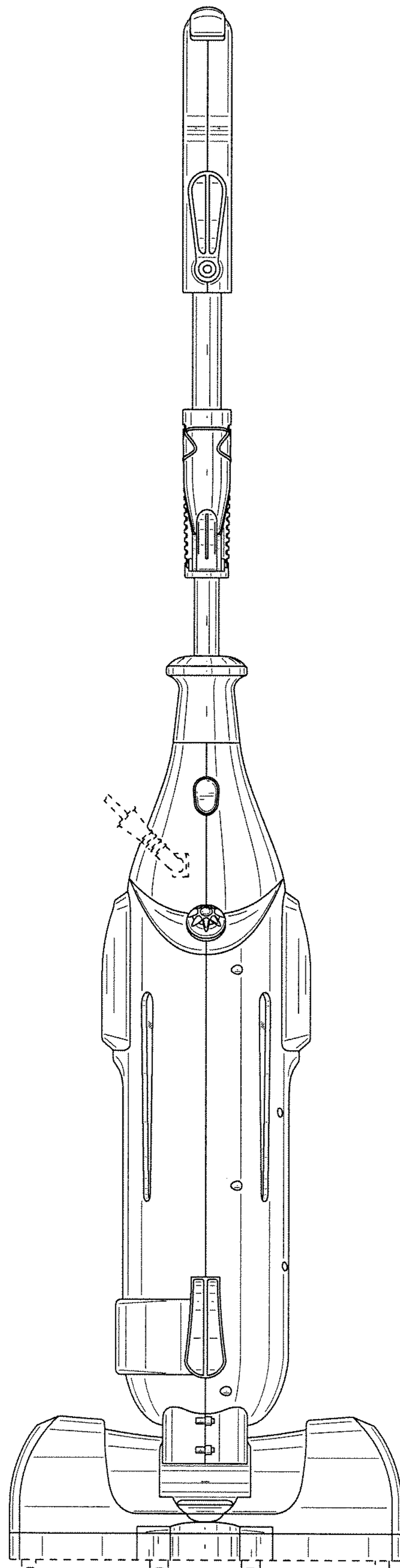


FIG. 3

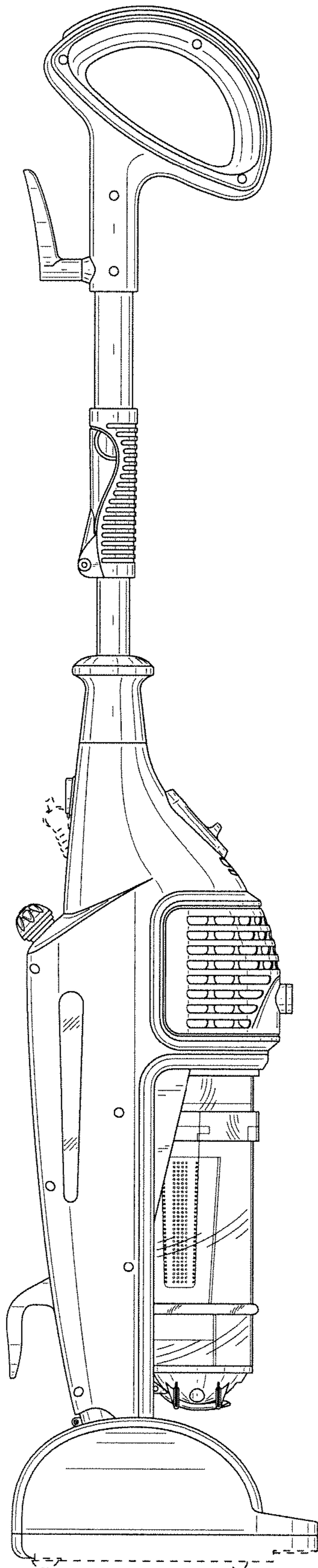


FIG. 4

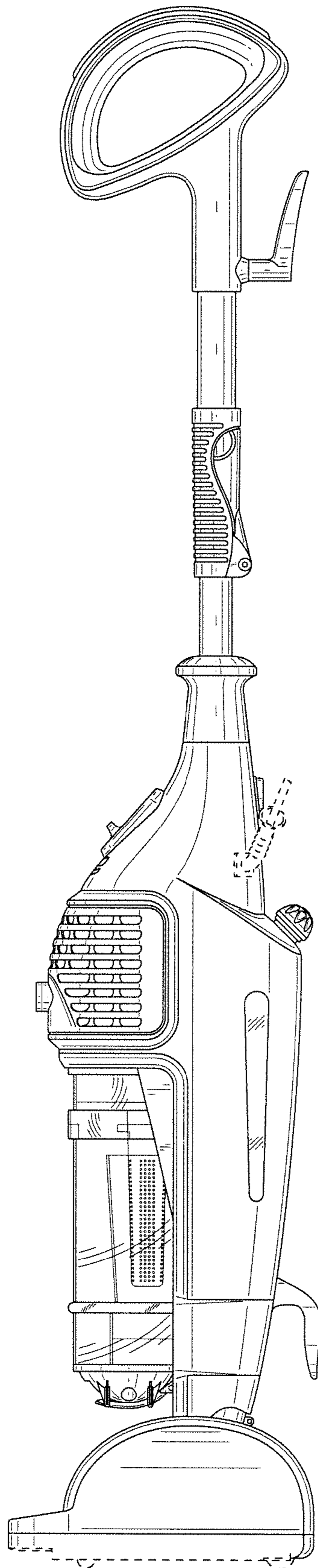


FIG. 5

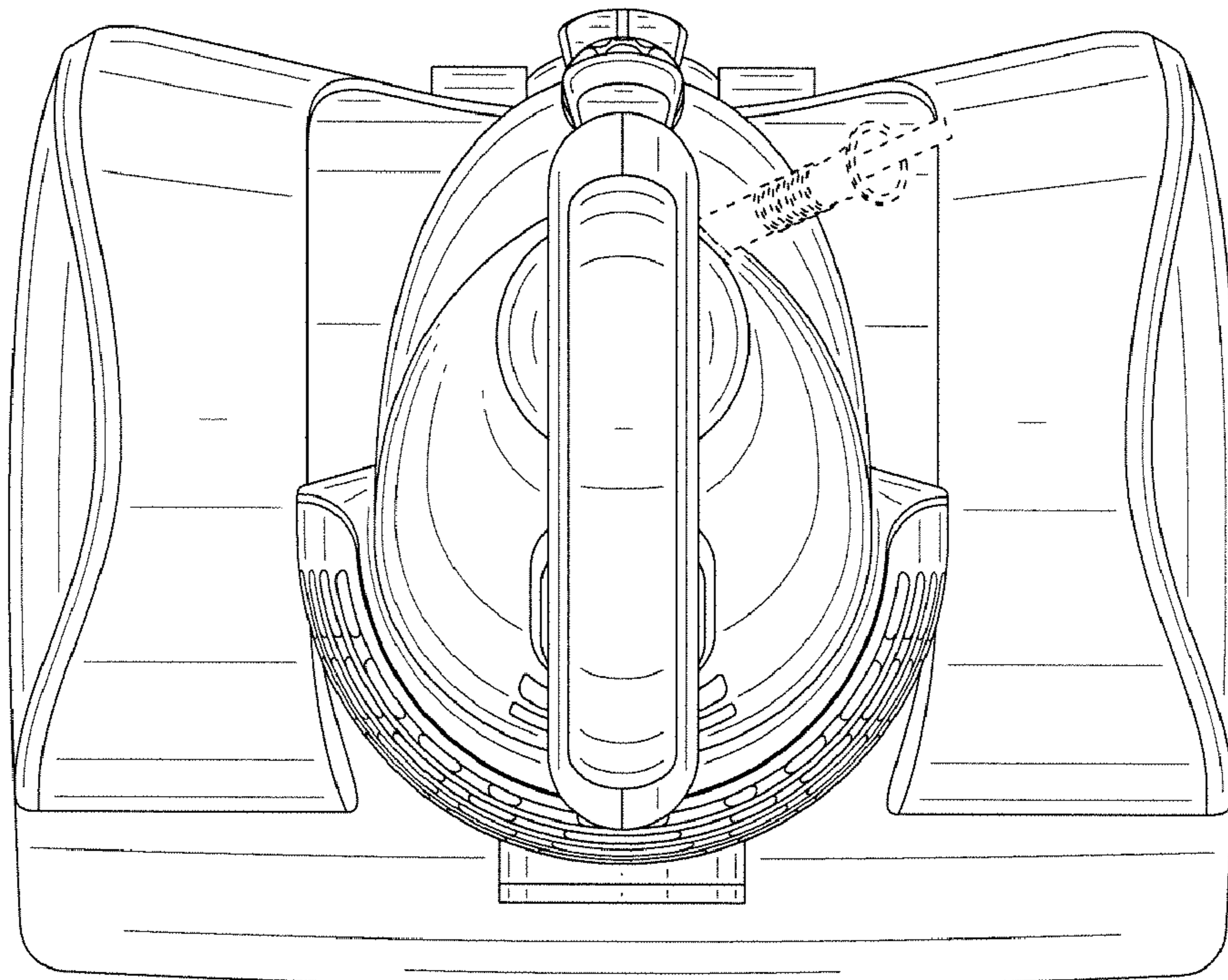


FIG. 6

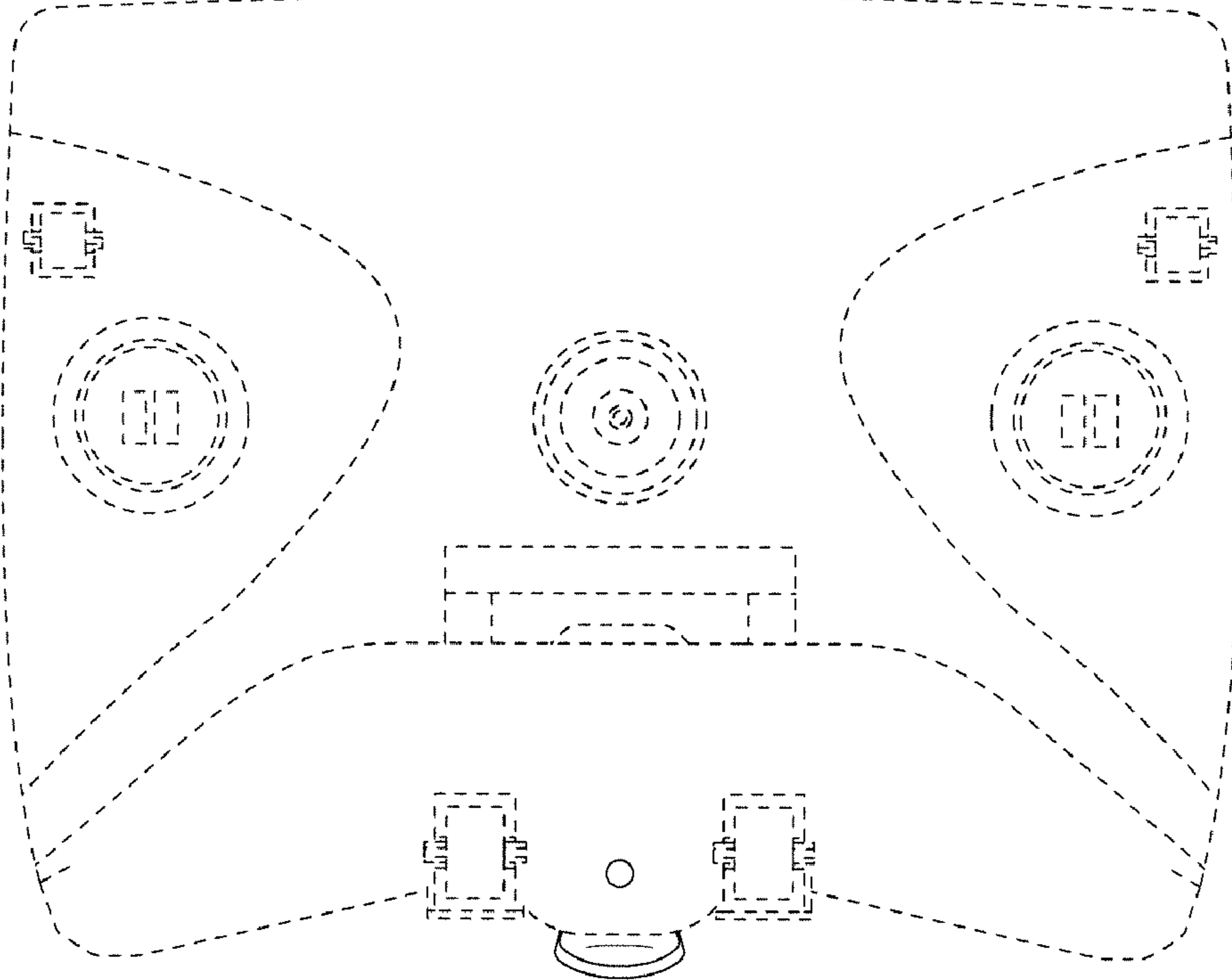


FIG. 7