



US00D646855S

(12) **United States Design Patent**  
**Kim et al.**

(10) **Patent No.:** **US D646,855 S**

(45) **Date of Patent:** **\*\* Oct. 11, 2011**

(54) **VACUUM CLEANER**

(75) Inventors: **Joo Hyung Kim**, Pusan (KR); **Kang Doo Kim**, Kyunggi-do (KR); **Eun Sun Lim**, Seoul (KR); **Hyun Il Lee**, Seoul (KR); **Dae Kyun Lee**, Seoul (KR)

(73) Assignee: **Samsung Electronics Co., Ltd**, Suwon-Si (KR)

(\*\*) Term: **14 Years**

(21) Appl. No.: **29/355,750**

(22) Filed: **Feb. 12, 2010**

(51) **LOC (9) Cl.** ..... **15-05**

(52) **U.S. Cl.** ..... **D32/21**

(58) **Field of Classification Search** ..... D32/21-24,  
D32/31; 15/327.1-327.7, 329, 412, 320-321;  
55/DIG. 3, 345, 357, 429, 271; 95/271  
See application file for complete search history.

(56) **References Cited**

**U.S. PATENT DOCUMENTS**

D378,452 S *	3/1997	Kohler et al.	.....	D32/21
D394,527 S *	5/1998	Pochopien et al.	.....	D32/21
D399,617 S *	10/1998	Fujita	.....	D32/21
D417,046 S *	11/1999	Tsuruha et al.	.....	D32/21
D455,875 S *	4/2002	Lee	.....	D32/21
D456,101 S *	4/2002	Lee	.....	D32/21
D485,653 S *	1/2004	Warburton	.....	D32/21

D518,609 S *	4/2006	Ågren et al.	.....	D32/21
D520,196 S *	5/2006	Liu	.....	D32/21
D520,198 S *	5/2006	Sung	.....	D32/21
D523,194 S *	6/2006	Choi	.....	D32/21
D539,492 S *	3/2007	Konno	.....	D32/21
D553,811 S *	10/2007	Shin	.....	D32/21
D556,398 S *	11/2007	Shin	.....	D32/21
D556,399 S *	11/2007	Shin	.....	D32/21
D559,482 S *	1/2008	Jansson et al.	.....	D32/21
D584,462 S *	1/2009	Umeda et al.	.....	D32/21
D600,415 S *	9/2009	Svantesson	.....	D32/21
D626,709 S *	11/2010	Fjellman	.....	D32/21

\* cited by examiner

*Primary Examiner* — Ruth McInroy

(74) *Attorney, Agent, or Firm* — Ladas & Parry LLP

(57) **CLAIM**

We claim the ornamental design for a vacuum cleaner, as shown and described.

**DESCRIPTION**

FIG. 1 is a top, front and right-side perspective view of a vacuum cleaner showing our new design; FIG. 2 is a front elevational view thereof; FIG. 3 is a rear elevational view thereof; FIG. 4 is a left-side elevational view thereof; FIG. 5 is a right-side elevational view thereof; FIG. 6 is a top plan view thereof; and, FIG. 7 is a bottom plan view thereof.

**1 Claim, 5 Drawing Sheets**

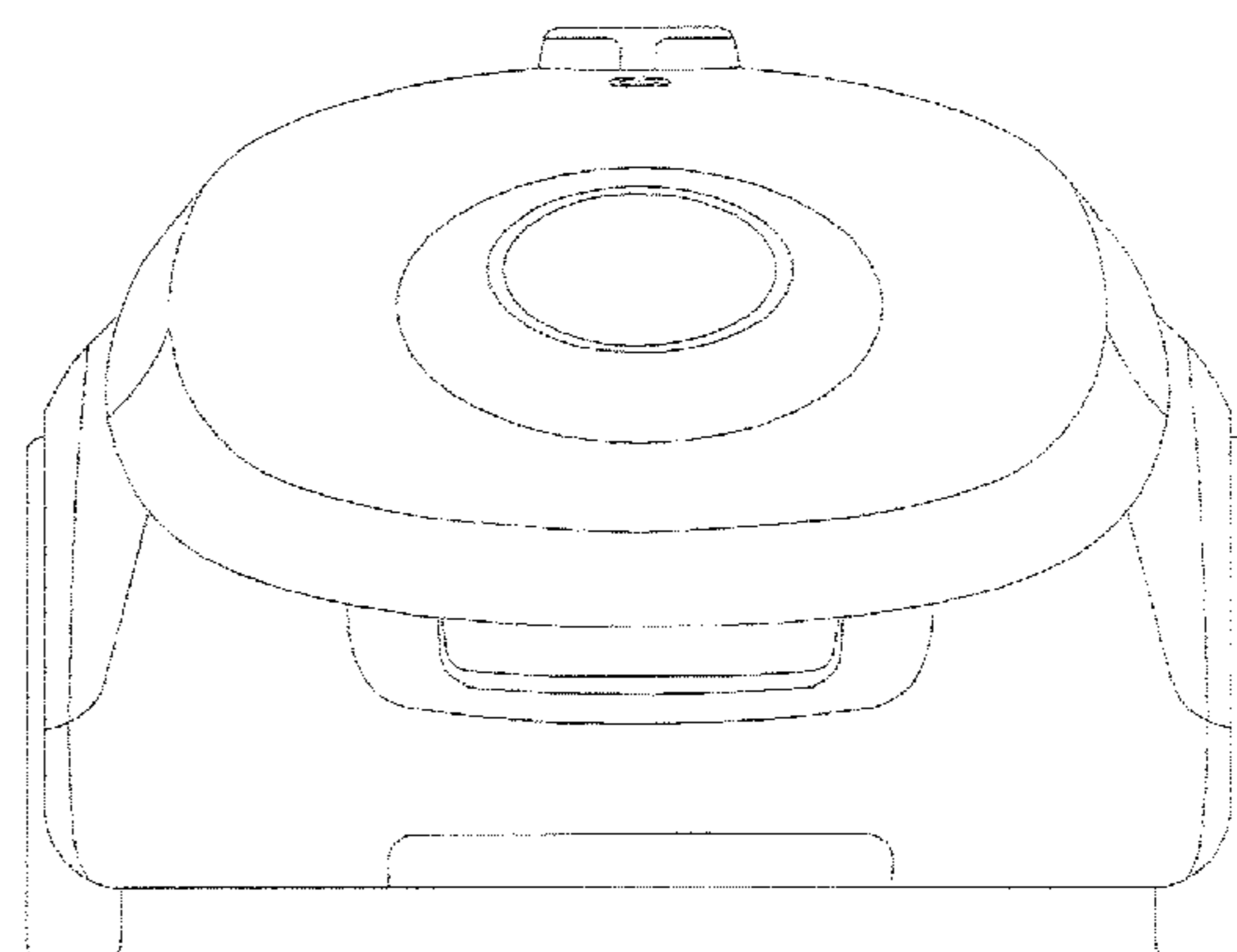
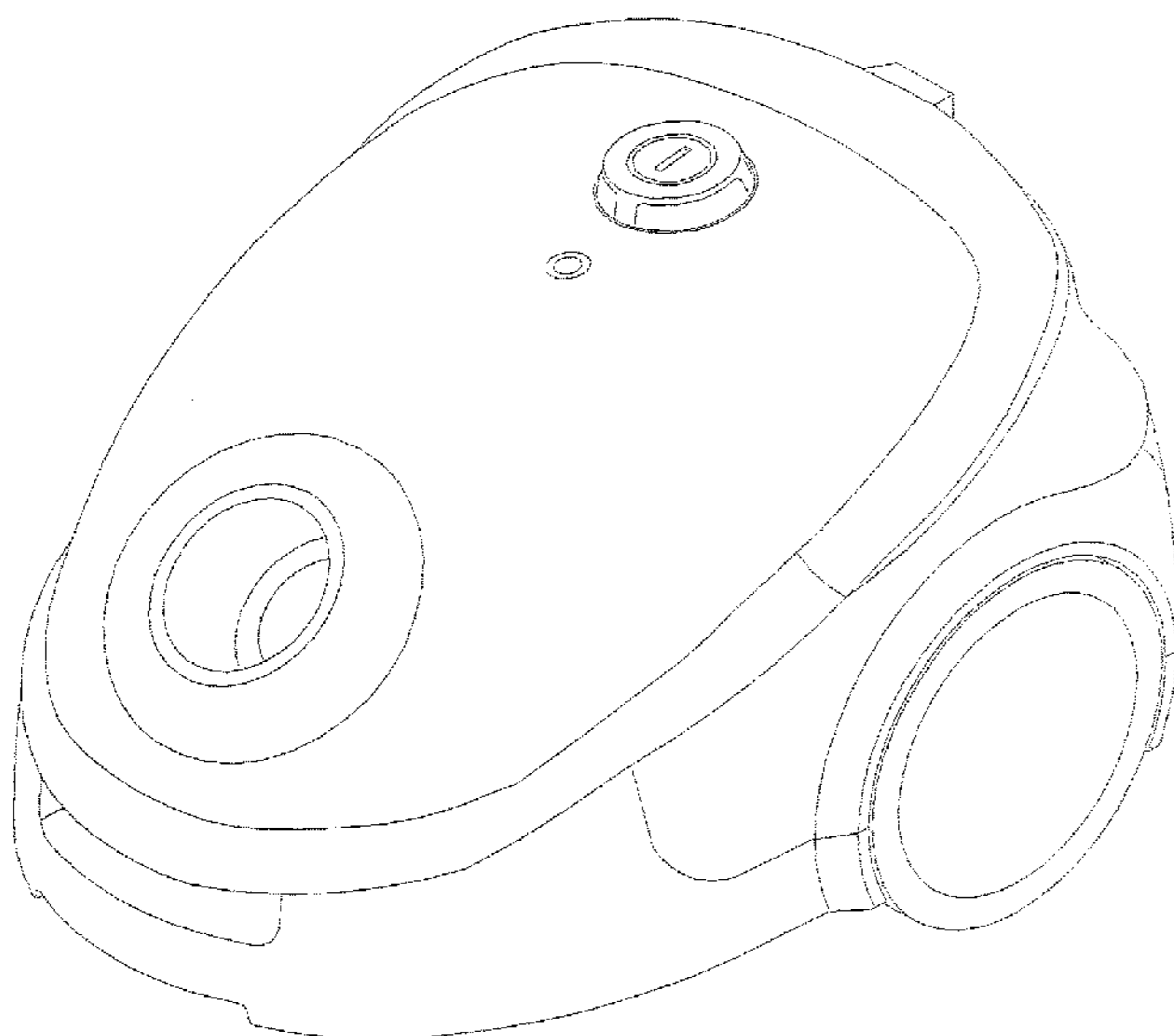


FIG. 1

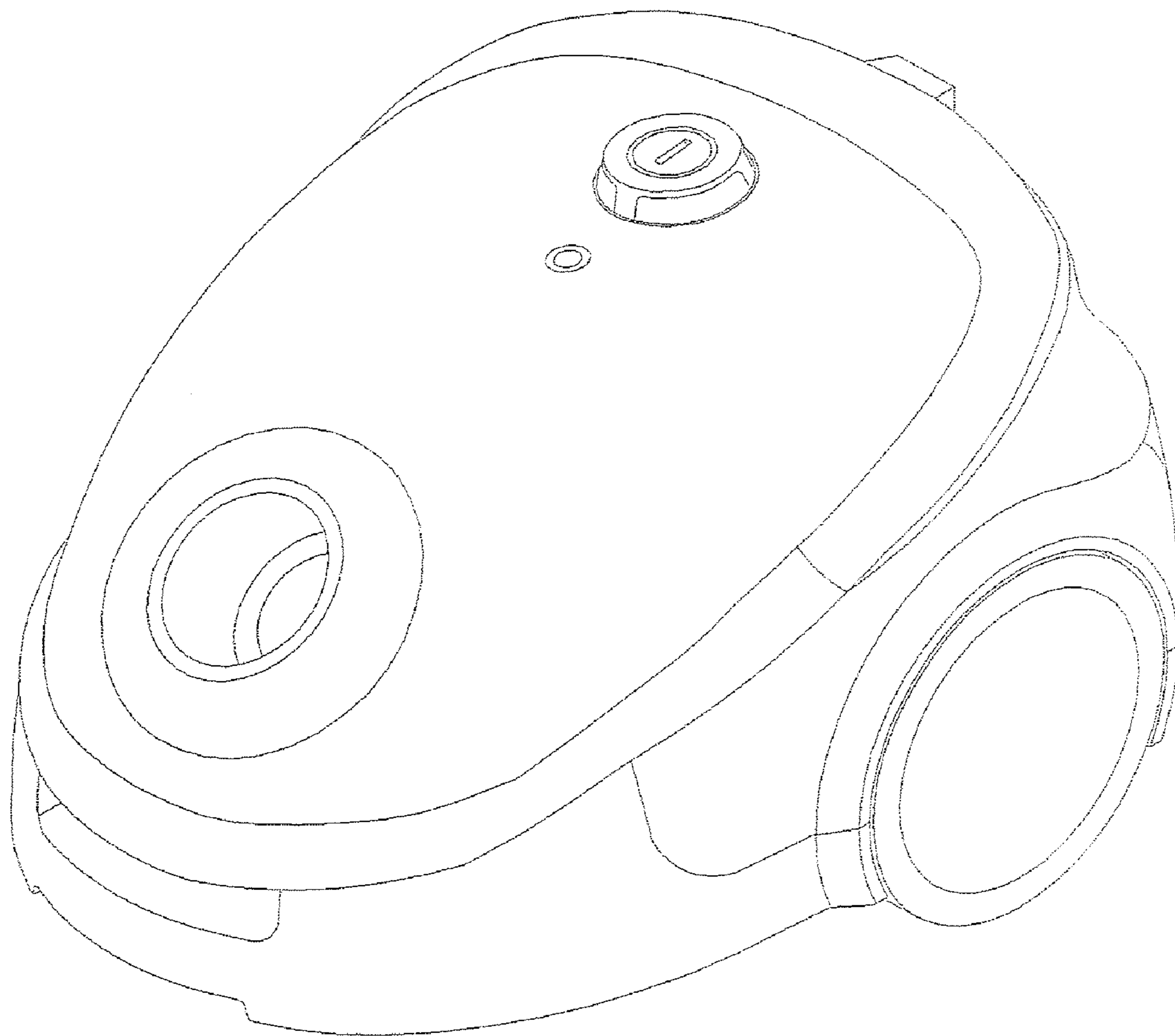


FIG. 2

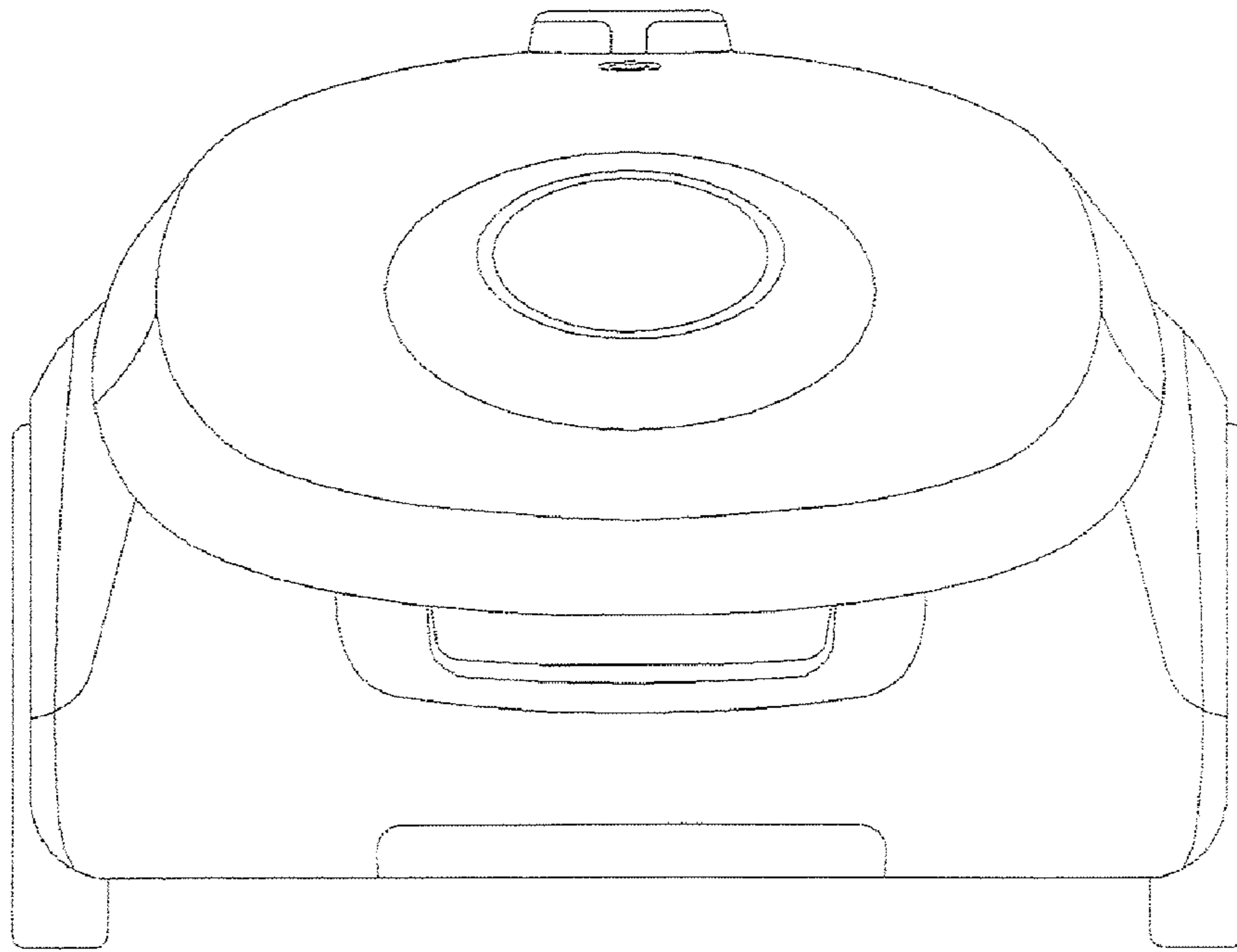


FIG. 3

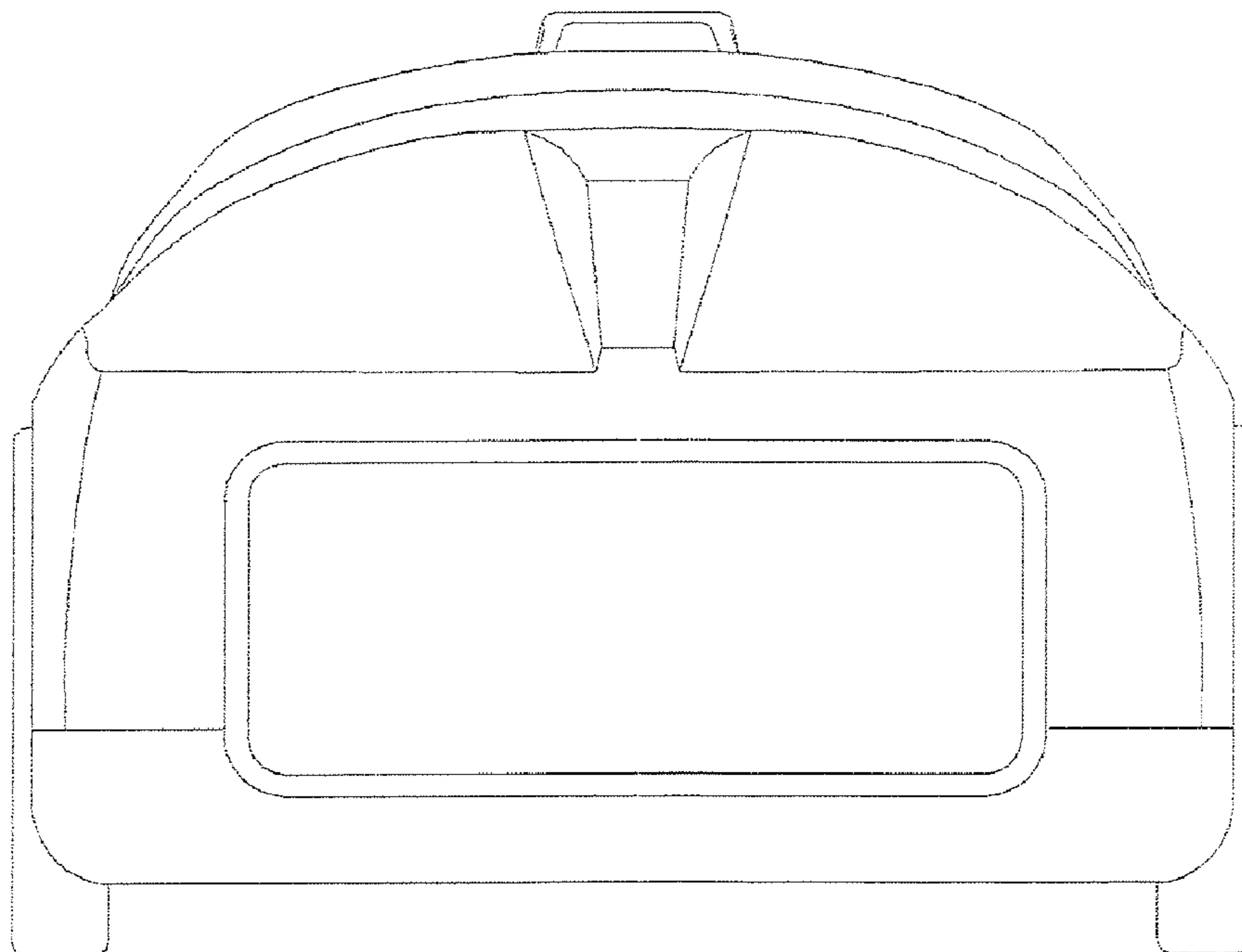


FIG. 4

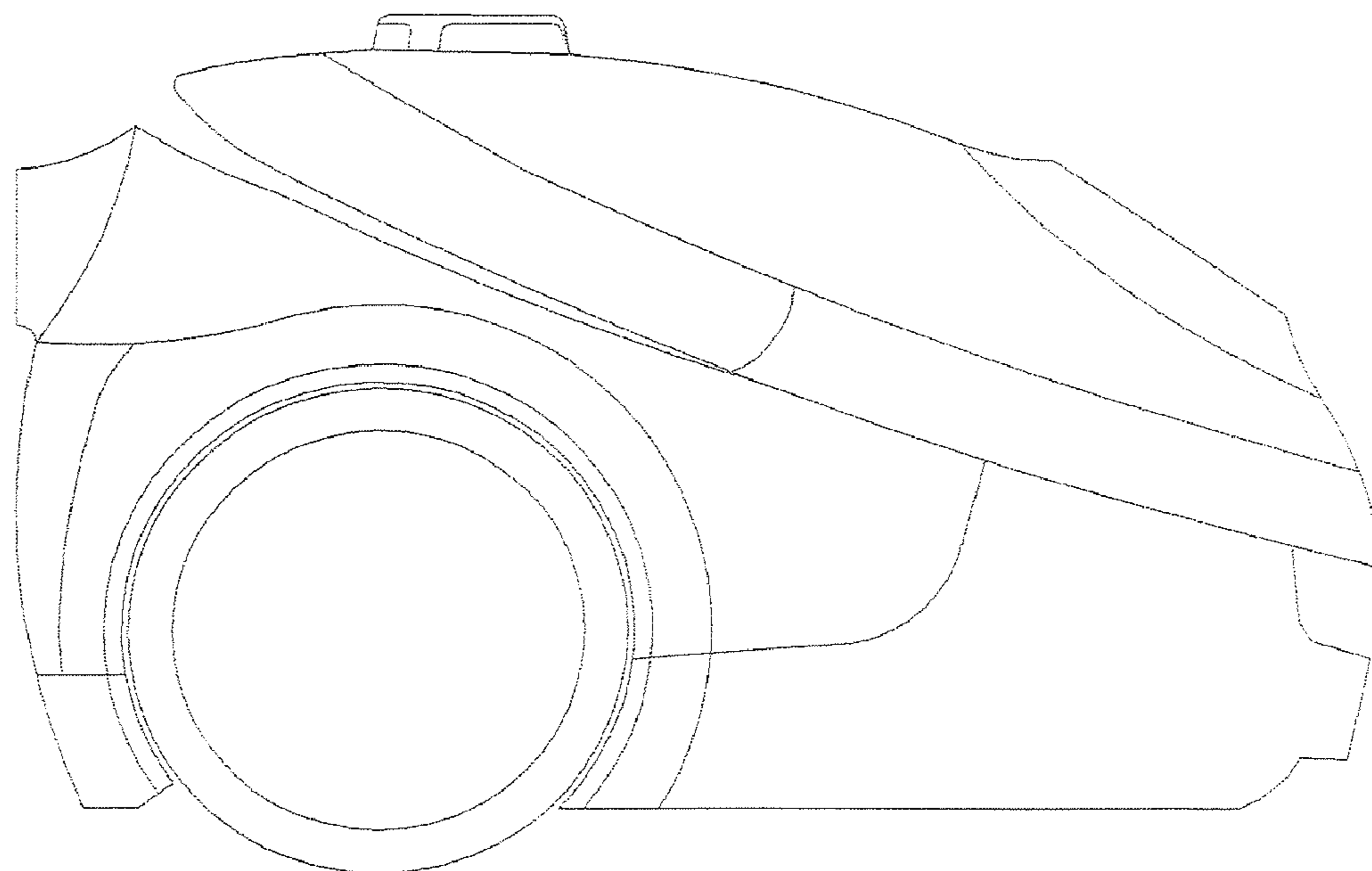


FIG. 5

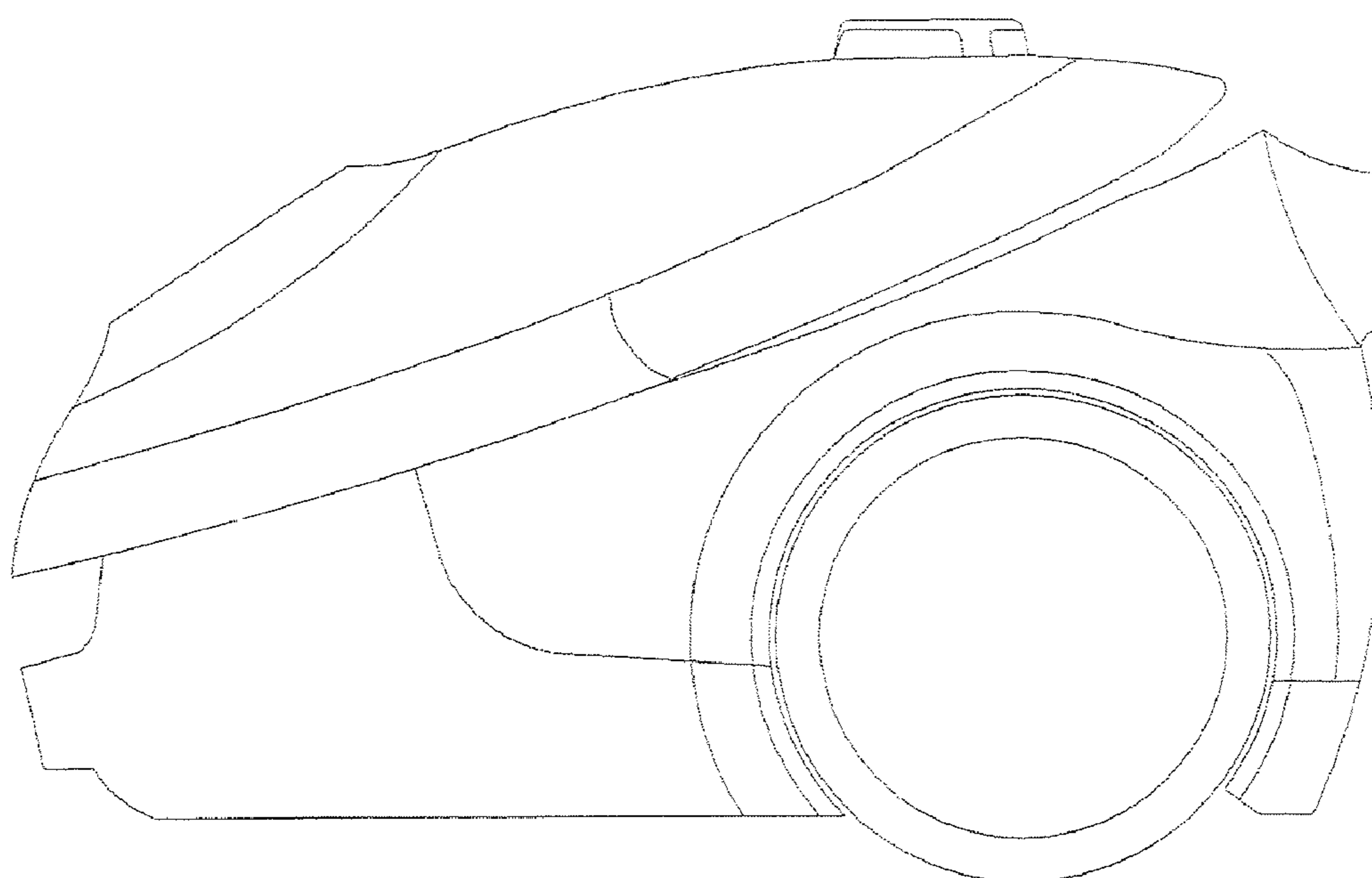


FIG. 6

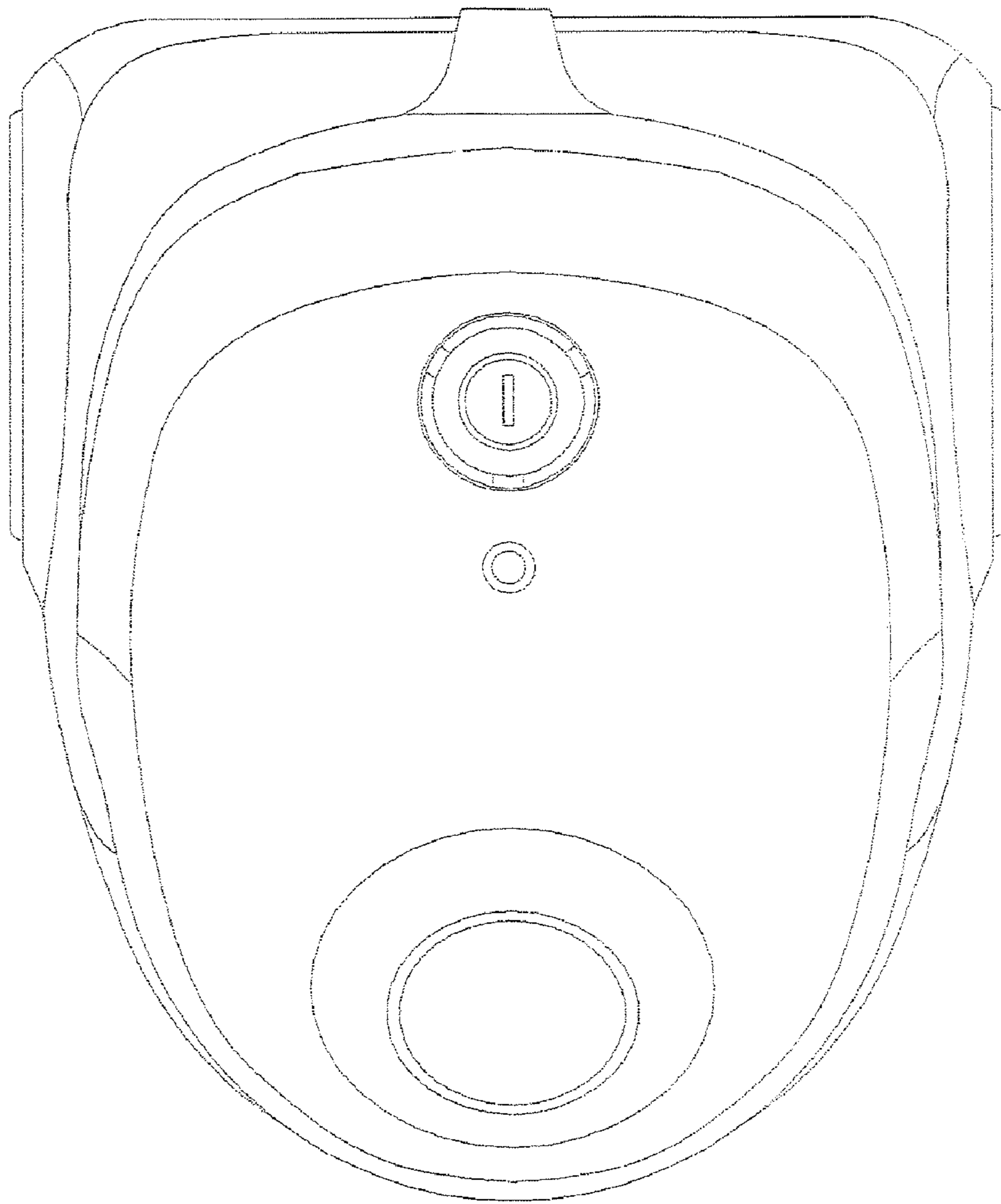


FIG. 7

