



US00D646854S

(12) **United States Design Patent**
Wright

(10) **Patent No.:** **US D646,854 S**

(45) **Date of Patent:** **** Oct. 11, 2011**

(54) **POLISHER**

(75) **Inventor:** **Stuart J. Wright**, Timonium, MD (US)

(73) **Assignee:** **Black & Decker Inc.**, Newark, DE (US)

(**) **Term:** **14 Years**

(21) **Appl. No.:** **29/363,223**

(22) **Filed:** **Jun. 7, 2010**

(51) **LOC (9) Cl.** **15-05**

(52) **U.S. Cl.** **D32/19**

(58) **Field of Classification Search** D32/1,
D32/4, 15, 17, 19; D8/8, 61-62, 67, 69-70;
451/344, 353-354, 356-359; 15/28, 97.1
See application file for complete search history.

(56) **References Cited**

U.S. PATENT DOCUMENTS

D449,502	S *	10/2001	Fraser et al.	D8/62
6,962,523	B2 *	11/2005	Fraser et al.	451/259
D528,887	S *	9/2006	Wright	D8/62
7,311,588	B1 *	12/2007	Lin	451/359
D567,610	S *	4/2008	Wright	D8/62
D569,056	S *	5/2008	Zhu	D32/15
7,544,116	B1 *	6/2009	Lin	451/294
D606,828	S *	12/2009	Misaki	D8/62

2004/0224621	A1 *	11/2004	Fraser et al.	451/359
2008/0085667	A1 *	4/2008	Lin	451/358
2009/0142998	A1 *	6/2009	Lin	451/359

* cited by examiner

Primary Examiner — T. Chase Nelson

Assistant Examiner — Kathleen M Sims

(74) *Attorney, Agent, or Firm* — Kofi Schulerbrandt; Scott B. Markow; Adan Ayala

(57) **CLAIM**

The ornamental design for a polisher, as shown and described.

DESCRIPTION

FIG. 1 is a left/front perspective view of a polisher showing my new design.

FIG. 2 is a front view thereof.

FIG. 3 is a rear view thereof.

FIG. 4 is a right side view thereof.

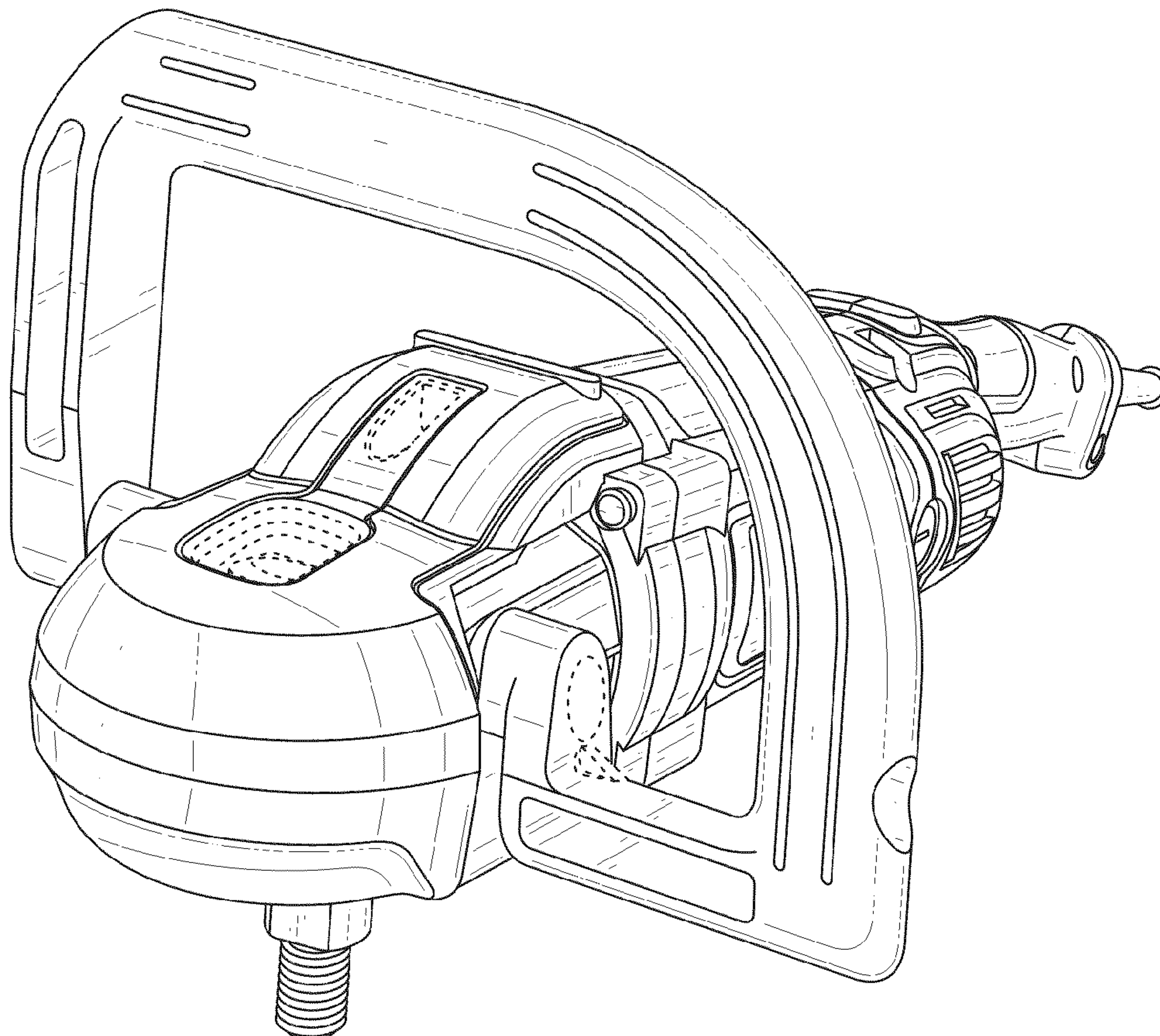
FIG. 5 is a left side view thereof.

FIG. 6 is a top view thereof; and,

FIG. 7 is a bottom view thereof.

The broken line showing of details in FIGS. 1, 3-4, and 6-7 is included for the purpose of showing environmental portions of the polisher and forms no part of the claimed design.

1 Claim, 7 Drawing Sheets



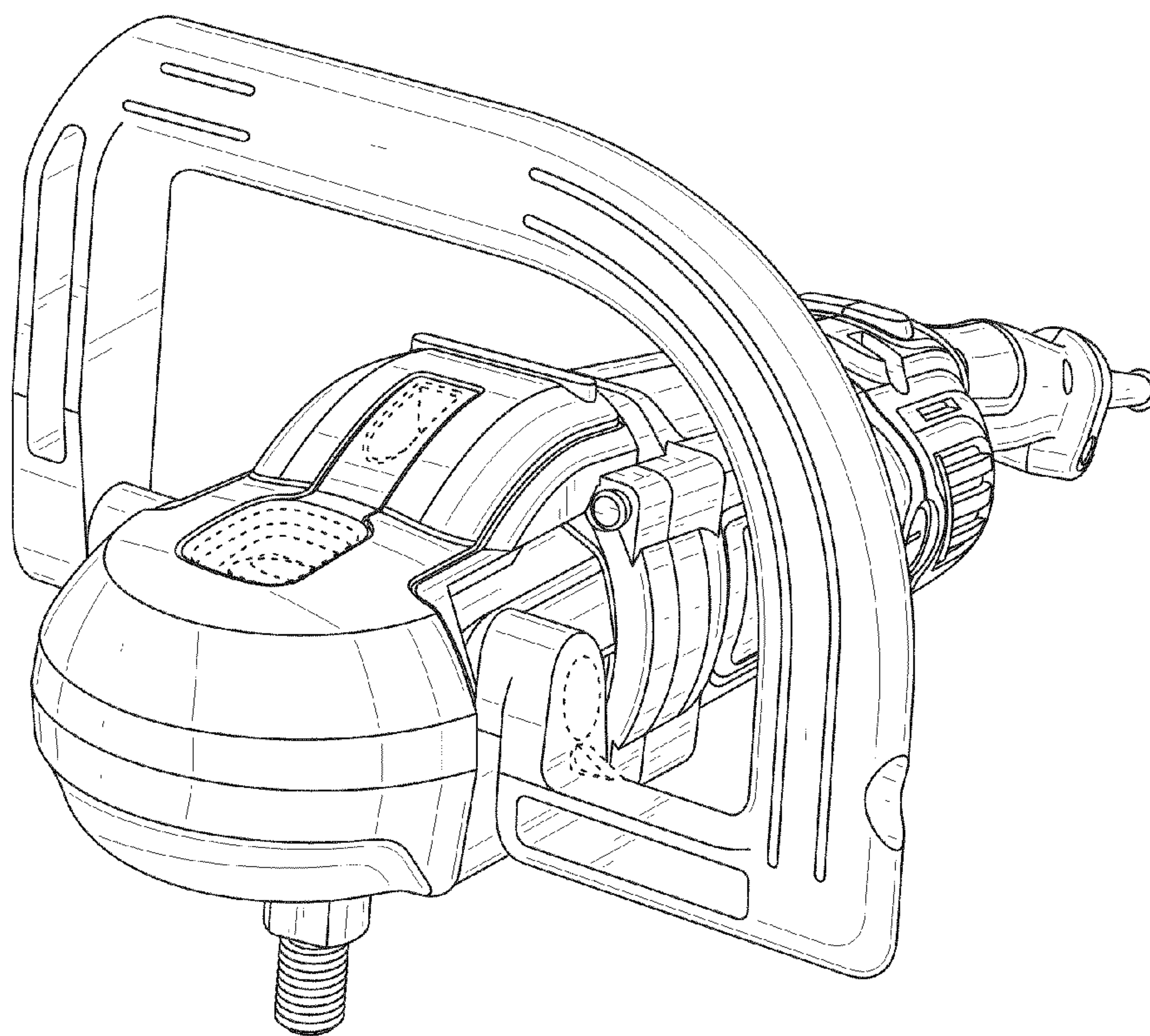


FIG. 1

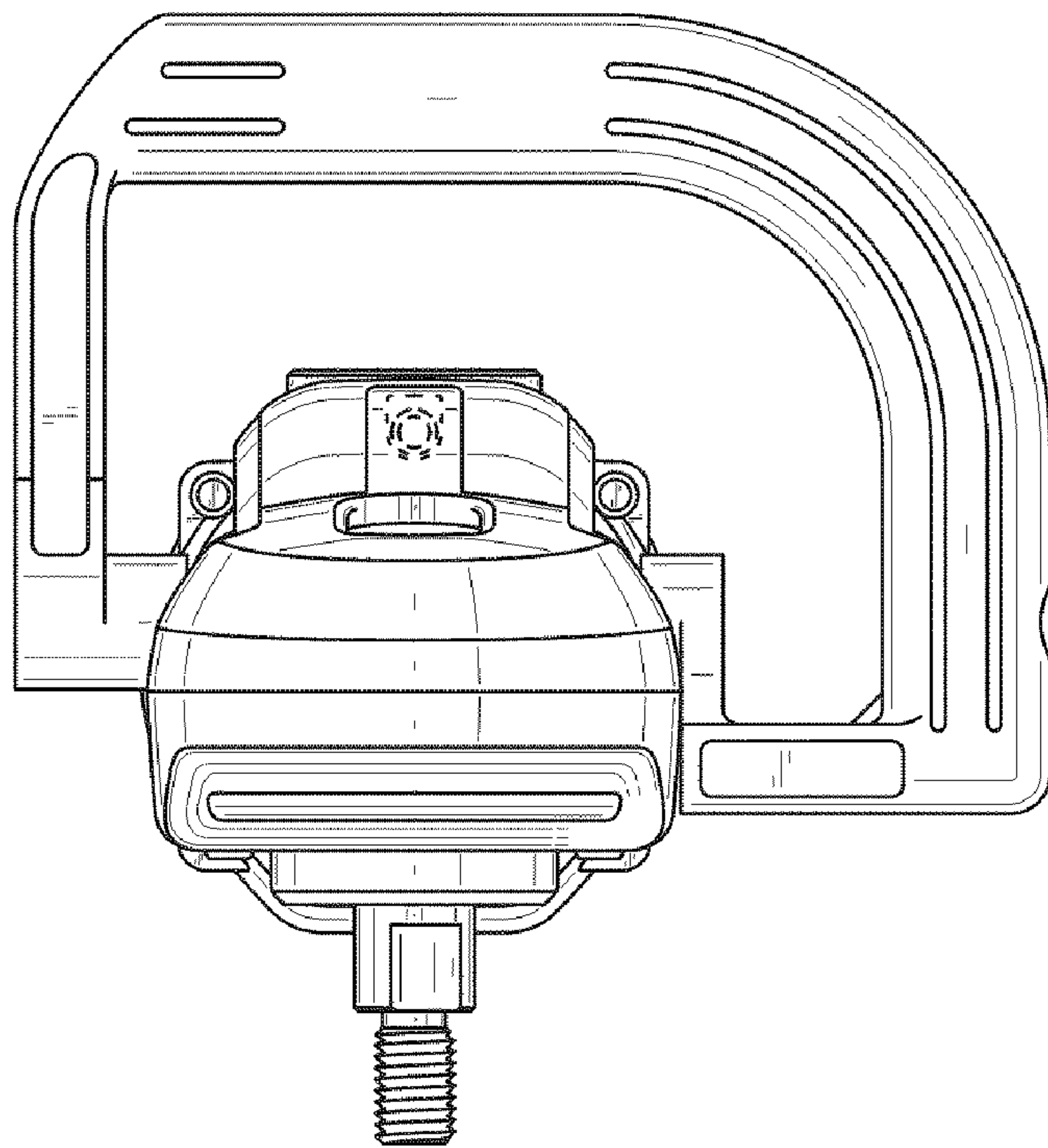


FIG. 2

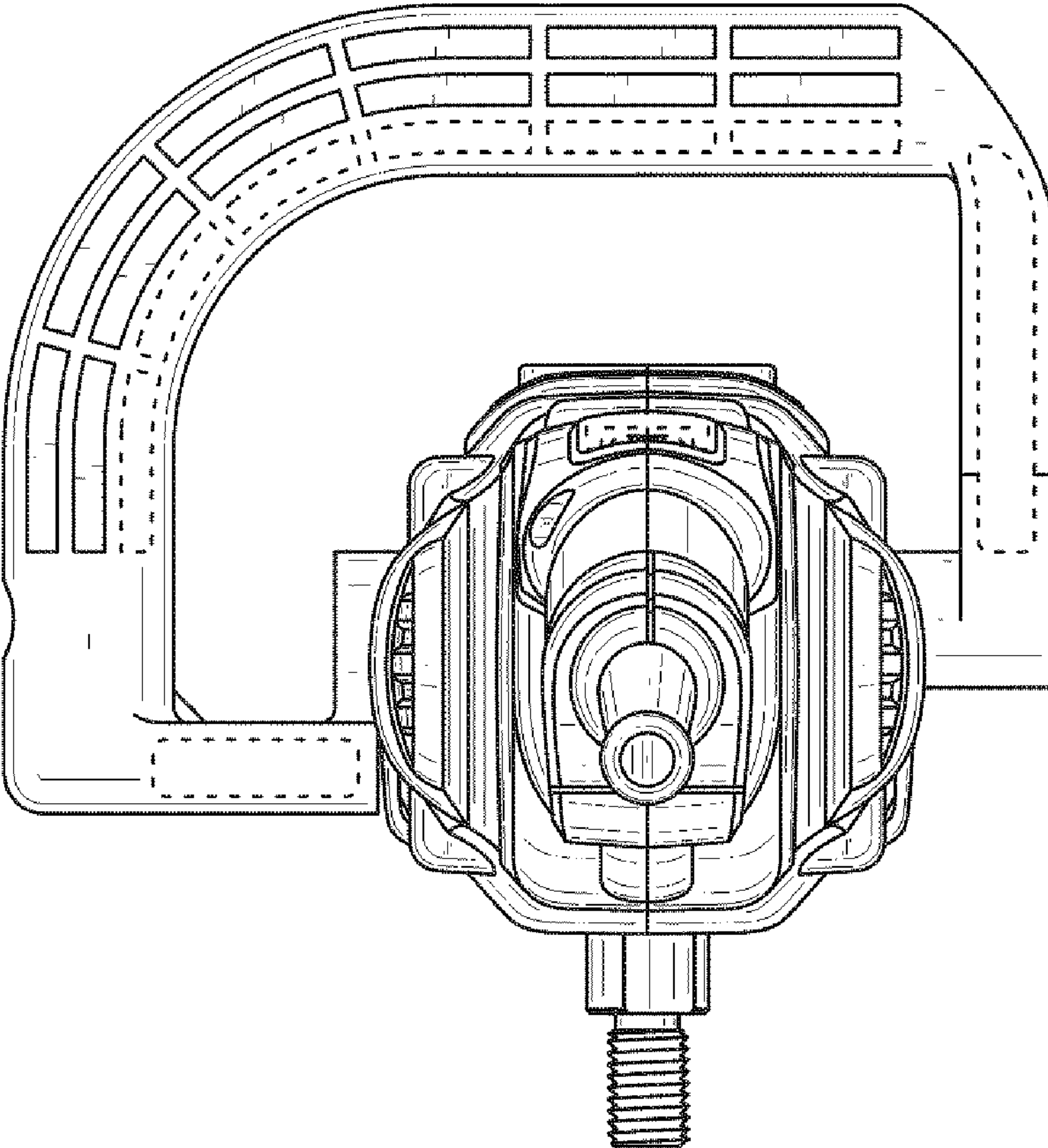


FIG. 3

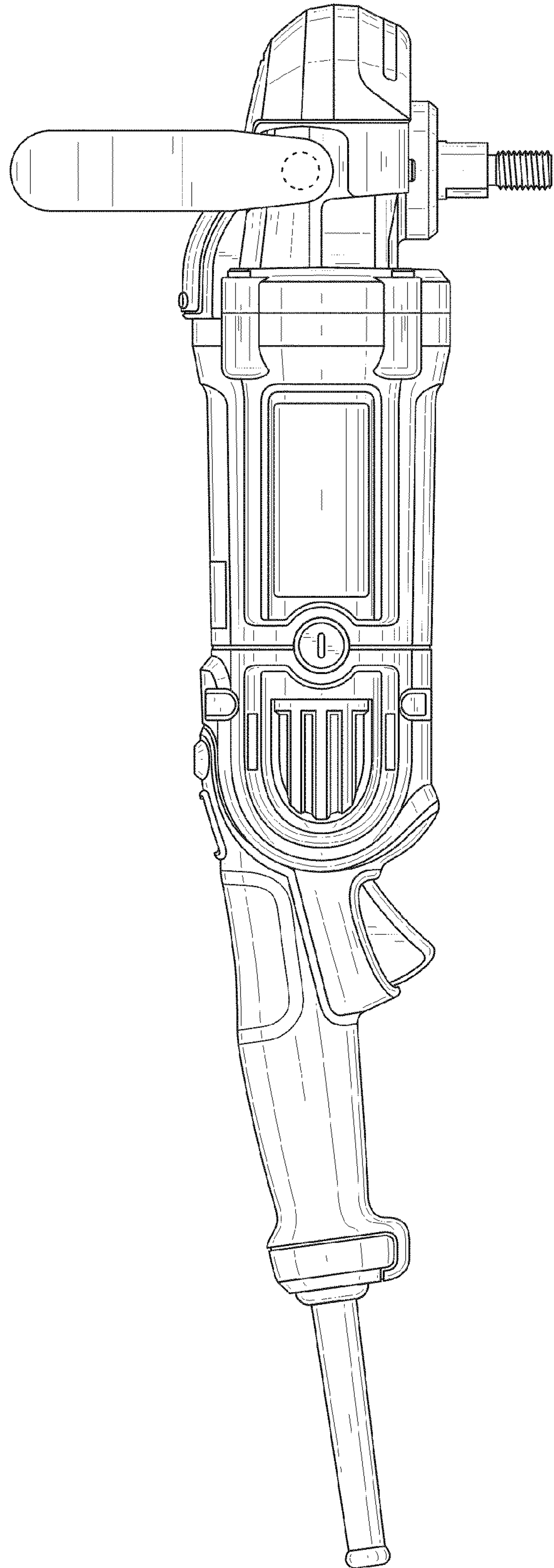


FIG. 4

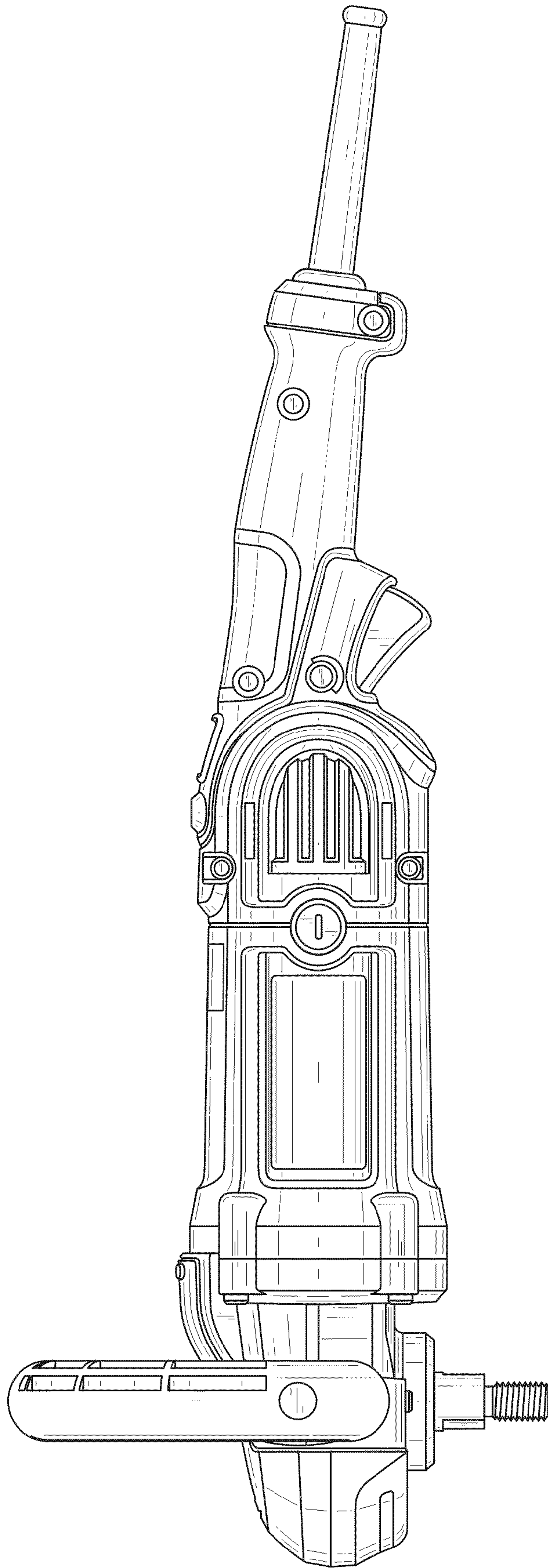


FIG. 5

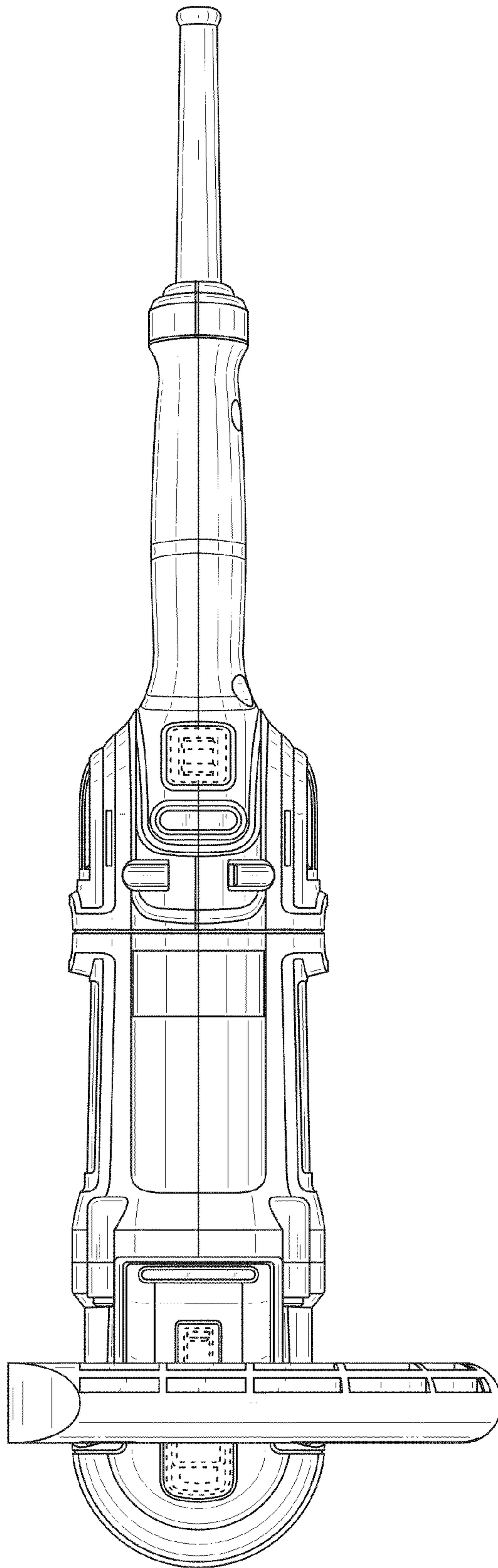


FIG. 6

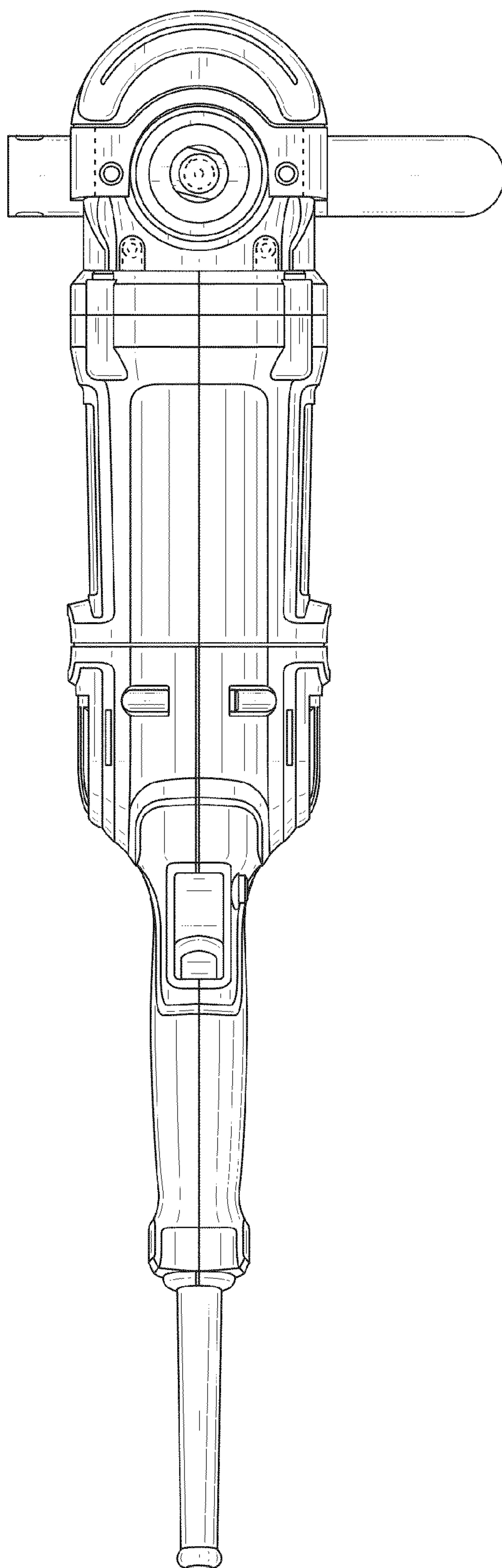


FIG. 7