



US00D646852S

(12) **United States Design Patent**
Chance et al.

(10) **Patent No.:** **US D646,852 S**
(45) **Date of Patent:** **** Oct. 11, 2011**

- (54) **PET BOWL**
- (75) Inventors: **Christopher E. Chance**, Bella Vista, AR (US); **Andrew Bojie**, Centerton, AR (US); **Thomas Lawson**, Rogers, AR (US)
- (73) Assignee: **Stout Stuff, LLC**, Bentonville, AR (US)
- (**) Term: **14 Years**
- (21) Appl. No.: **29/385,839**
- (22) Filed: **Feb. 21, 2011**
- (51) **LOC (9) Cl.** **30-03**
- (52) **U.S. Cl.** **D30/129**
- (58) **Field of Classification Search** D30/121, D30/122, 129-133; 119/61.5, 51.01, 61.56, 119/51.03, 59, 62, 63, 51.5, 57.8, 74, 61.54, 119/61.55; 312/204; 248/151, 188; 108/156, 108/153.1-157; 220/23.87, 630, 737, 743, 220/9.4, 495.01, 574, 212, 255, 23.83; 206/515; D7/586, 543, 550.1, 587, 505, 584, 545, 500, D7/553.1-553.8, 546, 555, 556, 504, 565, D7/562, 602; D9/429; 43/109; D22/122; 99/430, DIG. 15

See application file for complete search history.

(56) **References Cited**

U.S. PATENT DOCUMENTS

D180,012 S	4/1957	Buechler
2,906,427 A	9/1959	Buechler
3,100,054 A	8/1963	Rubens
3,611,998 A	10/1971	Loscalzo et al.
D296,746 S	7/1988	Wiinblad
4,886,016 A	12/1989	Atchley
D313,486 S	1/1991	Conner
D313,487 S	1/1991	Conner
D383,254 S	9/1997	Feldmann et al.
5,979,361 A	11/1999	Willinger

D442,831 S	5/2001	Jacobs
D467,044 S	12/2002	Tangolics
D469,660 S	2/2003	Kortleven
6,516,747 B1	2/2003	Willinger
D471,406 S	3/2003	Wellner
D471,677 S	3/2003	Northrop
D472,021 S	3/2003	Northrop
D473,758 S	4/2003	Wilson
6,619,230 B1	9/2003	Kimbrough et al.
D504,196 S	4/2005	Huthmaker et al.
D504,799 S	5/2005	Lawson et al.
6,912,970 B2 *	7/2005	Sage, Jr. 119/61.5
D540,623 S	4/2007	Schreiber-Pethan et al.
D545,630 S	7/2007	Serra
D547,615 S	7/2007	Wasserman et al.
D548,014 S	8/2007	Kell
D551,025 S	9/2007	Serra
D563,607 S	3/2008	Northrop
D564,711 S	3/2008	Modi et al.
D564,844 S	3/2008	Schreiber-Pethan et al.

(Continued)

Primary Examiner — Susan Moon Lee

(74) *Attorney, Agent, or Firm* — Larkin Hoffman Daly & Lindgren Ltd.; Thomas J. Oppold

(57) **CLAIM**

The ornamental design for a pet bowl, as shown and described.

DESCRIPTION

FIG. 1 is a perspective view of the pet bowl of the present design.

FIG. 2 is a front elevation view of the pet bowl of FIG. 1.

FIG. 3 is a rear elevation view of the pet bowl of FIG. 1.

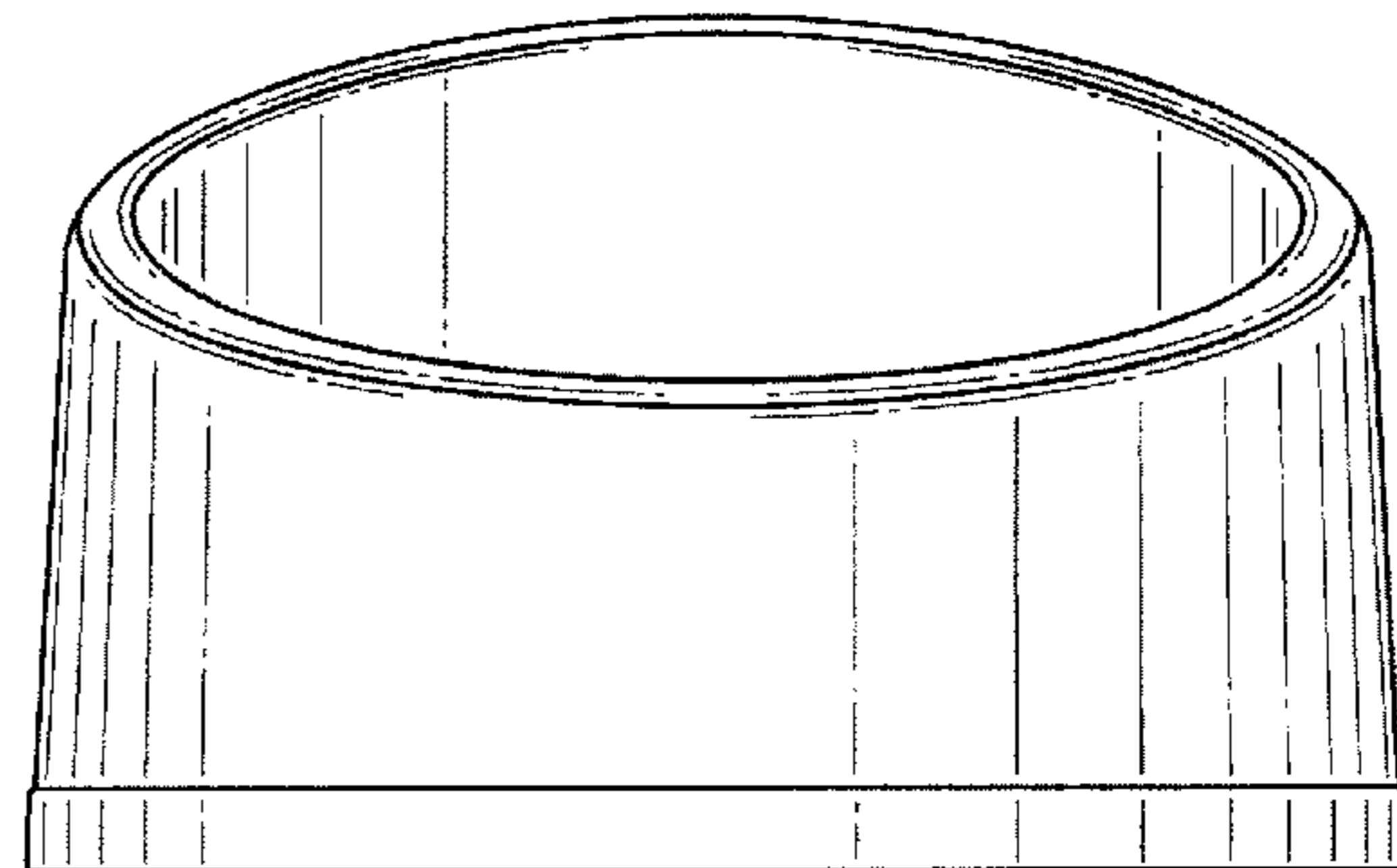
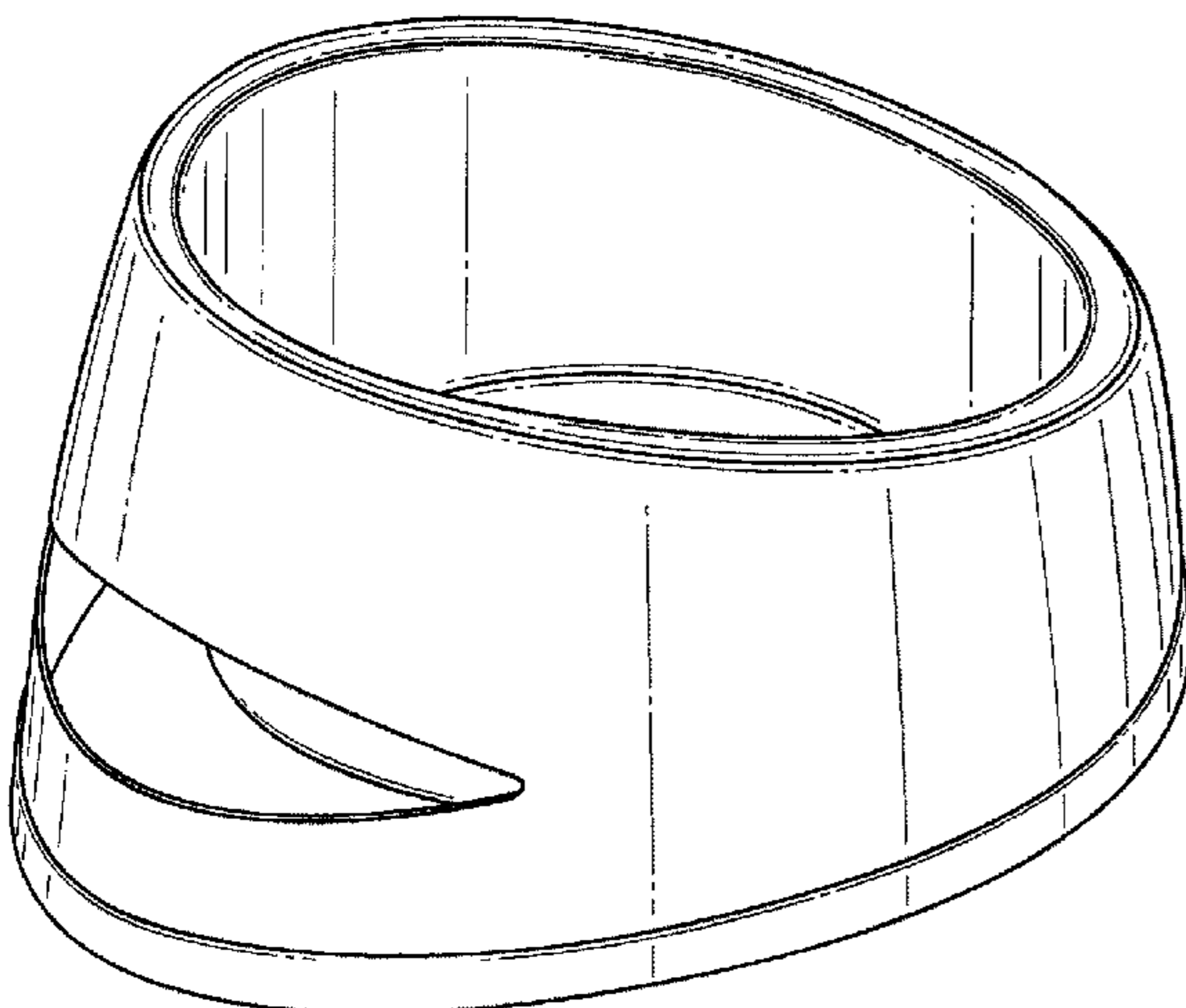
FIG. 4 is a top plan view of the pet bowl of FIG. 1.

FIG. 5 is a bottom plan view of the pet bowl of FIG. 1.

FIG. 6 is a right side elevation view of the pet bowl of FIG. 1; and,

FIG. 7 is a left side elevation view of the pet bowl of FIG. 1.

1 Claim, 6 Drawing Sheets



US D646,852 S

Page 2

U.S. PATENT DOCUMENTS

D565,253 S	3/2008	Modi et al.	
D586,611 S	2/2009	Solis et al.	
D590,109 S *	4/2009	Anderson et al. D30/129
D592,813 S	5/2009	Newsome et al.	
D600,862 S *	9/2009	Sin D30/129
D602,651 S	10/2009	Modi et al.	
7,600,486 B2 *	10/2009	Ellis 119/61.5
D607,616 S	1/2010	Newsome et al.	
D613,999 S	4/2010	Sierra	
D623,358 S *	9/2010	Kim D30/129
D623,359 S *	9/2010	Kim D30/129
7,789,041 B1 *	9/2010	Taylor 119/61.5
D636,944 S *	4/2011	Anderson et al. D30/129
D636,945 S *	4/2011	Anderson et al. D30/129
2005/0039689 A1 *	2/2005	Mossmer 119/61.5
2010/0275852 A1 *	11/2010	Lipscomb et al. 119/61.5

* cited by examiner

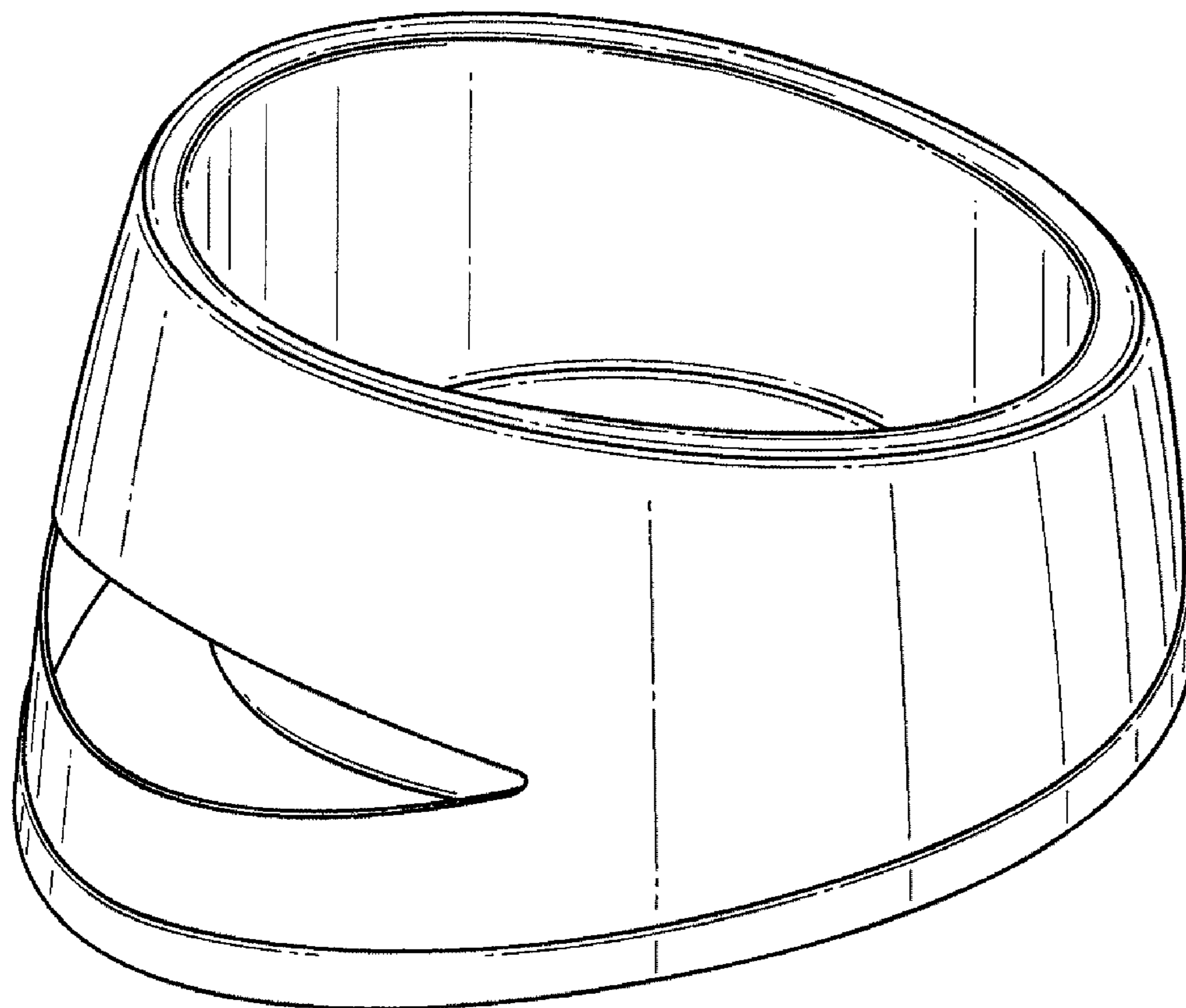


Fig. 1

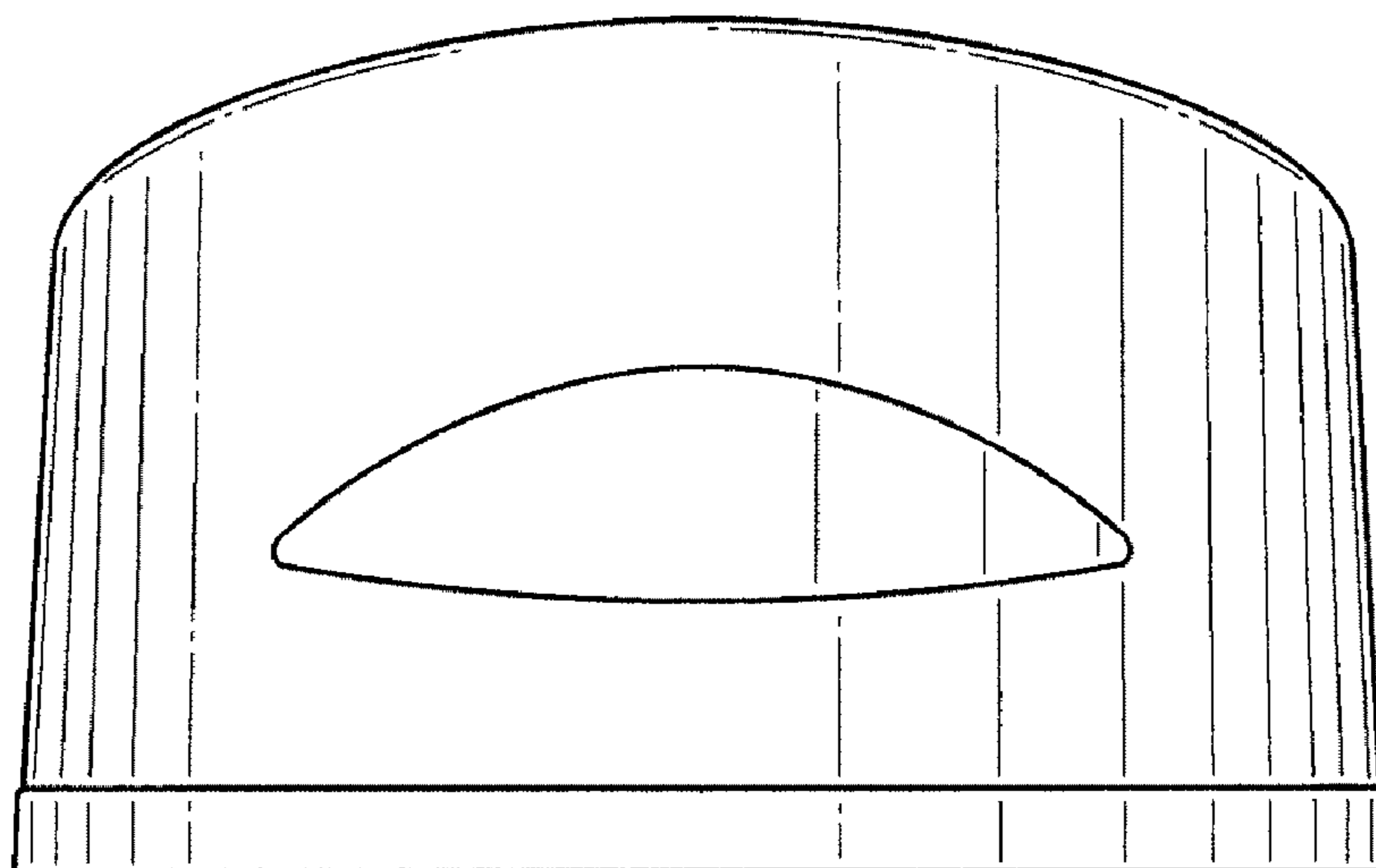


Fig. 2

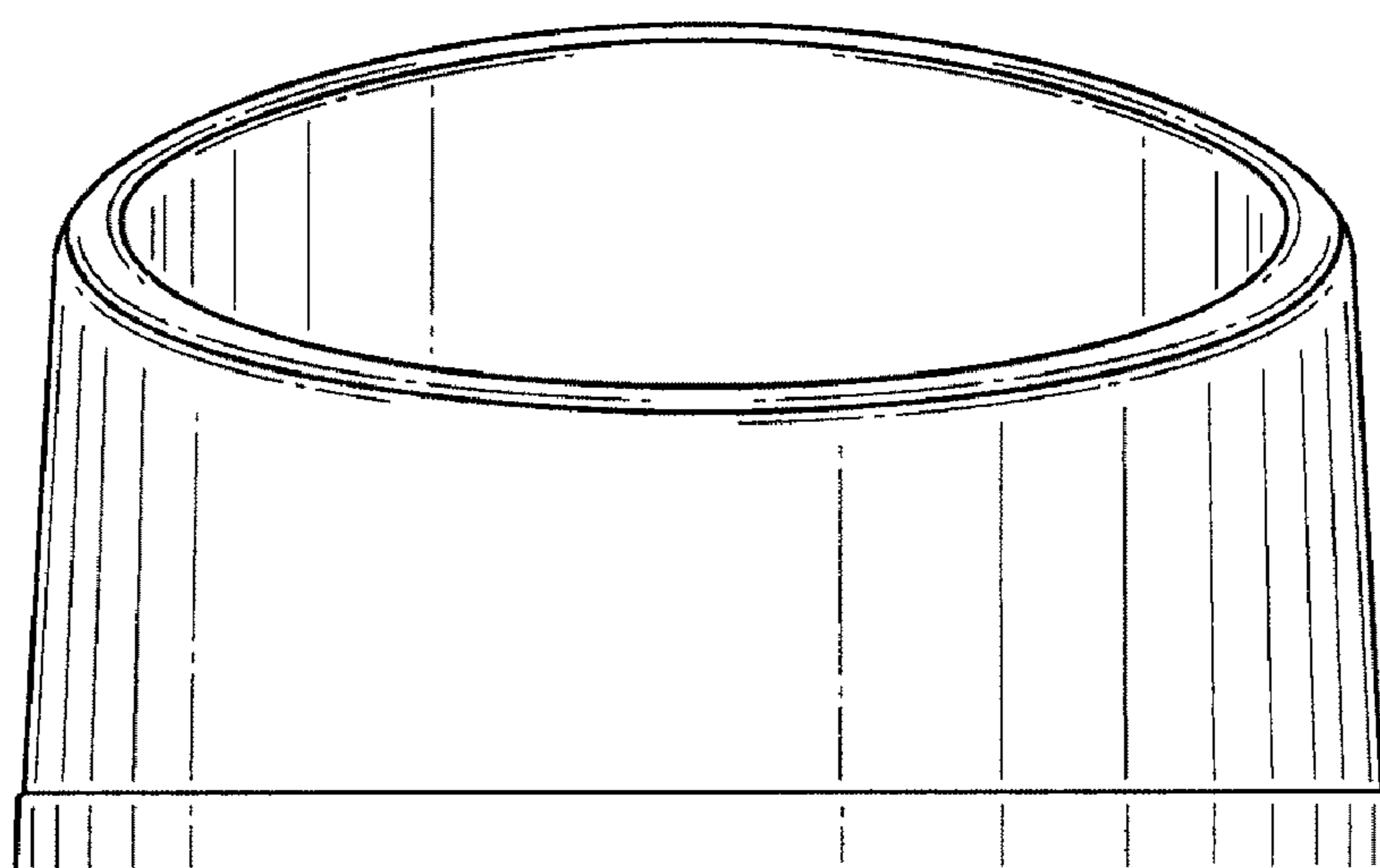


Fig. 3

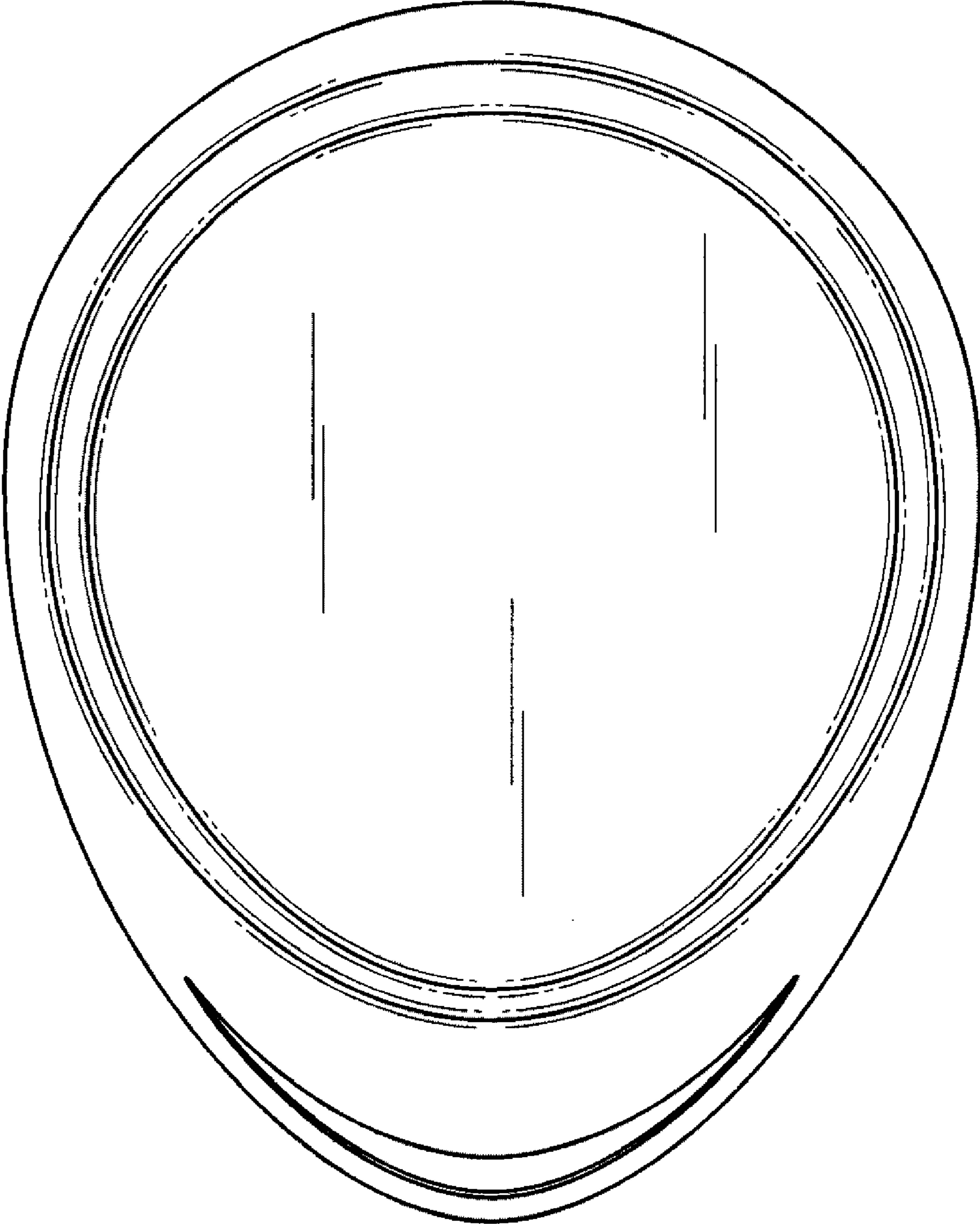


Fig. 4

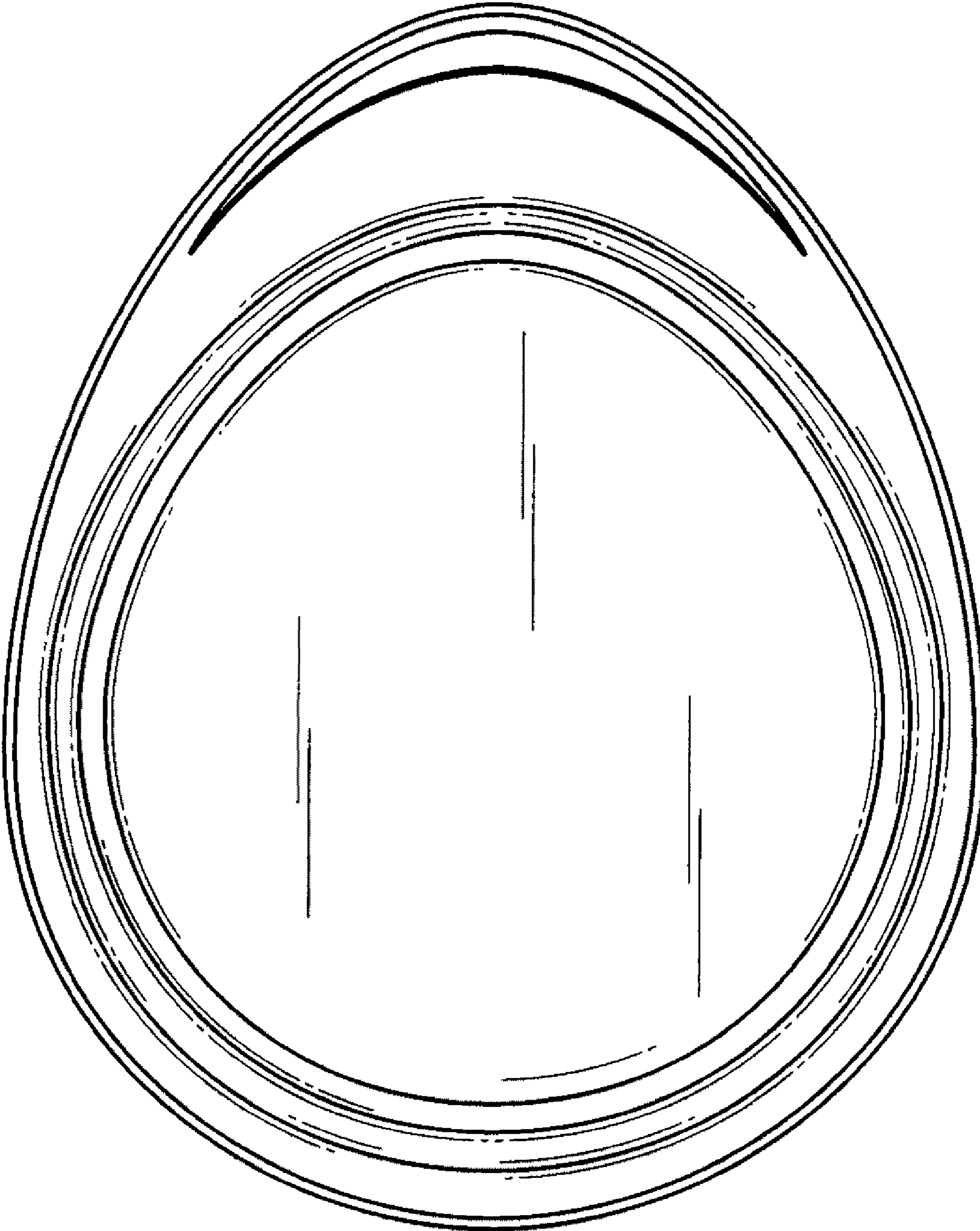


Fig. 5

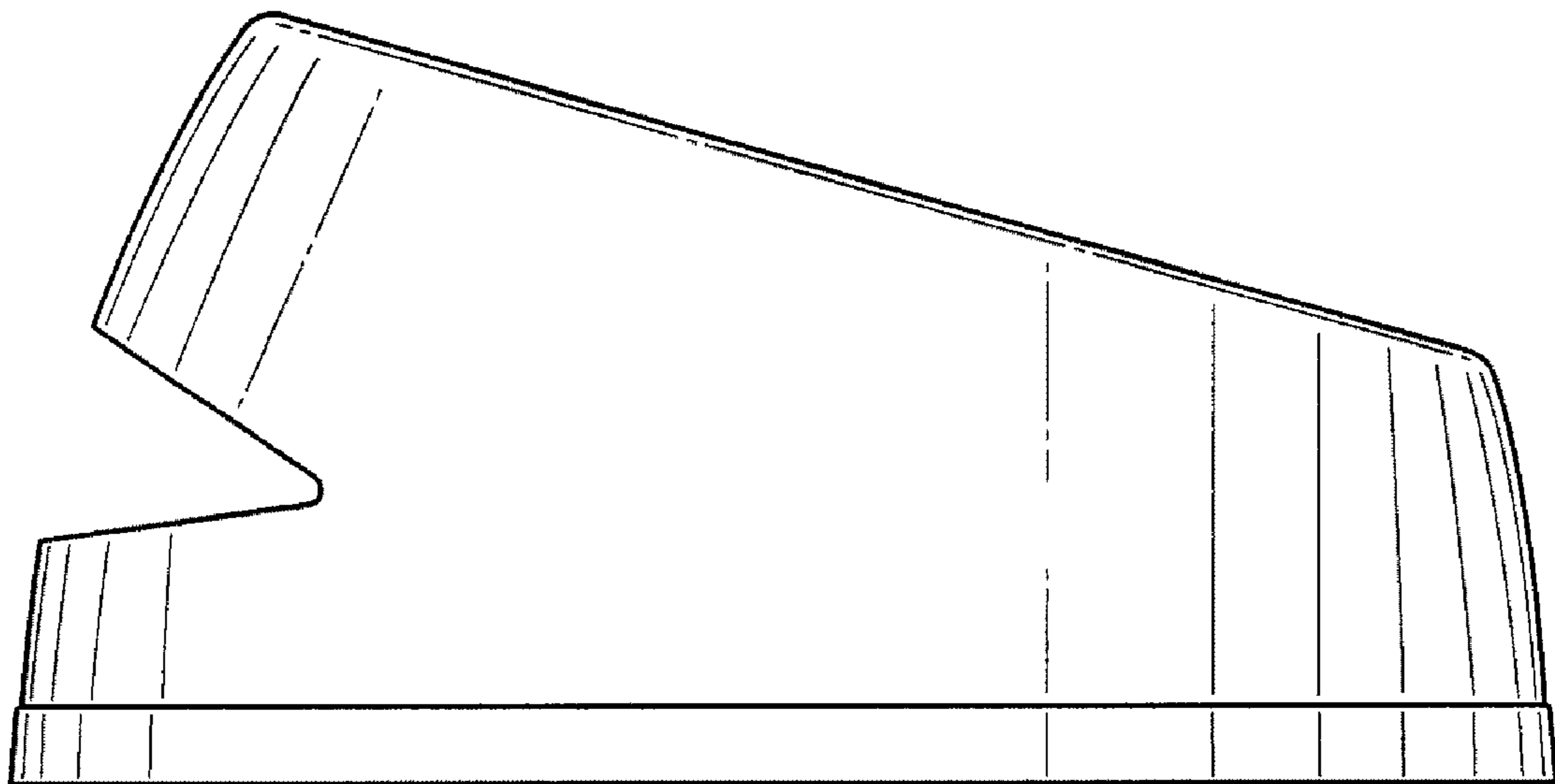


Fig. 6

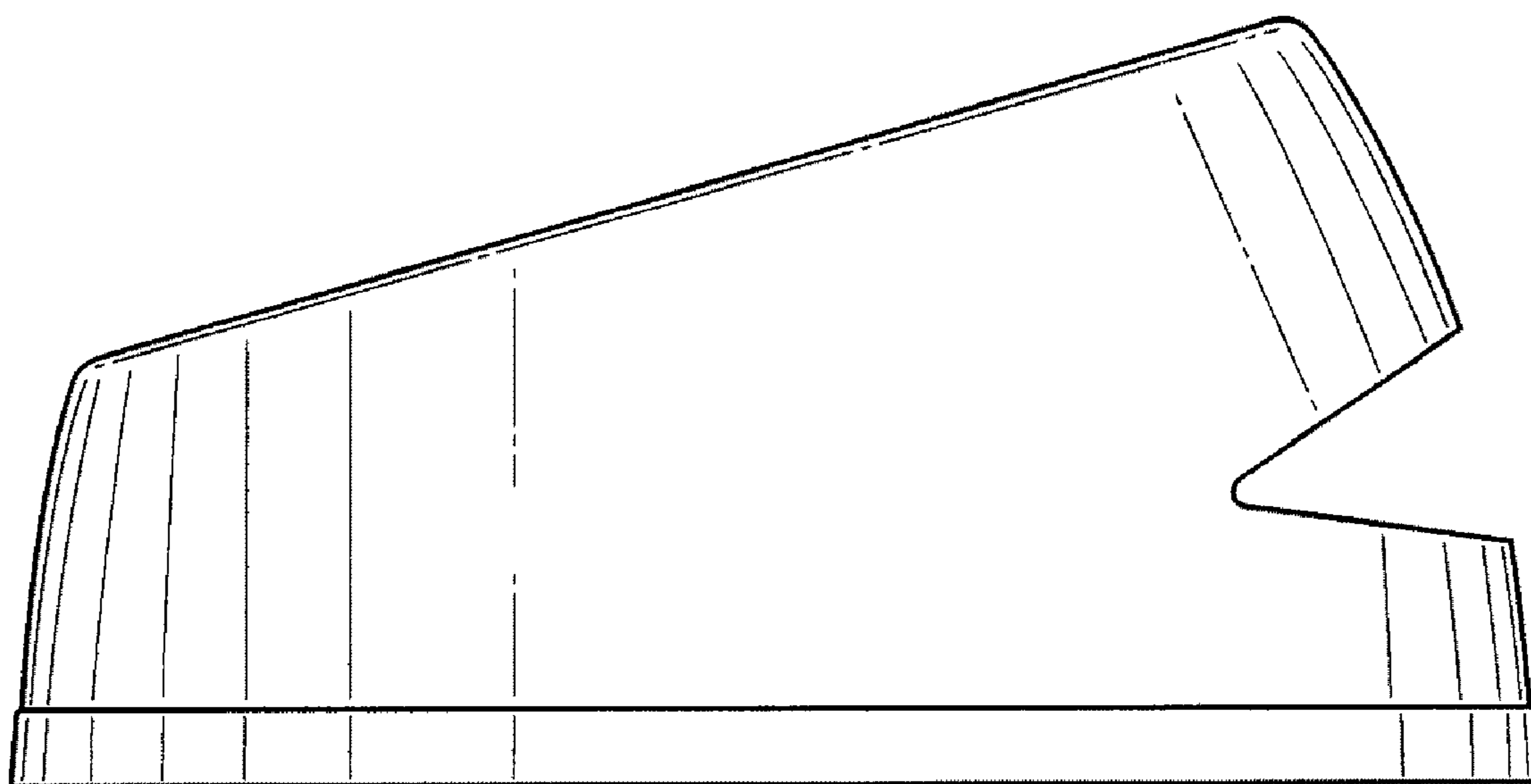


Fig. 7