



US00D646848S

(12) **United States Design Patent**  
**Correll, Jr. et al.**

(10) **Patent No.:** **US D646,848 S**

(45) **Date of Patent:** **\*\* Oct. 11, 2011**

(54) **HAIR DRYER WITH PIVOTING AND  
TURNABLE HANDLE**

(75) Inventors: **Carroll B. Correll, Jr.**, Winchester, VA  
(US); **Henry J. Sanders**, Woodbridge,  
VA (US)

(73) Assignee: **Carroll B. Correll, Jr.**, Winchester, VA  
(US)

(\*\*) Term: **14 Years**

(21) Appl. No.: **29/387,756**

(22) Filed: **Mar. 17, 2011**

(51) **LOC (9) Cl.** ..... **28-03**

(52) **U.S. Cl.** ..... **D28/13**

(58) **Field of Classification Search** ..... D28/12-19;  
34/96-101; 392/380-385; 219/222  
See application file for complete search history.

(56) **References Cited**

U.S. PATENT DOCUMENTS

D294,873	S	*	3/1988	Ogawa et al.	.....	D28/13
D301,231	S	*	5/1989	Yoshiharu	.....	D14/147
D369,434	S	*	4/1996	LeCompte, Sr.	.....	D28/13
D434,182	S	*	11/2000	Cheung	.....	D28/16
D439,372	S	*	3/2001	Yip	.....	D28/13
D469,574	S	*	1/2003	Lai	.....	D28/13
D472,015	S	*	3/2003	Young	.....	D28/13
D519,242	S	*	4/2006	Lin	.....	D28/13
D541,982	S	*	5/2007	Choi	.....	D28/13

D572,097	S	*	7/2008	Yung-Kuan	.....	D8/29.1
D580,594	S	*	11/2008	Leung	.....	D28/13
D627,510	S	*	11/2010	Zabala	.....	D28/13

\* cited by examiner

*Primary Examiner* — Zenia Bennett

(74) *Attorney, Agent, or Firm* — Roberts Mlotkowski Safran  
& Cole, P.C.

(57) **CLAIM**

The ornamental design for a hair dryer with pivoting and  
turnable handle, as shown and described.

**DESCRIPTION**

FIG. 1 is a perspective view generally taken from the bottom  
of the hair dryer showing a hair dryer with a pivoting handle  
that may be pivoted 90° into a folded position and turned  
180°;

FIG. 2 is a perspective view generally taken from the top of  
the hair showing the design;

FIG. 3 is a top plan view thereof;

FIG. 4 is a front elevational view thereof;

FIG. 5 is a back elevational view thereof;

FIG. 6 is a side elevational view thereof;

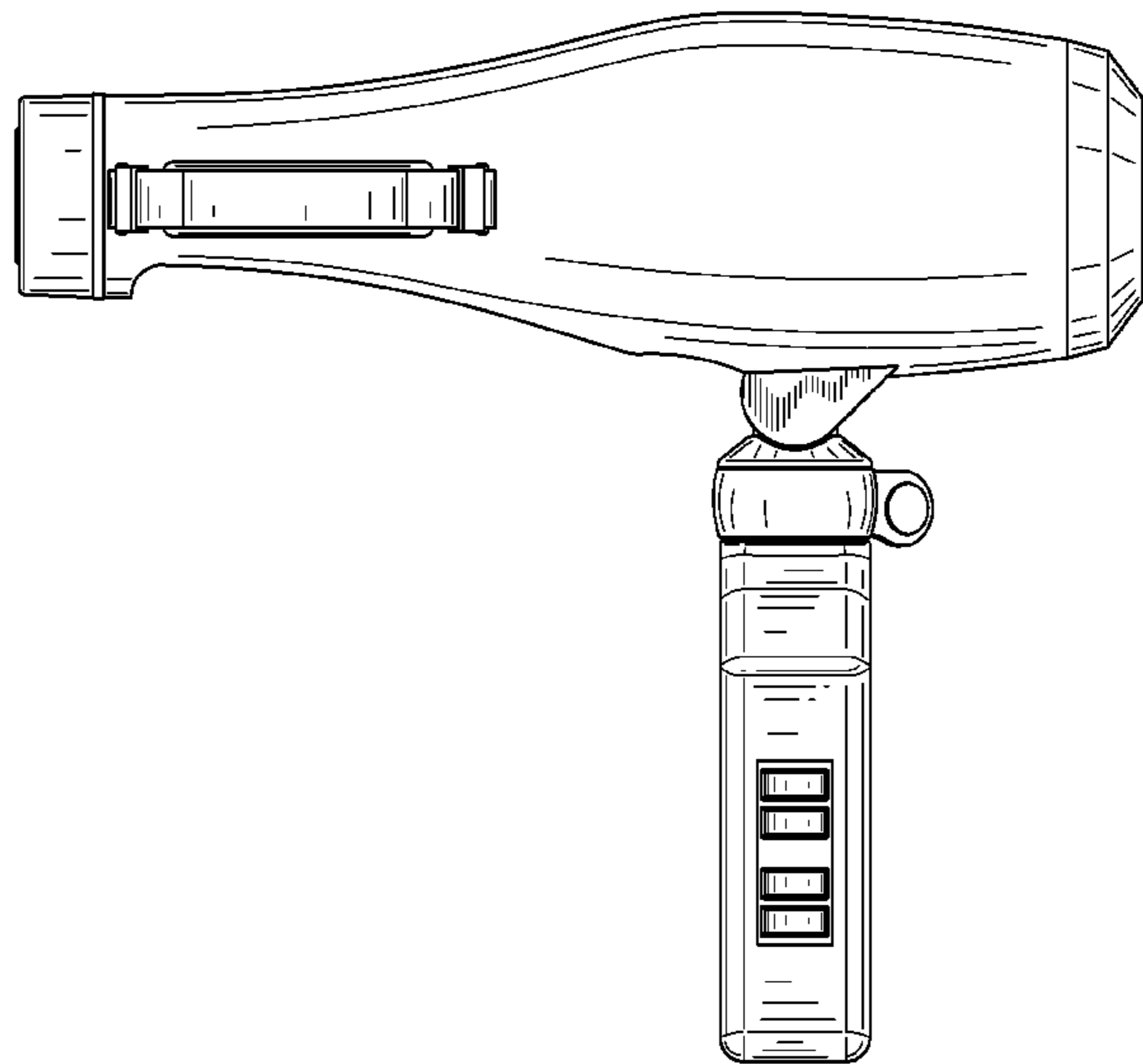
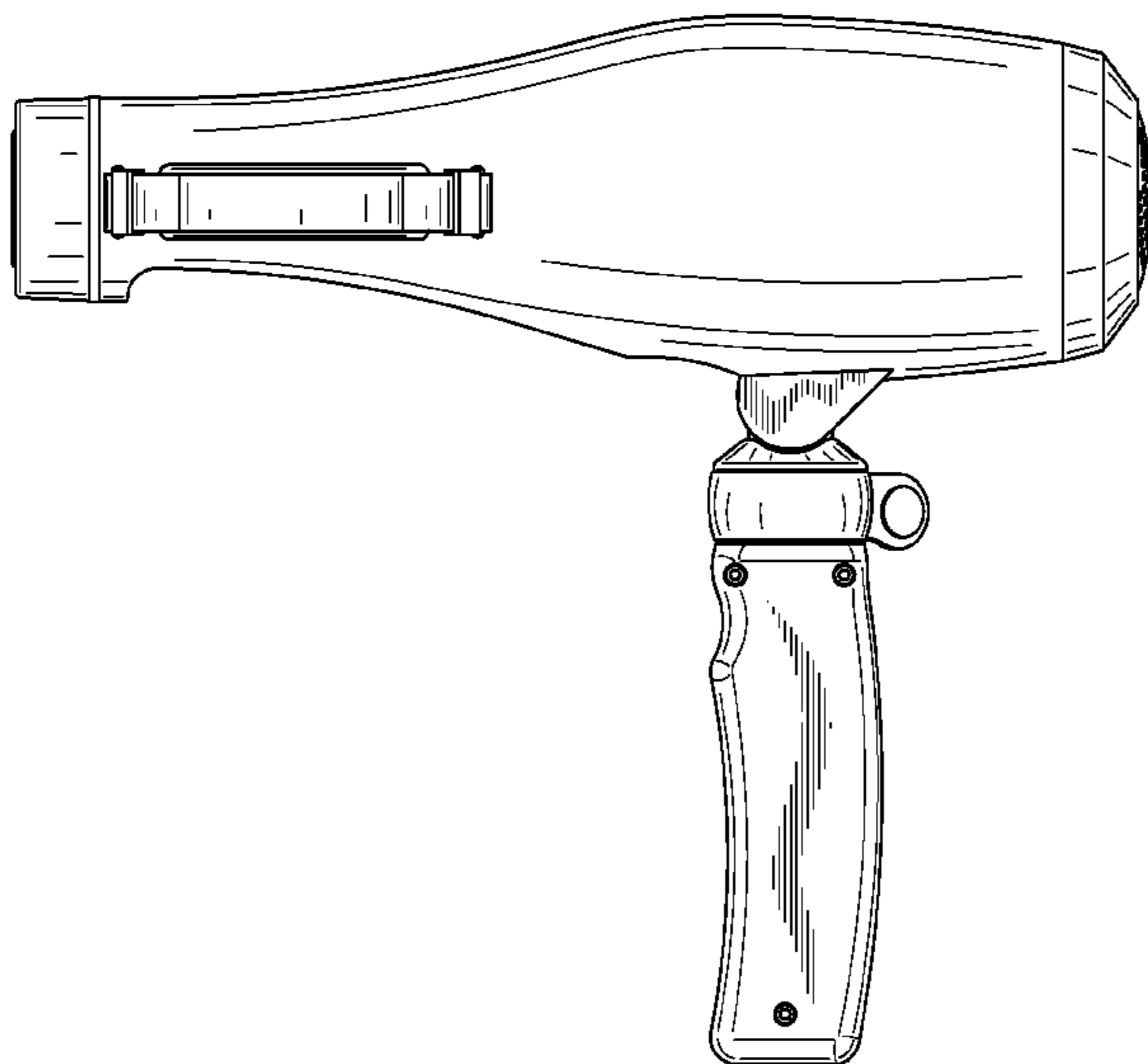
FIG. 7 is the side view of FIG. 6 illustrating the handle turned  
90°;

FIG. 8 is the side view of FIG. 6 illustrating the handle turned  
180°;

FIG. 9 is the side view of FIG. 8 illustrating the handle in an  
alternate folded position; and,

FIG. 10 is the side view of FIG. 6 illustrating the handle in a  
completely folded position.

**1 Claim, 9 Drawing Sheets**



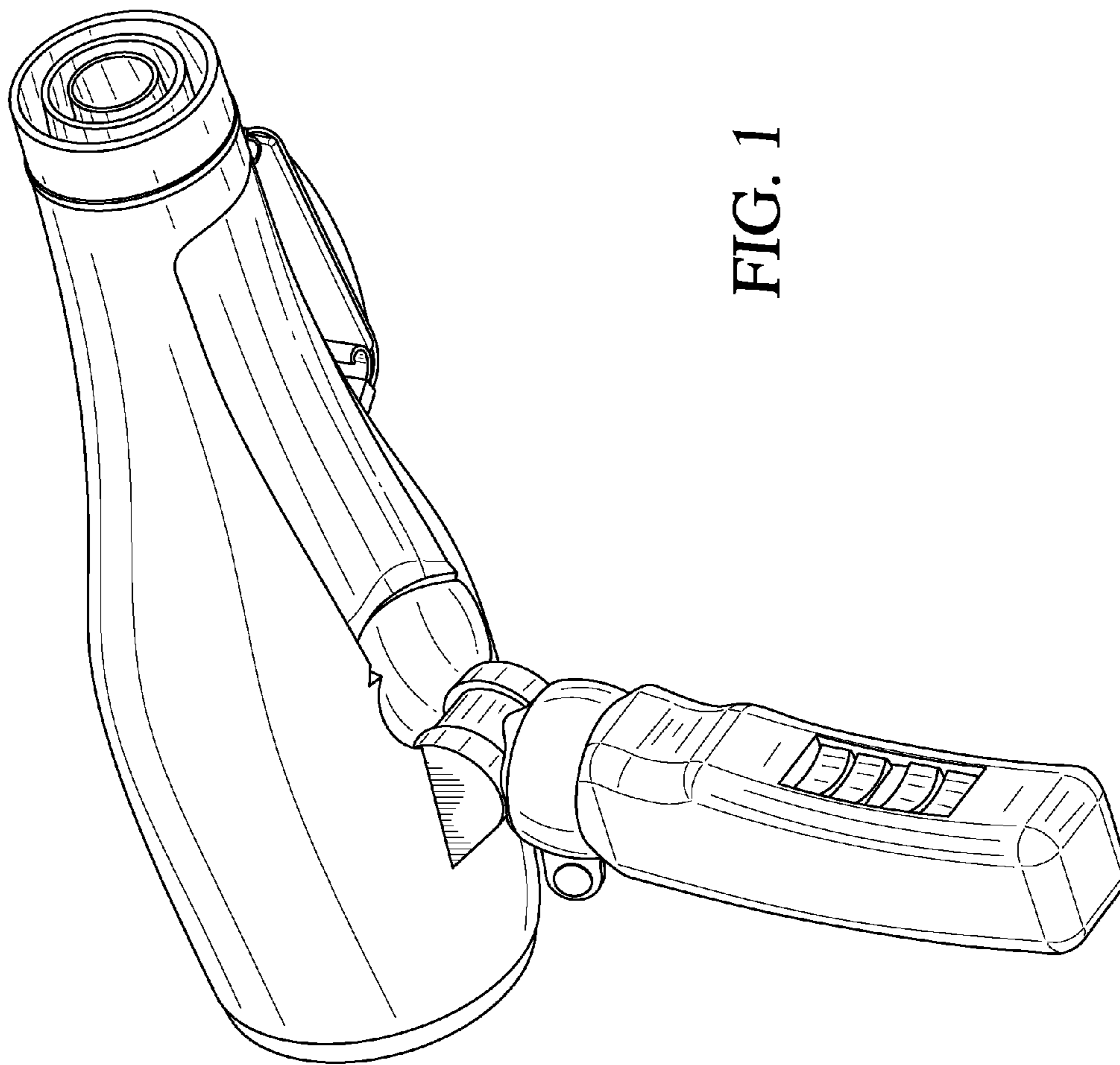


FIG. 1

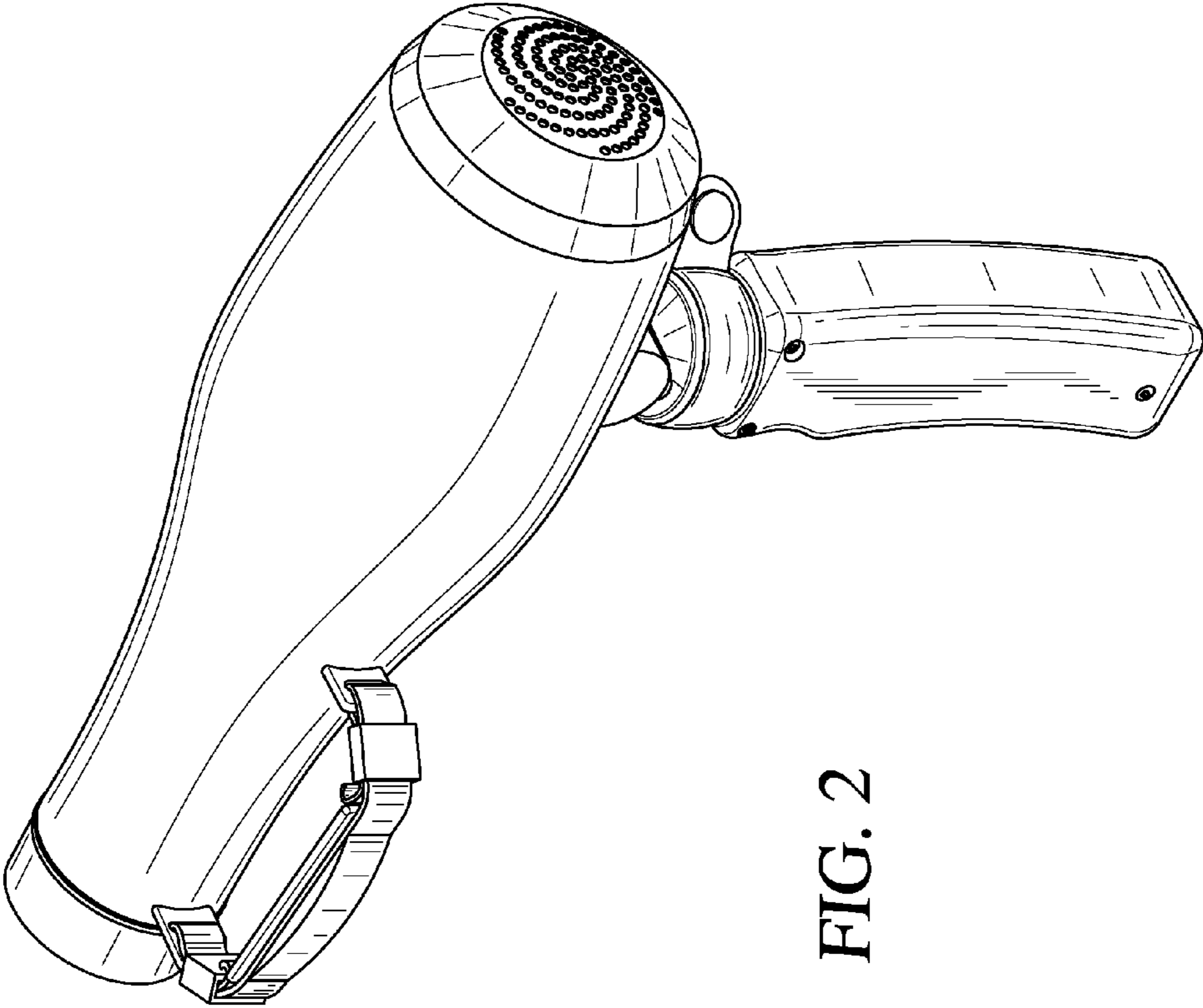


FIG. 2

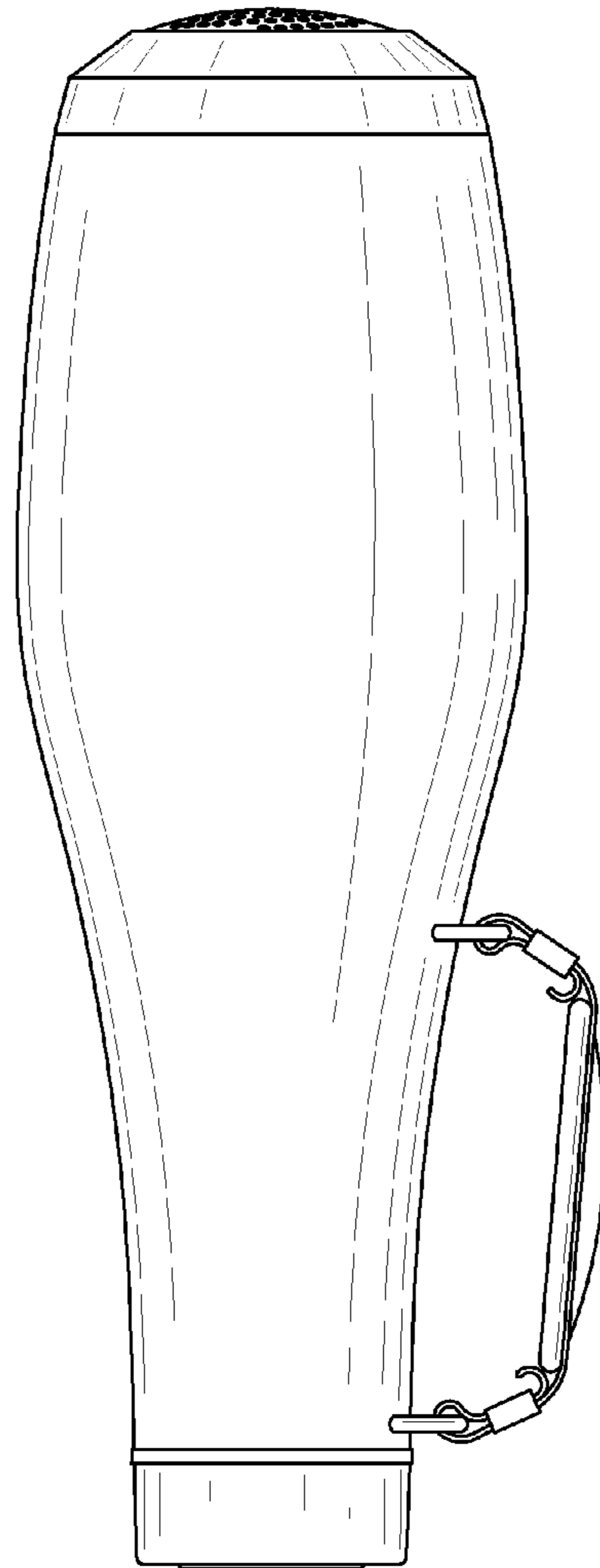


FIG. 3

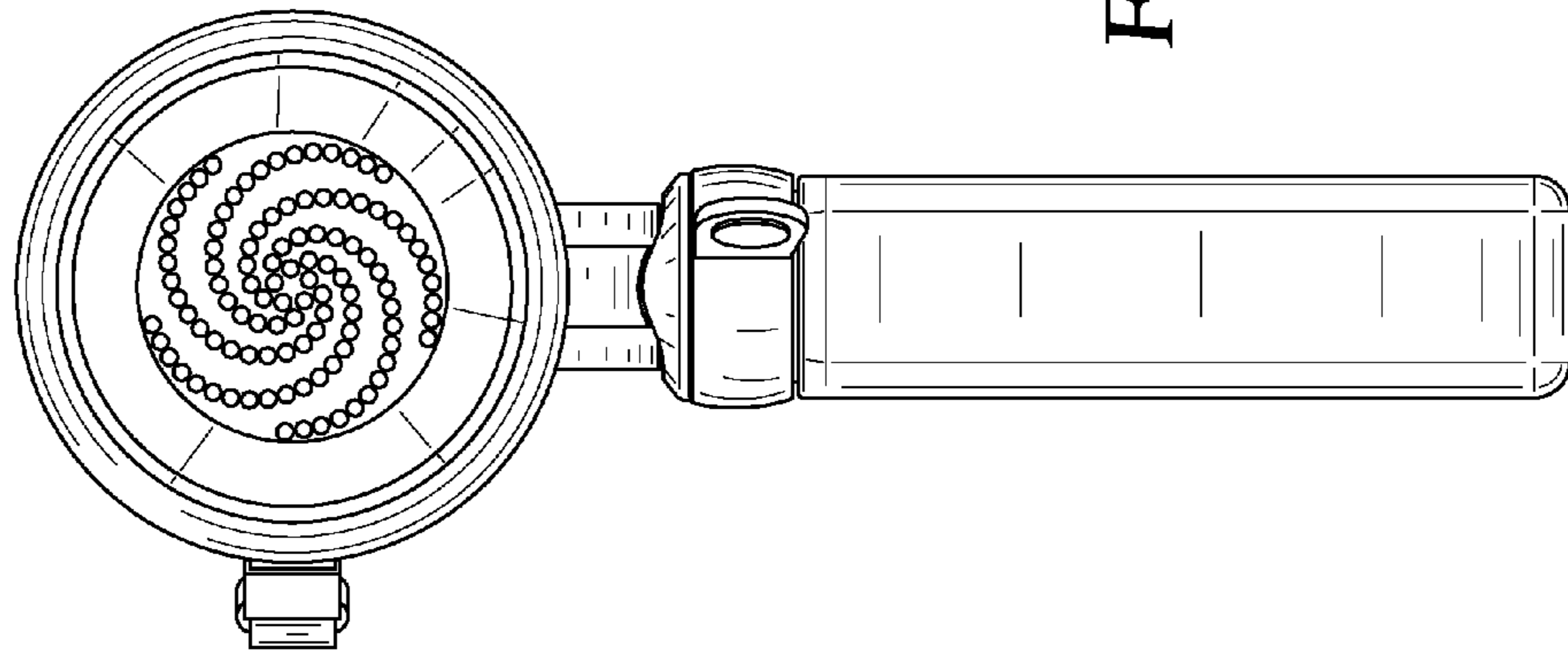


FIG. 5

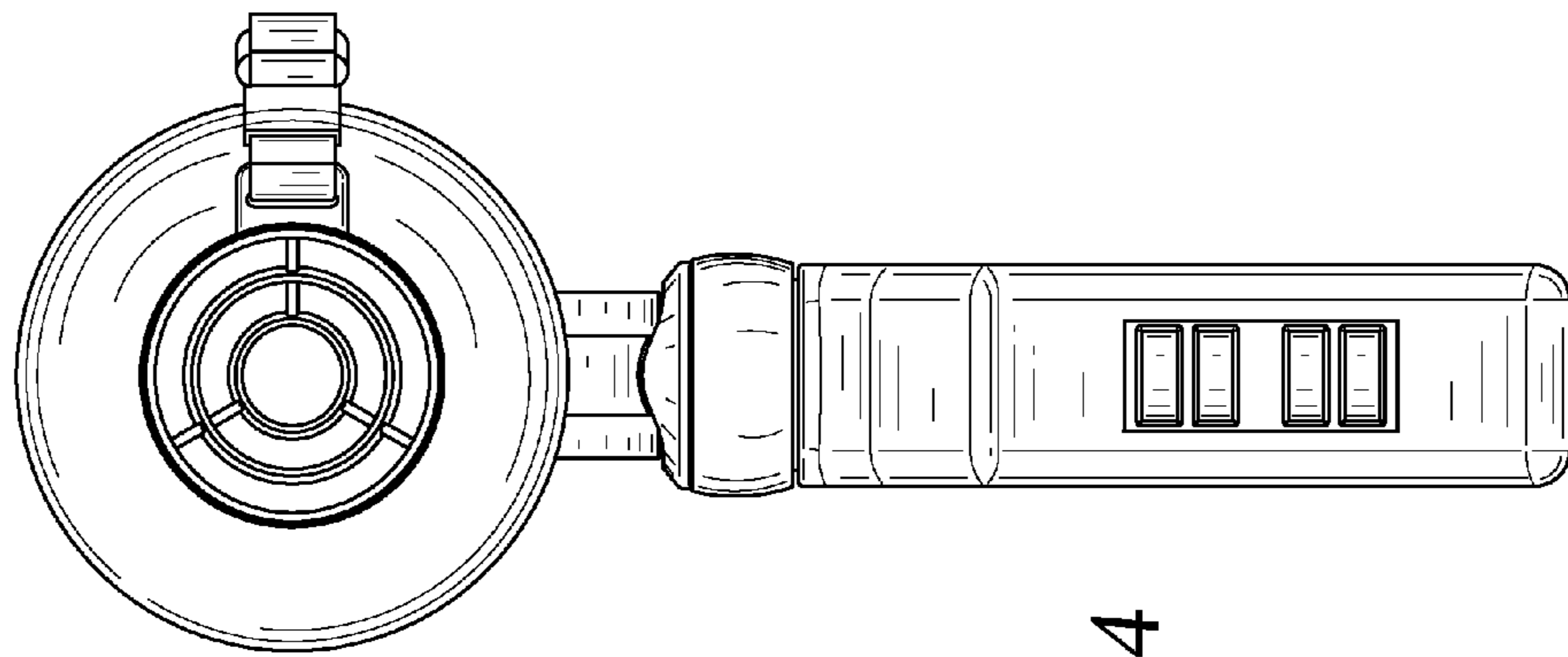


FIG. 4

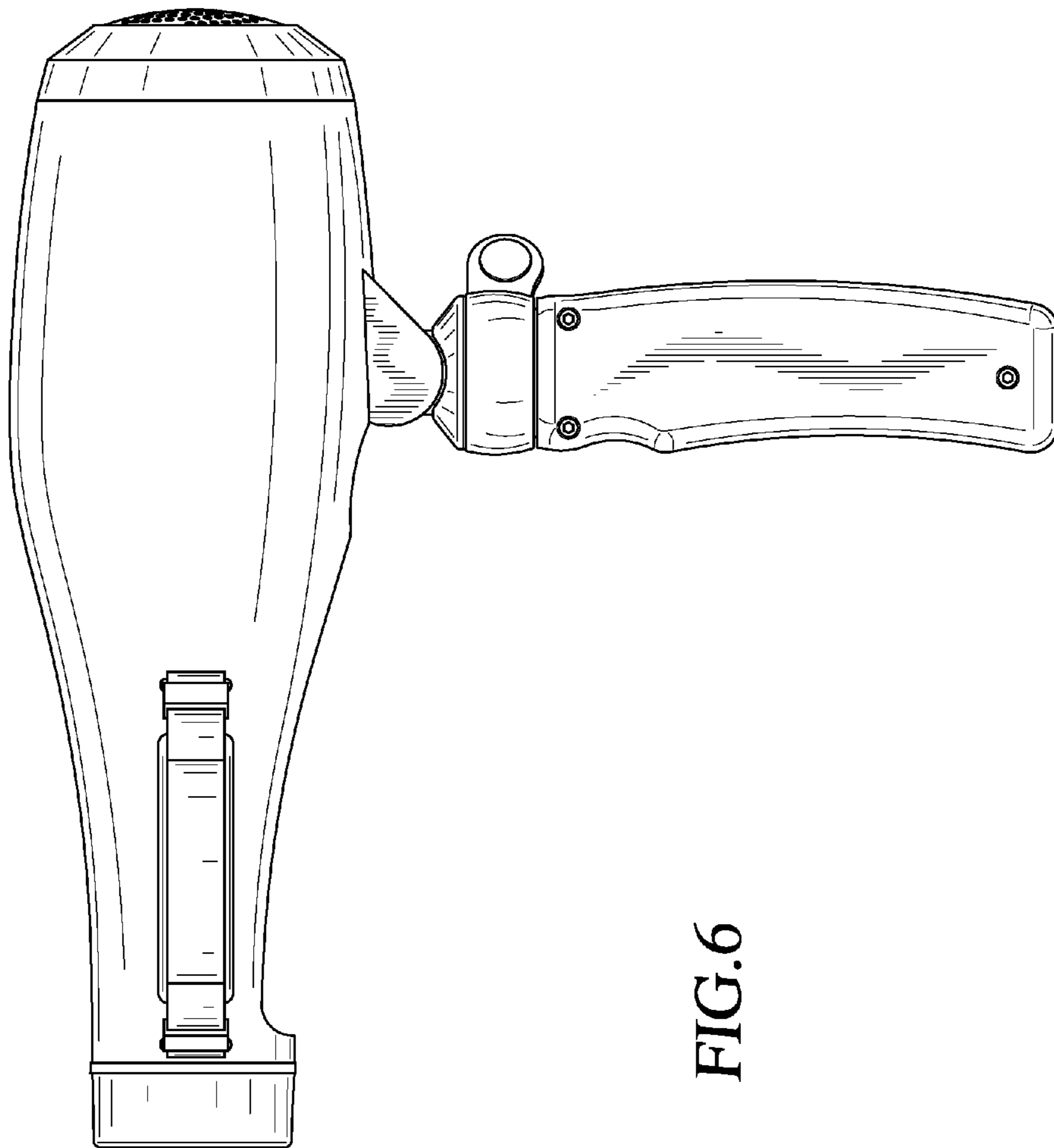


FIG.6

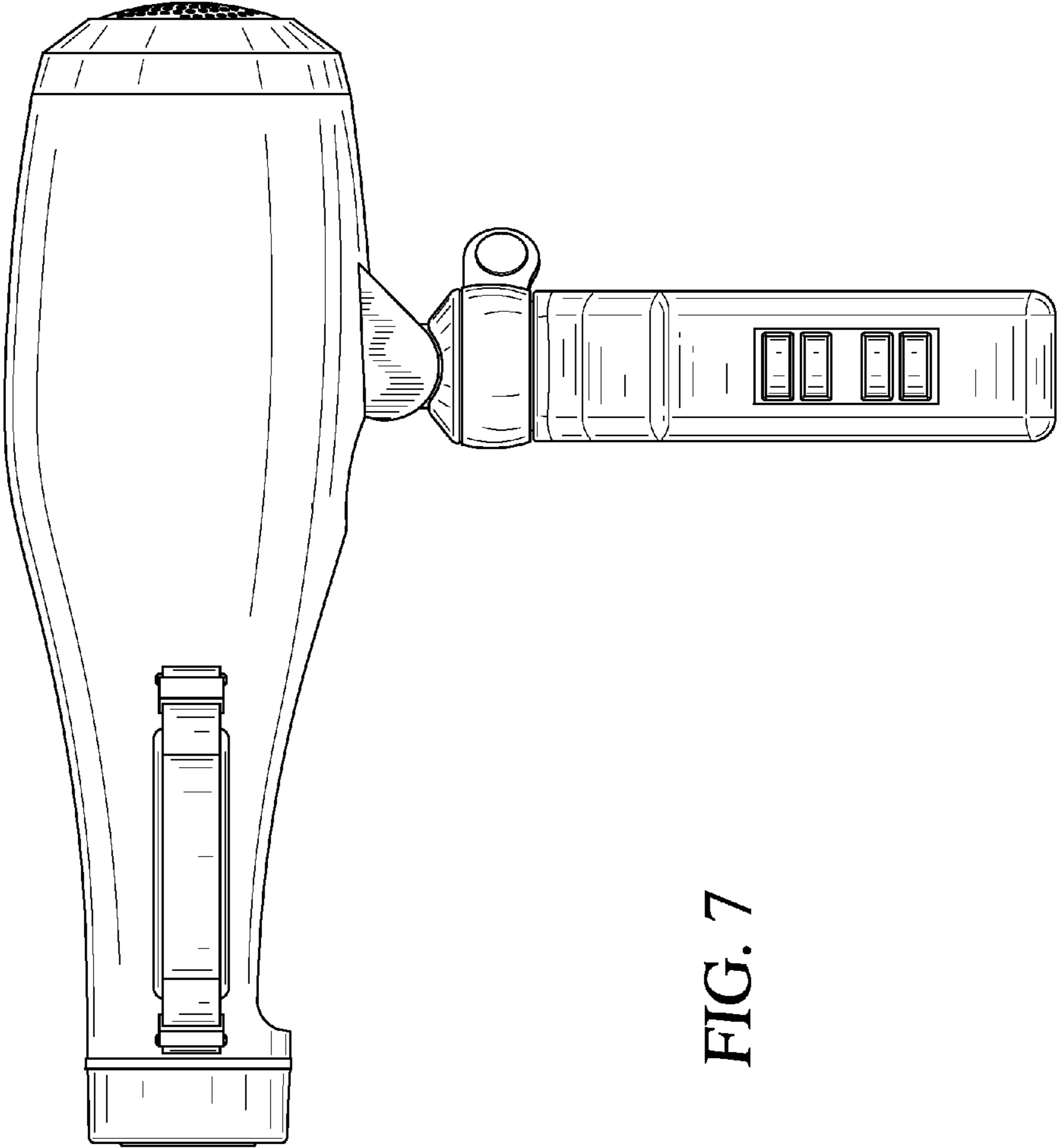


FIG. 7

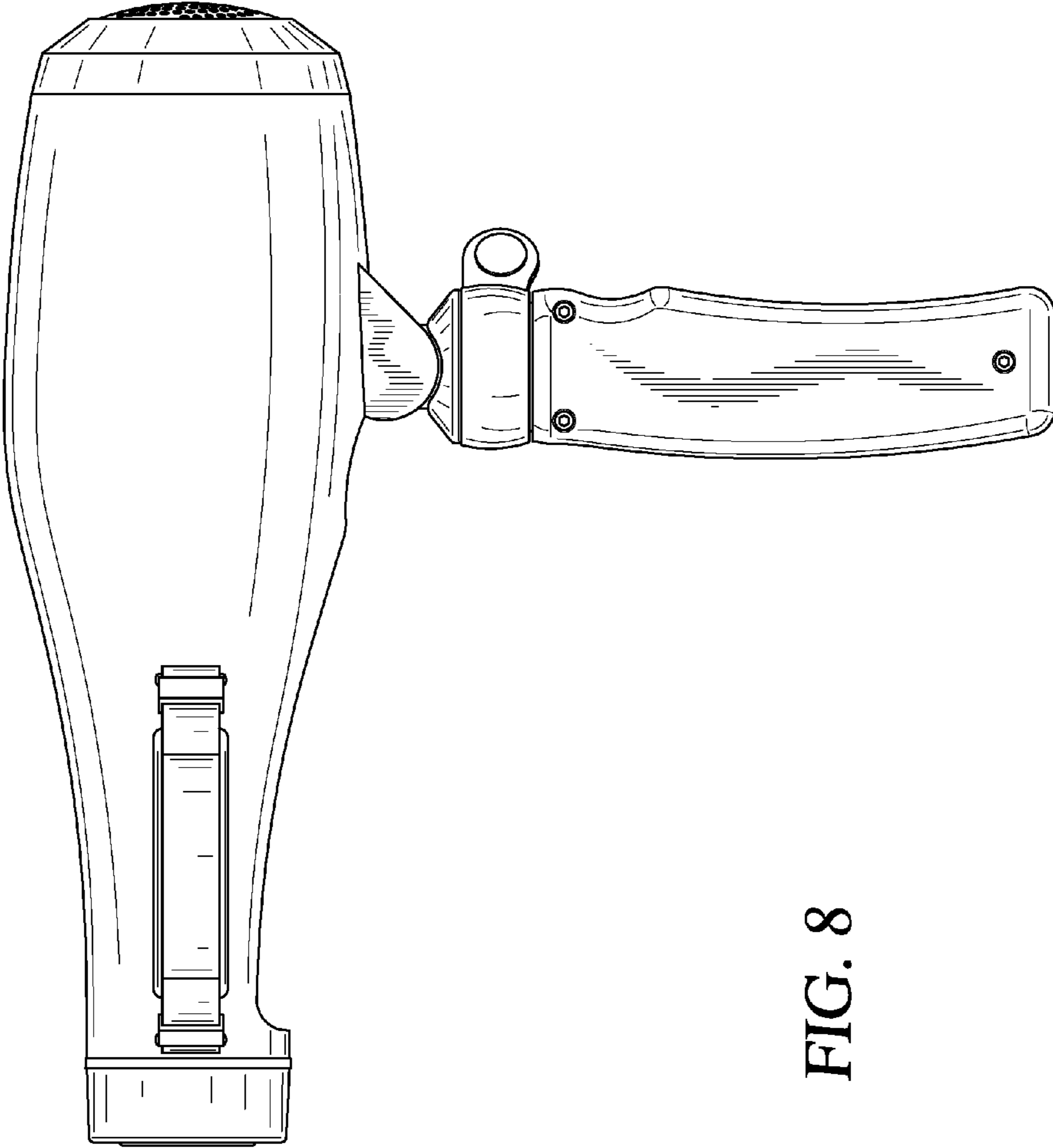


FIG. 8



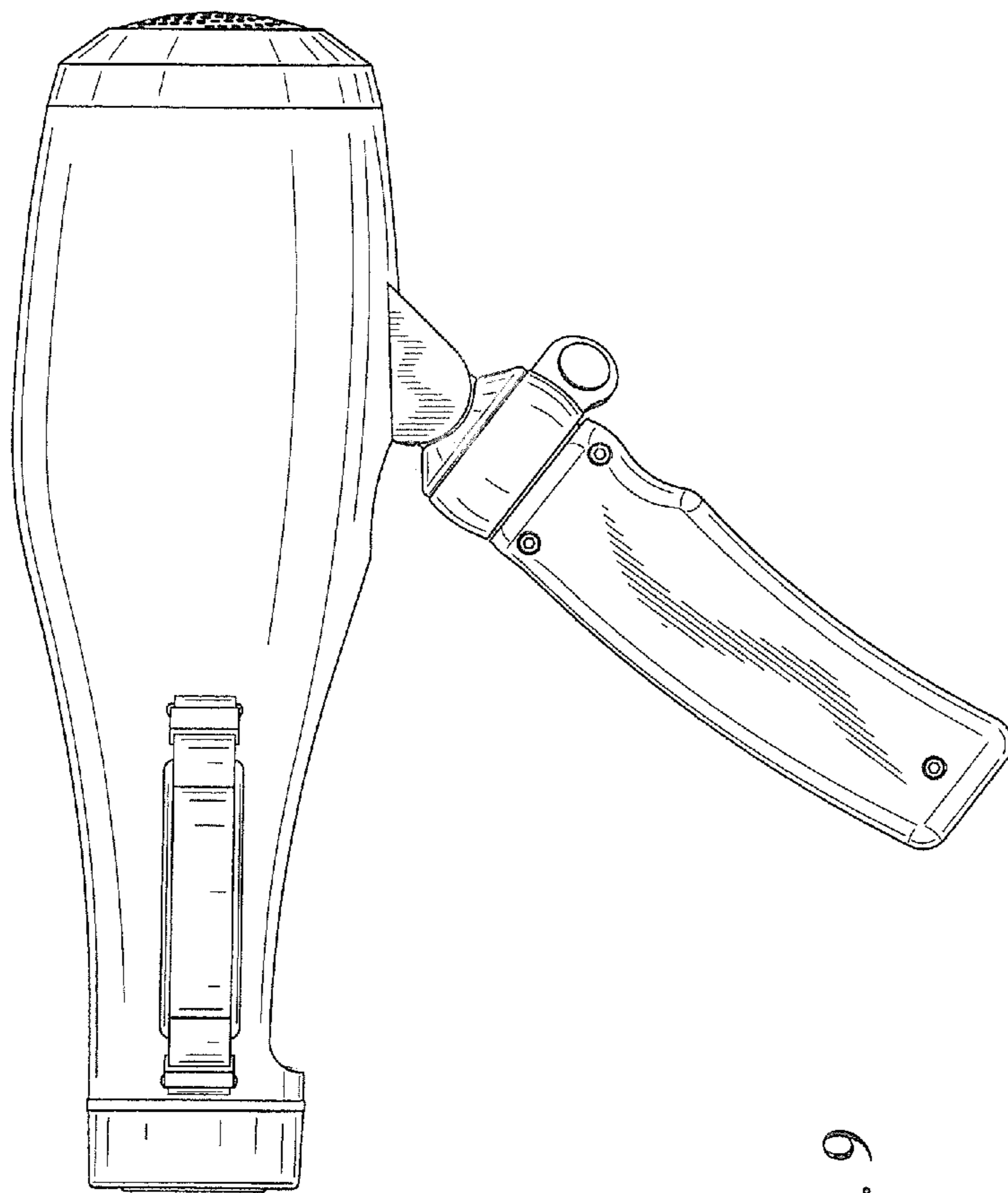


FIG. 9

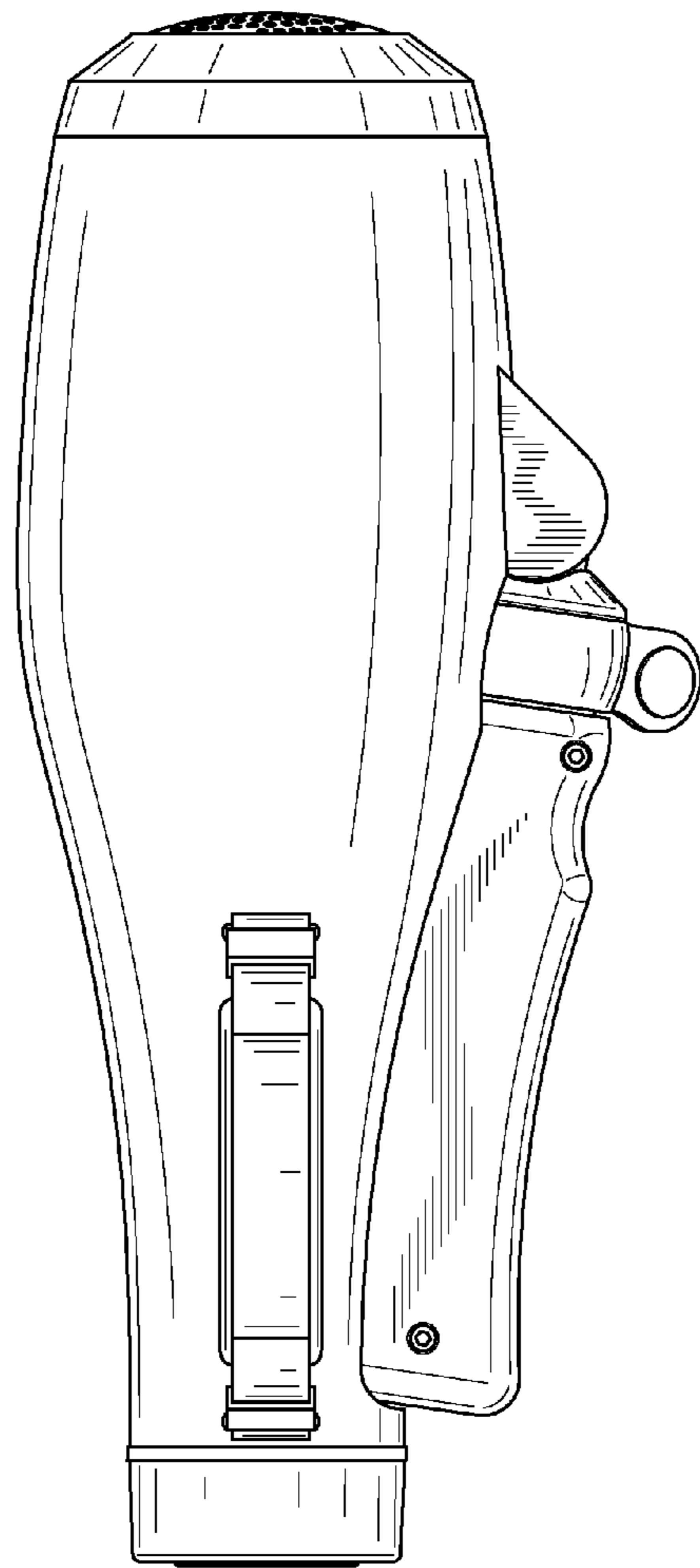


FIG. 10