



US00D646847S

(12) **United States Design Patent**  
**Correll, Jr. et al.**

(10) **Patent No.:** **US D646,847 S**

(45) **Date of Patent:** **\*\* Oct. 11, 2011**

(54) **HAIR DRYER WITH OFFSET PIVOTING HANDLE**

(75) Inventors: **Carroll B. Correll, Jr.**, Winchester, VA (US); **Henry J. Sanders**, Woodbridge, VA (US)

(73) Assignee: **Carroll B. Correll, Jr.**, Winchester, VA (US)

(\*\*) Term: **14 Years**

(21) Appl. No.: **29/387,569**

(22) Filed: **Mar. 15, 2011**

(51) **LOC (9) Cl.** ..... **28-03**

(52) **U.S. Cl.** ..... **D28/13**

(58) **Field of Classification Search** ..... D28/12-19;  
34/96-101; 392/380-385; 219/222  
See application file for complete search history.

(56) **References Cited**

**U.S. PATENT DOCUMENTS**

D294,873 S *	3/1988	Ogawa et al. ....	D28/13
D301,231 S *	5/1989	Yoshiharu ....	D14/147
D369,434 S *	4/1996	LeCompte, Sr. ....	D28/13
D434,182 S *	11/2000	Cheung ....	D28/16
D439,372 S *	3/2001	Yip ....	D28/13
D469,574 S *	1/2003	Lai ....	D28/13
D472,015 S *	3/2003	Young ....	D28/13

D519,242 S *	4/2006	Lin .....	D28/13
D541,982 S *	5/2007	Choi .....	D28/13
D572,097 S *	7/2008	Yung-Kuan .....	D8/29.1
D580,594 S *	11/2008	Leung .....	D28/13
D627,510 S *	11/2010	Zabala .....	D28/13

\* cited by examiner

*Primary Examiner* — Zenia Bennett

(74) *Attorney, Agent, or Firm* — Roberts Mlotkowski Safran & Cole, P.C.

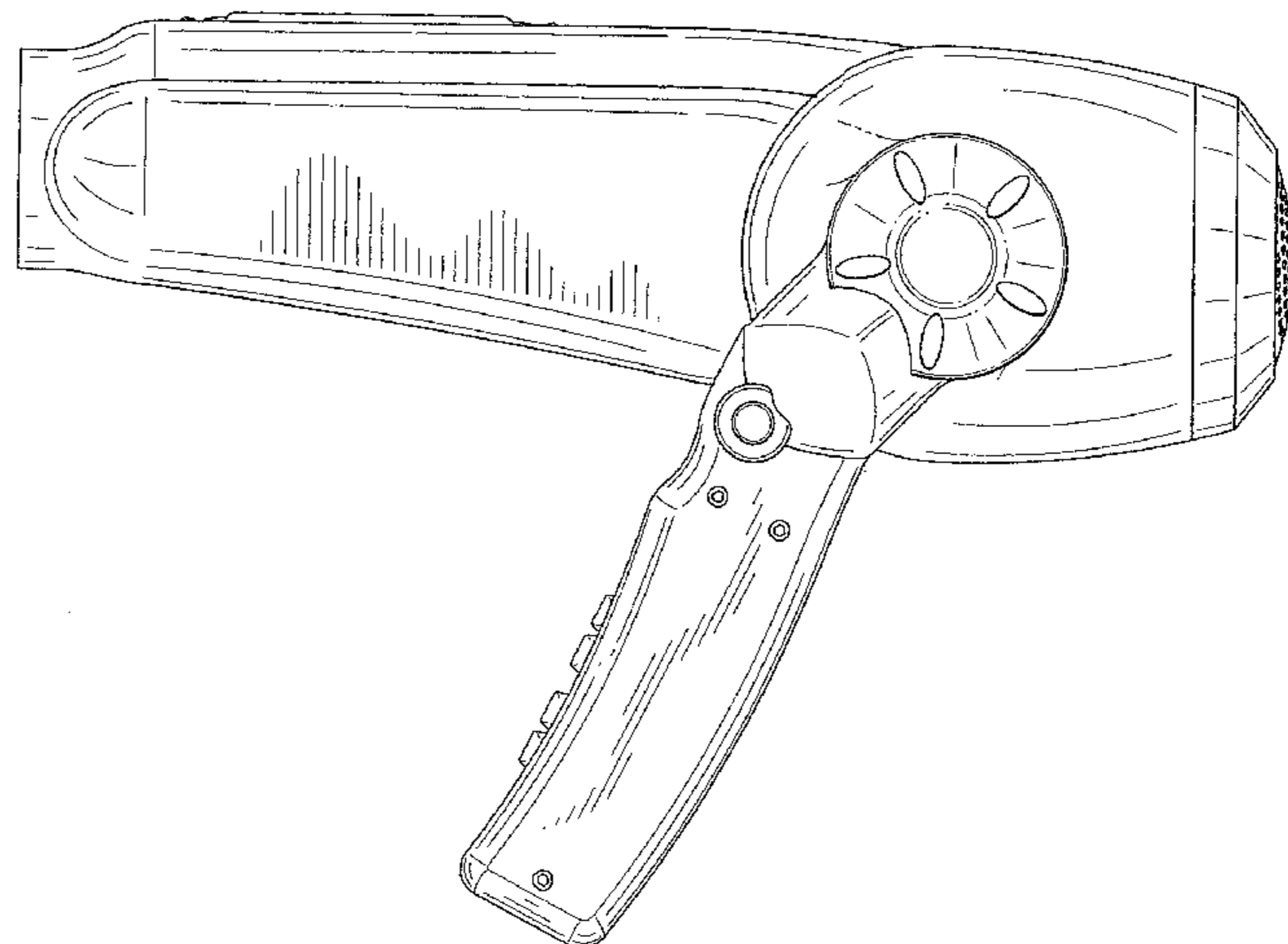
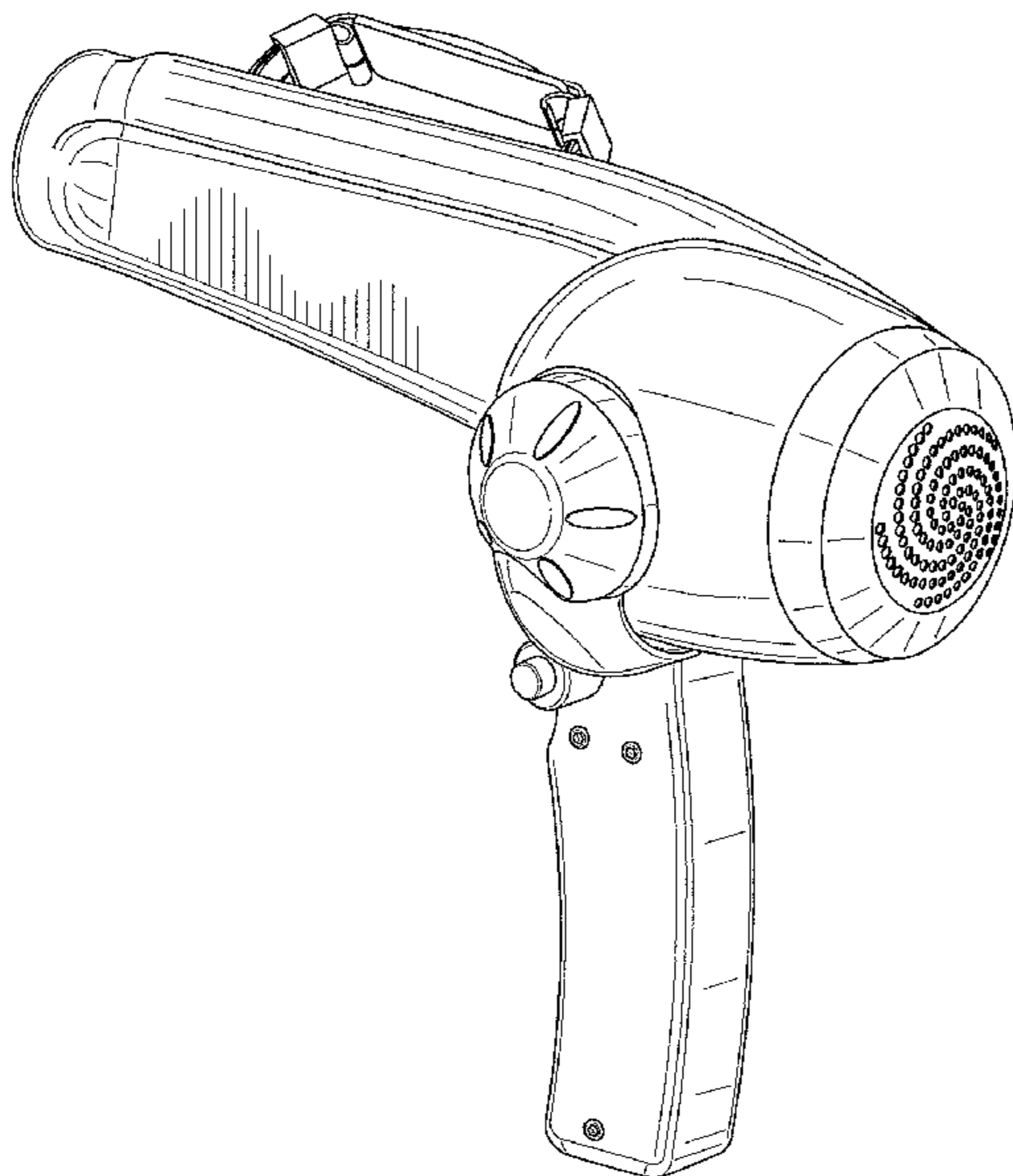
(57) **CLAIM**

The ornamental design for hair dryer with offset pivoting handle, as shown and described.

**DESCRIPTION**

FIG. 1 is a perspective view generally taken from top of the hair dryer showing the design;  
FIG. 2 is a perspective view generally taken from bottom of the hair showing the design;  
FIG. 3 is a side elevational view thereof;  
FIG. 4 is a front elevational view thereof;  
FIG. 5 is a back elevational view thereof;  
FIG. 6 is a top plan view thereof, and  
FIG. 7 is the side view of FIG. 3 illustrating the handle in an alternate folded position; and,  
FIG. 8 is the side view of FIG. 3 illustrating the handle in a completely folded position.

**1 Claim, 7 Drawing Sheets**



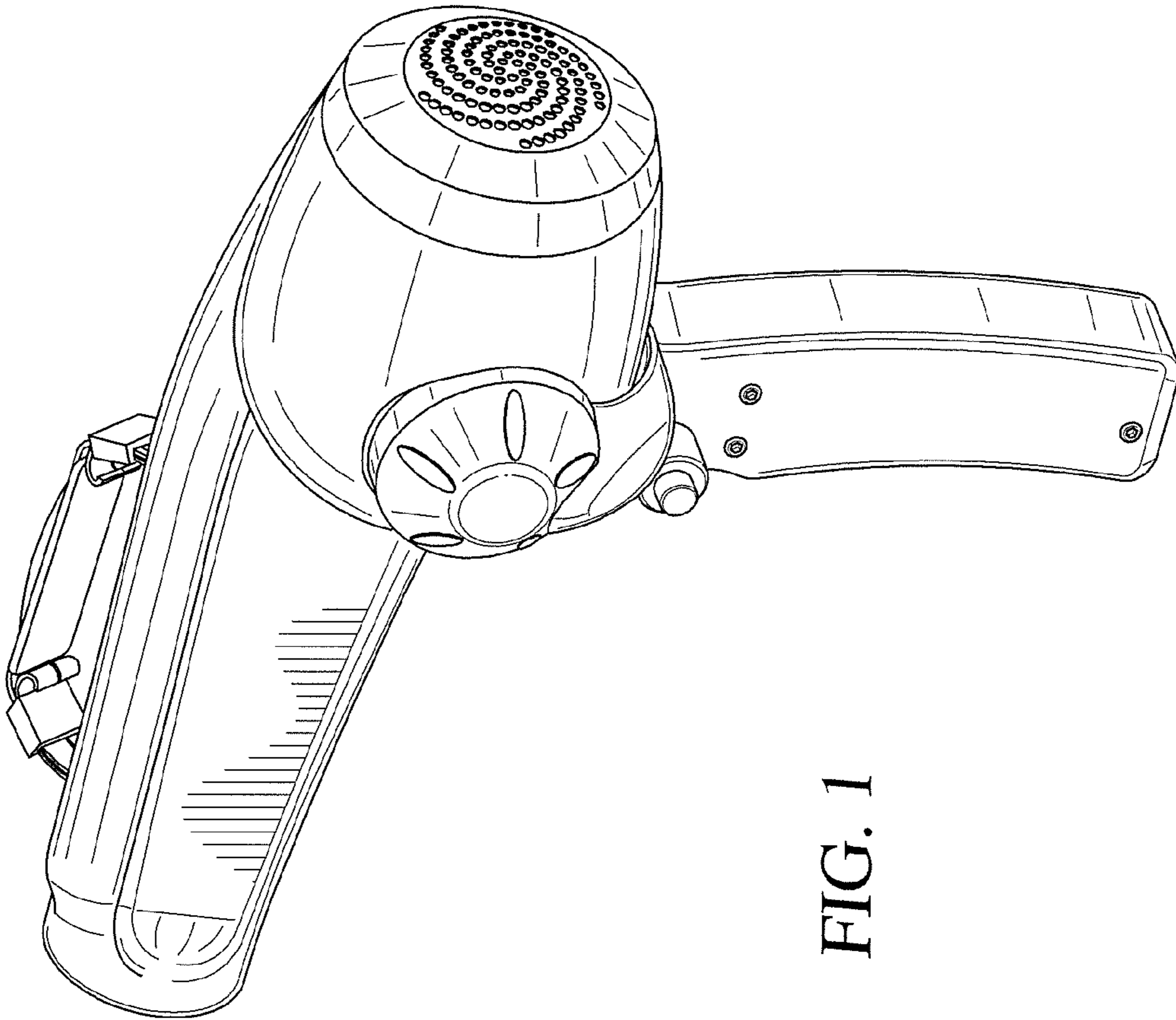
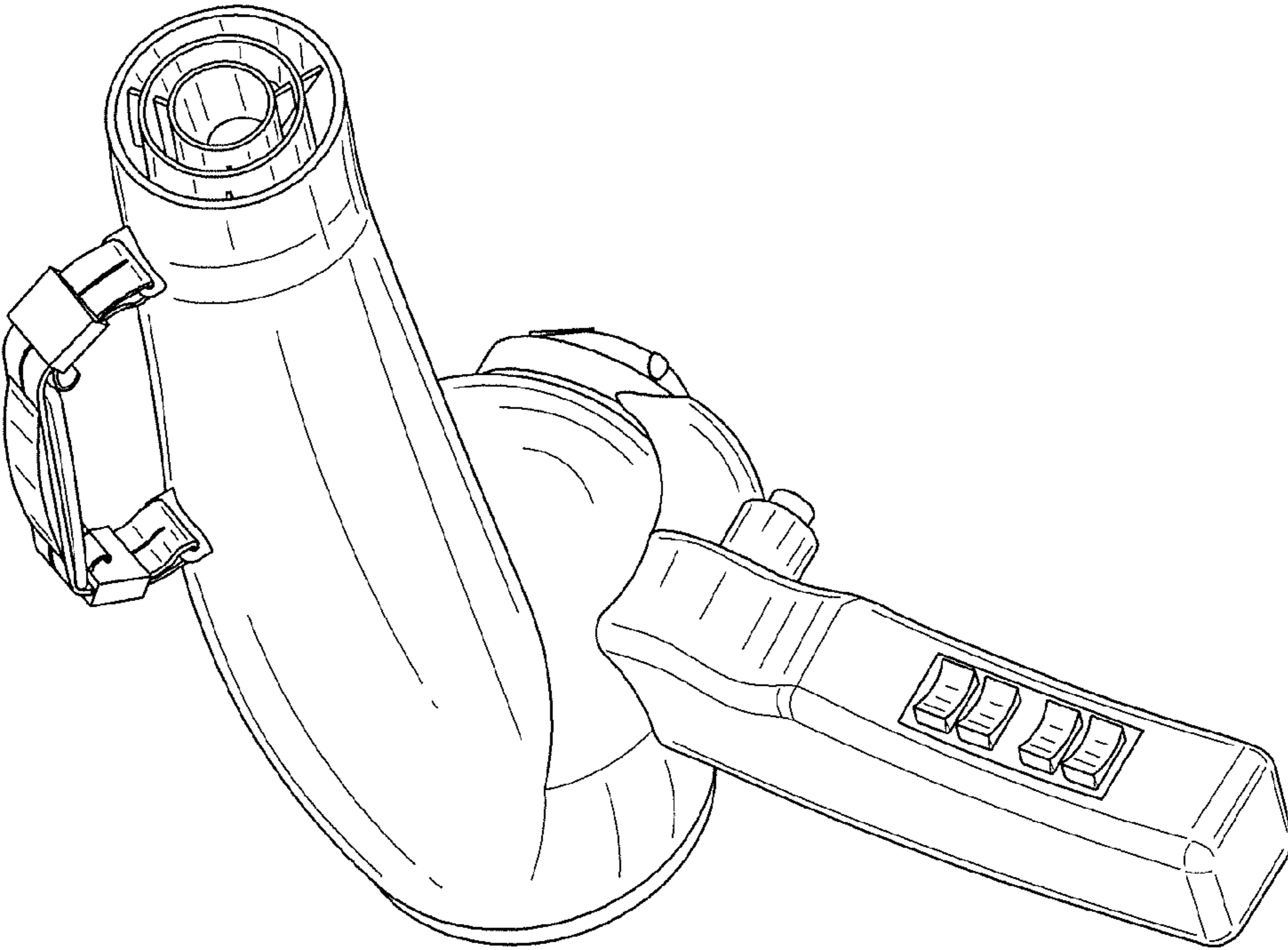


FIG. 1

FIG. 2



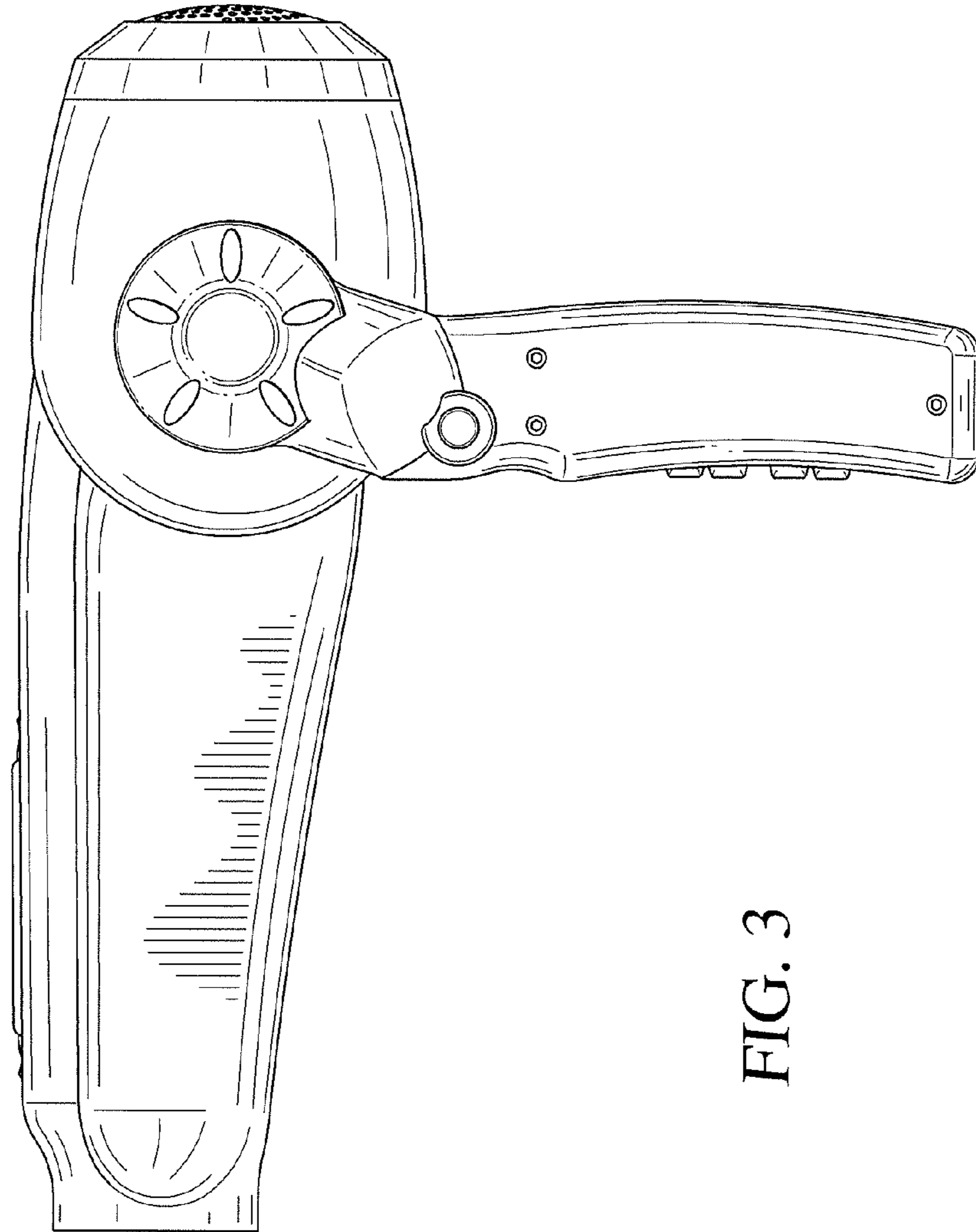
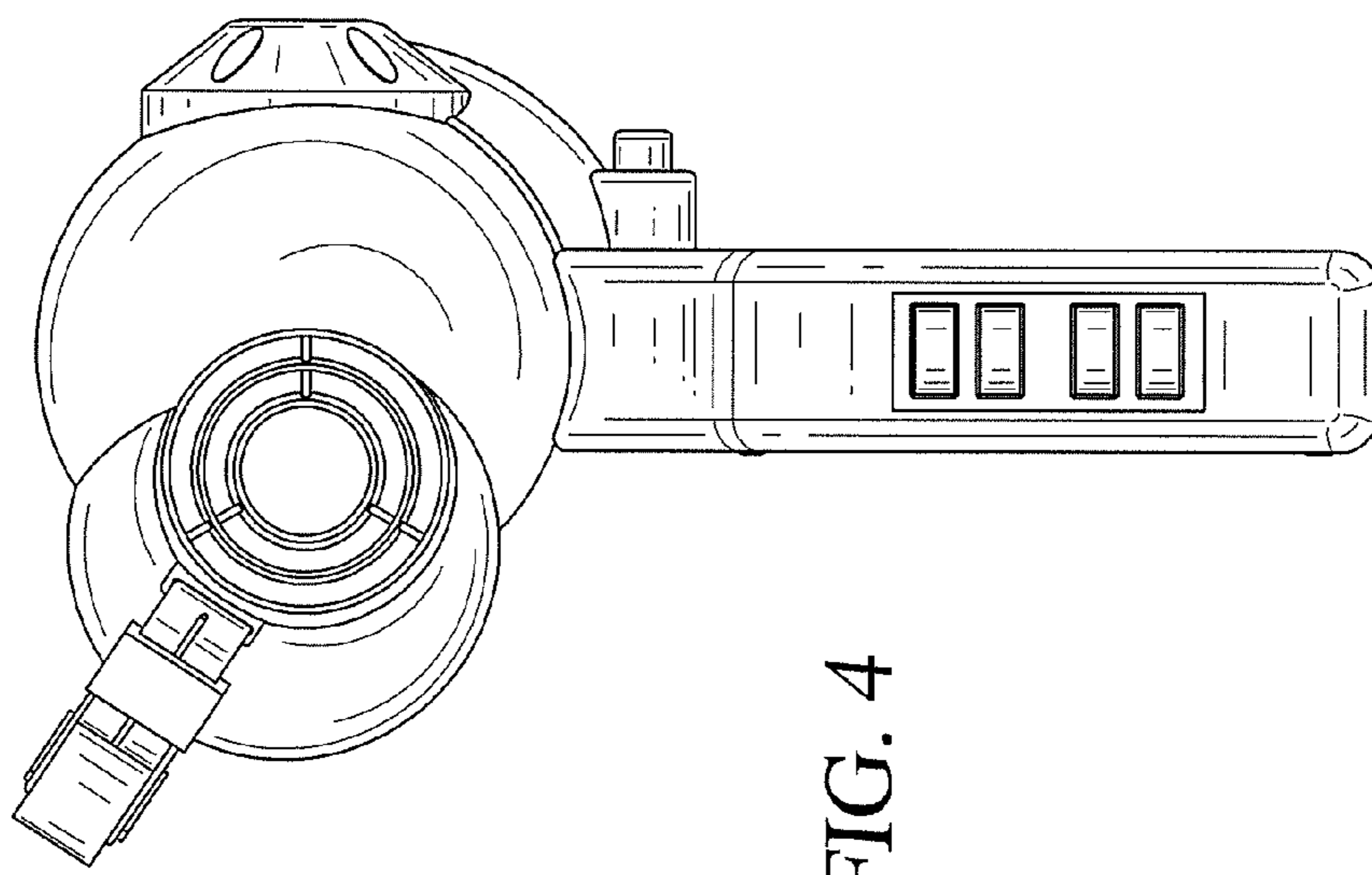
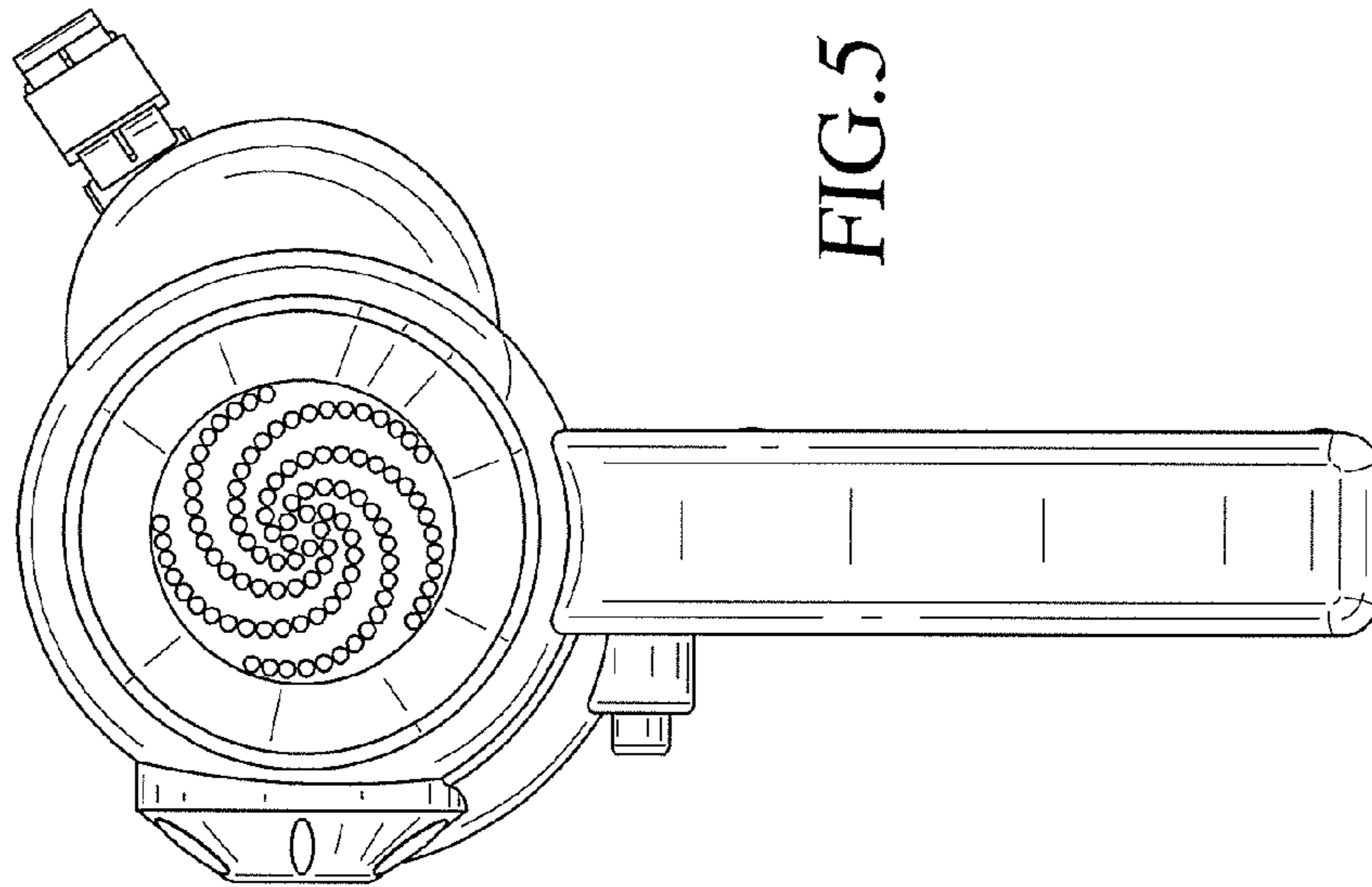


FIG. 3





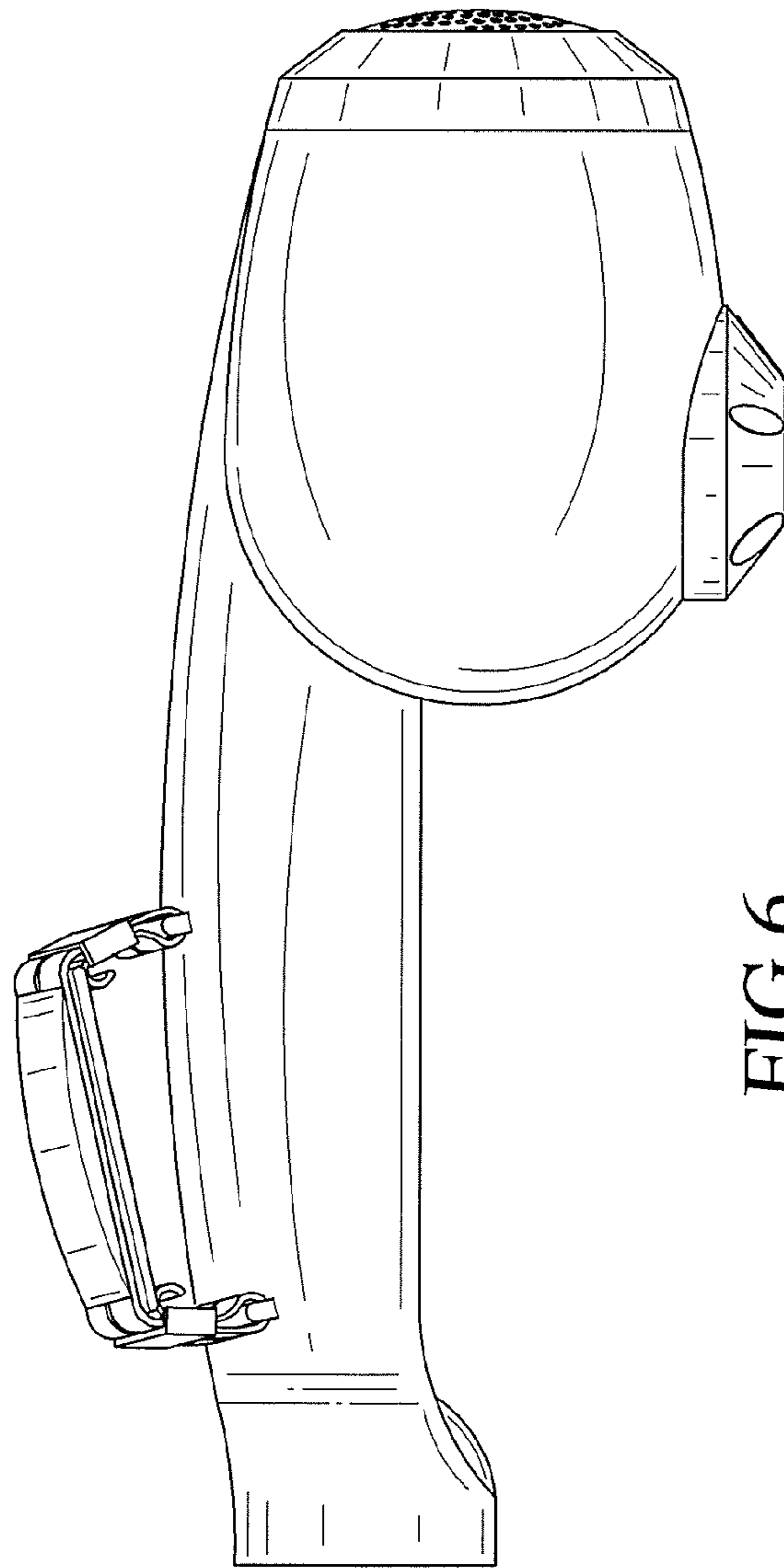


FIG.6

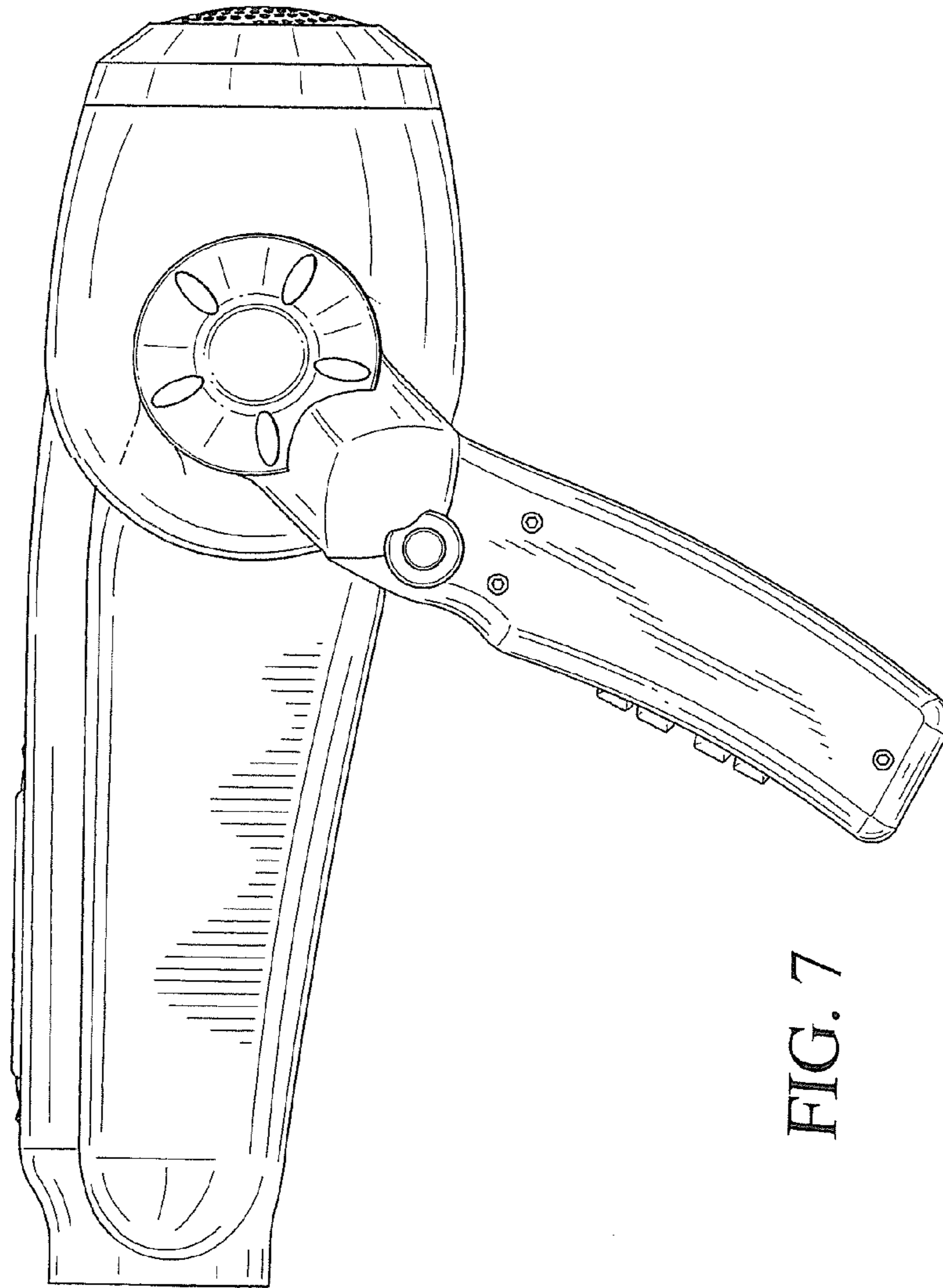


FIG. 7

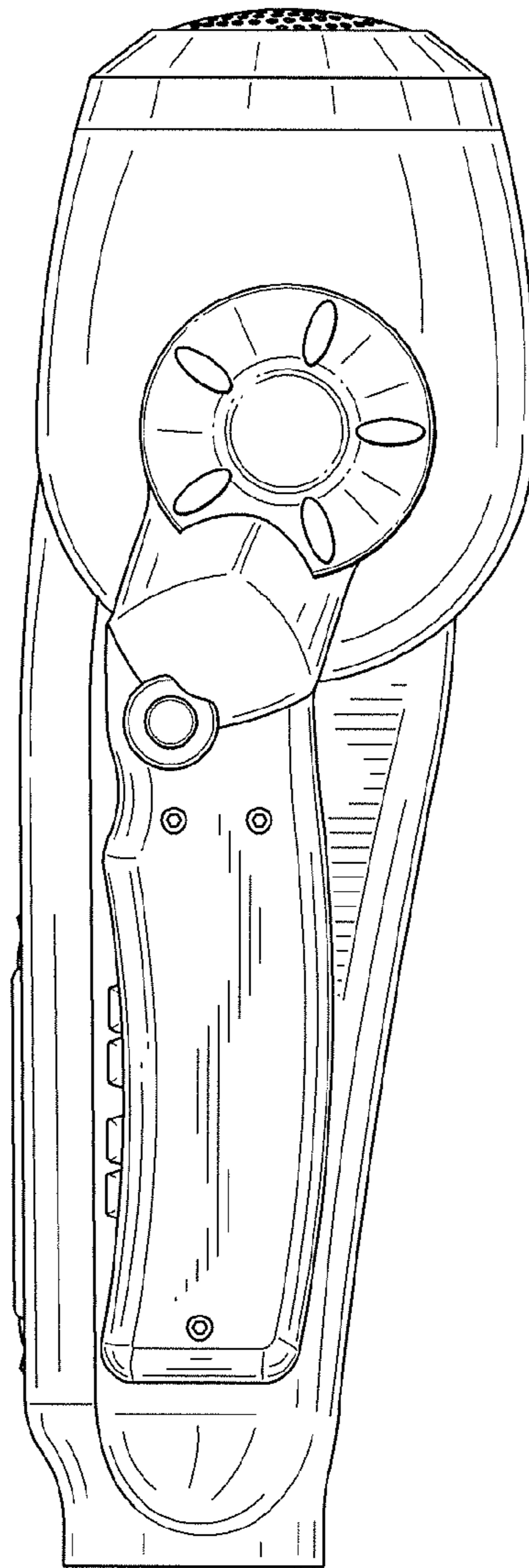


FIG. 8