



US00D646840S

(12) **United States Design Patent**  
**Polka et al.**

(10) **Patent No.:** **US D646,840 S**  
(45) **Date of Patent:** **\*\* Oct. 11, 2011**

(54) **LIGHT BRACKET**

(75) Inventors: **John Polka**, Gurnee, IL (US); **Cory Polka**, Gurnee, IL (US)

(73) Assignee: **RealWheels Corporation**, Gurnee, IL (US)

(\*\*) Term: **14 Years**

(21) Appl. No.: **29/385,346**

(22) Filed: **Feb. 11, 2011**

(51) **LOC (9) Cl.** ..... **26-99**

(52) **U.S. Cl.** ..... **D26/138**

(58) **Field of Classification Search** ..... D26/118,  
D26/120, 138, 76, 78, 86, 2, 72, 67, 89, 60,  
D26/74, 81, 85, 113, 119, 122, 128, 129,  
D26/140, 142, 145, 152, 132, 93, 94, 3, 154,  
D26/87, 42, 37; D34/29; 315/194, 51; 362/612,  
362/307, 294, 545, 555, 146, 145, 396, 362,  
362/260; 165/185, 121, 80.3; D12/162;  
D8/354, 355, 356, 363, 373, 349, 376, 381,  
D8/352; 16/340; D13/179, 180, 134; D25/163,  
D25/157, 158; D6/320, 327, 362, 403, 405,  
D6/449, 459, 460, 540, 545, 553, 556, 572,  
D6/574; 248/629, 674, 675, 447.1, 475.1,  
248/518, 534, 535, 536, 174, 200, 205.1,  
248/207, 236, 235, 247, 300

See application file for complete search history.

(56) **References Cited**

**U.S. PATENT DOCUMENTS**

2,369,687	A *	2/1945	Ralston	.....	403/403
D168,074	S *	10/1952	Symington	.....	D8/354
D226,808	S *	5/1973	Rollins	.....	D12/162
D244,748	S *	6/1977	Canterbury	.....	D8/380
D253,887	S *	1/1980	Turner et al.	.....	D13/199
D260,481	S *	9/1981	Norcross et al.	.....	D8/394

D265,720	S *	8/1982	Harrison	.....	D8/346
D300,099	S *	3/1989	Cole	.....	D6/572
D306,133	S *	2/1990	Zupancic	.....	D8/354
4,964,525	A *	10/1990	Coffey et al.	.....	220/3.9
D364,332	S *	11/1995	Sachs	.....	D8/354
D382,245	S *	8/1997	Bedrosian et al.	.....	D12/223
D408,716	S *	4/1999	Vesledahl	.....	D8/354
D486,791	S *	2/2004	Franks, Jr.	.....	D13/133
D487,693	S *	3/2004	Moen	.....	D8/363
D500,666	S *	1/2005	Murphy et al.	.....	D8/354
6,886,799	B2 *	5/2005	Yamanashi	.....	248/610
D535,985	S *	1/2007	Sergi	.....	D14/238
D563,771	S *	3/2008	Prechtel et al.	.....	D8/354
7,421,762	B2 *	9/2008	Lu et al.	.....	16/328
D583,221	S *	12/2008	Johnsen	.....	D8/354
D599,643	S *	9/2009	Dinh	.....	D8/354
D605,930	S *	12/2009	Piersant	.....	D8/381
D608,619	S *	1/2010	Gulbrandsen et al.	.....	D8/354
D630,459	S *	1/2011	Millspaugh	.....	D6/574
D638,694	S *	5/2011	Misch	.....	D8/380

\* cited by examiner

*Primary Examiner* — Cathron Brooks

*Assistant Examiner* — Kevin Rudzinski

(74) *Attorney, Agent, or Firm* — Jansson Shupe & Munger Ltd.

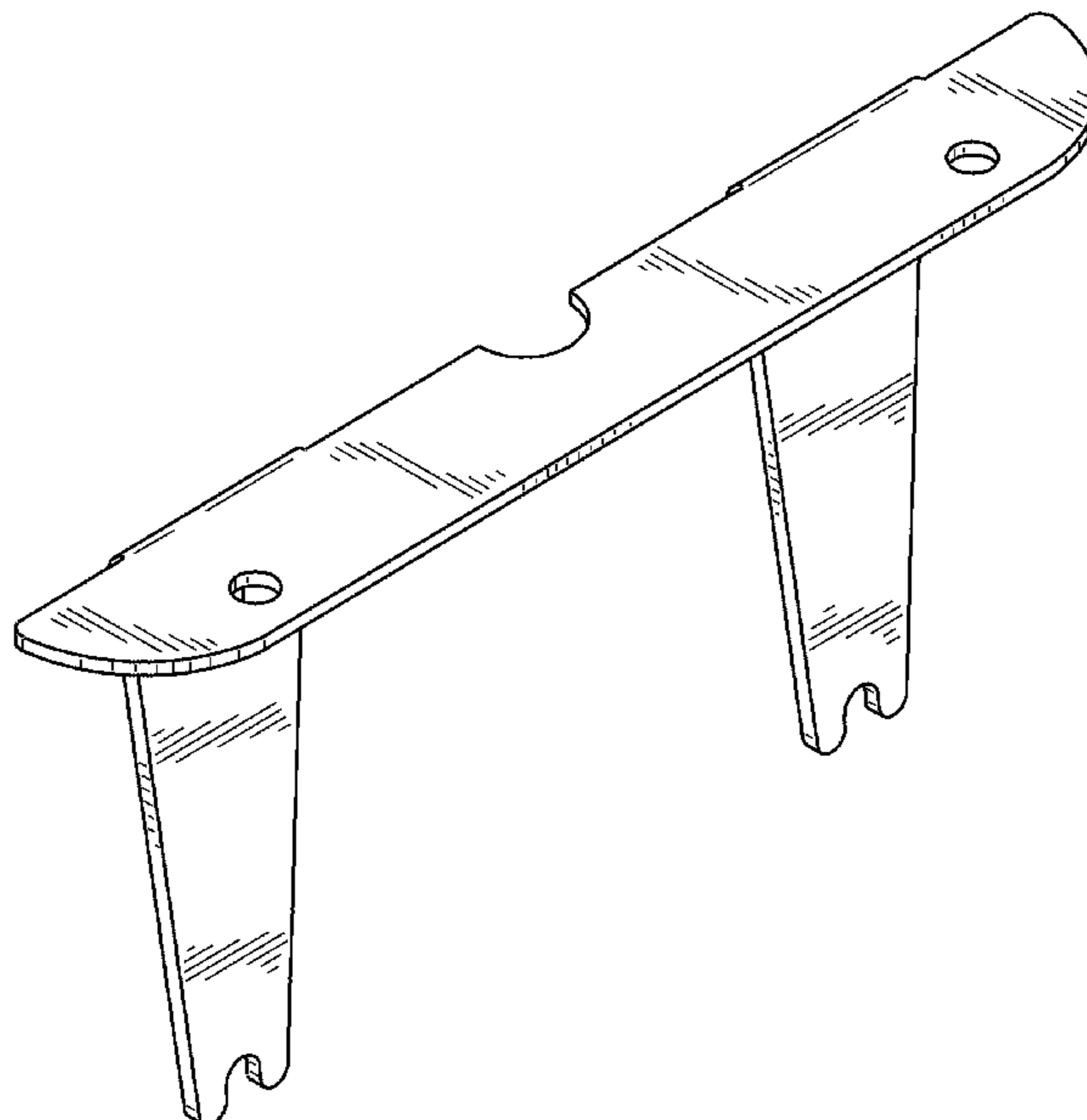
(57) **CLAIM**

The ornamental design for a light bracket, as shown and described.

**DESCRIPTION**

FIG. 1 is a perspective view of the light bracket;  
FIG. 2 is a front elevation of the light bracket of FIG. 1;  
FIG. 3 is a top plan of the light bracket of FIG. 1;  
FIG. 4 is a right-side elevation of the light bracket of FIG. 1,  
a left-side elevation is a mirror image thereof;  
FIG. 5 is a front elevation of the light bracket of FIG. 1; and,  
FIG. 6 is a bottom plan of the light bracket of FIG. 1.

**1 Claim, 3 Drawing Sheets**



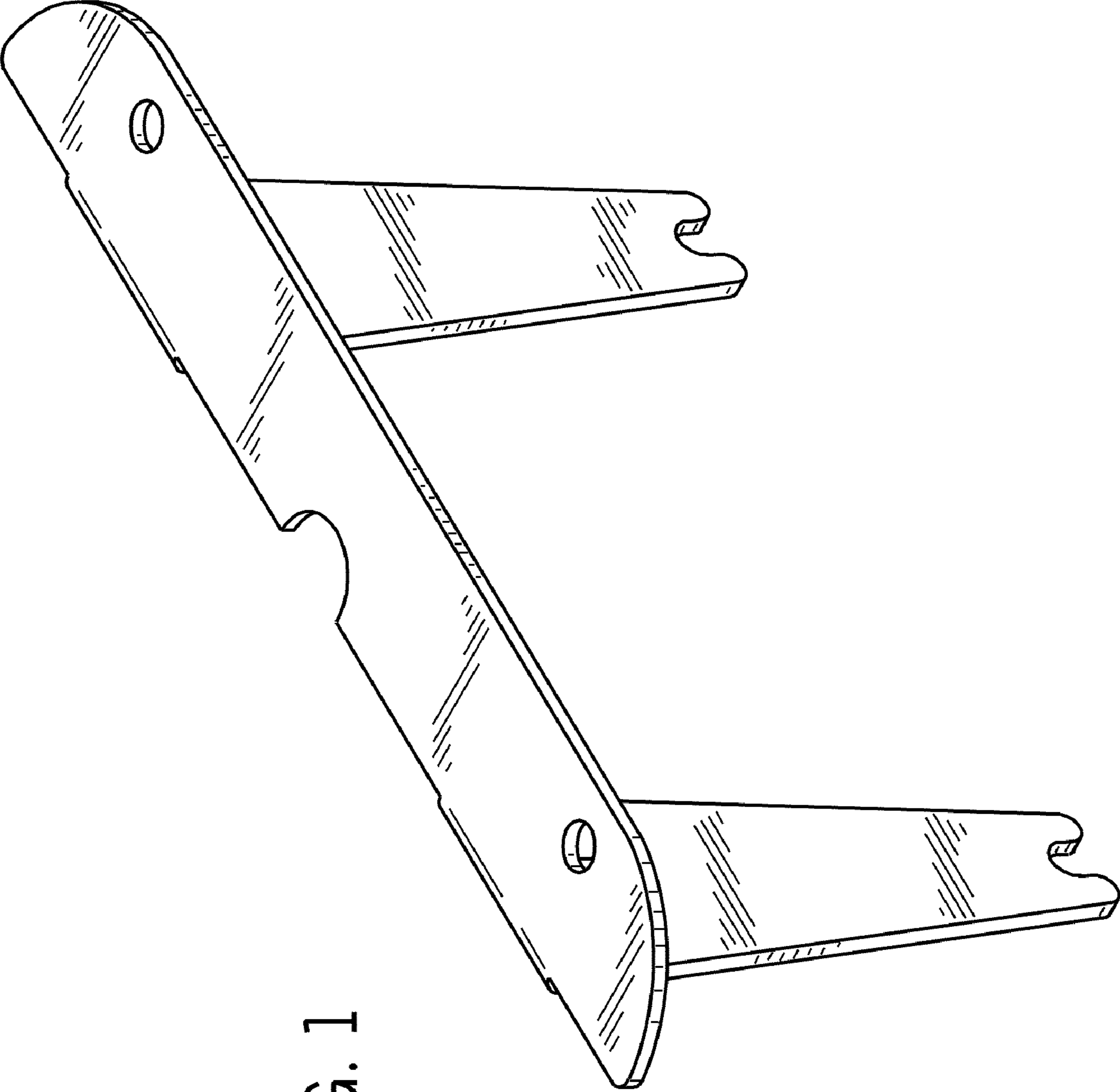


FIG. 1



FIG. 4

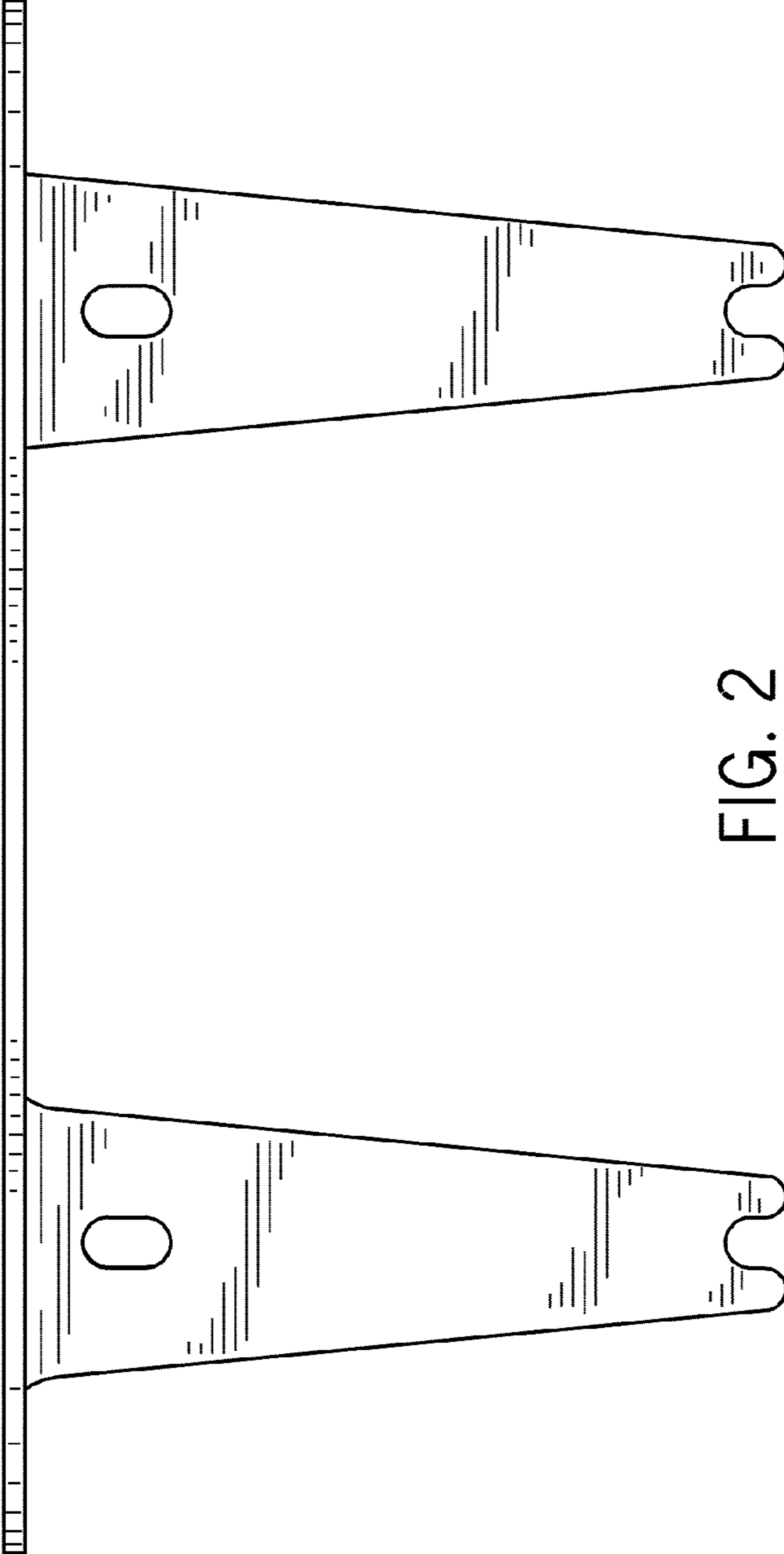


FIG. 2

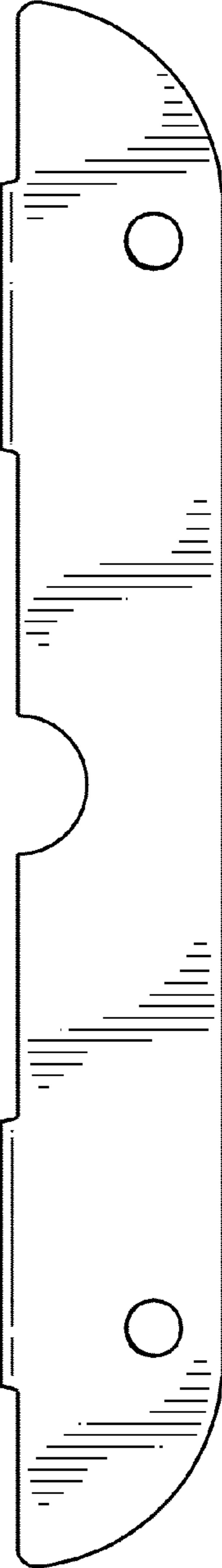


FIG. 3

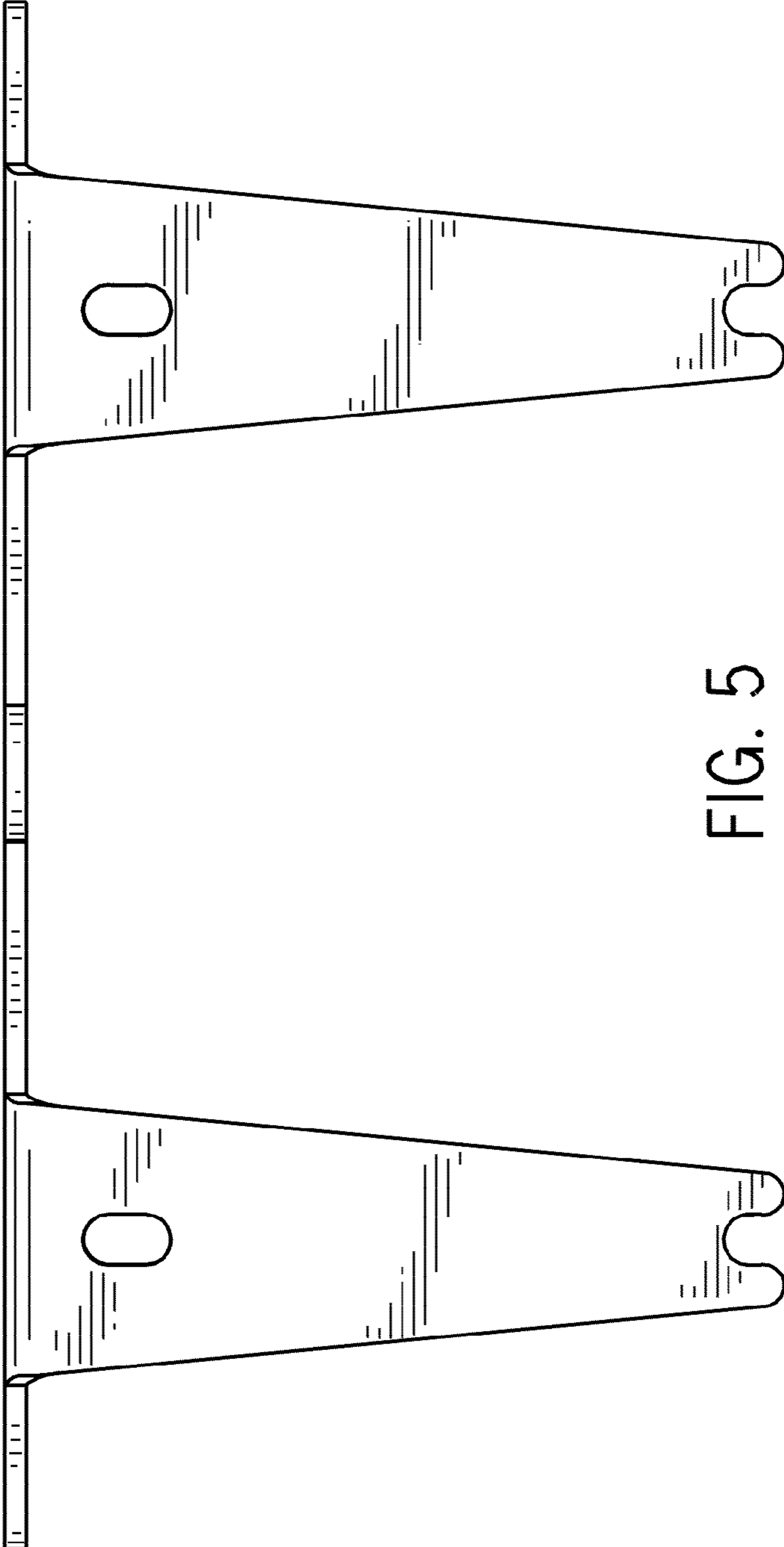


FIG. 5

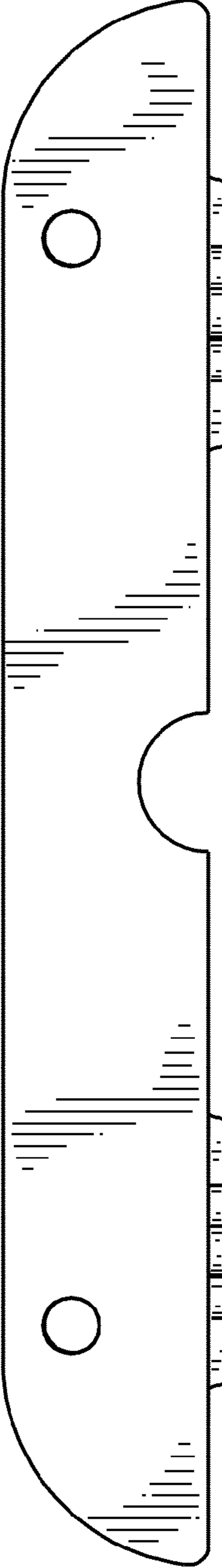


FIG. 6