



US00D646839S

(12) **United States Design Patent**  
**Verelst**

(10) **Patent No.:** **US D646,839 S**  
(45) **Date of Patent:** **\*\* Oct. 11, 2011**

(54) **LUMINAIRE**

(75) Inventor: **Dirk Verelst**, Boechout (BE)

(73) Assignee: **Koninklijke Philips Electronics N.V.**,  
Eindhoven (NL)

(\*\*) Term: **14 Years**

(21) Appl. No.: **29/369,318**

(22) Filed: **Sep. 7, 2010**

(30) **Foreign Application Priority Data**

Mar. 18, 2010 (EM) ..... 001683038-0004

(51) **LOC (9) Cl.** ..... **26-03**

(52) **U.S. Cl.** ..... **D26/106; D26/93**

(58) **Field of Classification Search** ..... D26/1,  
D26/24, 67, 93-94, 104-110; 362/3, 153,  
362/186, 217, 255, 257, 277, 317, 351, 353,  
362/362, 363, 382, 431, 433, 458, 806  
See application file for complete search history.

(56) **References Cited**

**U.S. PATENT DOCUMENTS**

D76,276 S \* 9/1928 Wolter ..... D26/105  
D112,639 S \* 12/1938 Higgins ..... D26/112

D204,793 S \* 5/1966 Rodriguez ..... D26/93  
D280,348 S \* 8/1985 Pupulidy ..... D26/93  
D328,152 S \* 7/1992 Benghozi ..... D26/106  
D370,071 S \* 5/1996 Sonneman ..... D26/106  
D414,289 S \* 9/1999 Diaz-Azcuy ..... D26/110  
D433,176 S \* 10/2000 Barry ..... D26/112  
D484,271 S \* 12/2003 Chandler ..... D26/93  
D536,474 S \* 2/2007 Chandler ..... D26/93  
D577,457 S \* 9/2008 Chandler ..... D26/93

\* cited by examiner

*Primary Examiner* — Brian N Vinson

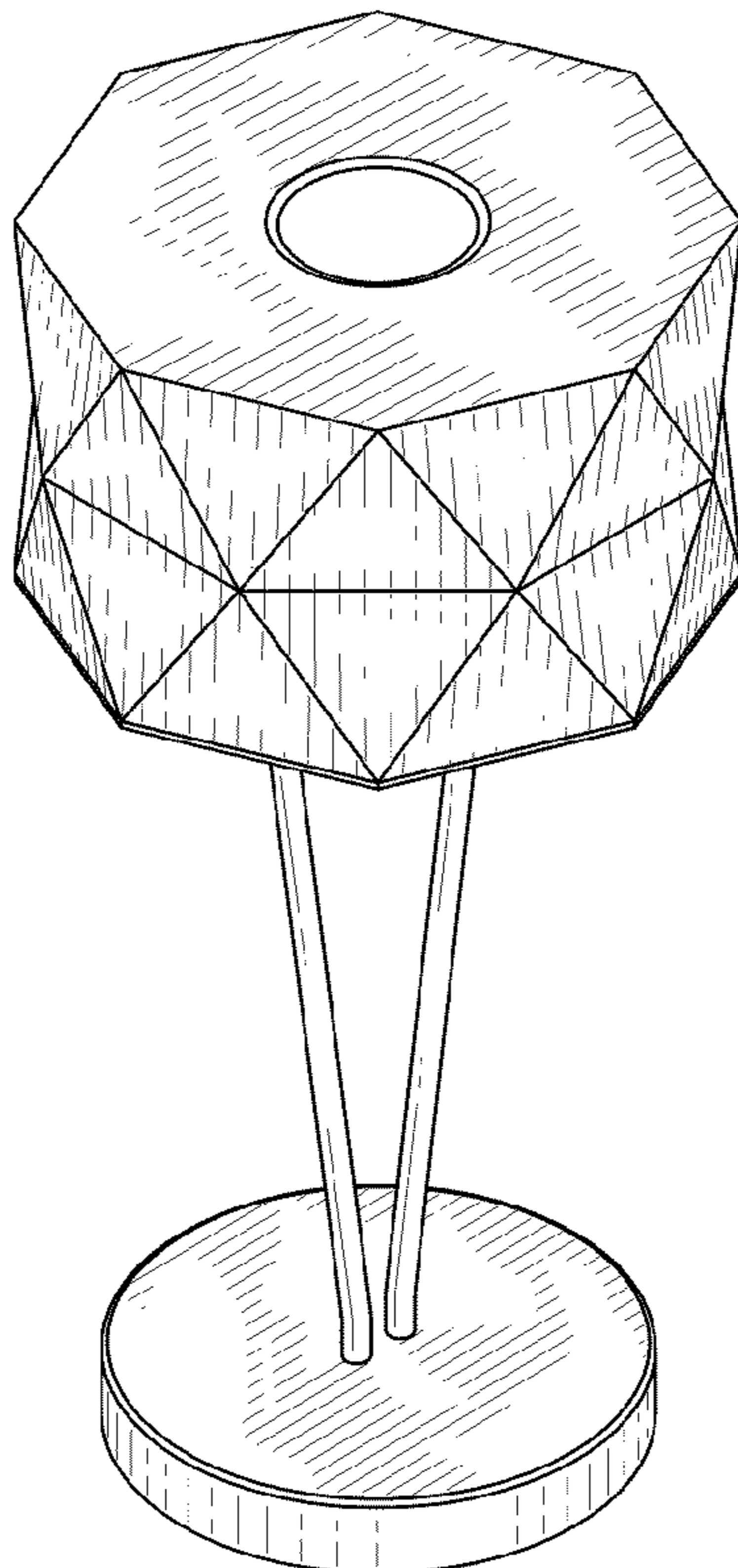
(57) **CLAIM**

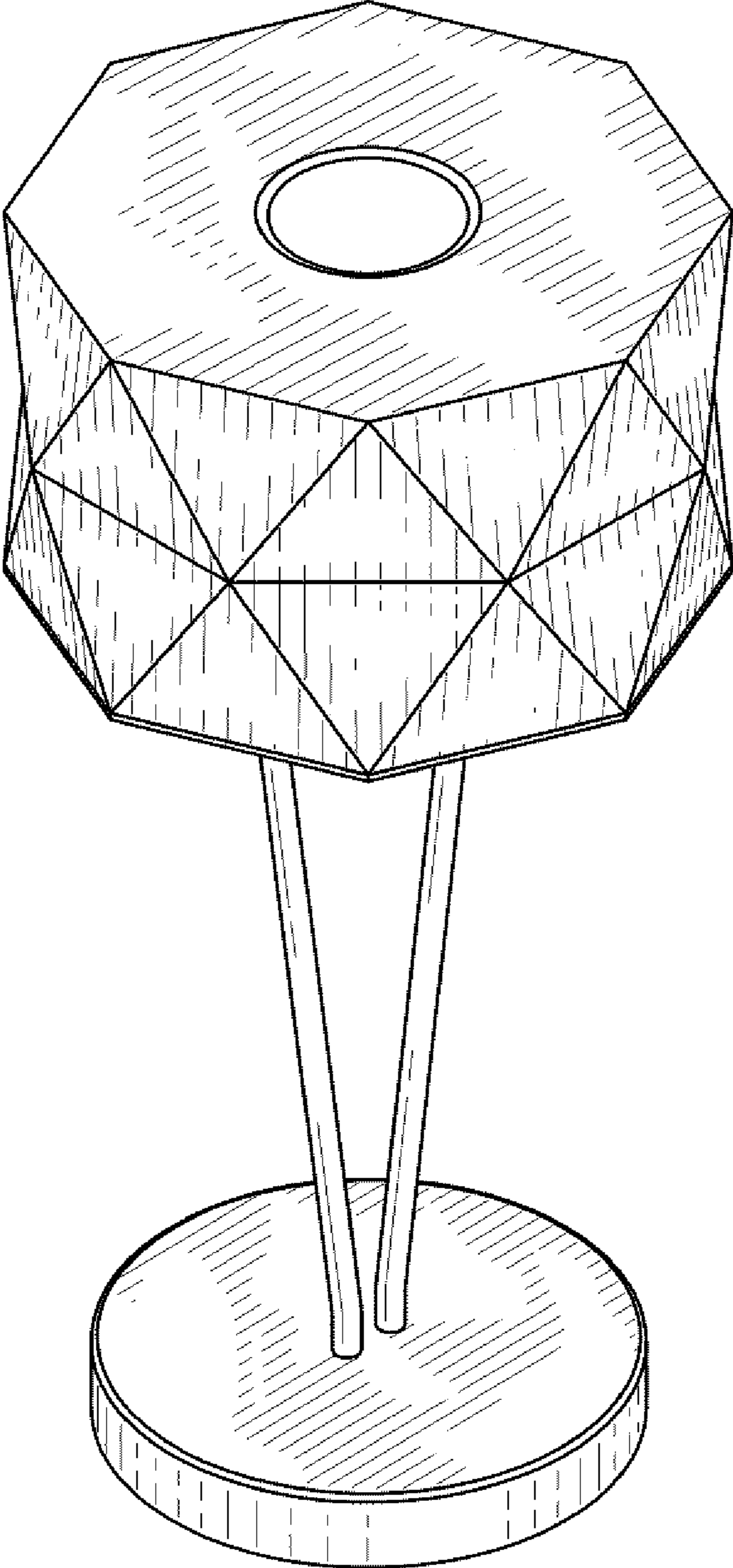
The ornamental design for a luminaire, as shown.

**DESCRIPTION**

FIG. 1 is a perspective view showing my design;  
FIG. 2 is a front elevational view thereof;  
FIG. 3 is a rear elevational view thereof;  
FIG. 4 is a right side elevational view thereof;  
FIG. 5 is a left side elevational view thereof;  
FIG. 6 is a top plan view thereof; and,  
FIG. 7 is a bottom plan view thereof.

**1 Claim, 4 Drawing Sheets**





**FIG. 1**

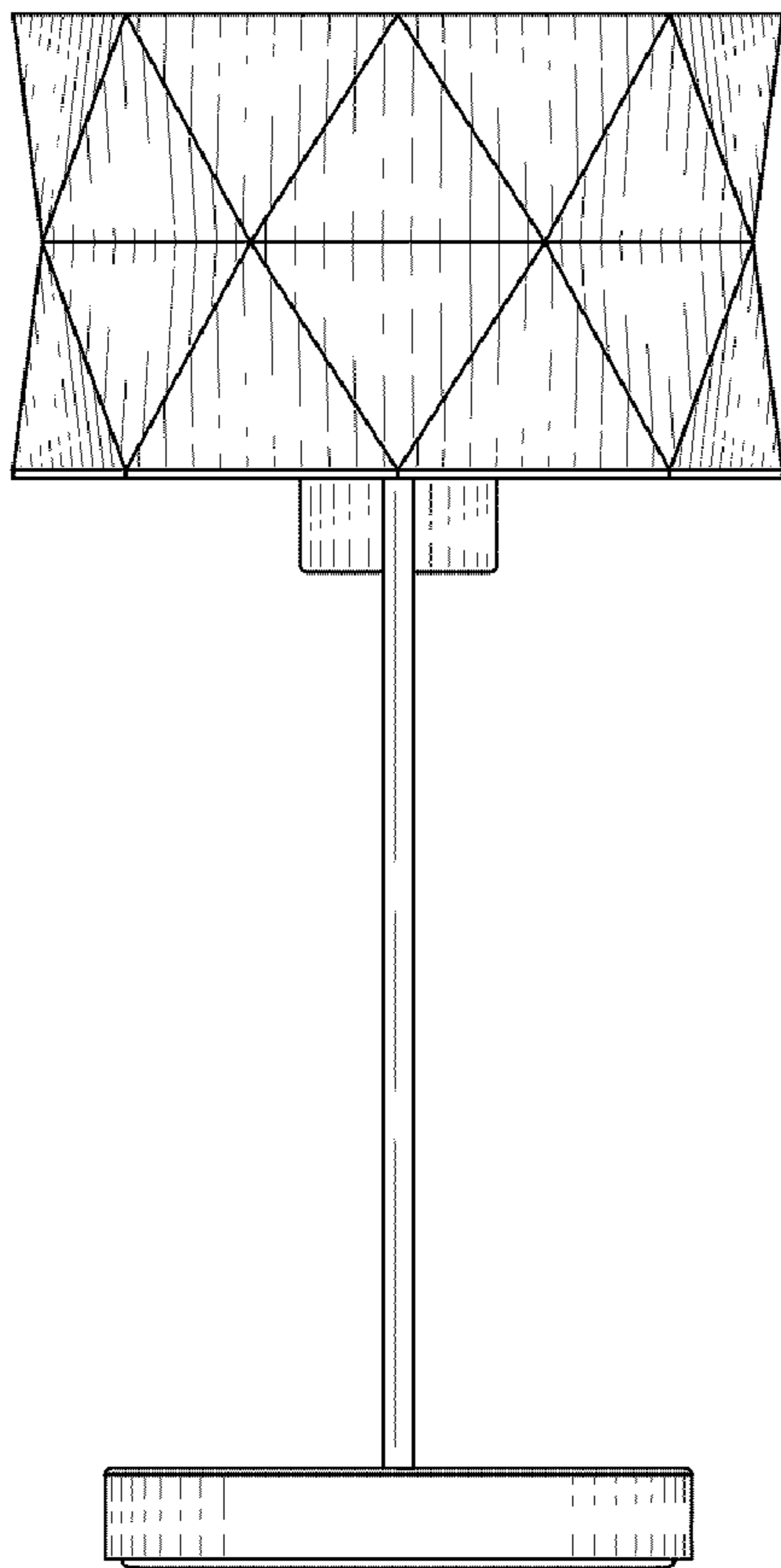


FIG. 2

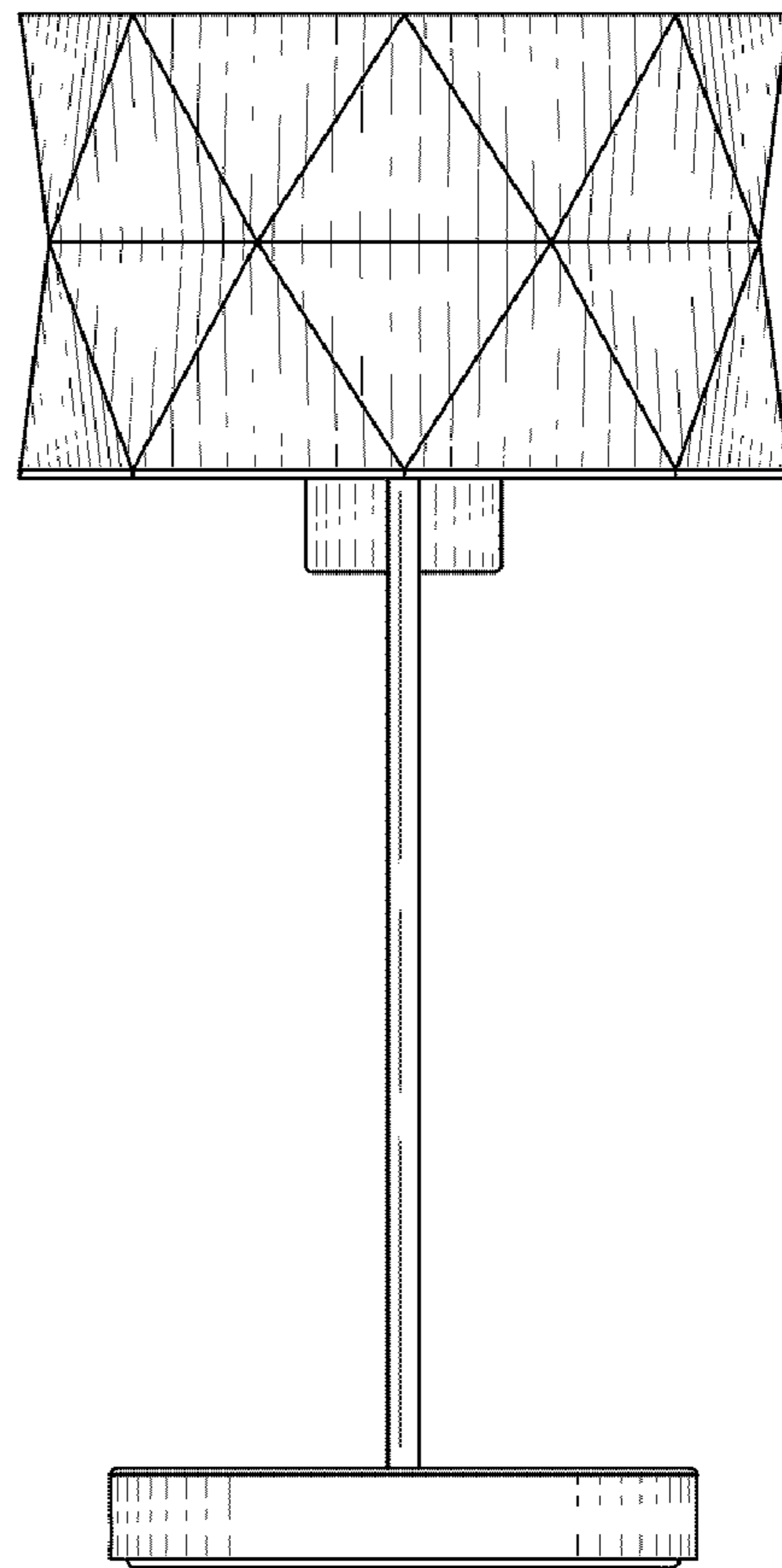


FIG. 3

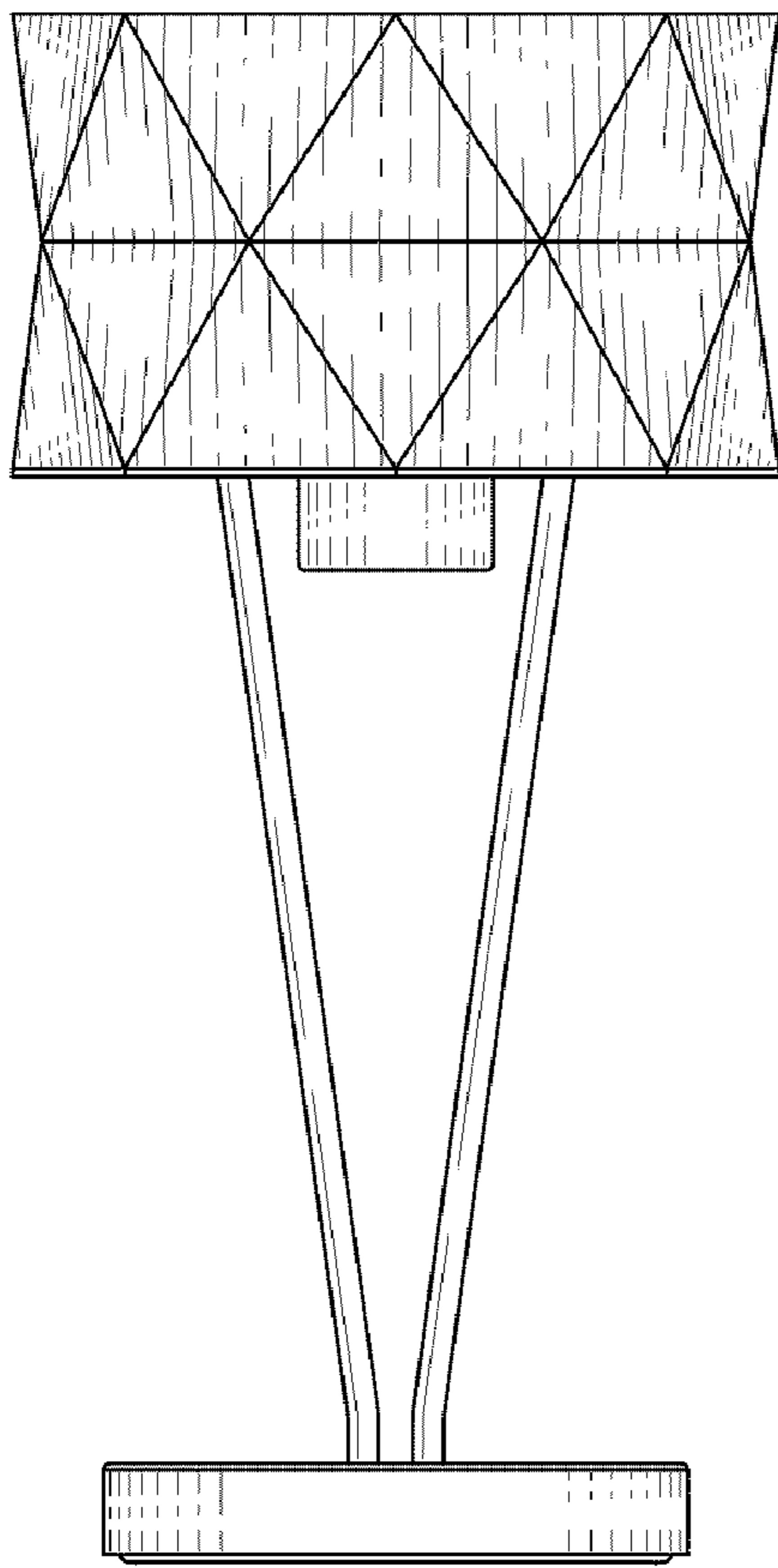


FIG. 4

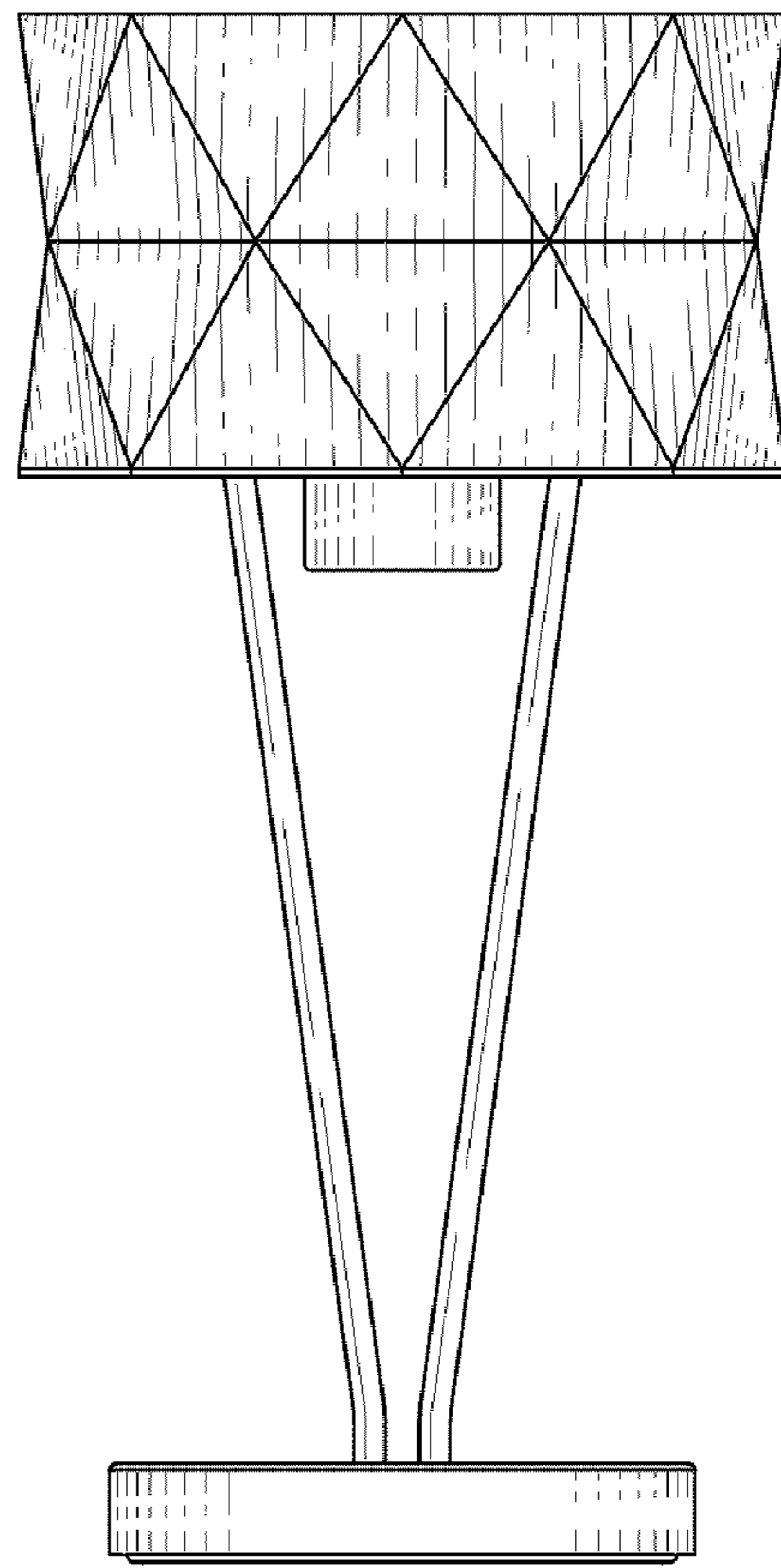


FIG. 5

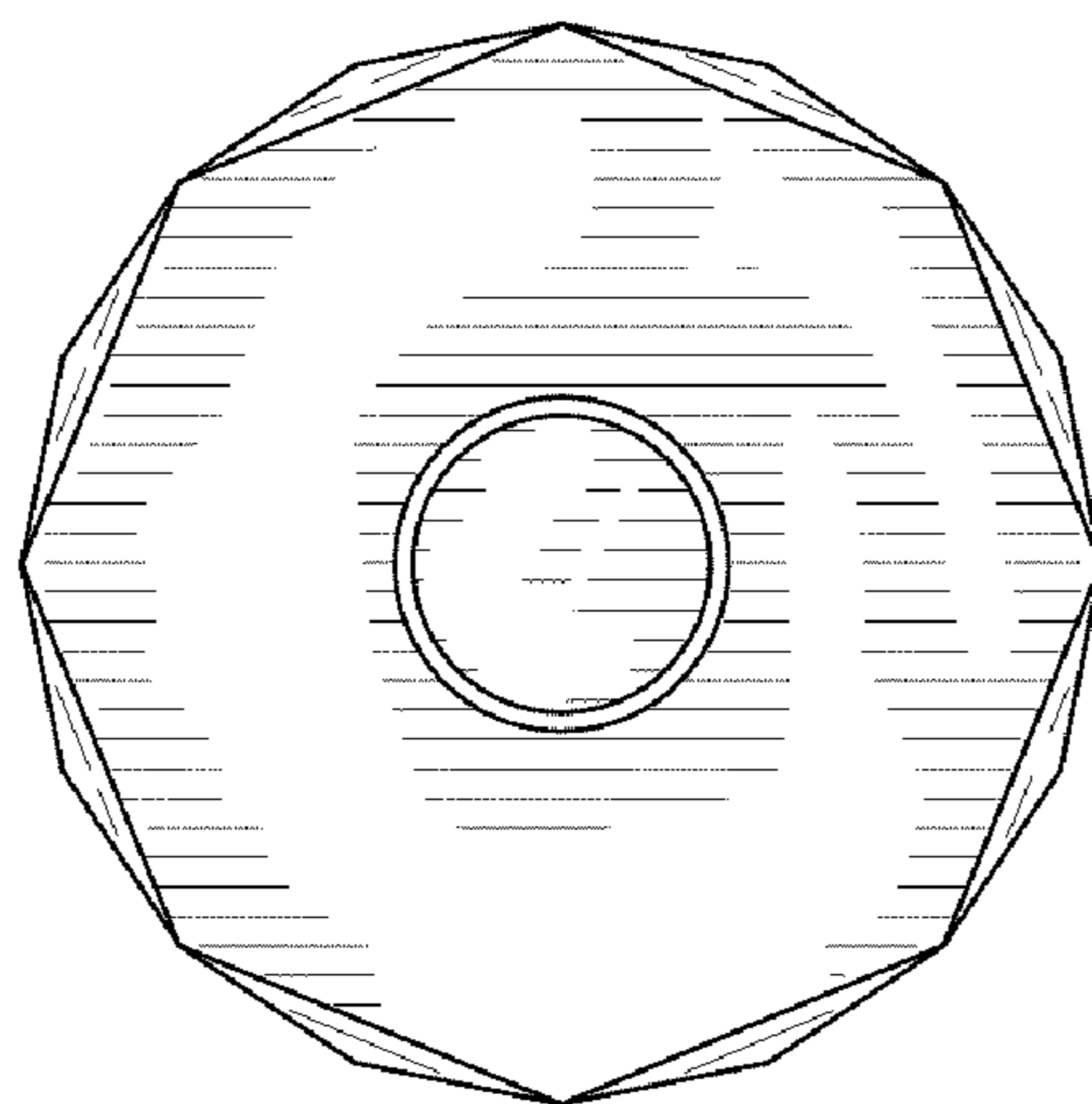


FIG. 6

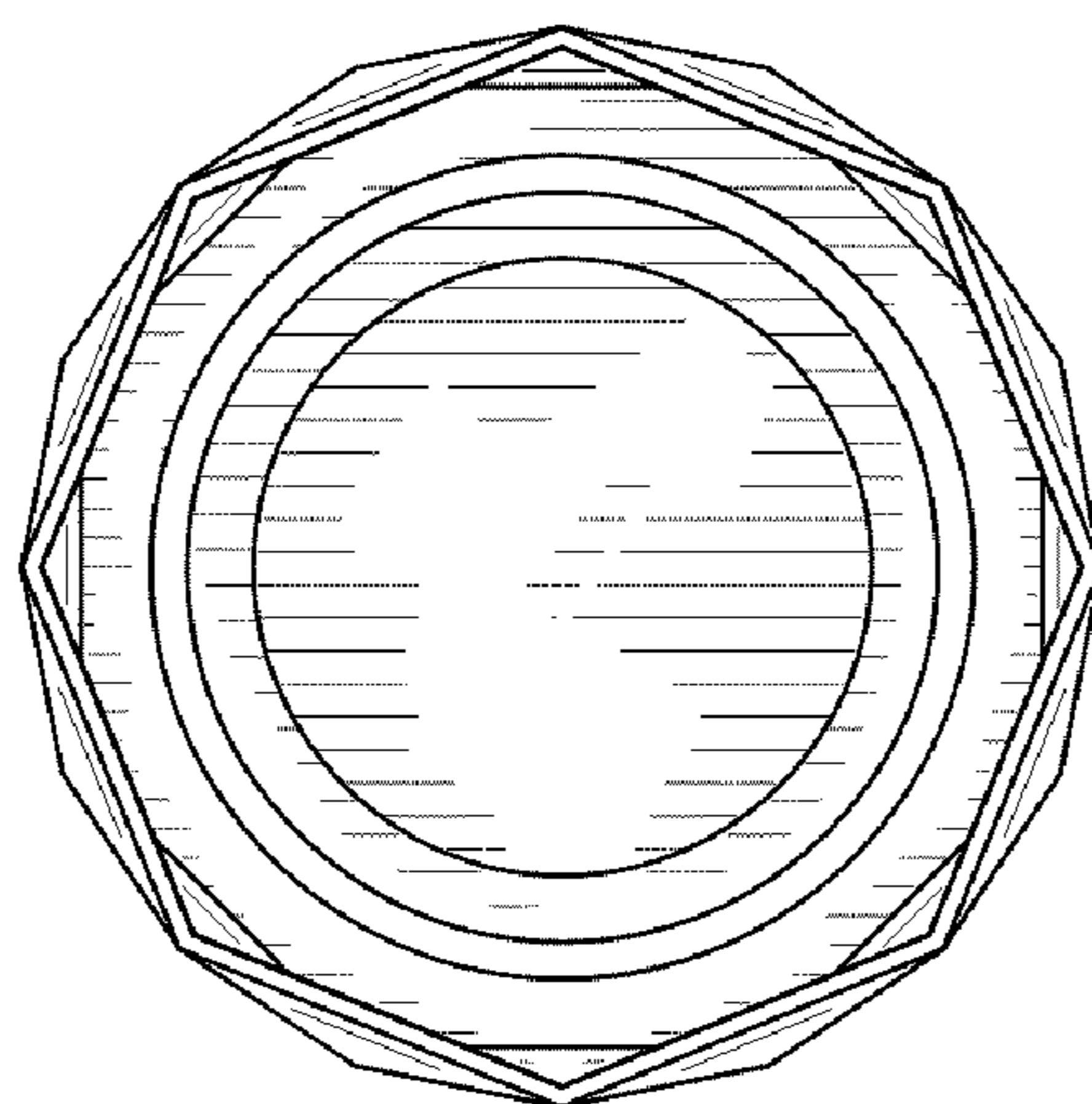


FIG. 7