



US00D646837S

(12) **United States Design Patent**  
**Yu**

(10) **Patent No.:** **US D646,837 S**

(45) **Date of Patent:** **\*\* Oct. 11, 2011**

(54) **FLOOR LAMP**

(75) Inventor: **Scott S. Yu**, Mill Valley, CA (US)

(73) Assignee: **Vode Lighting LLC**, Sonoma, CA (US)

(\*\*) Term: **14 Years**

(21) Appl. No.: **29/368,126**

(22) Filed: **Aug. 18, 2010**

(51) **LOC (9) Cl.** ..... **26-03**

(52) **U.S. Cl.** ..... **D26/93; D26/104**

(58) **Field of Classification Search** ..... D26/1,  
D26/24, 67, 93-94, 104-110; 362/3, 153,  
362/186, 217, 255, 257, 277, 317, 351, 353,  
362/362, 363, 382, 431, 433, 458, 806  
See application file for complete search history.

(56) **References Cited**

**U.S. PATENT DOCUMENTS**

D377,229 S *	1/1997	Shalvi .....	D26/104
D426,667 S *	6/2000	Kaviani .....	D26/110
D485,004 S *	1/2004	Olson .....	D26/104
D495,819 S *	9/2004	Krieger et al. ....	D26/104
D507,374 S *	7/2005	Chen .....	D26/104
D600,396 S *	9/2009	Luinstra .....	D26/104
D625,039 S *	10/2010	Citterio .....	D26/93
D626,280 S *	10/2010	Feigenbaum .....	D26/104

\* cited by examiner

*Primary Examiner* — Brian N Vinson

(74) *Attorney, Agent, or Firm* — Antero & Tormey LLP;  
Peter Tormey; Richard Moerschell

(57) **CLAIM**

The ornamental design of a floor lamp, as shown and described.

**DESCRIPTION**

FIG. 1 is a perspective view of a floor lamp of the present invention;

FIG. 2 is a right side view thereof;

FIG. 3 is a left side view thereof;

FIG. 4 is a front view thereof;

FIG. 5 is a back view thereof;

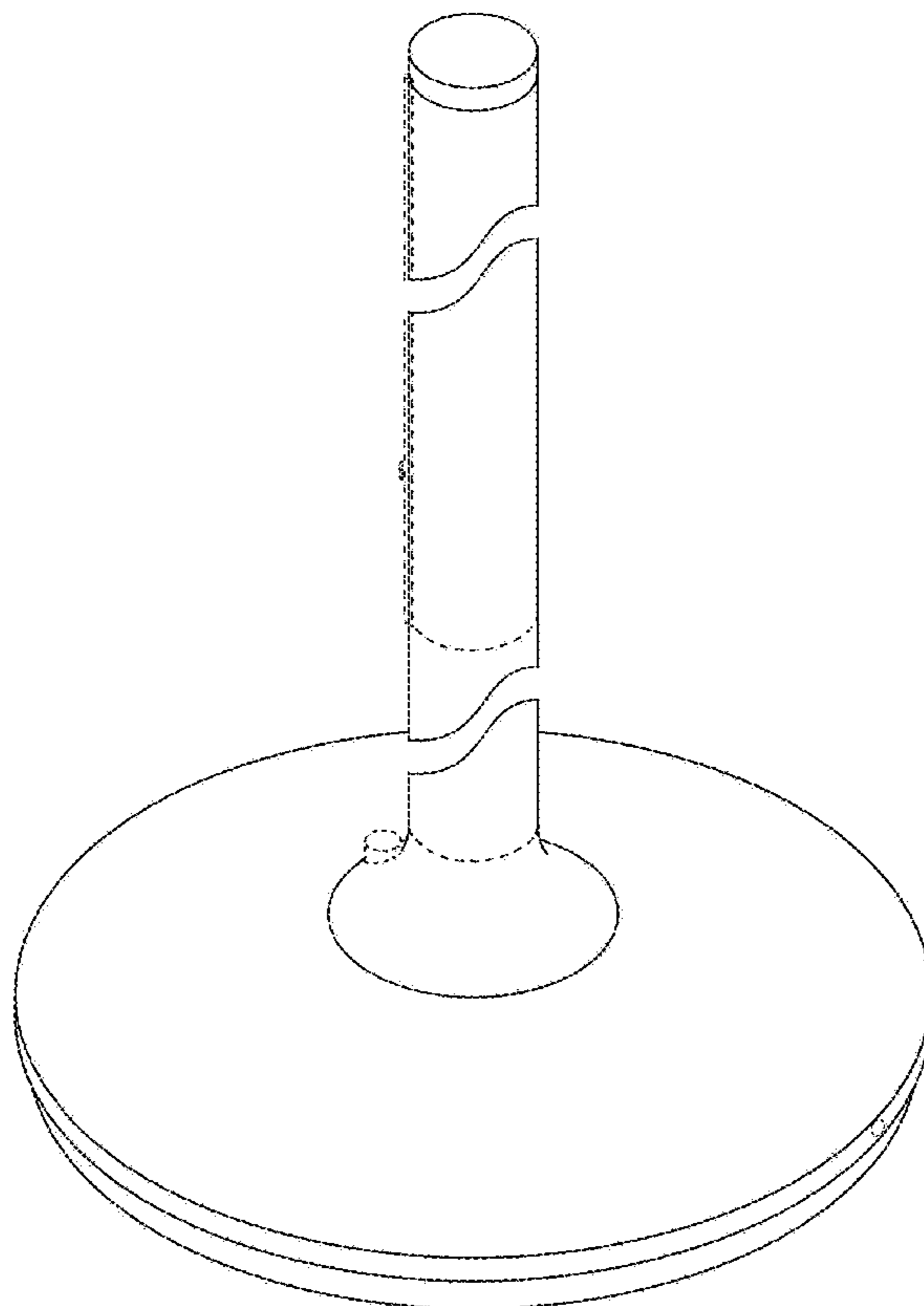
FIG. 6 is a top view thereof;

FIG. 7 is a bottom view thereof; and,

FIG. 8 is a right side view thereof with the lamp post portion in a rotated position.

The broken-line disclosure is understood to represent portions of the article in which the claimed design is embodied, but which form no part of the claimed design. The stipple shading is understood to represent transparency or translucency.

**1 Claim, 8 Drawing Sheets**



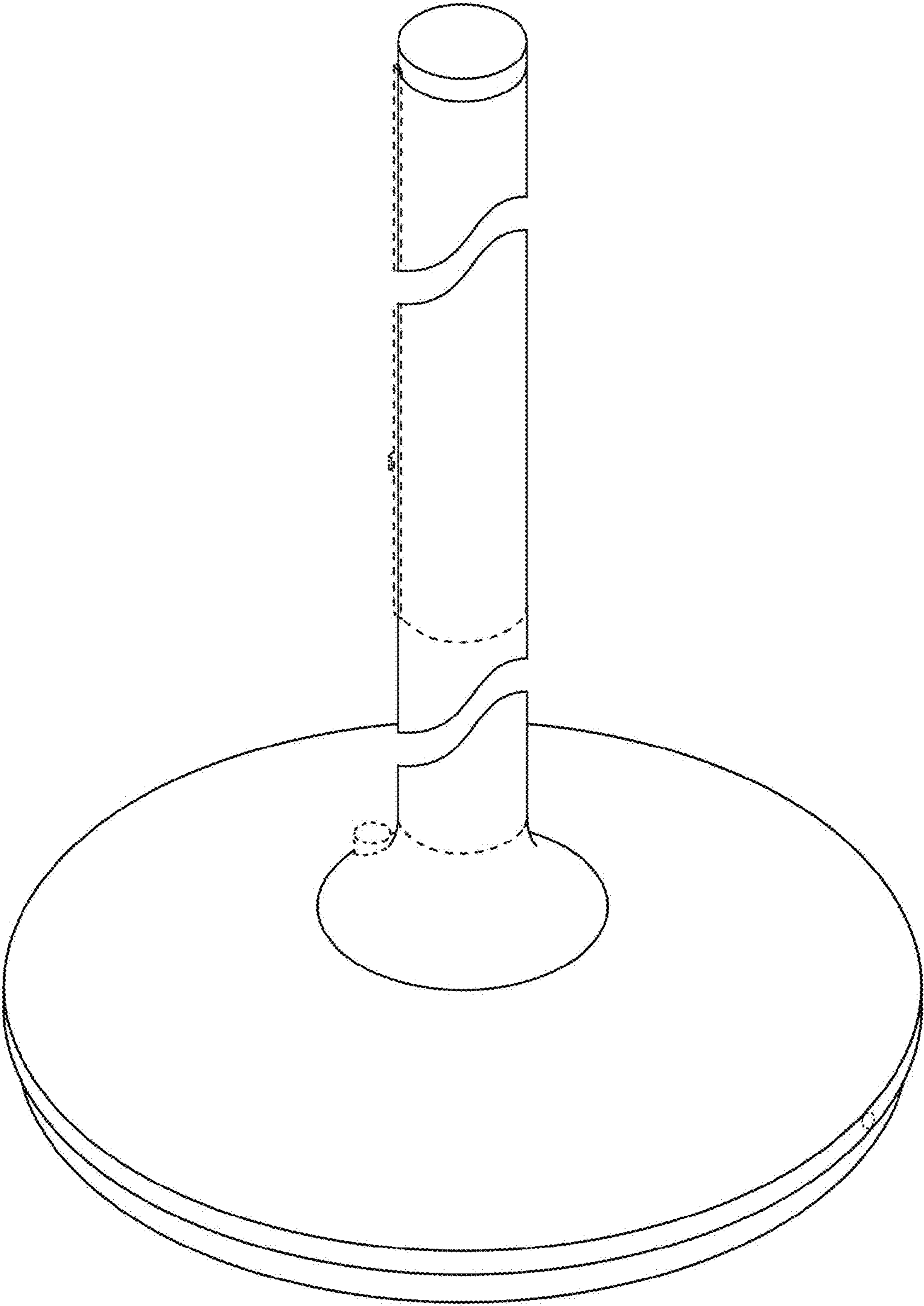


Figure 1

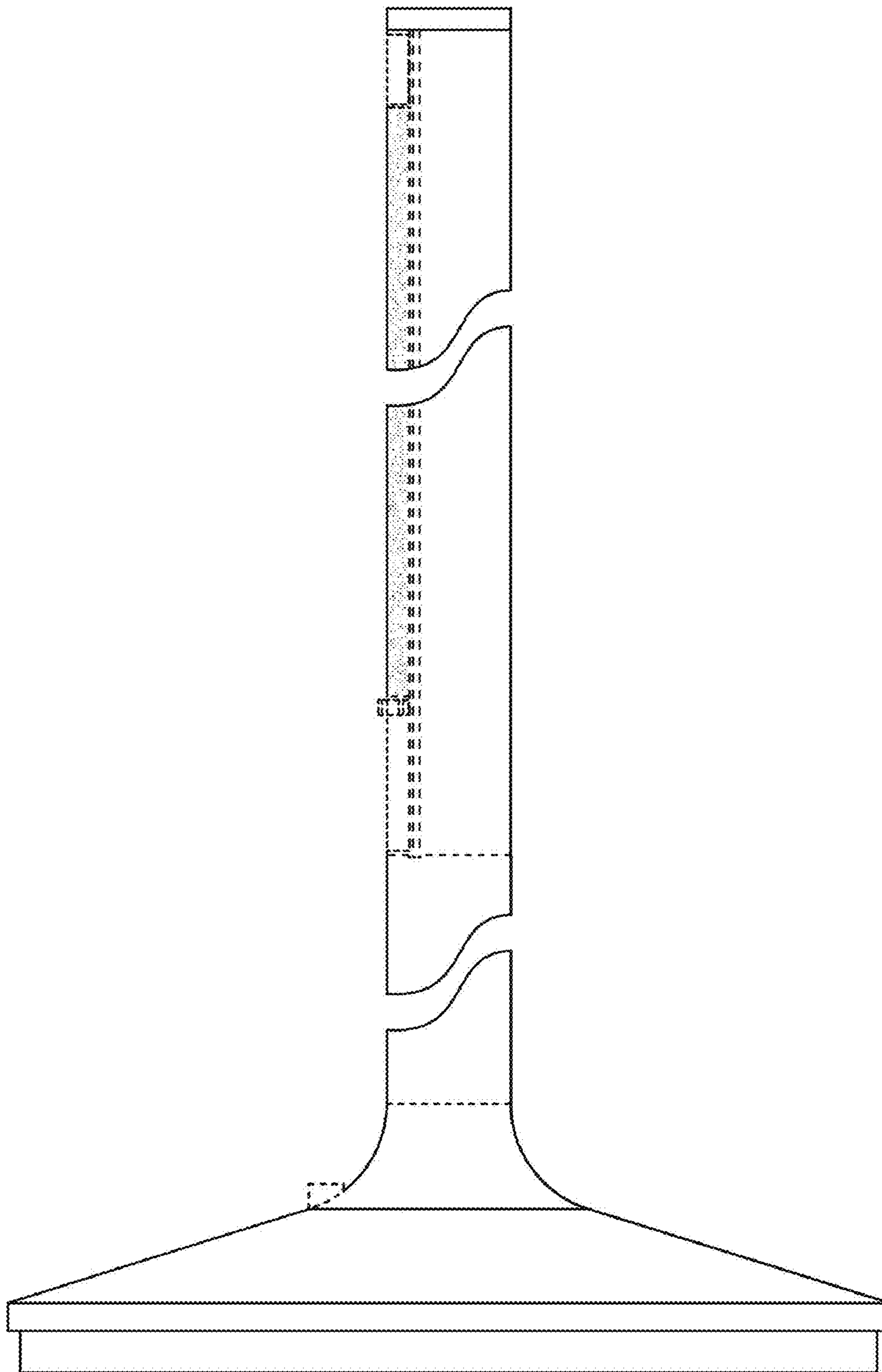


Figure 2

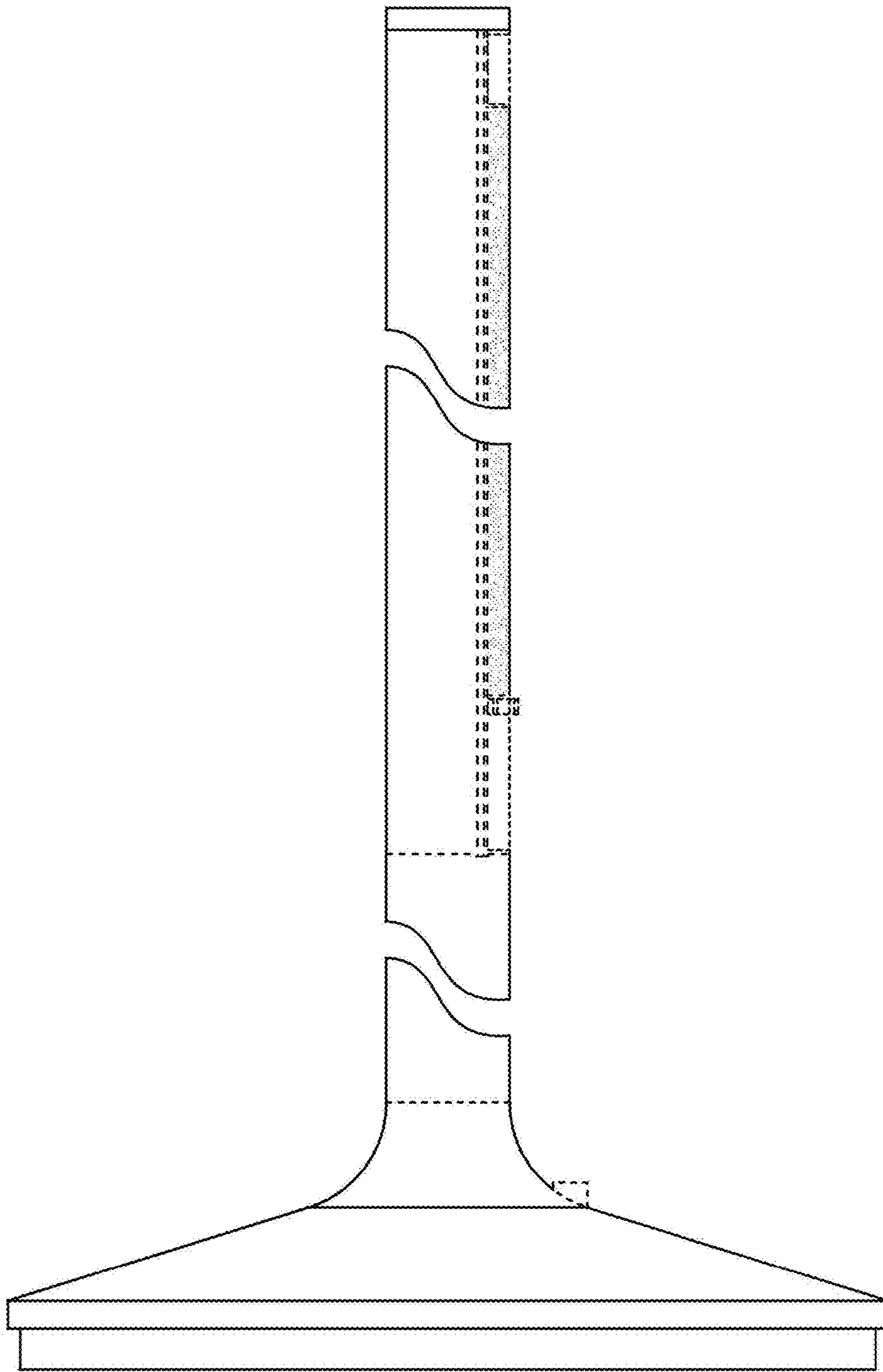


Figure 3

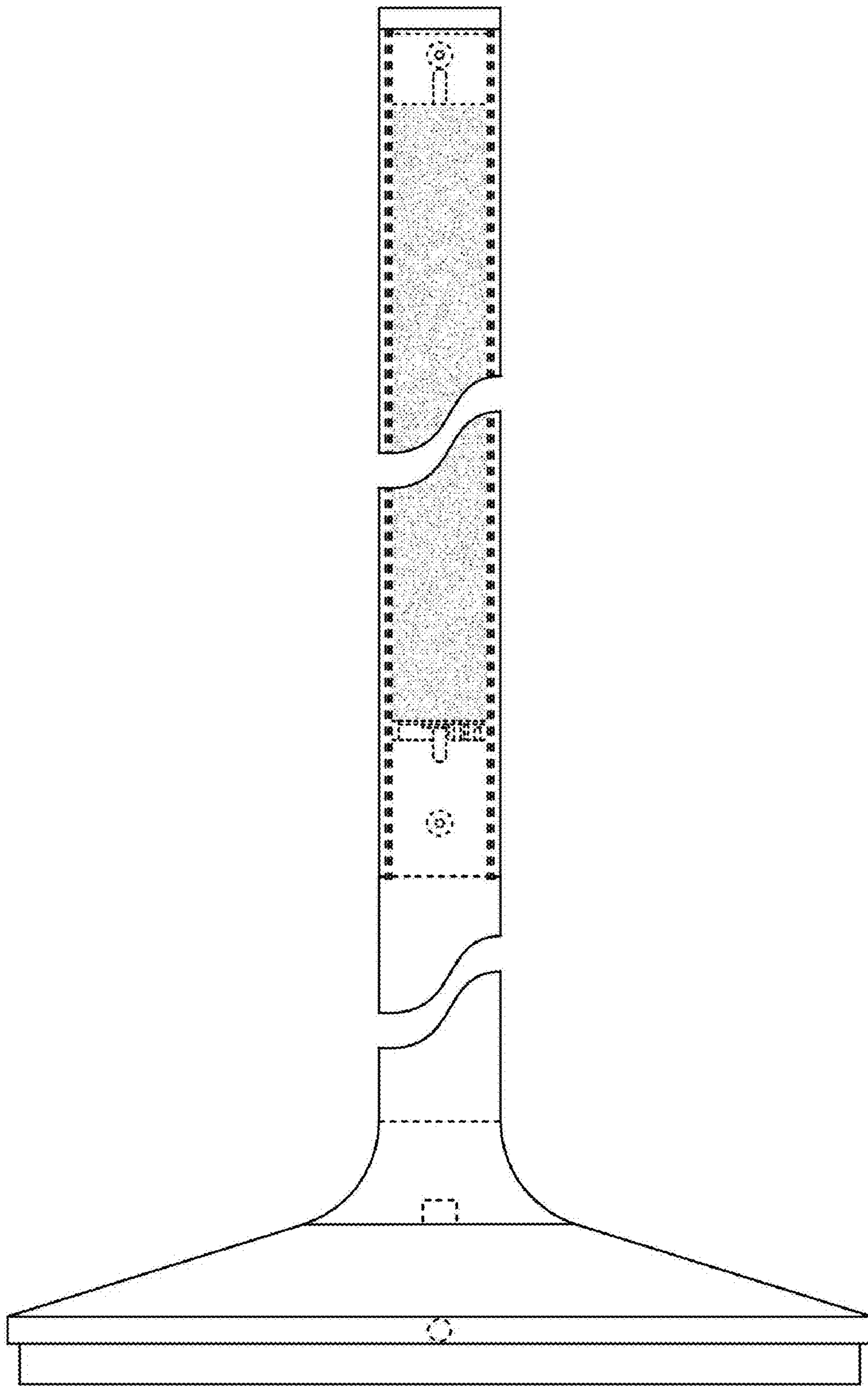


Figure 4

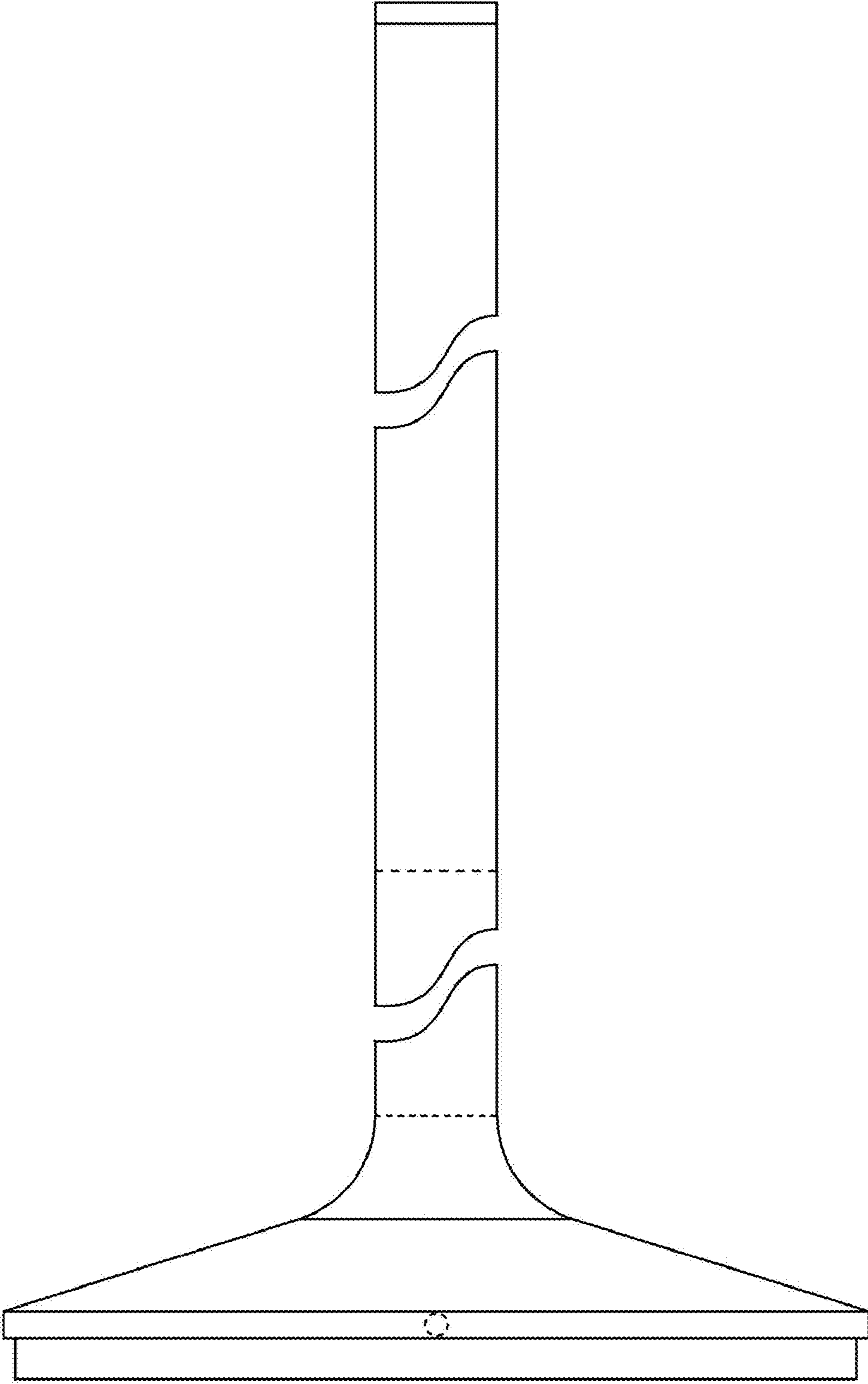


Figure 5

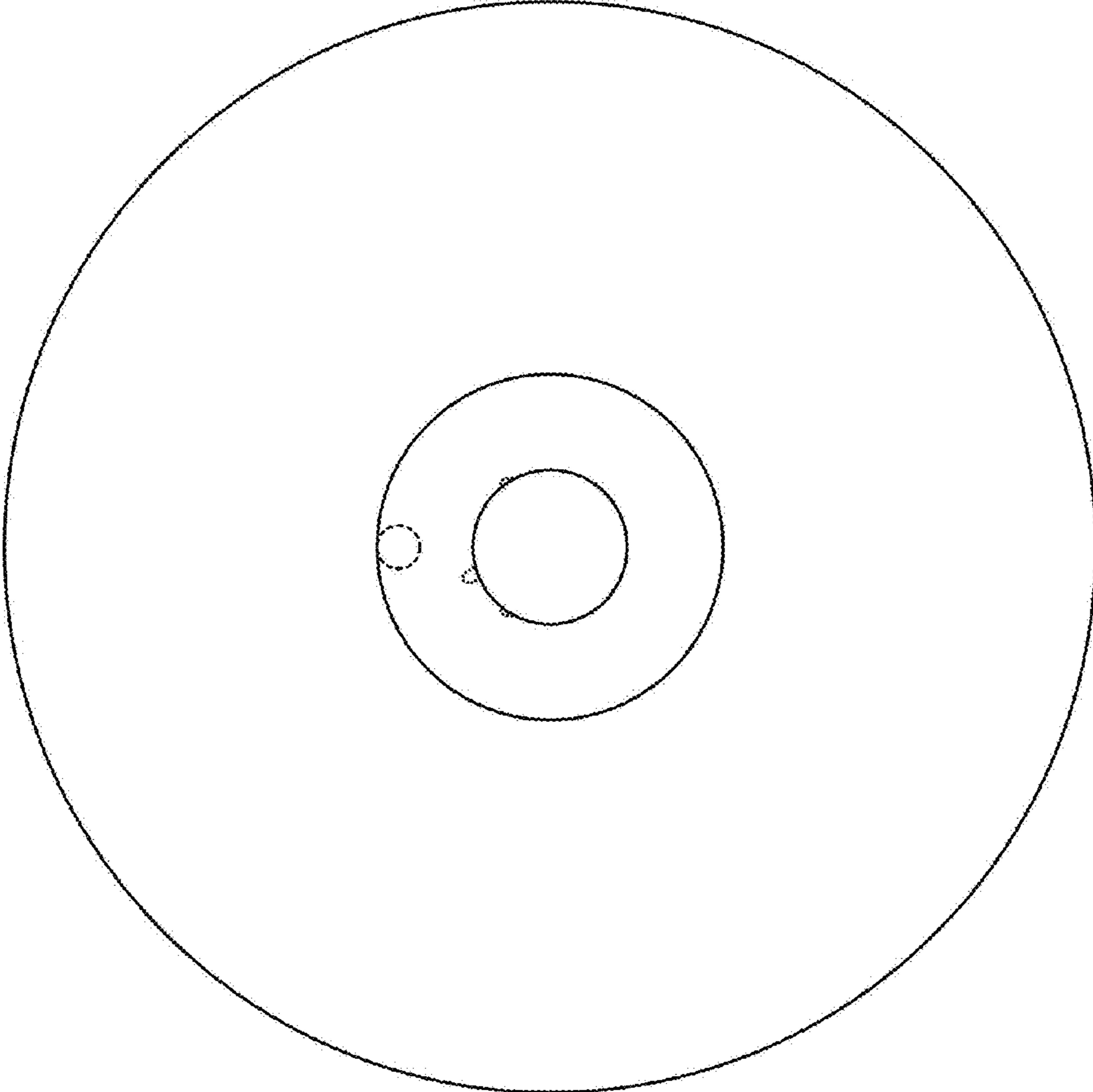


Figure 6

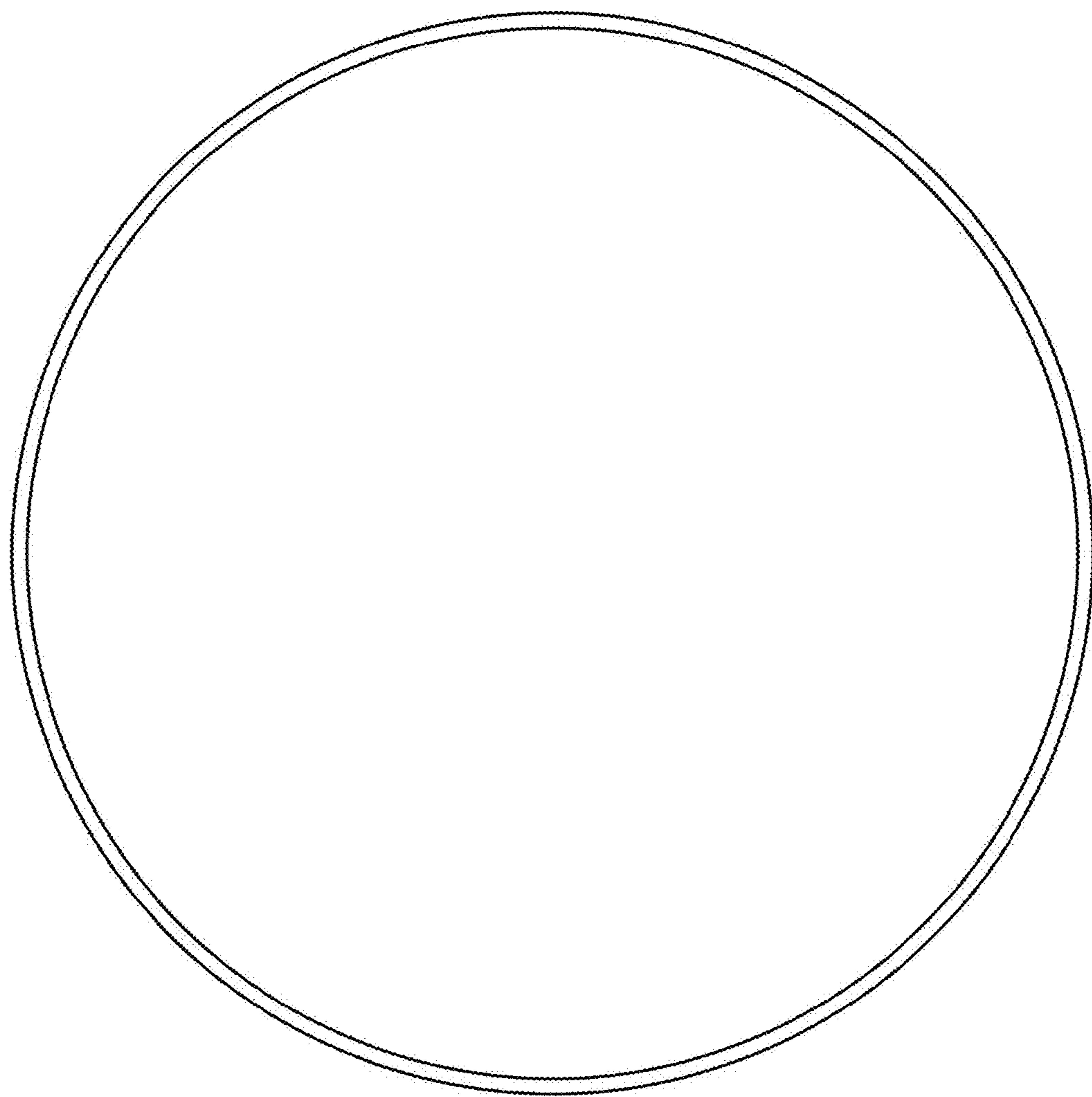


Figure 7



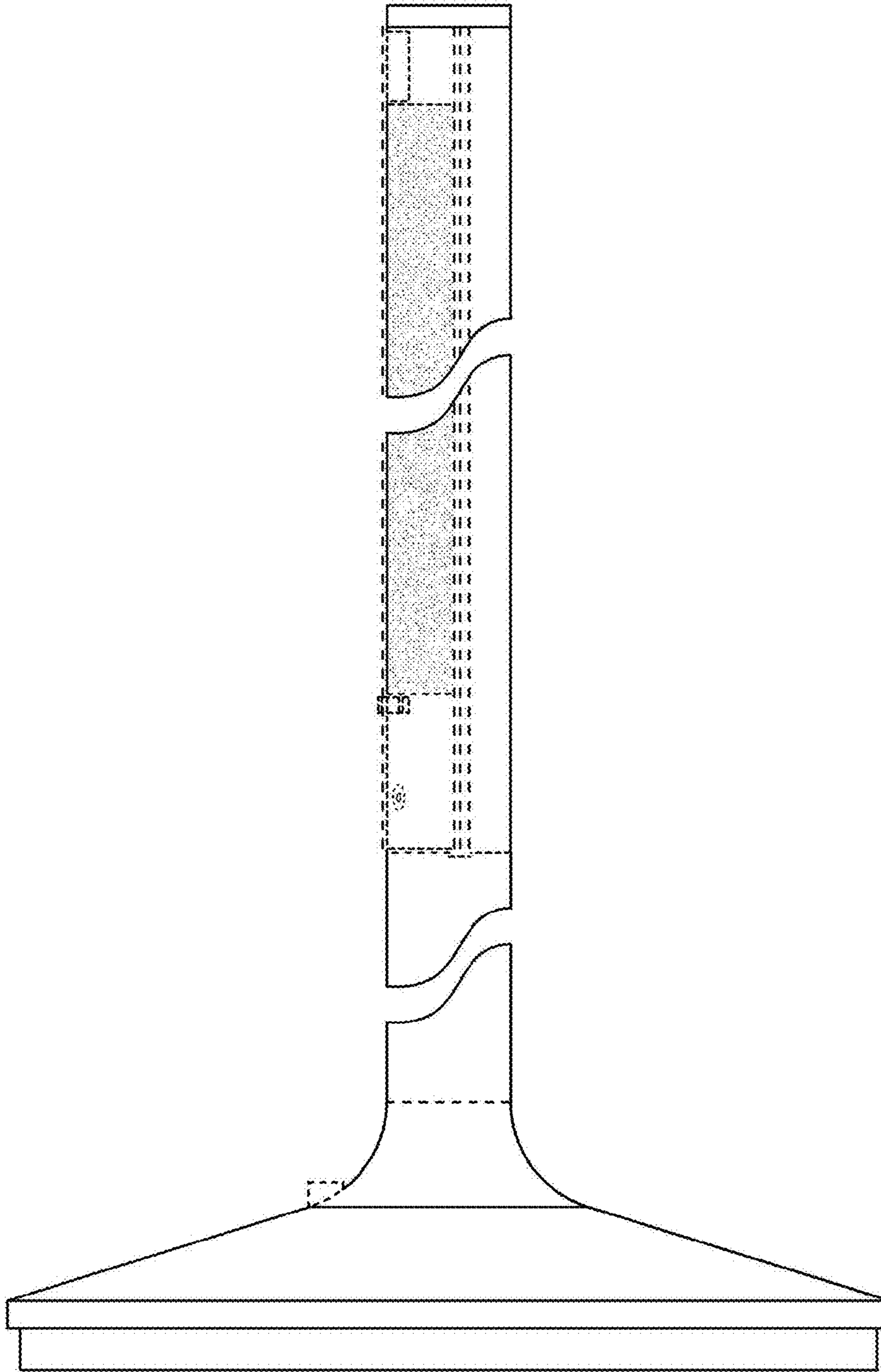


Figure 8