



US00D646836S

(12) **United States Design Patent**
Wauters

(10) **Patent No.:** **US D646,836 S**
(45) **Date of Patent:** **** Oct. 11, 2011**

(54) **LUMINAIRE**

(75) Inventor: **Tom Wauters**, Mortsel (BE)

(73) Assignee: **Koninklijke Philips Electronics N.V.**,
Eindhoven (NL)

(**) Term: **14 Years**

(21) Appl. No.: **29/363,299**

(22) Filed: **Jun. 8, 2010**

(30) **Foreign Application Priority Data**

Dec. 8, 2009 (EM) 001644790-0006

(51) **LOC (9) Cl.** **26-03**

(52) **U.S. Cl.** **D26/93**

(58) **Field of Classification Search** D26/1,
D26/24, 93-94, 101, 104-110, 113, 118;
362/3, 153, 186, 217, 255, 257, 277, 317,
362/351, 353, 362, 363, 382, 431, 433, 458,
362/806

See application file for complete search history.

(56) **References Cited**

U.S. PATENT DOCUMENTS

D474,853 S *	5/2003	Wu	D26/94
D480,497 S *	10/2003	Lau Ting Yup	D26/104
D496,126 S *	9/2004	Huang	D26/104
D500,162 S *	12/2004	Huang	D26/111
D539,465 S *	3/2007	Rokke et al.	D26/106
D625,879 S *	10/2010	Sabernig	D26/93

* cited by examiner

Primary Examiner — Brian N Vinson

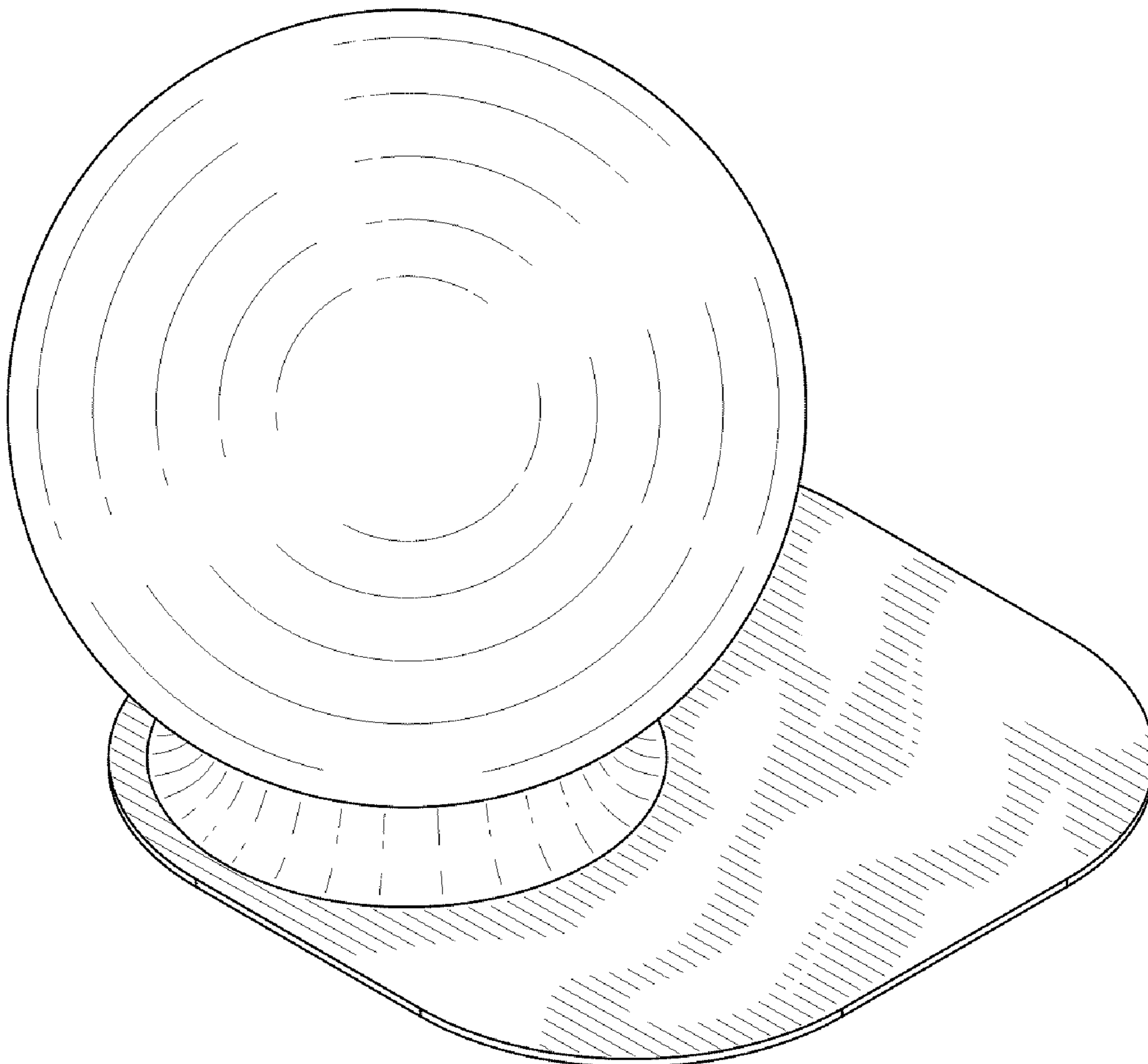
(57) **CLAIM**

The ornamental design for a luminaire, as shown.

DESCRIPTION

FIG. 1 is a perspective view showing my design;
FIG. 2 is a front elevational view thereof;
FIG. 3 is a rear elevational view thereof;
FIG. 4 is a right side elevational view thereof;
FIG. 5 is a left side elevational view thereof;
FIG. 6 is a top plan view thereof; and,
FIG. 7 is a bottom plan view thereof.

1 Claim, 5 Drawing Sheets



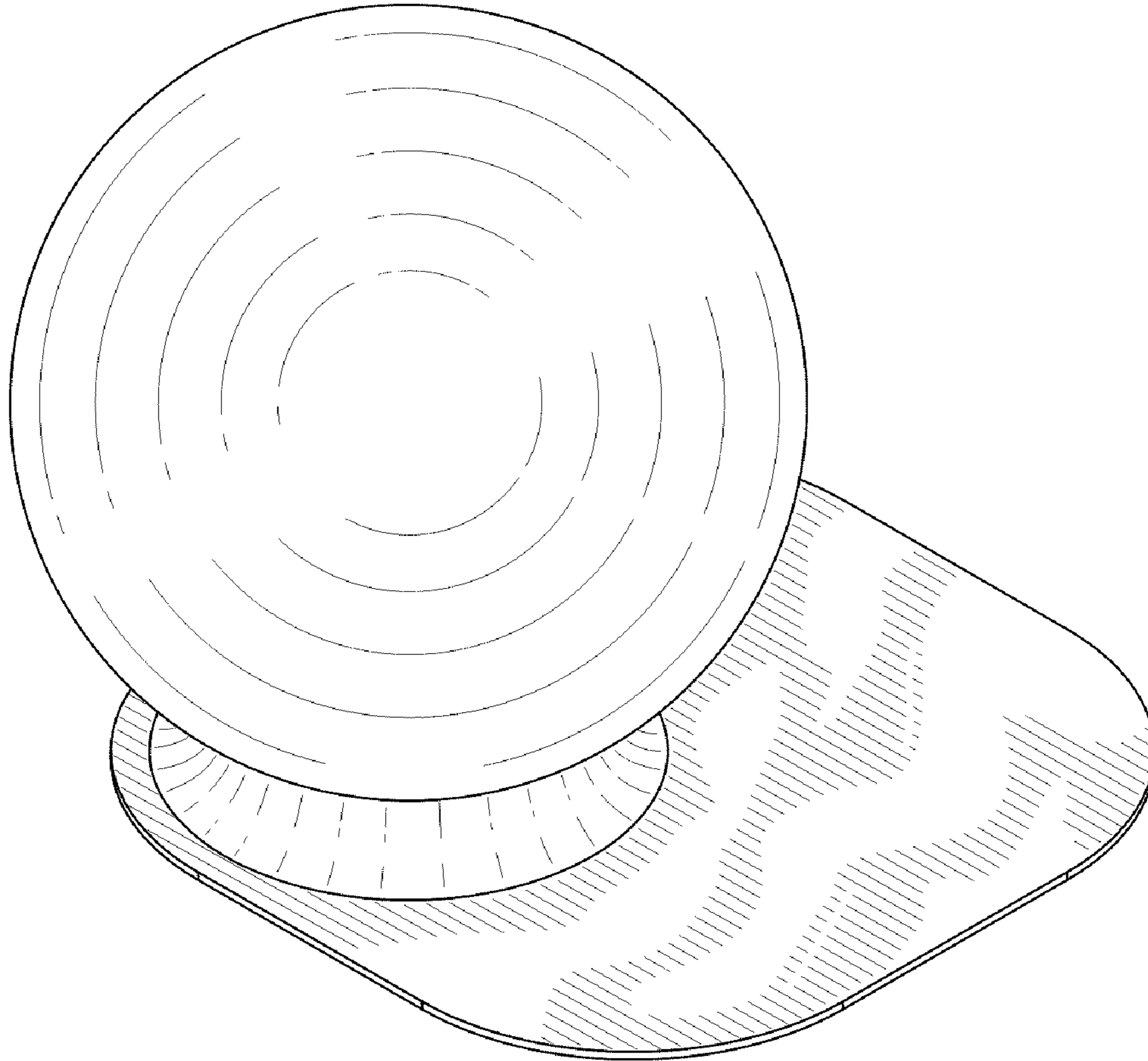


FIG.1

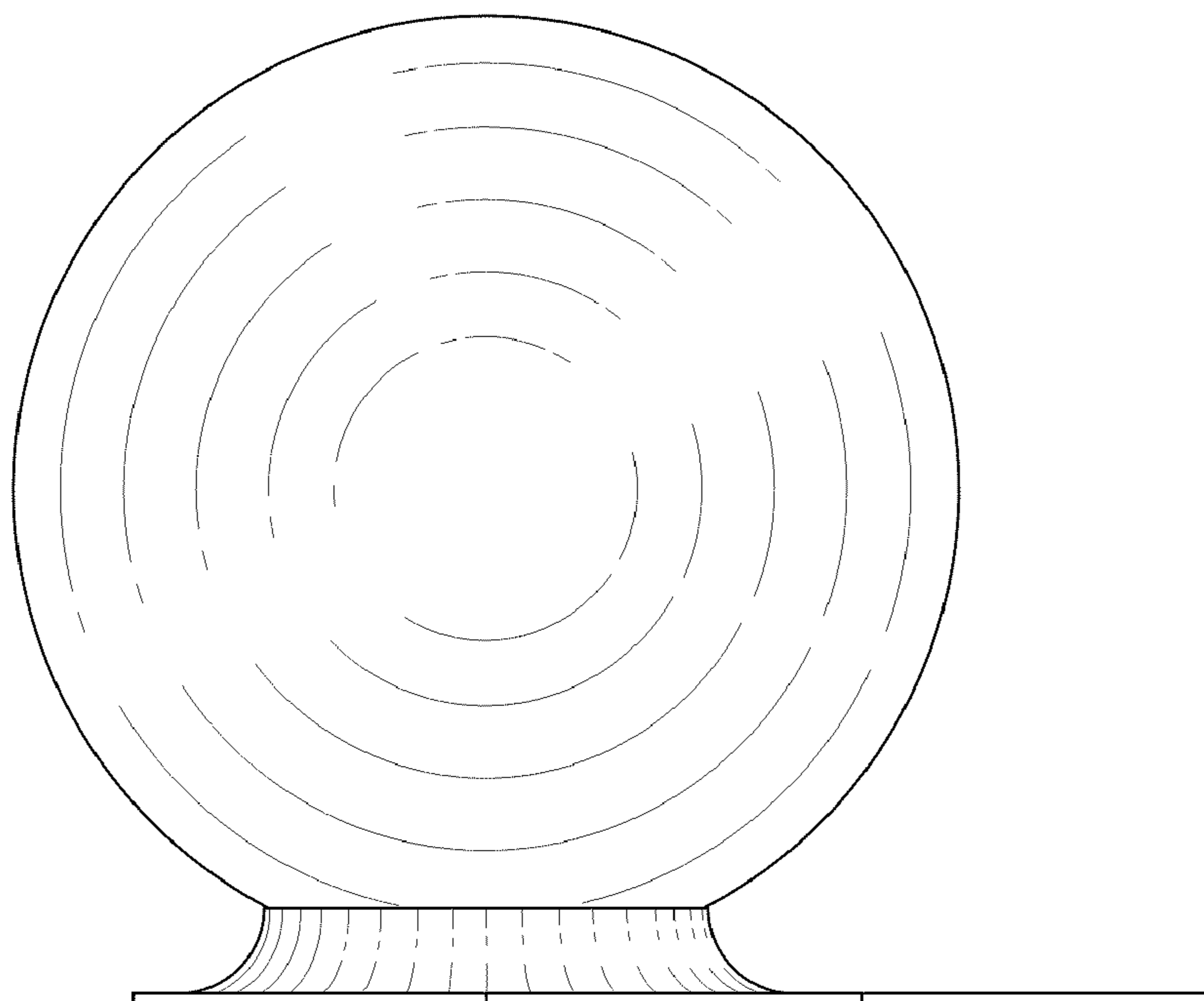


FIG. 2

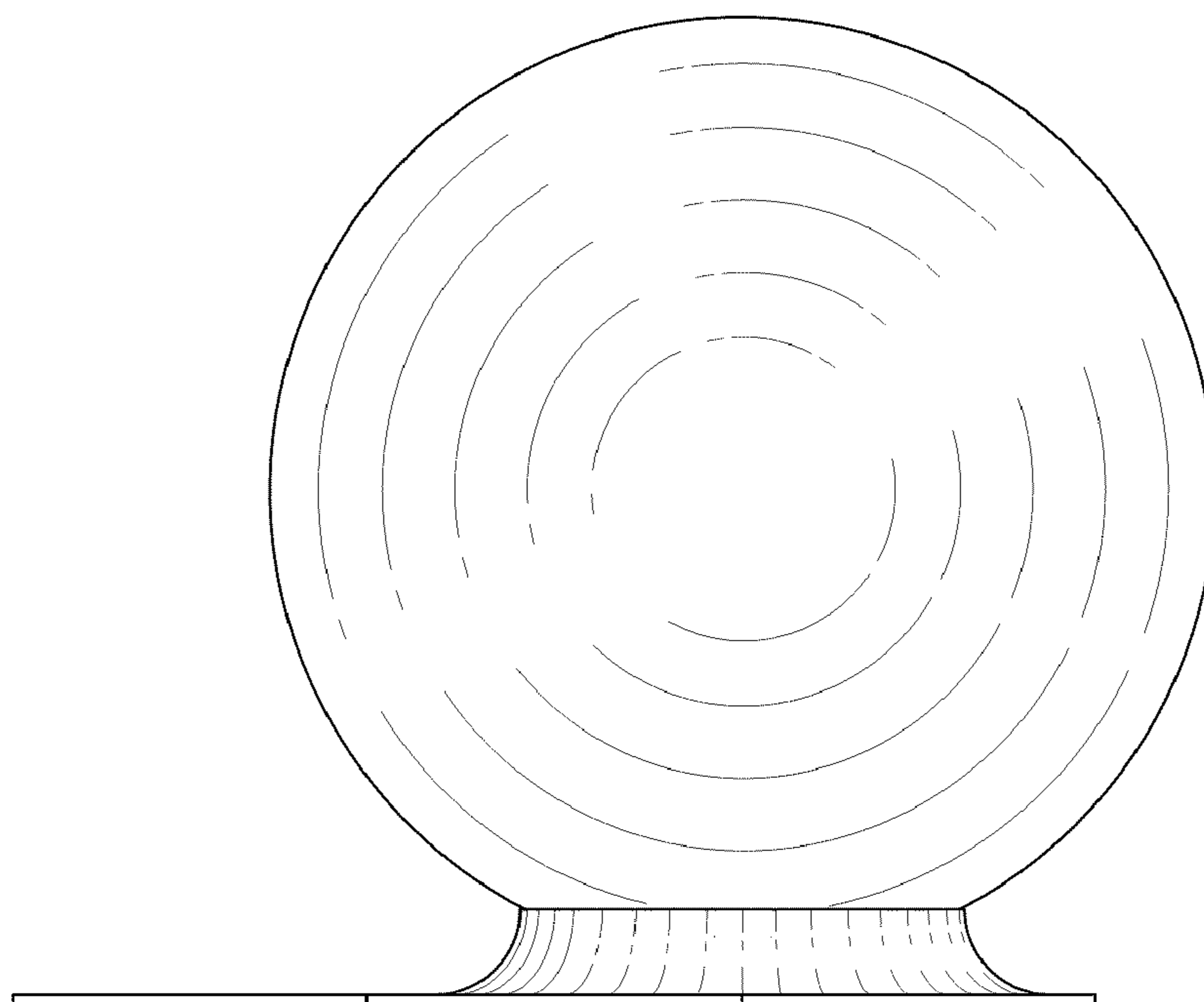


FIG. 3

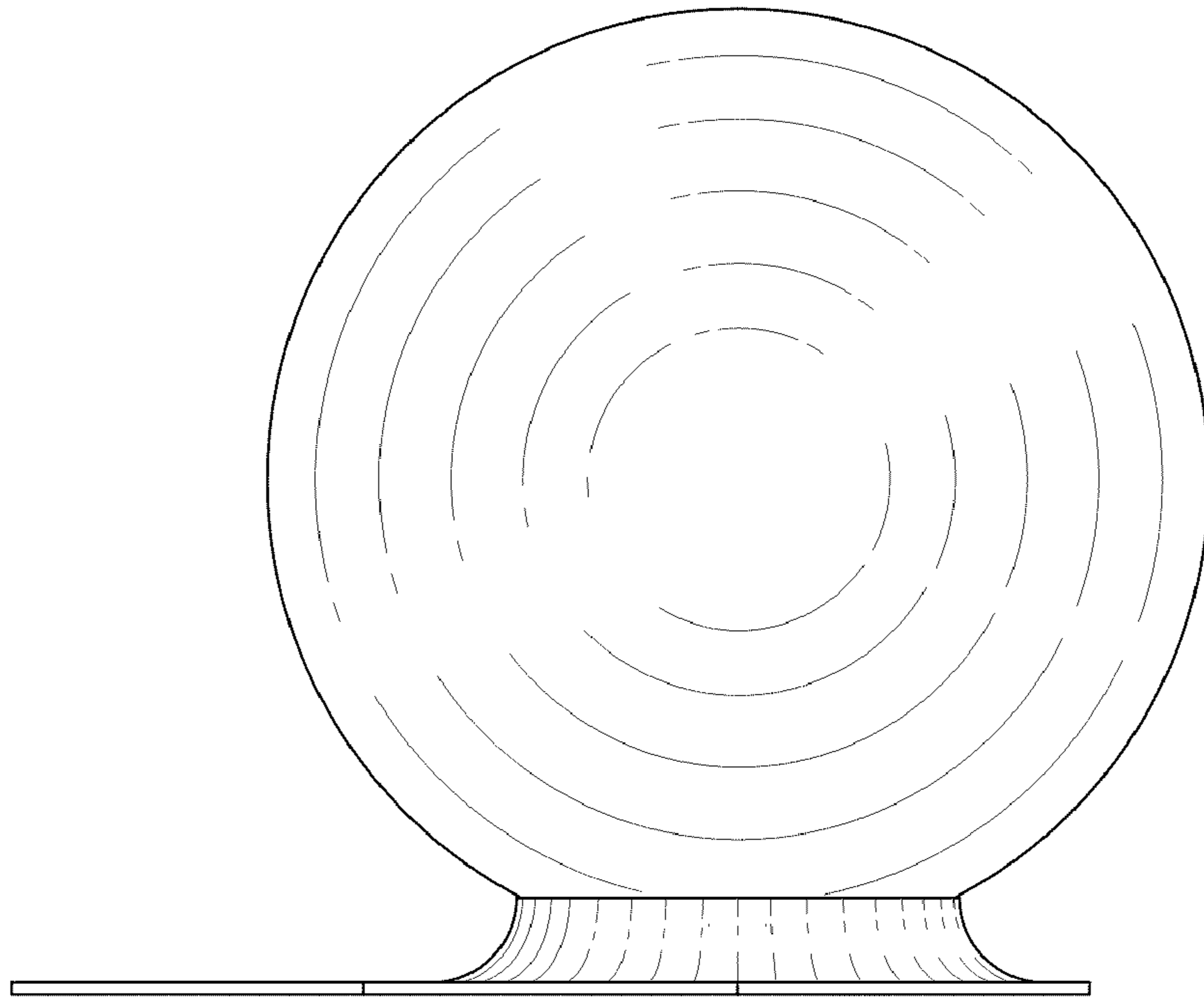


FIG. 4

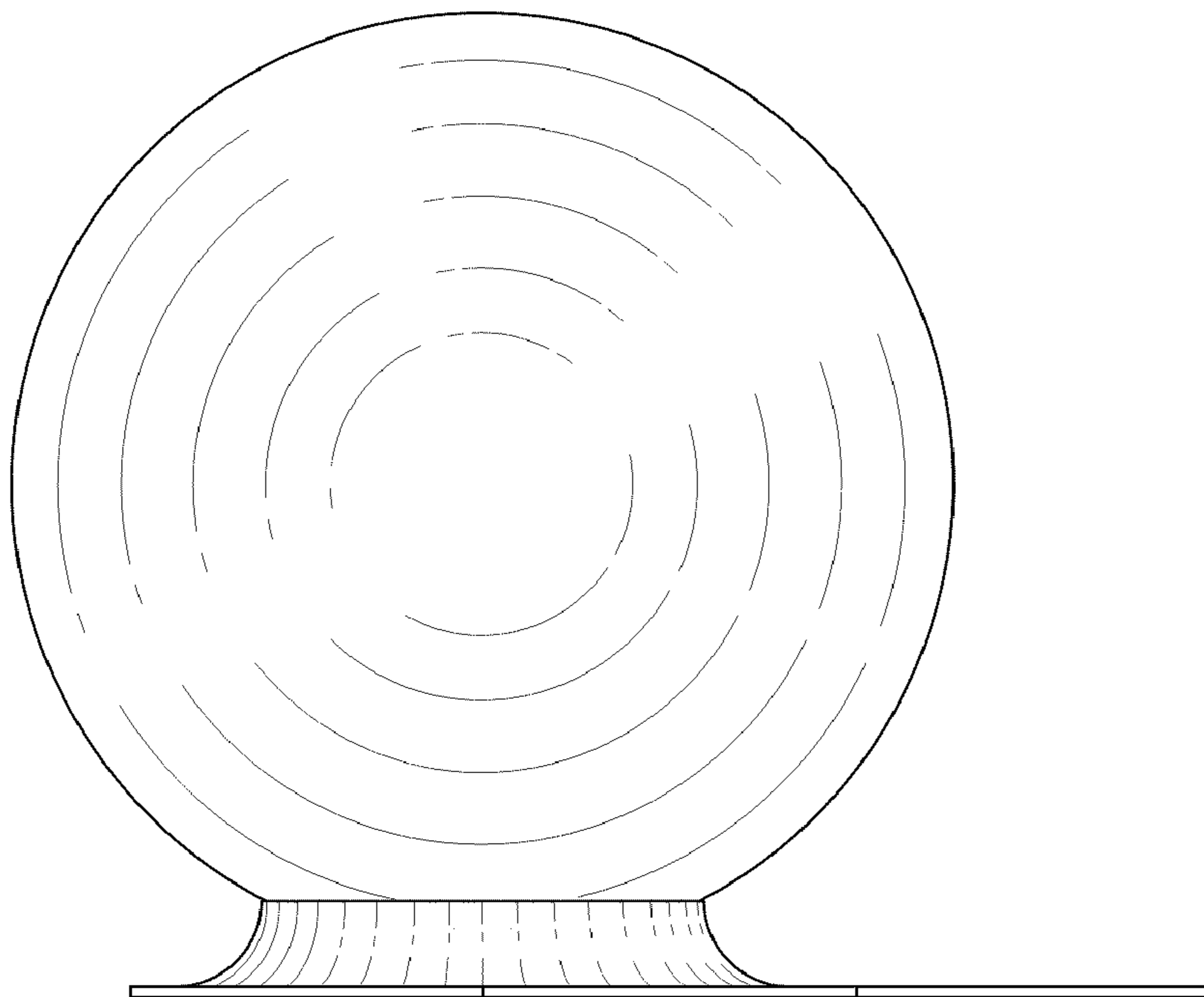


FIG. 5

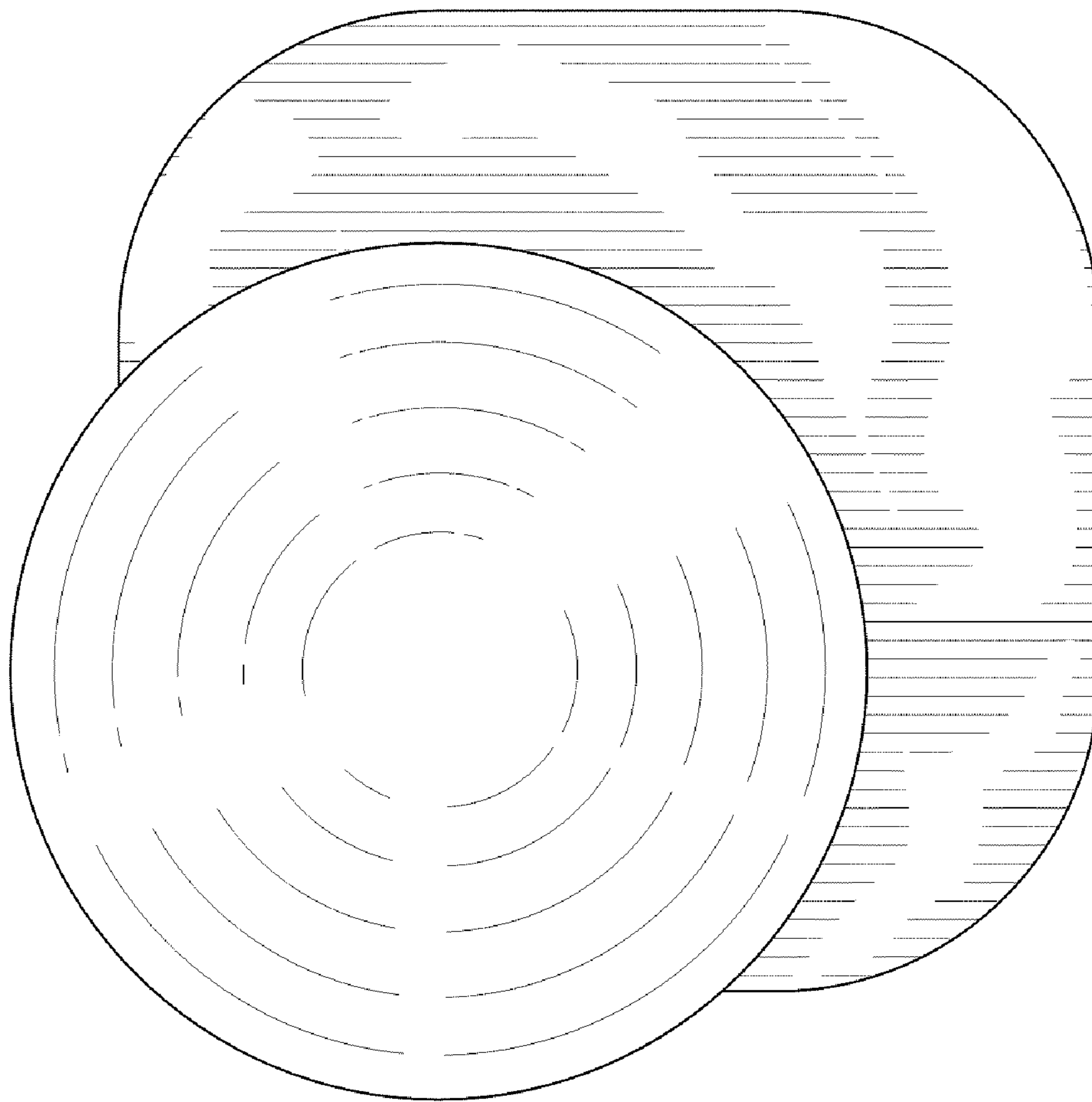


FIG. 6

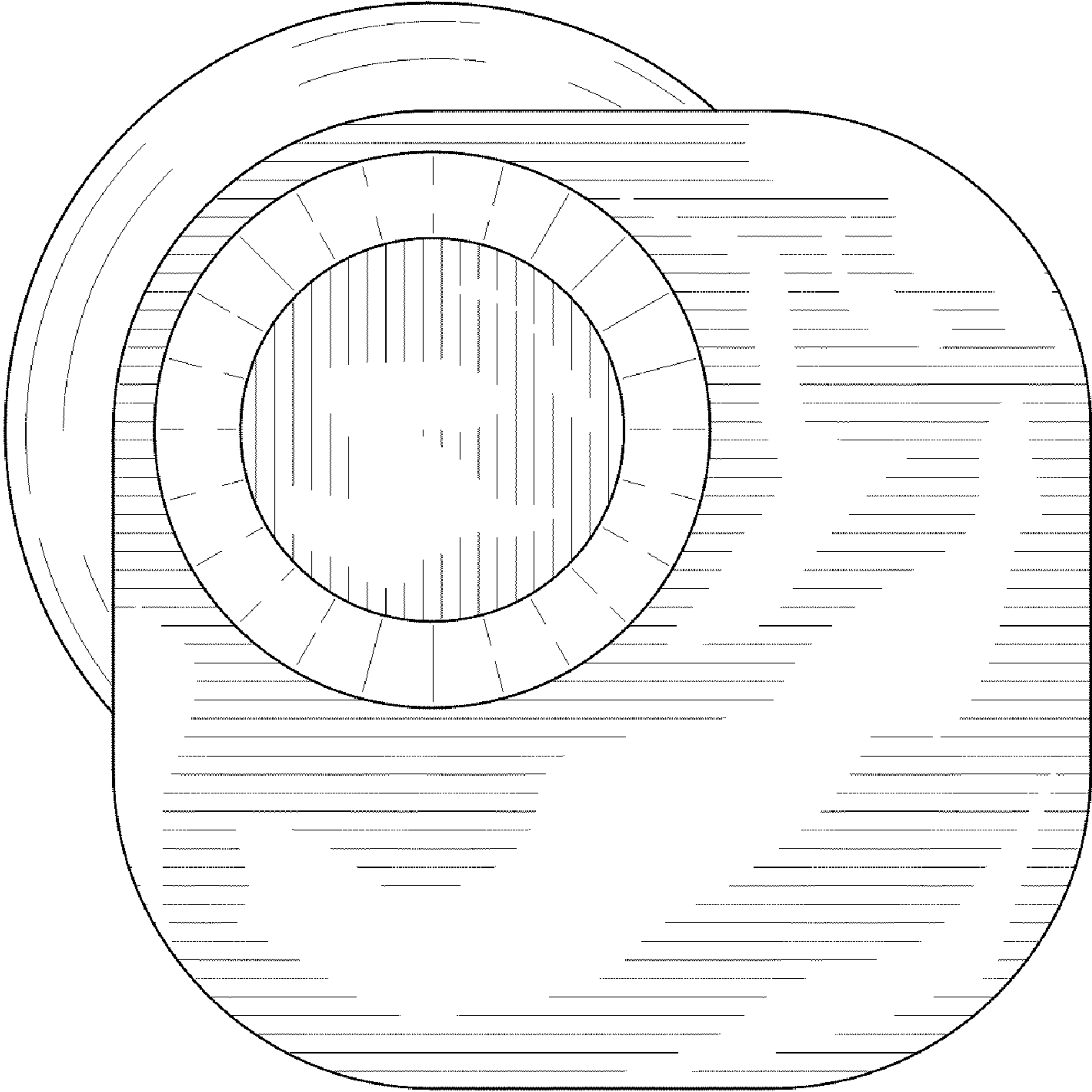


FIG.7