



US00D646834S

(12) **United States Design Patent**  
**Chen**

(10) **Patent No.:** **US D646,834 S**

(45) **Date of Patent:** **\*\* Oct. 11, 2011**

(54) **MOSAIC SOLAR LAMP**

(75) Inventor: **Chi Gon Chen**, Guang Zhou (CN)

(73) Assignee: **International Development LLC**,  
Roanoke, TX (US)

(\*\*) Term: **14 Years**

(21) Appl. No.: **29/389,672**

(22) Filed: **Apr. 14, 2011**

(51) **LOC (9) Cl.** ..... **26-03**

(52) **U.S. Cl.** ..... **D26/87**

(58) **Field of Classification Search** ..... D26/67,  
D26/68, 72, 82, 83, 85, 87, 89, 92, 128; 362/133,  
362/432, 183

See application file for complete search history.

(56) **References Cited**

**U.S. PATENT DOCUMENTS**

D73,386 S *	8/1927	Lipschutz	.....	D26/87
D80,849 S *	4/1930	Miller	.....	D26/128
D83,935 S *	4/1931	Wing	.....	D26/87
D85,628 S *	11/1931	Wing	.....	D26/87

D431,669 S *	10/2000	Milicia	.....	D26/128
D458,704 S *	6/2002	Orozco	.....	D26/92
D500,570 S *	1/2005	Tsai	.....	D26/87
D578,238 S *	10/2008	Vidmar	.....	D26/68
D601,746 S *	10/2009	Sabernig	.....	D26/120
D604,448 S *	11/2009	Sabernig	.....	D26/89

\* cited by examiner

*Primary Examiner* — Clare E Heflin

(74) *Attorney, Agent, or Firm* — Brian E. Harris

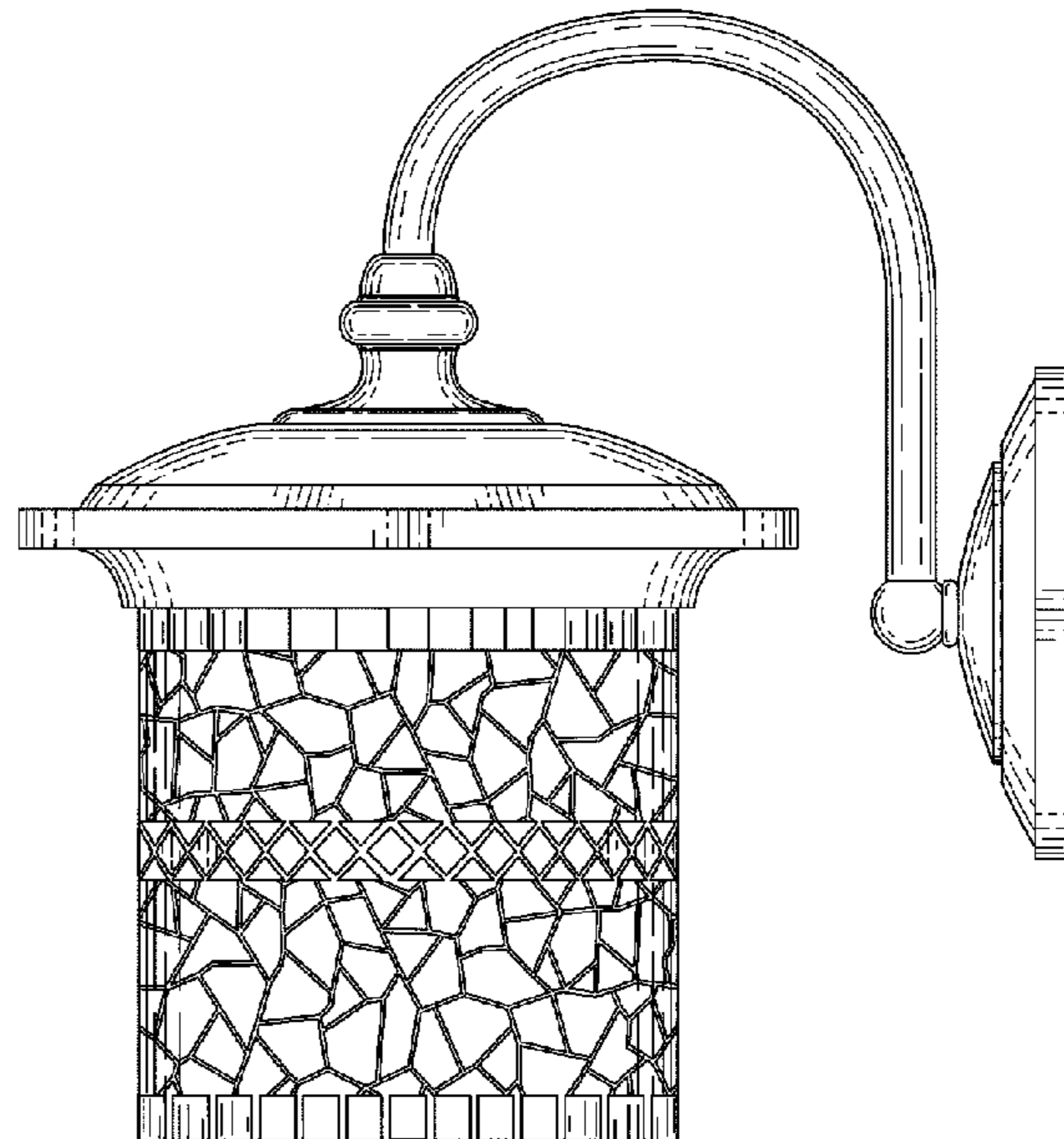
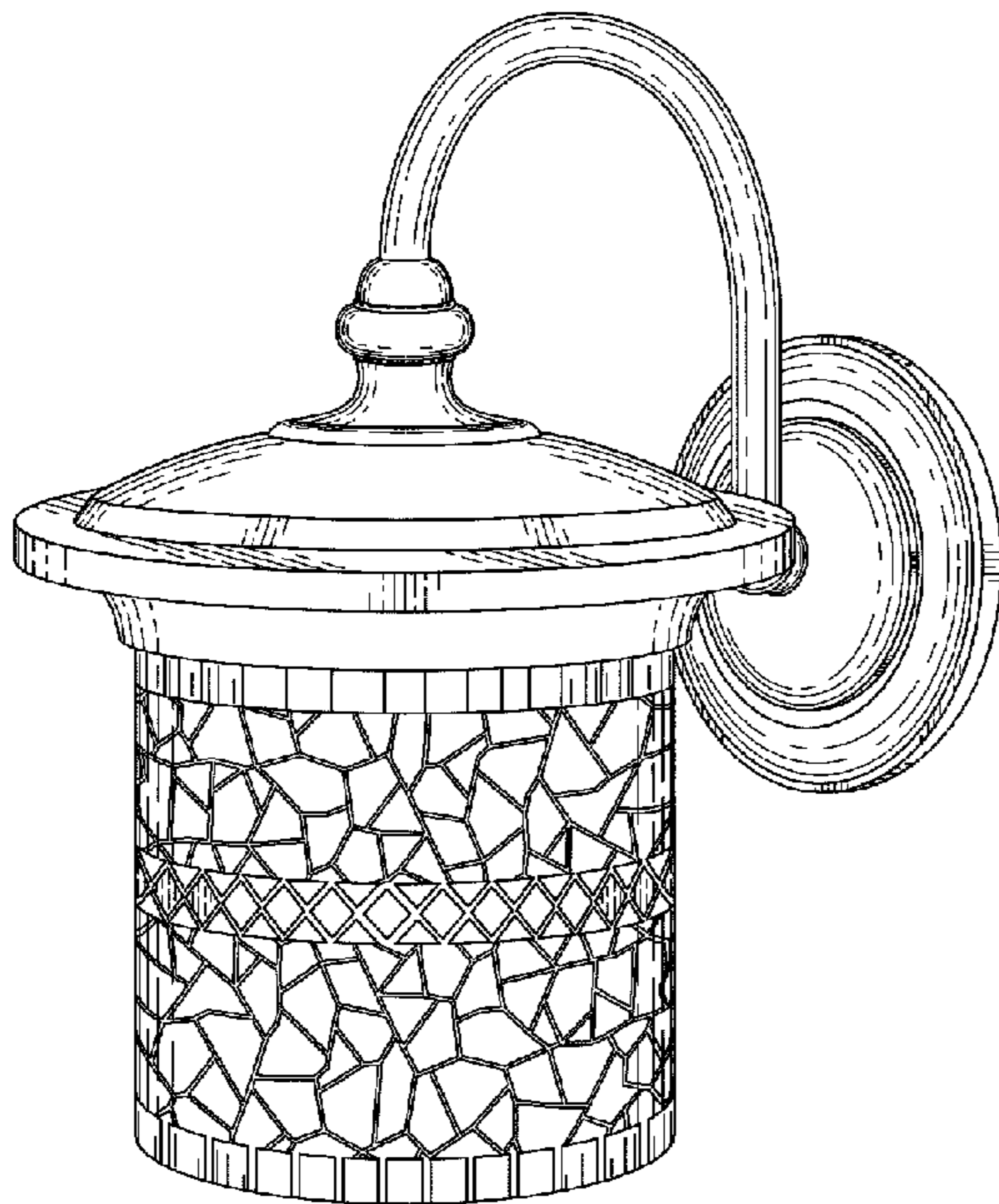
(57) **CLAIM**

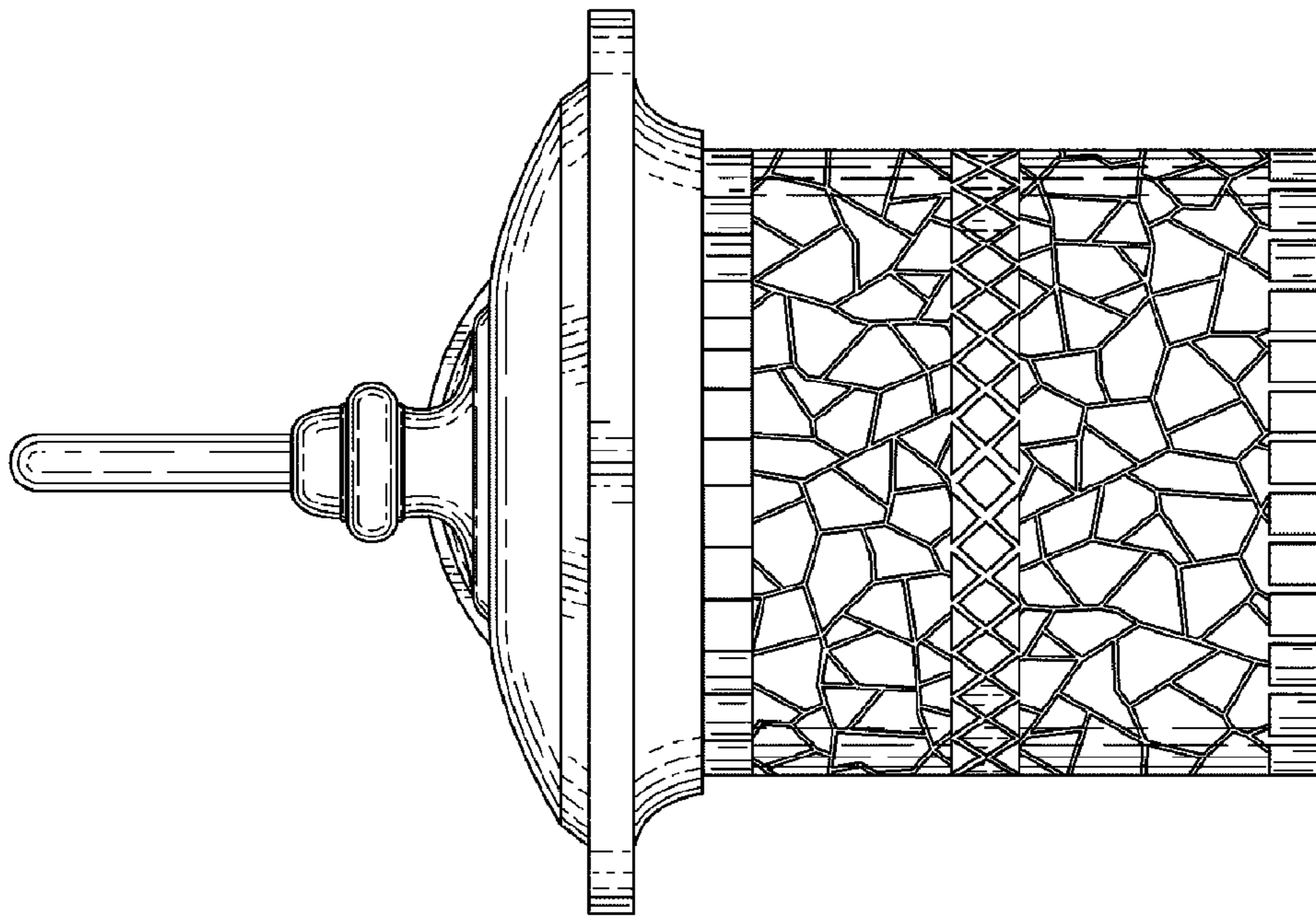
The ornamental design for a mosaic solar lamp, as shown and described.

**DESCRIPTION**

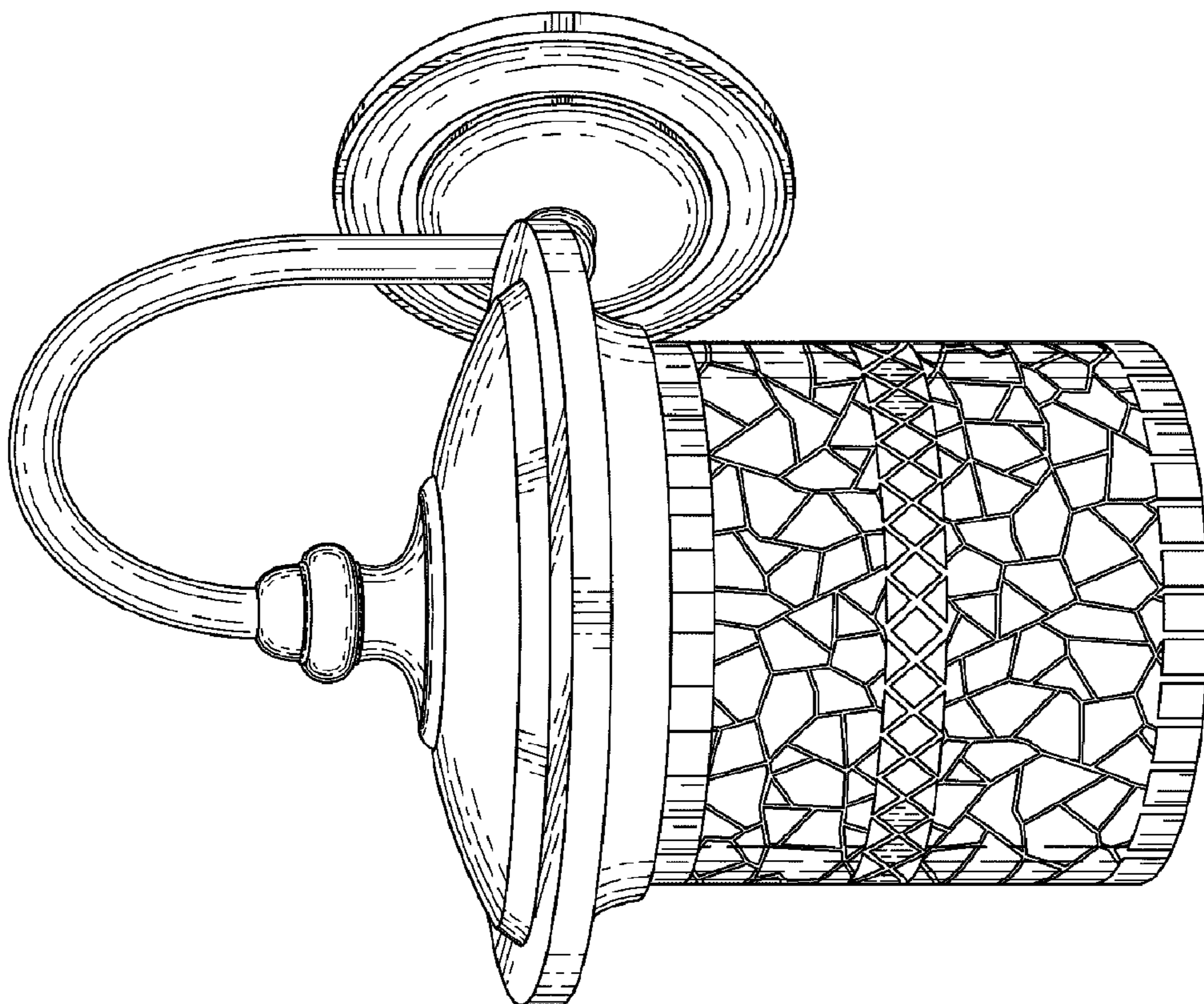
FIG. 1 is a perspective view of the mosaic solar lamp of the present invention;  
FIG. 2 is a front elevation view thereof;  
FIG. 3 is a rear elevation view thereof;  
FIG. 4 is a left side elevation view thereof, the right side elevation view being a mirror image thereof;  
FIG. 5 is a top plan view thereof; and,  
FIG. 6 is a bottom plan view thereof.

**1 Claim, 3 Drawing Sheets**

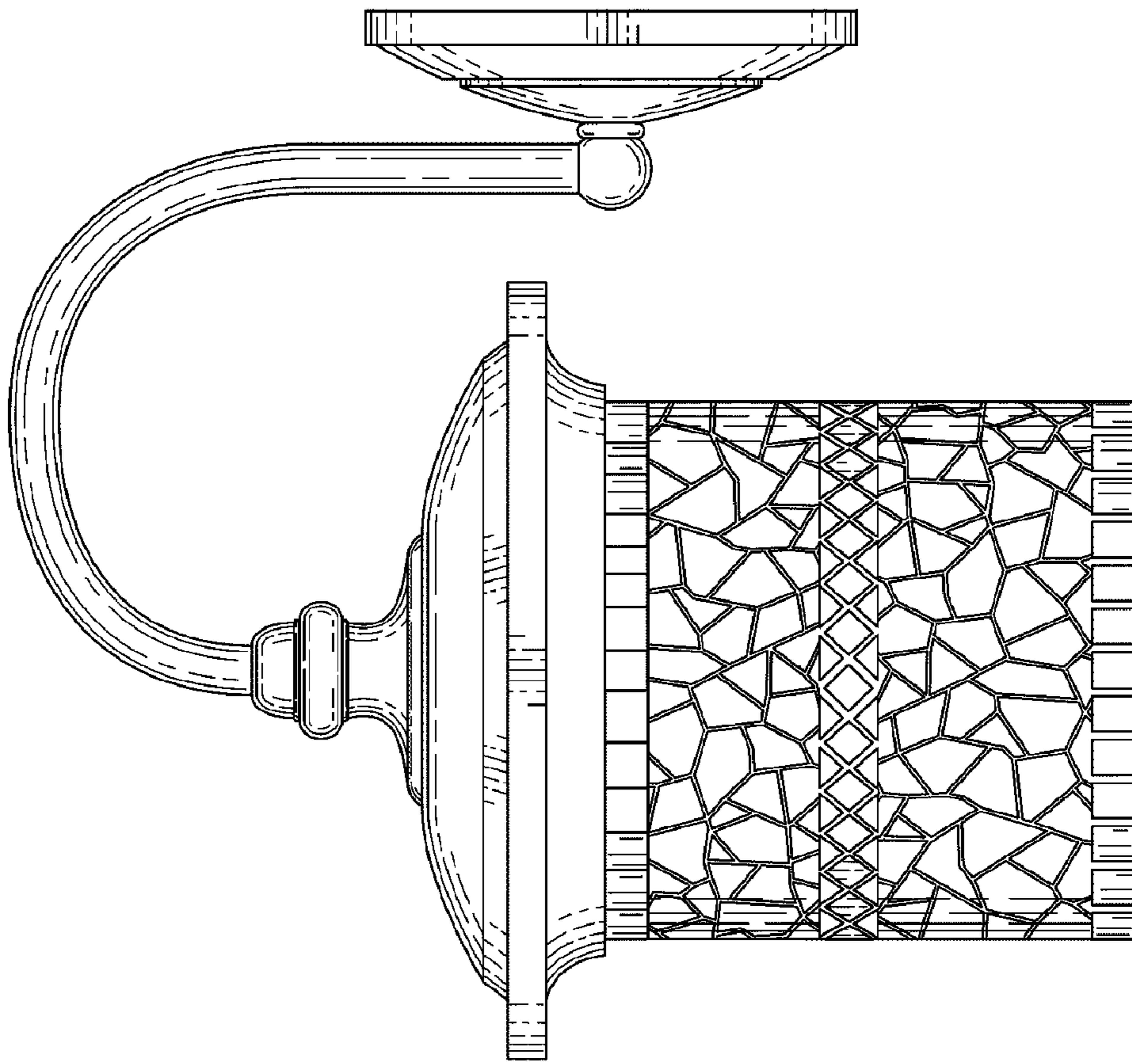




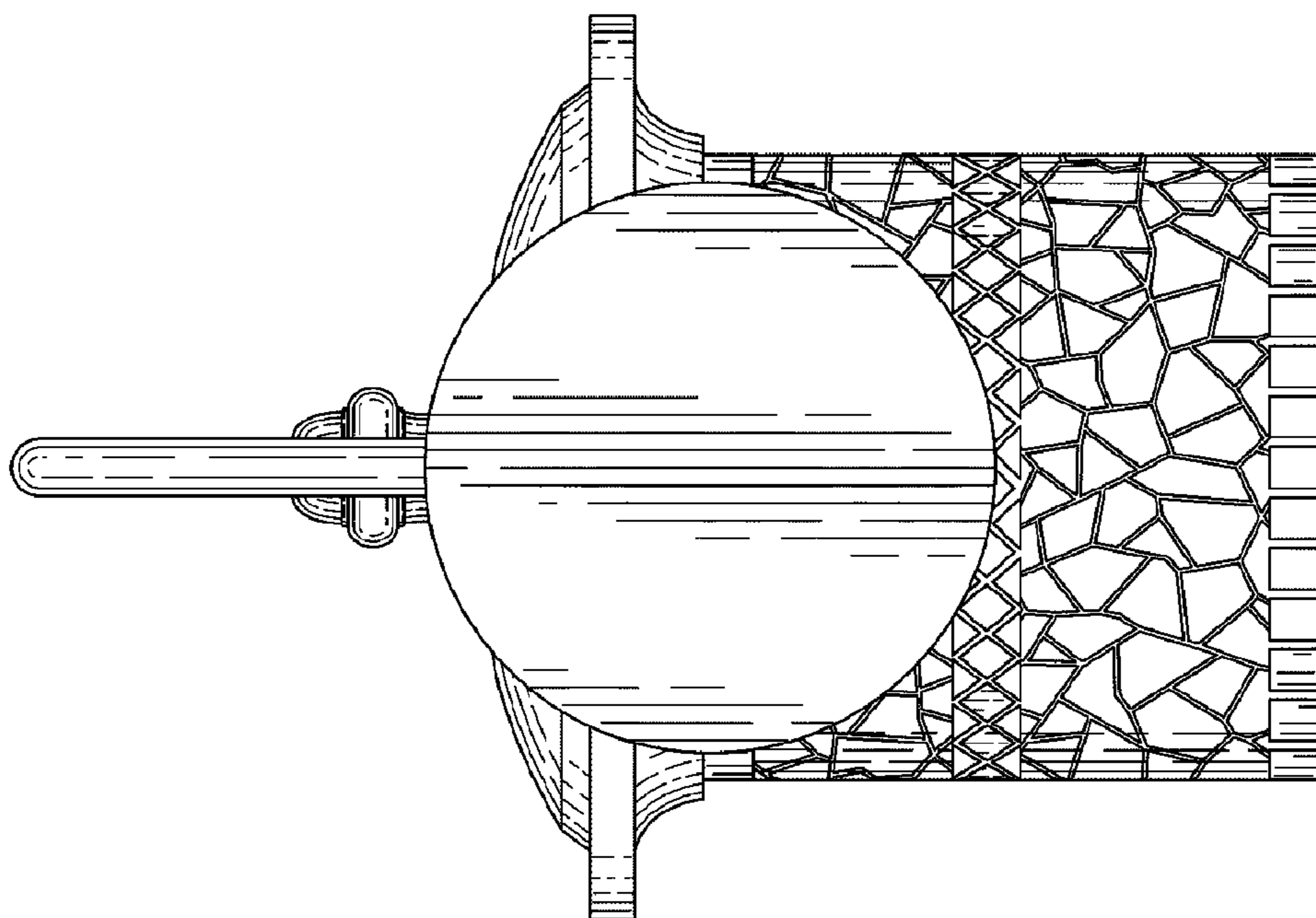
**FIG. 2**



**FIG. 1**



**FIG. 3**



**FIG. 4**

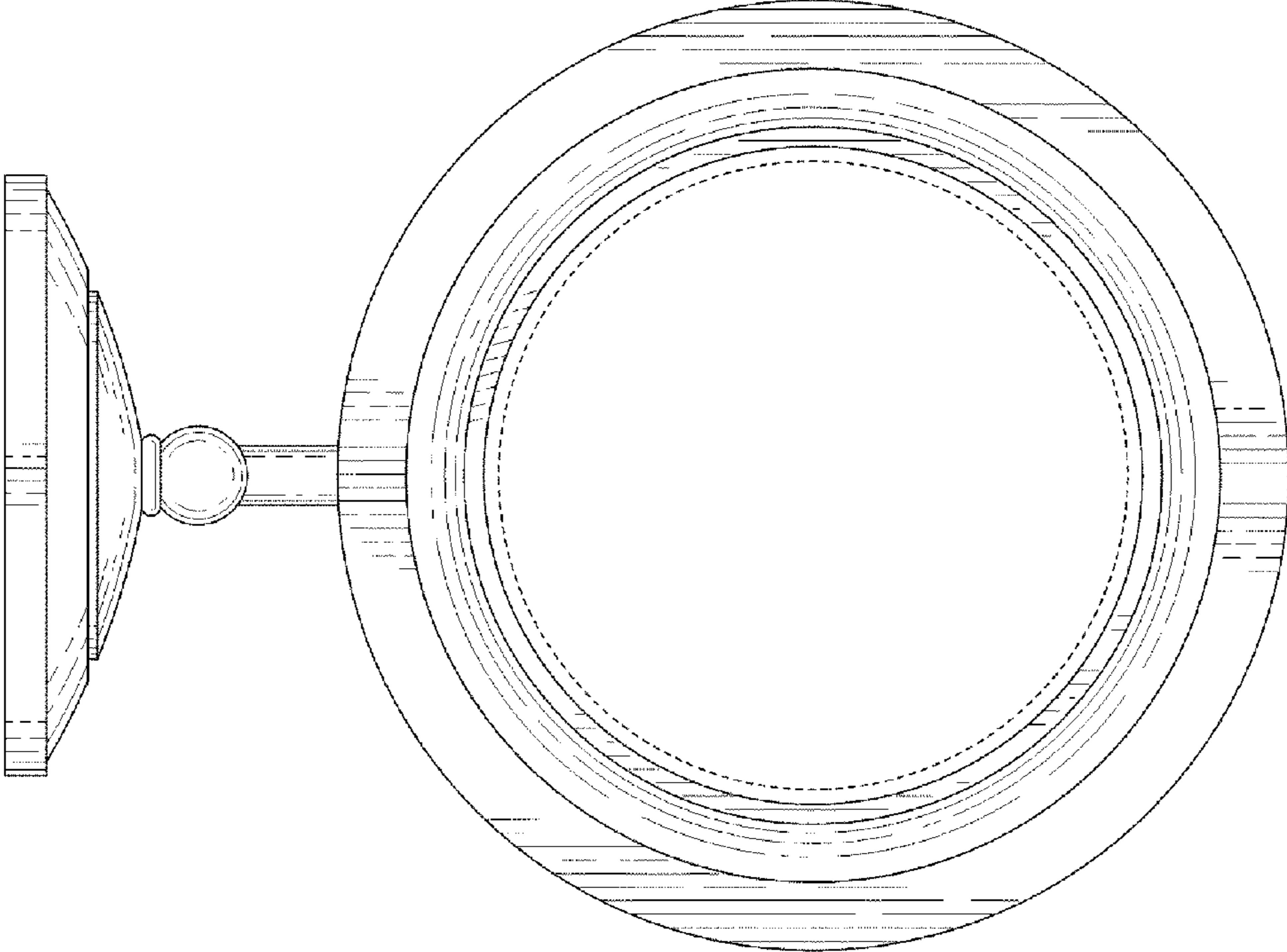


FIG. 5

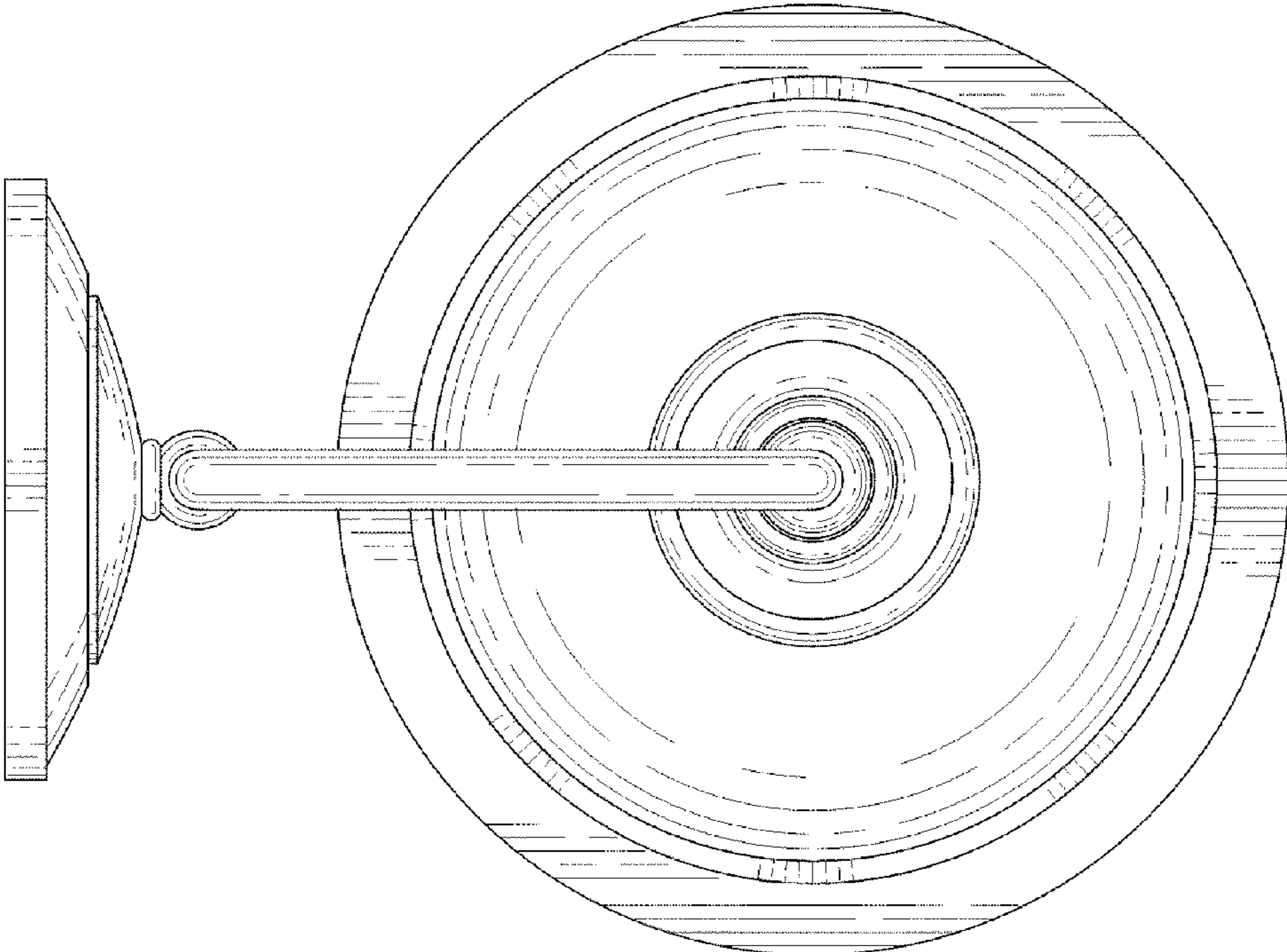


FIG. 6