



US00D646828S

(12) **United States Design Patent**
Pan

(10) **Patent No.:** **US D646,828 S**

(45) **Date of Patent:** **** Oct. 11, 2011**

(54) **LAMP**

(75) **Inventor:** **Dezhi Pan**, Haizhu District (CN)

(73) **Assignee:** **Vas Lighting Co., Limited** (CN)

(**) **Term:** **14 Years**

(21) **Appl. No.:** **29/352,851**

(22) **Filed:** **Dec. 29, 2009**

(51) **LOC (9) Cl.** **26-05**

(52) **U.S. Cl.** **D26/74**

(58) **Field of Classification Search** D26/24,
D26/72, 74, 80, 81, 83, 85, 88, 61, 63; 362/576,
362/89, 145, 147, 148, 150, 151, 152, 153,
362/153.1, 294, 296.01, 311.02, 311.07,
362/364, 365, 366, 373

See application file for complete search history.

(56) **References Cited**

U.S. PATENT DOCUMENTS

D201,544 S *	7/1965	Brooks	D25/56
D421,316 S *	2/2000	Fiorato	D26/74
D456,552 S *	4/2002	Russello et al.	D26/85
D458,403 S *	6/2002	Landefeld et al.	D26/67
D461,016 S *	7/2002	Schreder	D26/24
D483,511 S *	12/2003	Lay et al.	D26/80
D488,251 S *	4/2004	Benghozi	D26/118

D491,686 S *	6/2004	Citterio	D26/72
6,755,550 B1 *	6/2004	Lackey	362/147
D578,242 S *	10/2008	Couillard et al.	D26/85
D603,997 S *	11/2009	Shiu	D26/72
D609,840 S *	2/2010	Tang	D26/74
7,722,208 B1 *	5/2010	Dupre et al.	362/147
D630,786 S *	1/2011	Pan	D26/68
D630,787 S *	1/2011	Pan	D26/68

* cited by examiner

Primary Examiner — Angela J Lee

(74) *Attorney, Agent, or Firm* — Schmeiser, Olsen & Watts, LLP

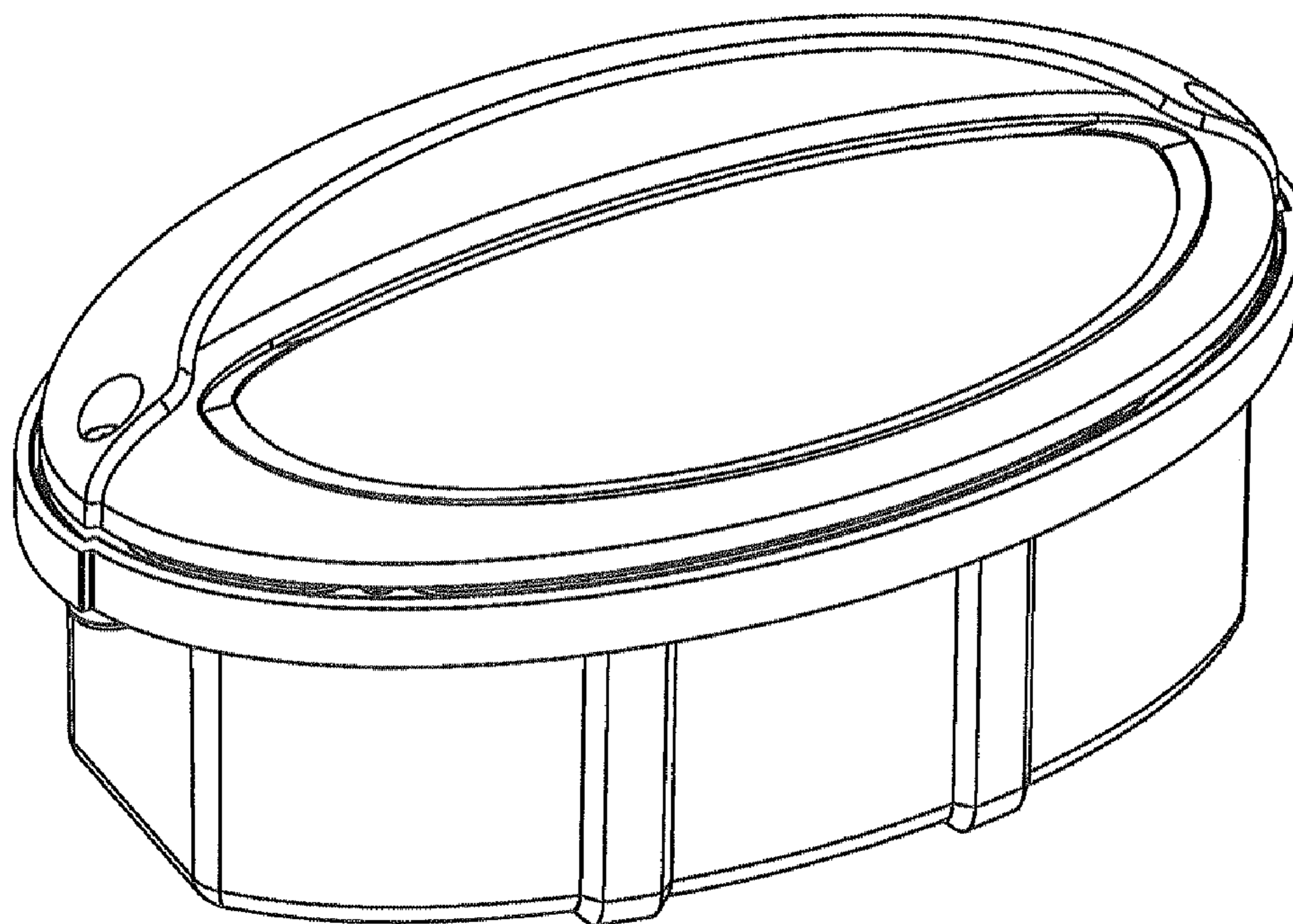
(57) **CLAIM**

The ornamental design for a lamp, as shown and described.

DESCRIPTION

FIG. 1 is a front view of the lamp showing my new design; FIG. 2 is a back view thereof; FIG. 3 is a bottom view thereof; FIG. 4 is a top view thereof; FIG. 5 is a right side view thereof; FIG. 6 is a left side view thereof; and, FIG. 7 is a perspective view of the lamp according to my design, as seen from above.

1 Claim, 3 Drawing Sheets



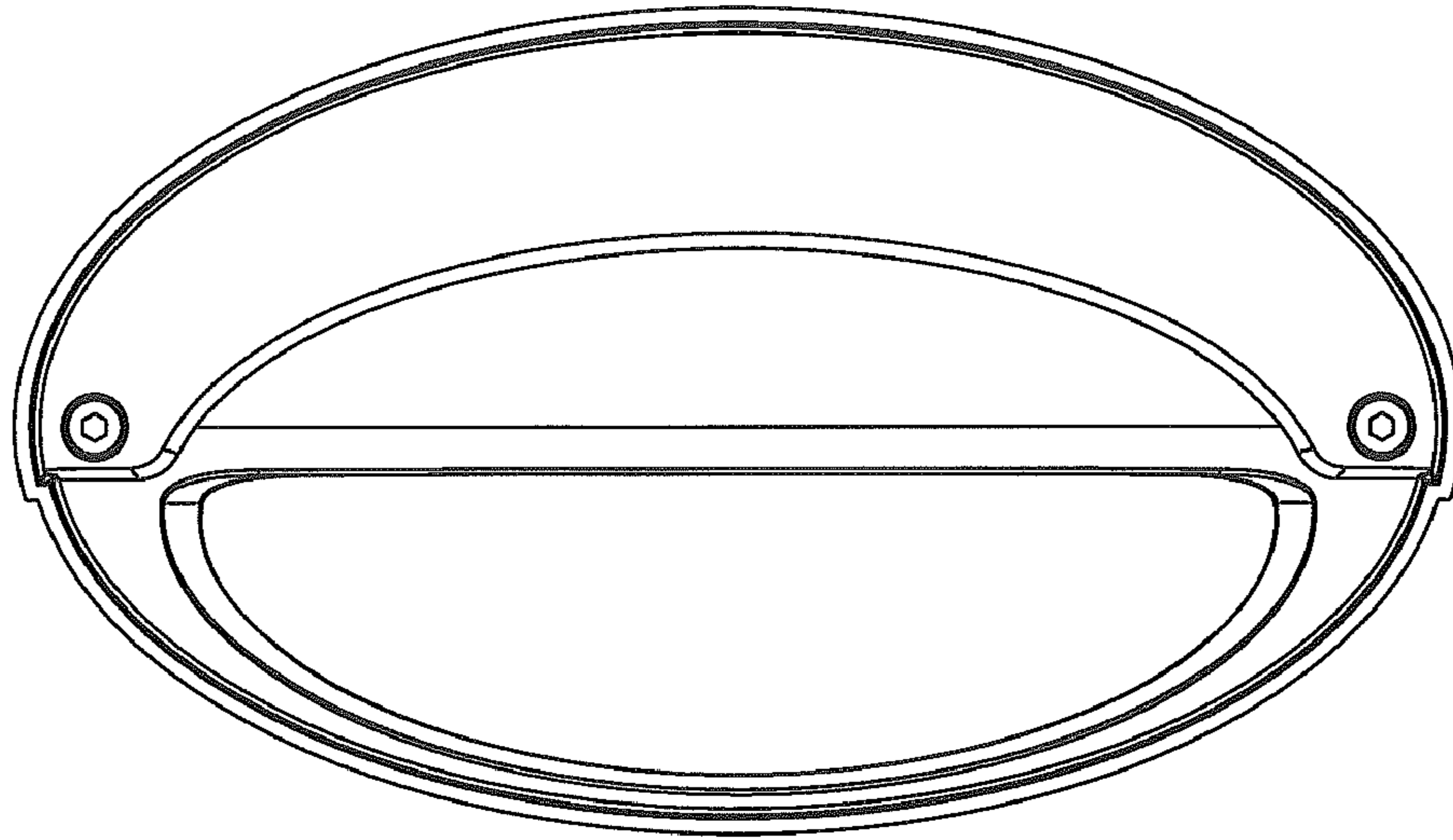


FIG. 1

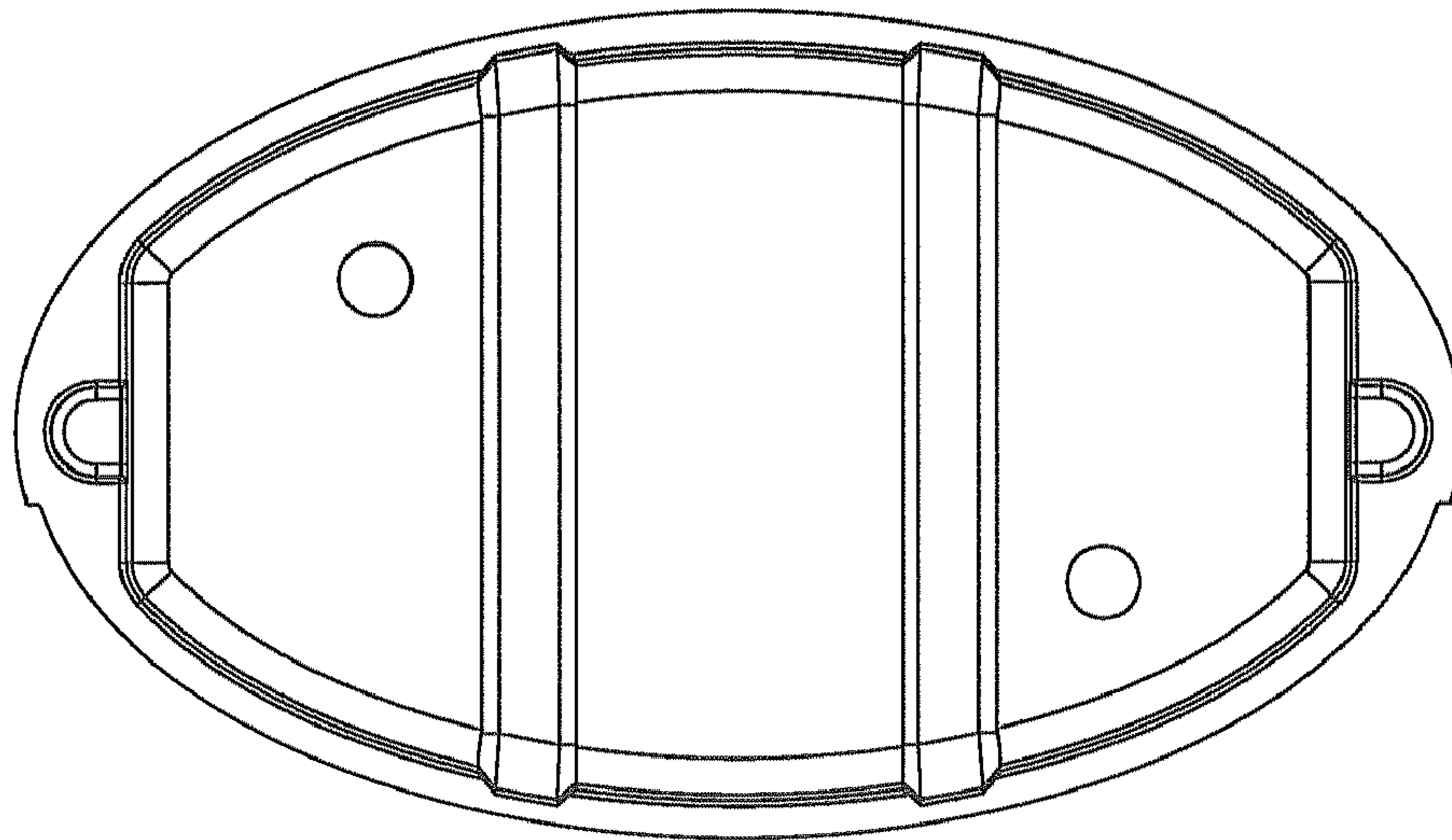


FIG. 2

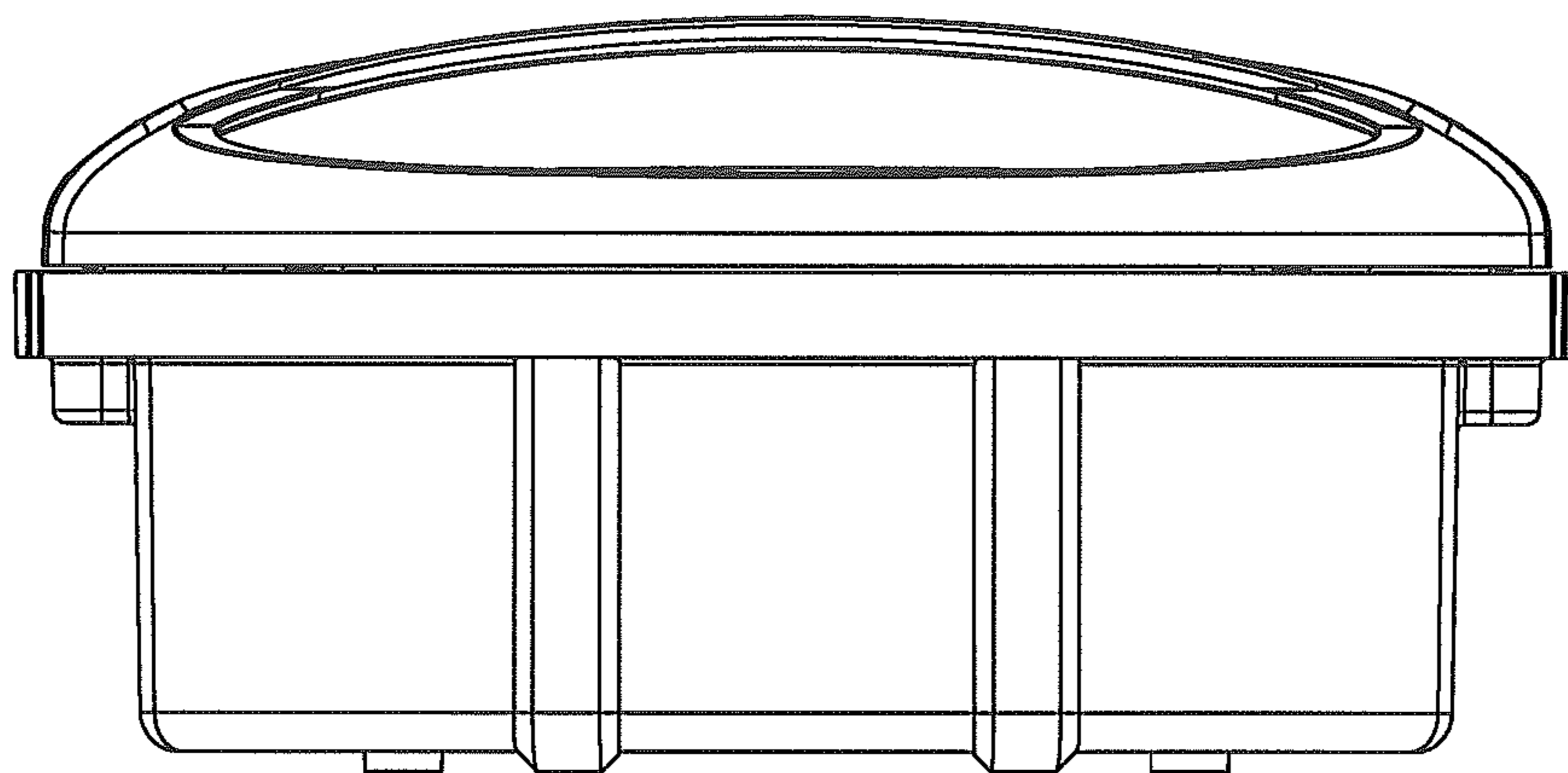


FIG.3

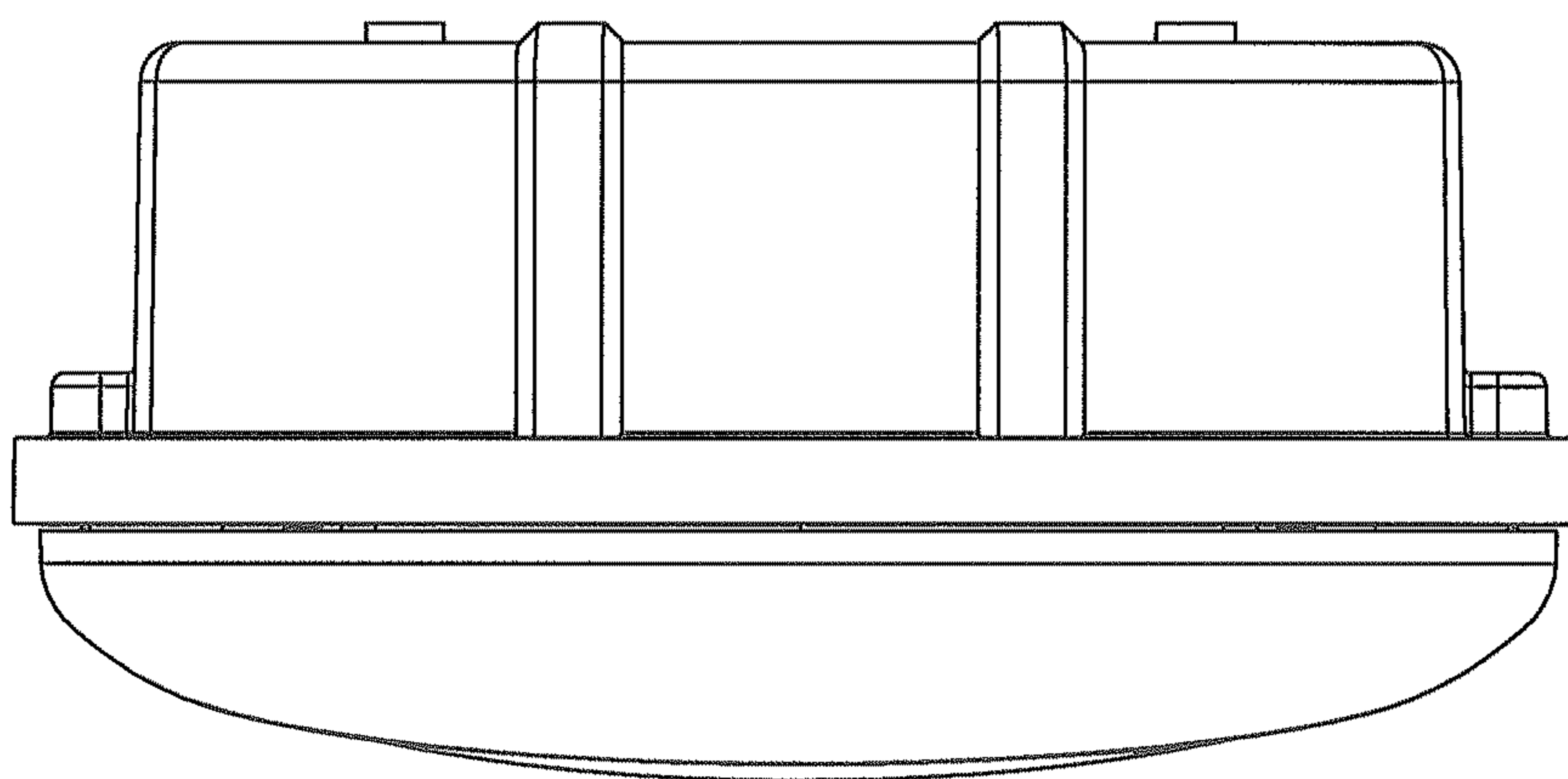


FIG.4

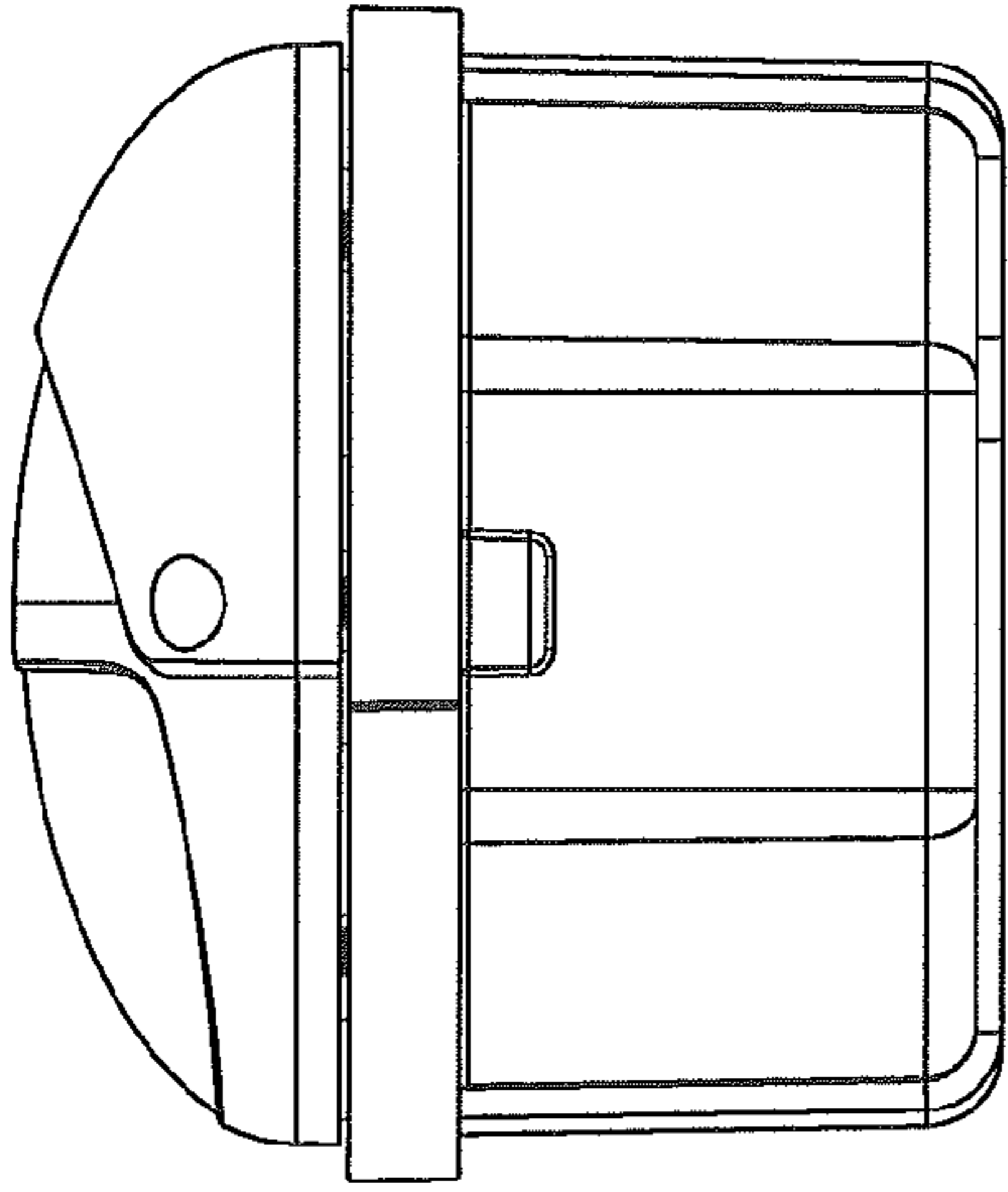


FIG. 5

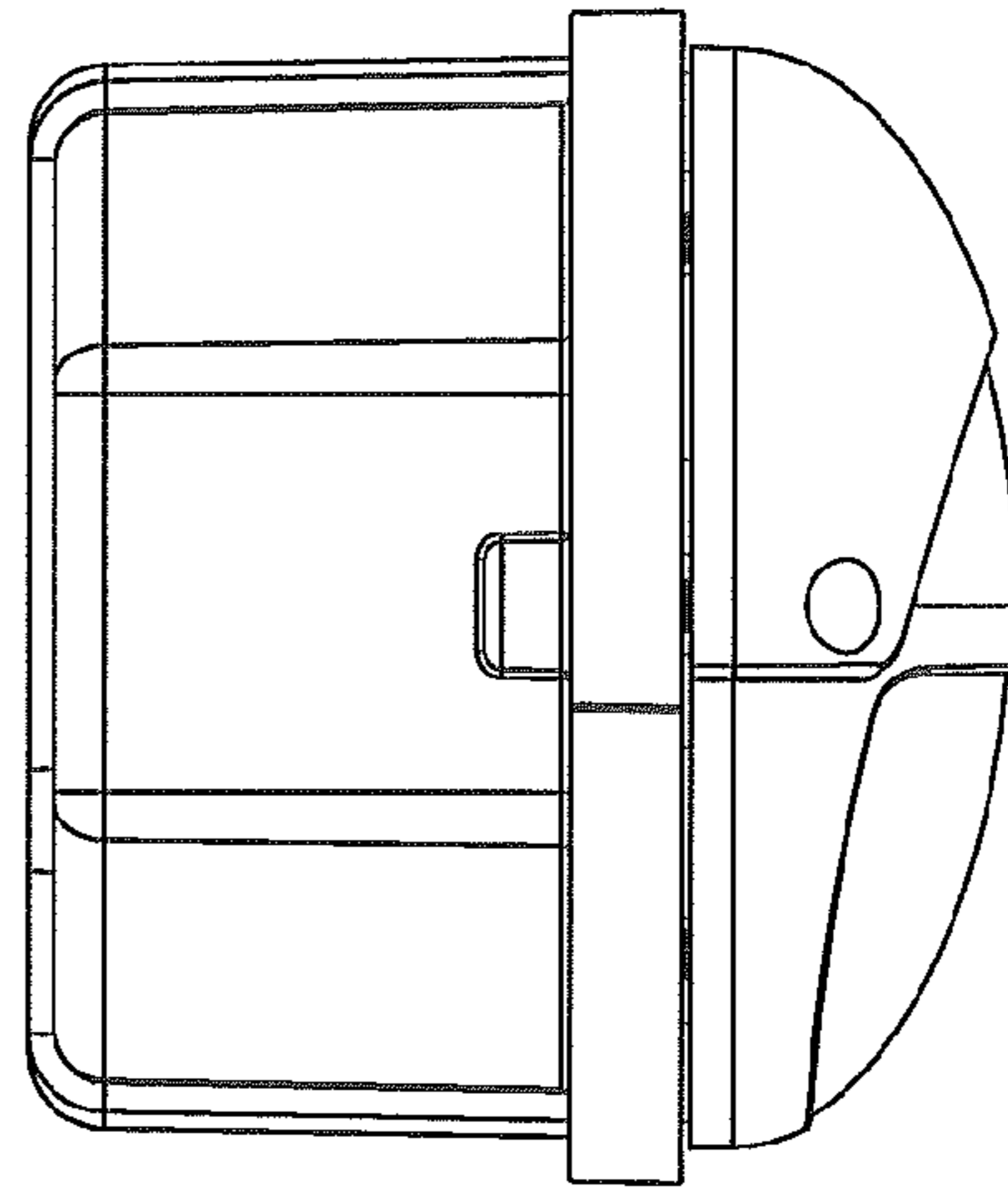


FIG. 6

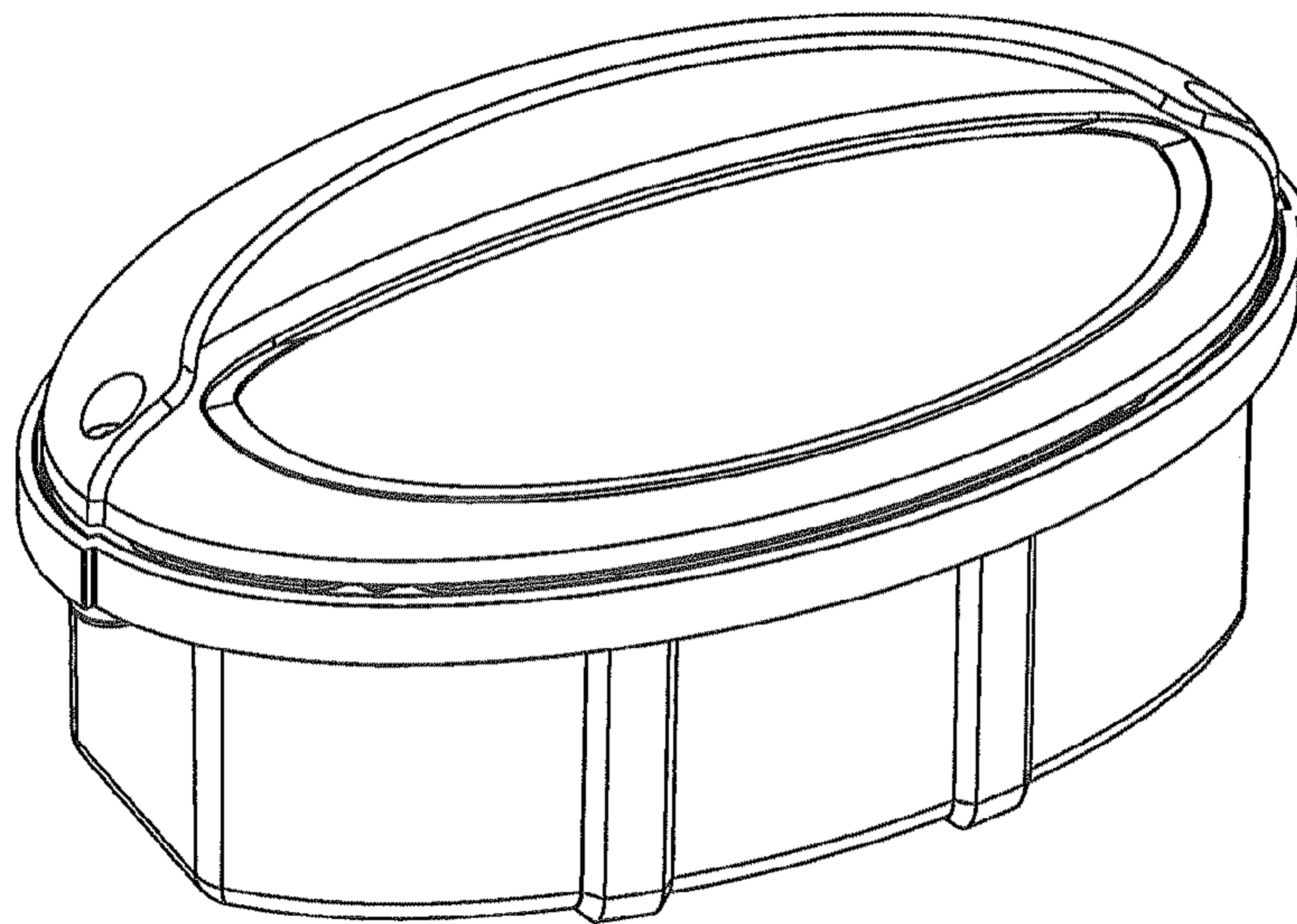


FIG. 7