



US00D646827S

(12) **United States Design Patent**
Van Gompel

(10) **Patent No.:** **US D646,827 S**

(45) **Date of Patent:** **** Oct. 11, 2011**

(54) **LED LAMP**

(75) Inventor: **Waltherus Emericus Johannes Van Gompel, Eersel (NL)**

(73) Assignee: **Koninklijke Philips Electronics N.V., Eindhoven (NL)**

(**) Term: **14 Years**

(21) Appl. No.: **29/351,729**

(22) Filed: **Dec. 10, 2009**

(30) **Foreign Application Priority Data**

Jun. 24, 2009 (EM) 001560228-0001

(51) **LOC (9) Cl.** **26-05**

(52) **U.S. Cl.** **D26/74**

(58) **Field of Classification Search** D26/24,
D26/72, 74, 80, 81, 83, 85, 88, 61, 63, 118,
D26/75-79; 362/576, 89, 145, 147, 148,
362/150, 151, 152, 153, 153.1, 294, 296.01,
362/311.02, 311.07, 364, 365, 366, 373

See application file for complete search history.

(56) **References Cited**

U.S. PATENT DOCUMENTS

D161,950	S	*	2/1951	Momath	D26/72
D300,866	S	*	4/1989	Macaluso	D26/28
D312,842	S	*	12/1990	Younger et al.	D20/42
D320,863	S	*	10/1991	Macaluso	D26/29
D343,915	S	*	2/1994	Baader et al.	D26/28
D570,518	S	*	6/2008	Haimov	D26/74
D610,736	S	*	2/2010	Klaus	D26/76
D612,958	S	*	3/2010	Uemoto et al.	D26/24
D622,231	S	*	8/2010	Sung	D13/180
D629,553	S	*	12/2010	Gielen	D26/76
D630,777	S	*	1/2011	Lee	D26/24

* cited by examiner

Primary Examiner — Angela J Lee

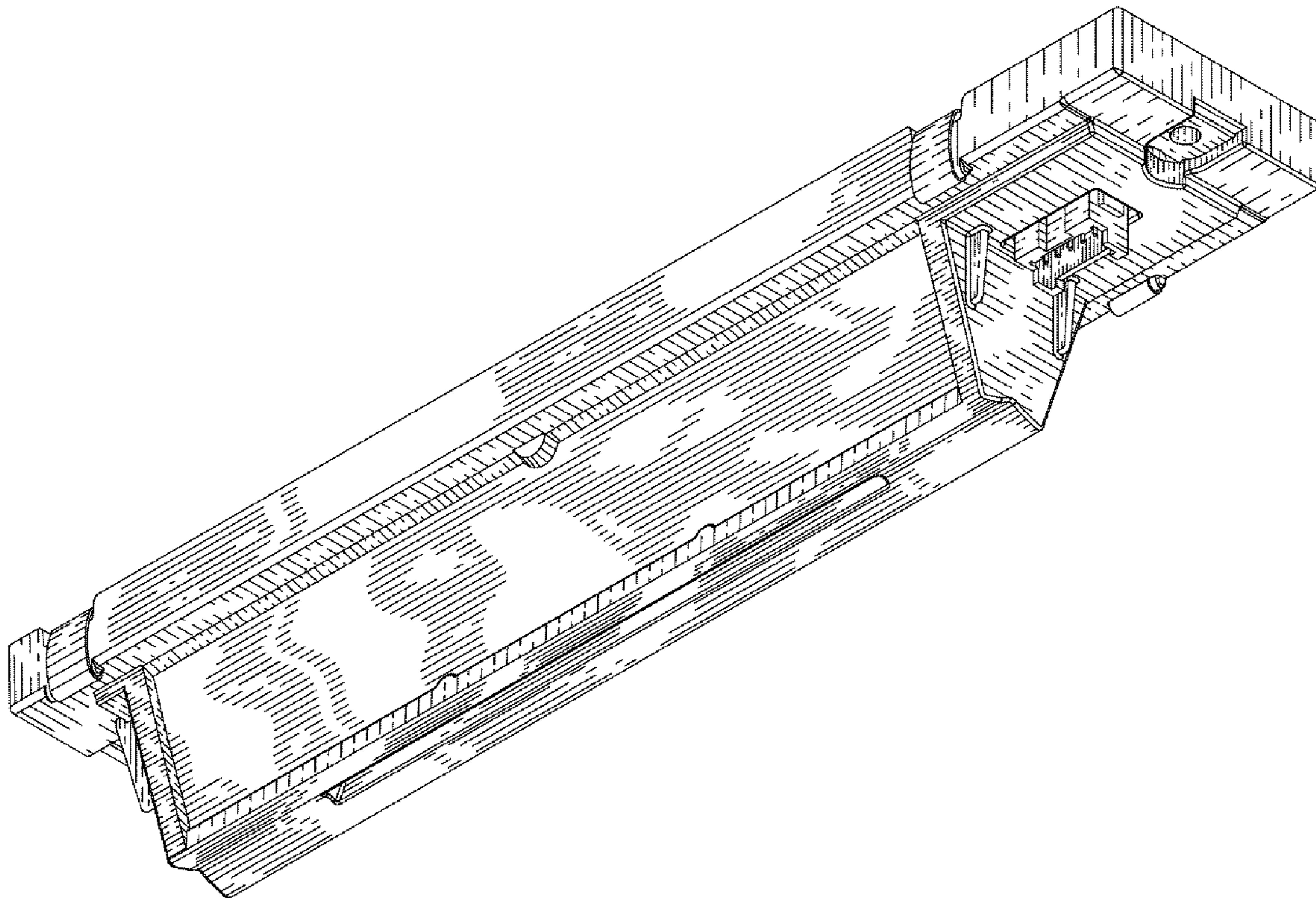
(57) **CLAIM**

The ornamental design for a LED lamp, as shown.

DESCRIPTION

FIG. 1 is a perspective view showing my design;
FIG. 2 is a front elevational view thereof;
FIG. 3 is a rear elevational view thereof;
FIG. 4 is a right side elevational view thereof;
FIG. 5 is a left side elevational view thereof;
FIG. 6 is a top plan view thereof; and,
FIG. 7 is a bottom plan view thereof.

1 Claim, 3 Drawing Sheets



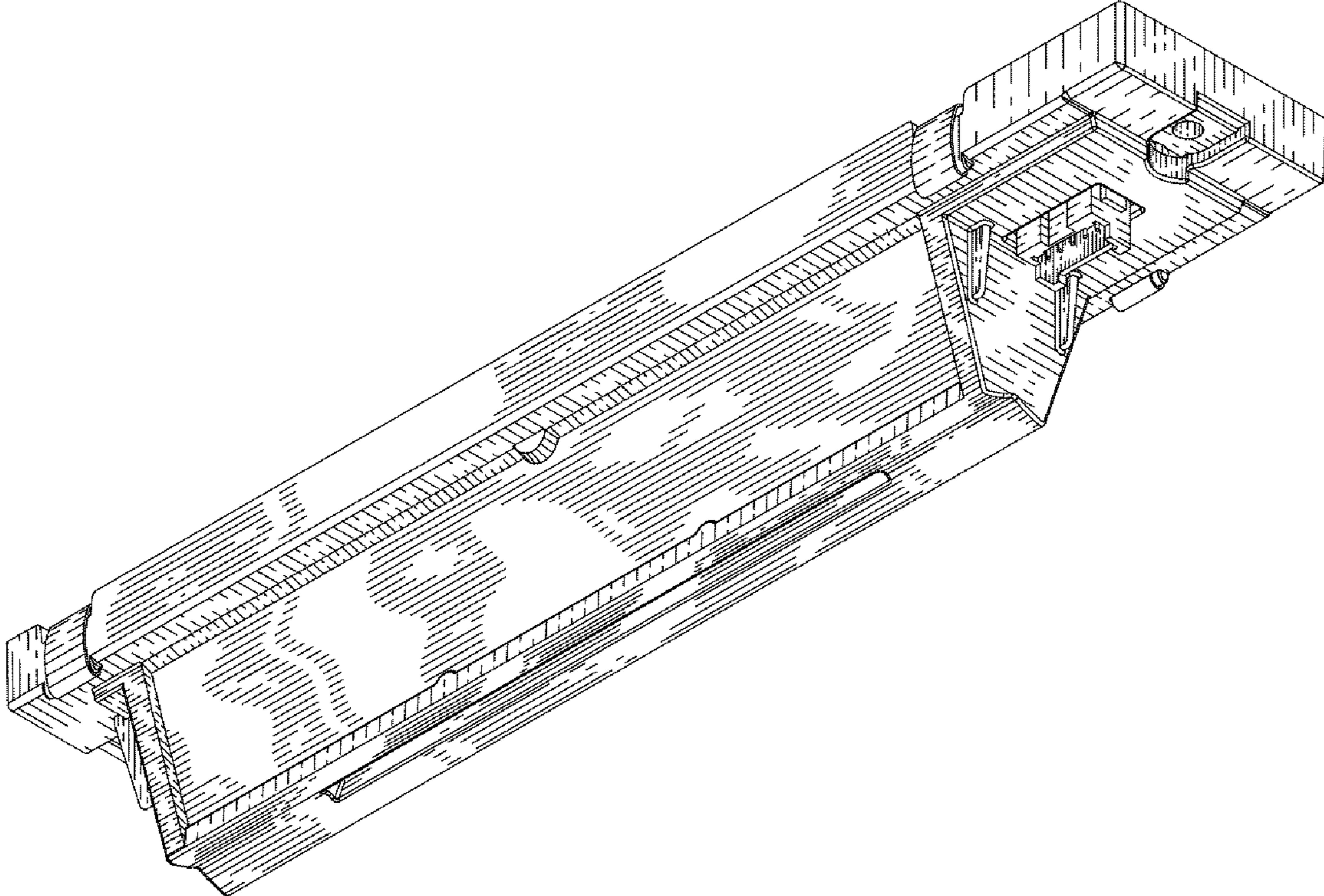


FIG. 1

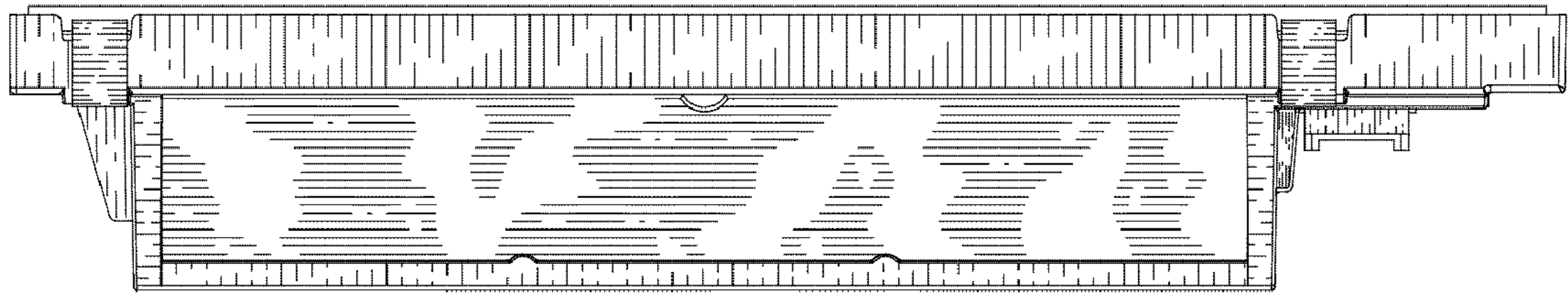


FIG. 2

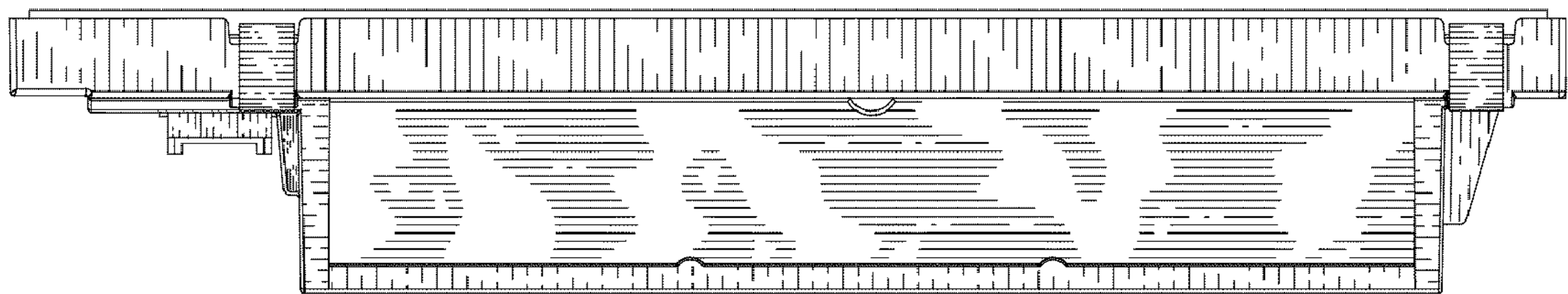


FIG. 3

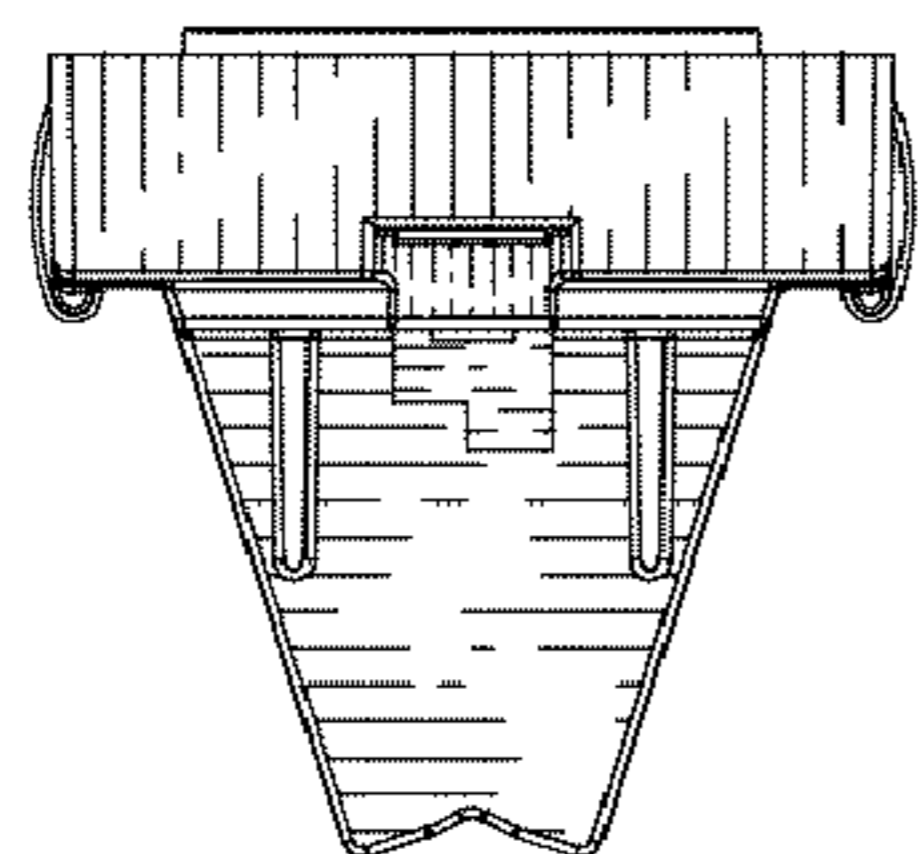


FIG. 4

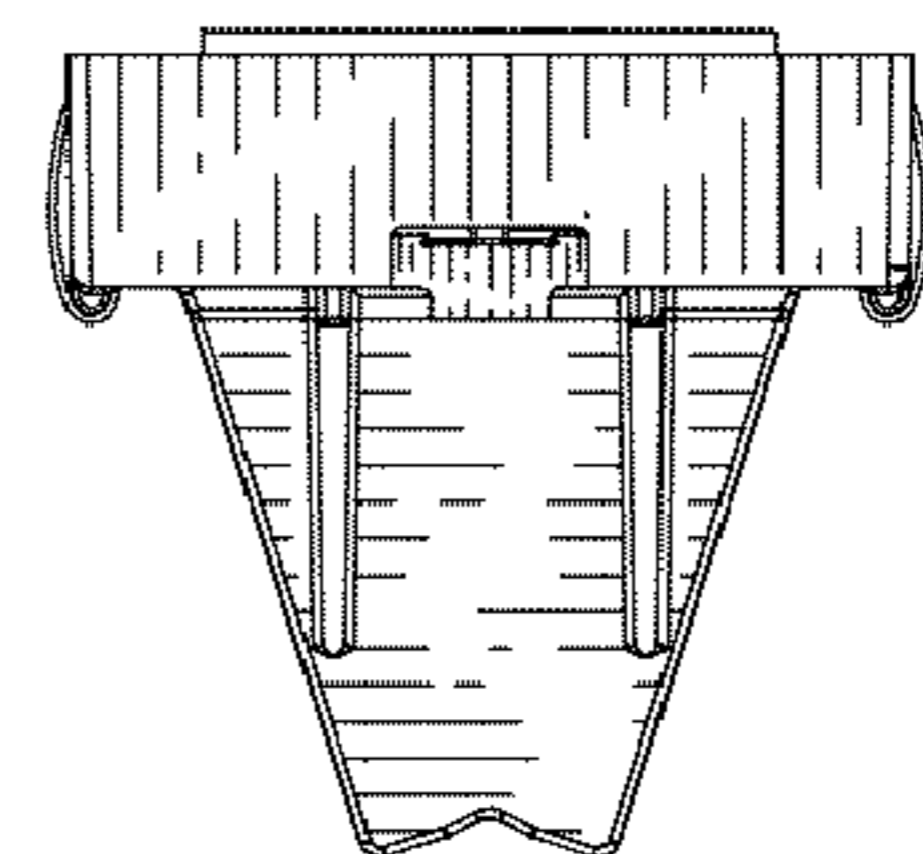


FIG. 5

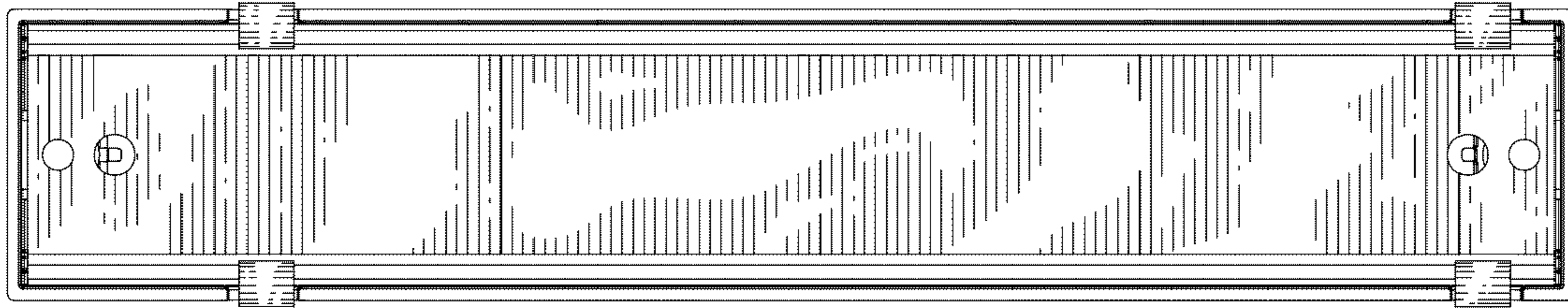


FIG. 6

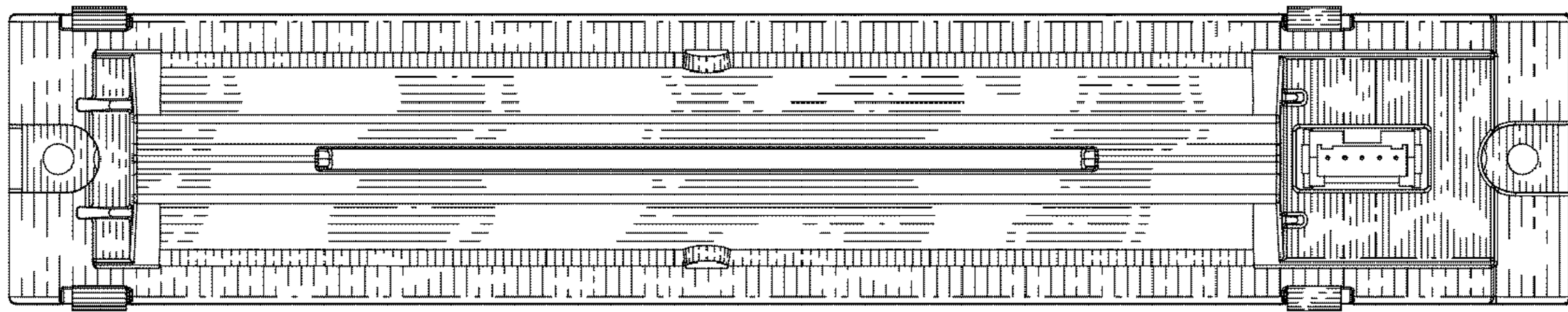


FIG. 7