



US00D646826S

(12) **United States Design Patent**
Smith

(10) **Patent No.:** **US D646,826 S**
(45) **Date of Patent:** **** Oct. 11, 2011**

(54) **LIGHT ASSEMBLY**

(75) Inventor: **Kenneth Smith**, Porum, OK (US)

(73) Assignee: **Optronics International, LLC**, Tulsa, OK (US)

(**) Term: **14 Years**

(21) Appl. No.: **29/346,526**

(22) Filed: **Nov. 2, 2009**

(51) **LOC (9) Cl.** **26-05**

(52) **U.S. Cl.** **D26/74**

(58) **Field of Classification Search** D26/24,
D26/72, 74, 80, 81, 83, 85, 88, 61, 63, 118,
D26/28; 362/576, 89, 145, 147, 148, 150,
362/151, 152, 153, 153.1, 294, 296.01, 311.02,
362/311.07, 364, 365, 366, 373
See application file for complete search history.

D393,729	S	4/1998	Tuttle	
D400,281	S	* 10/1998	Kerr	D26/74
D412,370	S	7/1999	Cece	
D417,027	S	11/1999	Cece	
D424,732	S	5/2000	Cece	
D427,343	S	* 6/2000	Reinbach	D26/28
6,120,163	A	9/2000	Graber et al.	
6,174,078	B1	1/2001	Ohm	
6,329,927	B1	12/2001	Hobson	
6,353,211	B1	3/2002	Chen	
D456,932	S	* 5/2002	Crosby	D26/85
6,619,815	B2	9/2003	Southern, Jr.	
6,644,829	B1	11/2003	Tracy et al.	
6,705,749	B1	3/2004	Smith	
6,739,735	B2	5/2004	Talamo et al.	
D493,565	S	7/2004	Smith et al.	
D499,976	S	* 12/2004	Neufeglise et al.	D10/114.4
6,846,094	B2	1/2005	Luk	
D505,224	S	5/2005	Smith et al.	

(Continued)

Primary Examiner — Angela J Lee

(74) *Attorney, Agent, or Firm* — Head, Johnson & Kachigian, P.C.

(56) **References Cited**

U.S. PATENT DOCUMENTS

4,042,803	A	8/1977	Bickford	
4,107,507	A	8/1978	Schultz	
4,209,825	A	6/1980	Shackleford	
4,221,954	A	9/1980	Cohen	
4,279,255	A	7/1981	Huffman	
4,731,706	A	3/1988	Ricard	
D299,550	S	1/1989	Payne	
4,862,519	A	9/1989	Bull	
D307,059	S	* 4/1990	Szymanek	D26/74
D312,842	S	* 12/1990	Younger et al.	D20/42
5,148,002	A	9/1992	Kuo et al.	
D343,915	S	* 2/1994	Baader et al.	D26/28
D358,674	S	5/1995	Ramsey	
5,508,894	A	4/1996	Payne et al.	
5,567,035	A	10/1996	Dobler et al.	
5,642,933	A	7/1997	Hitora	
D382,659	S	8/1997	Kaloustian	
D385,638	S	10/1997	Bonnette et al.	
D386,805	S	11/1997	Bonnette et al.	
5,715,156	A	2/1998	Yilmaz et al.	

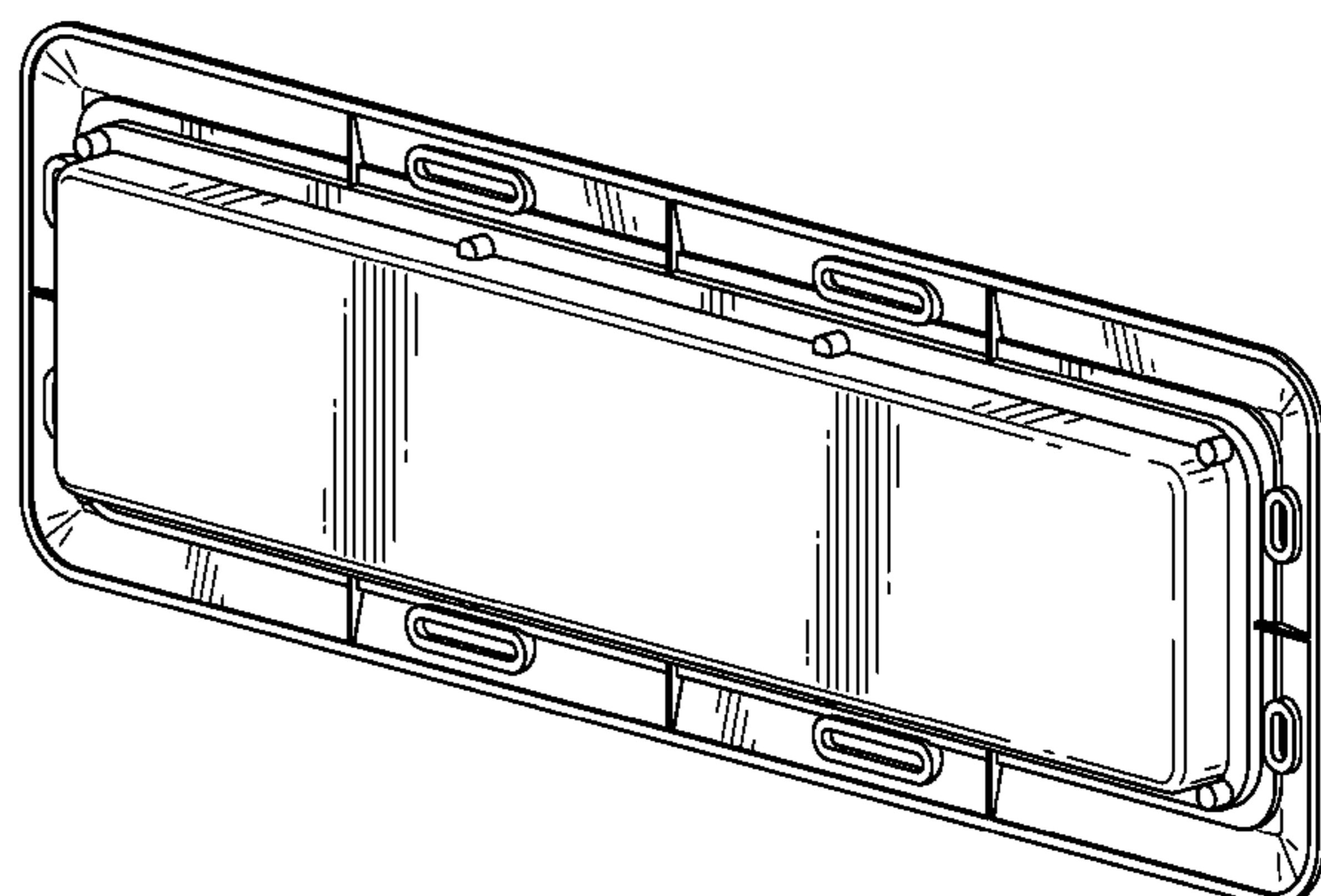
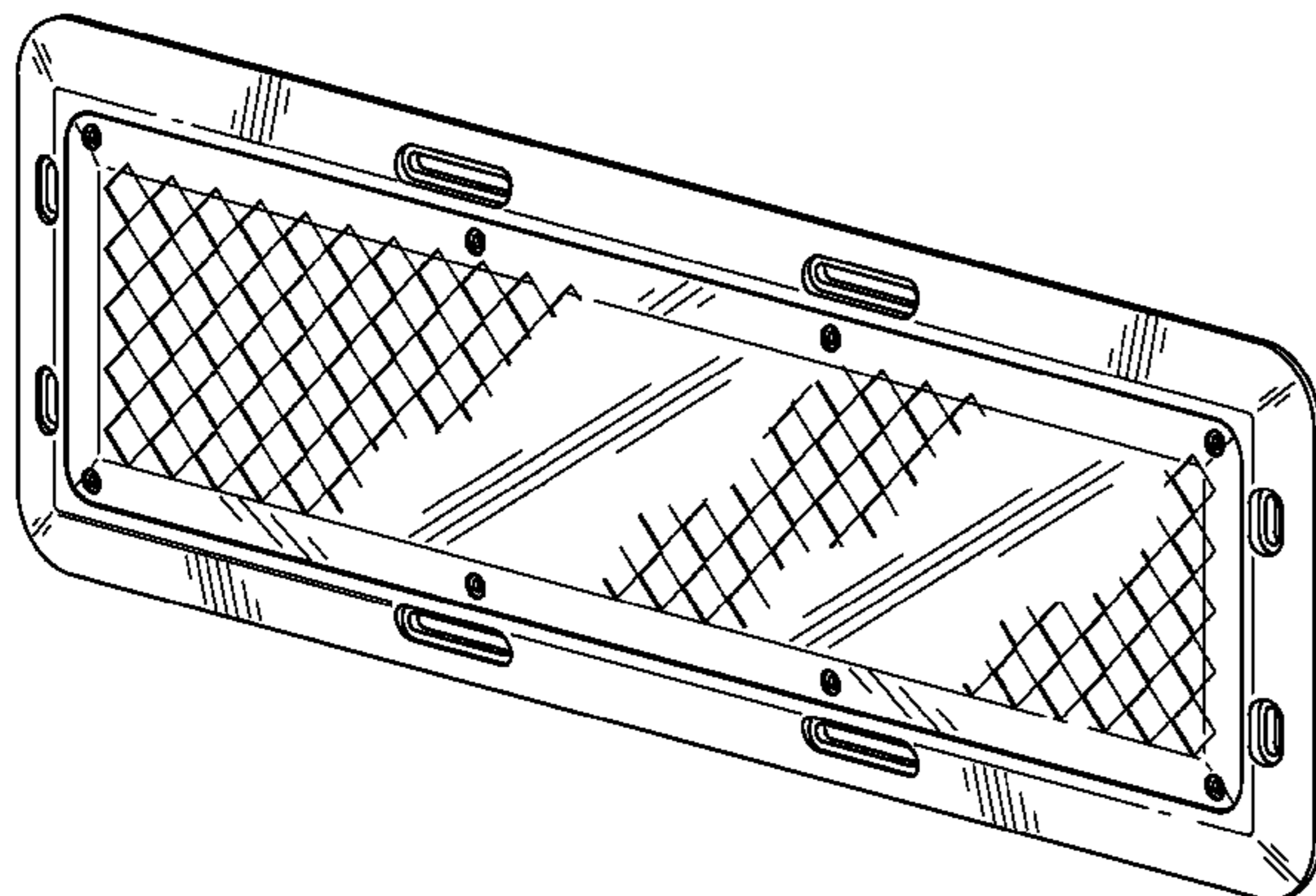
(57) **CLAIM**

The ornamental design for a light assembly, as shown and described.

DESCRIPTION

FIG. 1 is a perspective view of a light assembly showing my new design;
 FIG. 2 is an alternate perspective view thereof;
 FIG. 3 is a top view thereof;
 FIG. 4 is a front view thereof;
 FIG. 5 is a bottom view thereof.
 FIG. 6 is a right side view thereof;
 FIG. 7 is a rear view thereof; and,
 FIG. 8 is a sectional view taken along section line 8-8 of FIG. 4.
 The left side view is a mirror of the right side view shown in FIG. 6.

1 Claim, 3 Drawing Sheets



US D646,826 S

Page 2

U.S. PATENT DOCUMENTS							
D507,066	S	7/2005	Smith	D581,084	S * 11/2008	Kawaguchi et al.	D26/74
D517,711	S	3/2006	Payne et al.	D585,516	S	1/2009	Smith
7,114,834	B2	10/2006	Rivas et al.	D591,893	S *	5/2009	Waldmann D26/74
D532,544	S *	11/2006	Woertler D26/80	D602,624	S *	10/2009	Kawaguchi et al. D26/74
D551,786	S	9/2007	Smith	D612,958	S *	3/2010	Uemoto et al. D26/24
D565,235	S	3/2008	Smith	2002/0106931	A1	8/2002	Hsien-Te
D570,518	S *	6/2008	Haimov D26/74				* cited by examiner

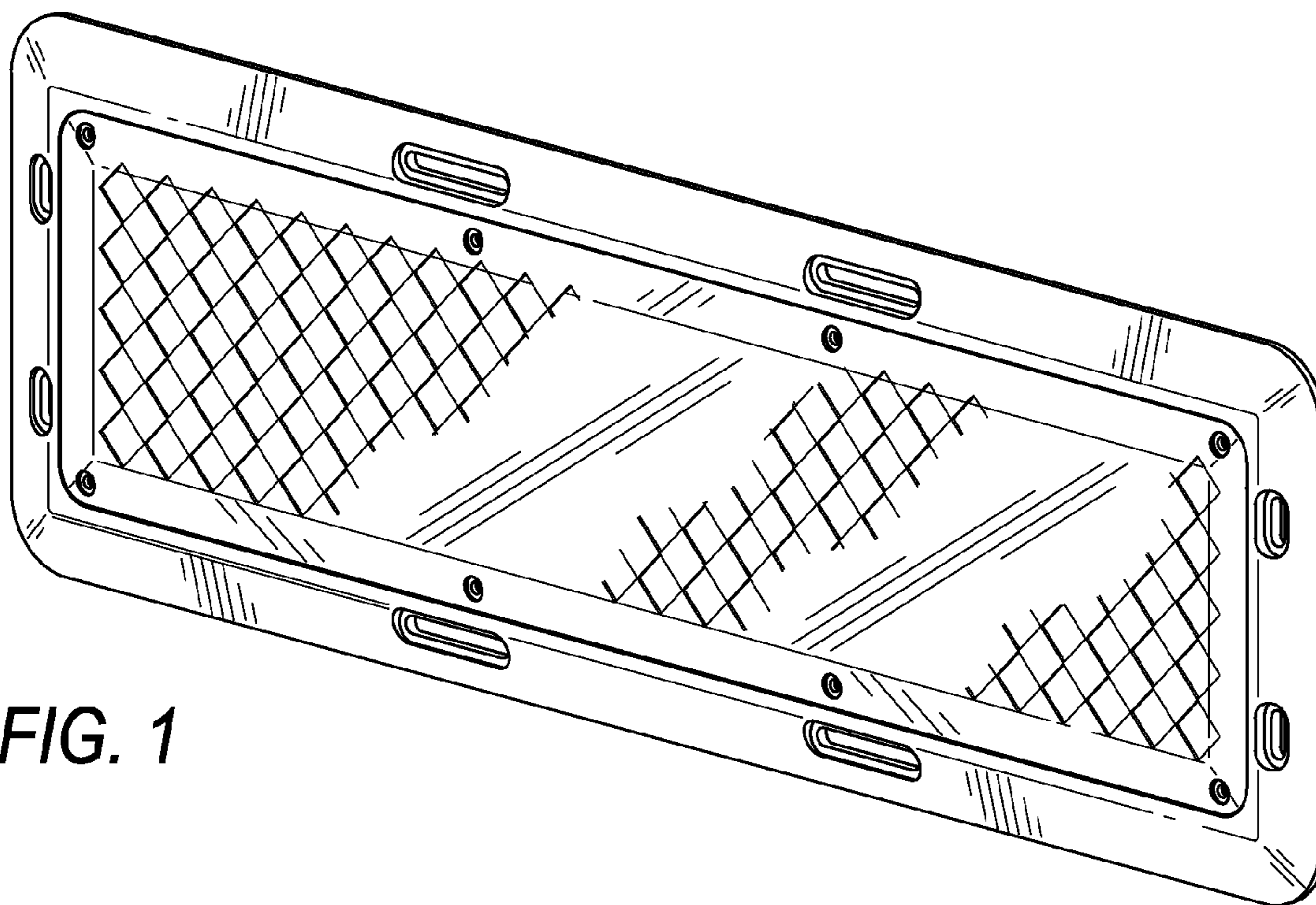


FIG. 1

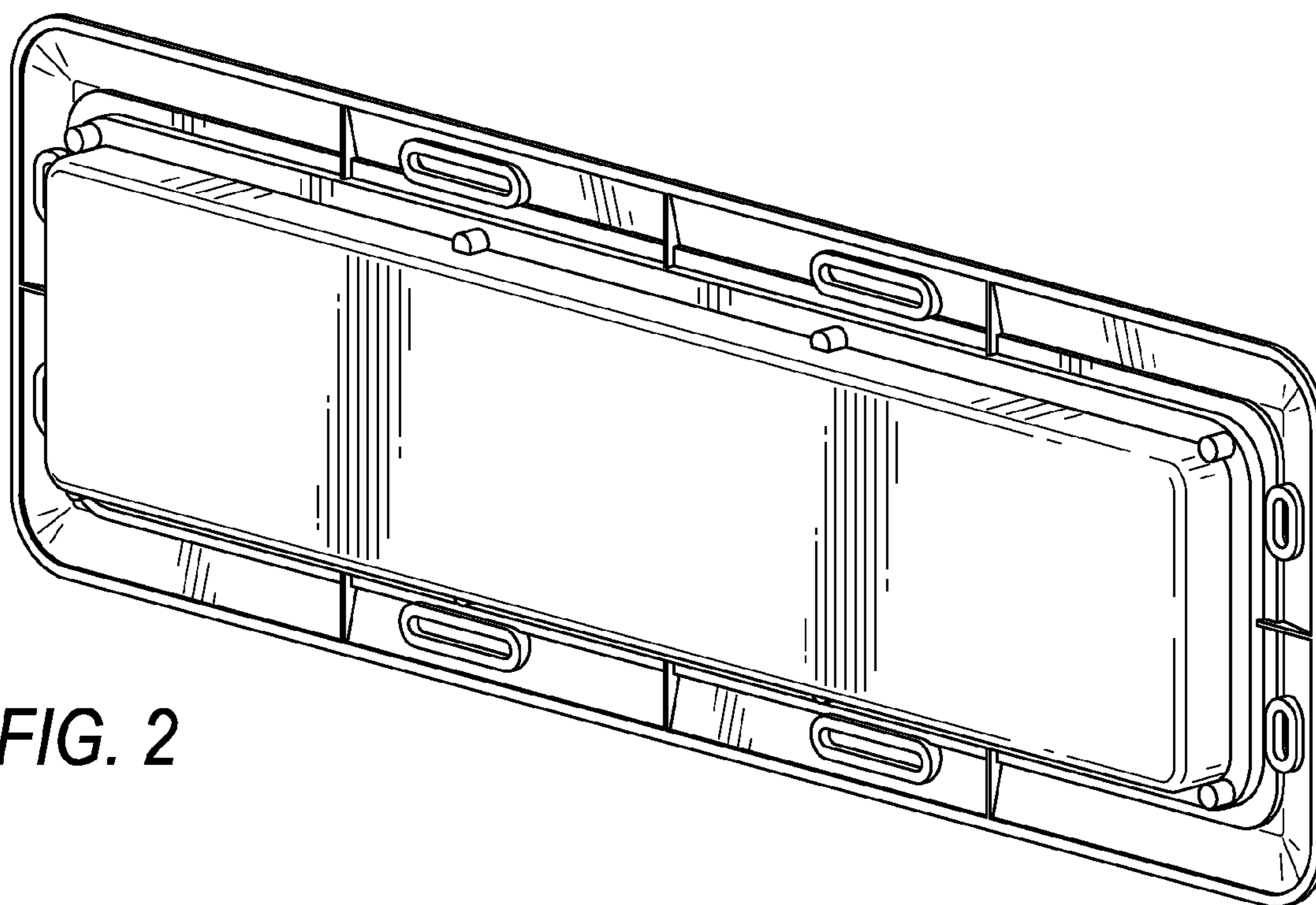


FIG. 2

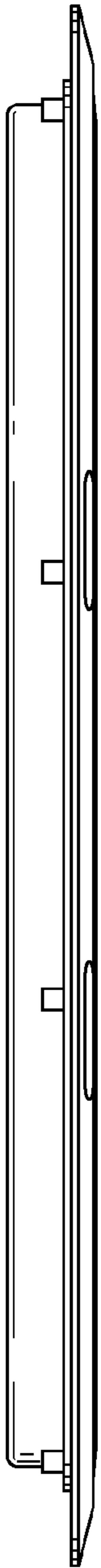


FIG. 3

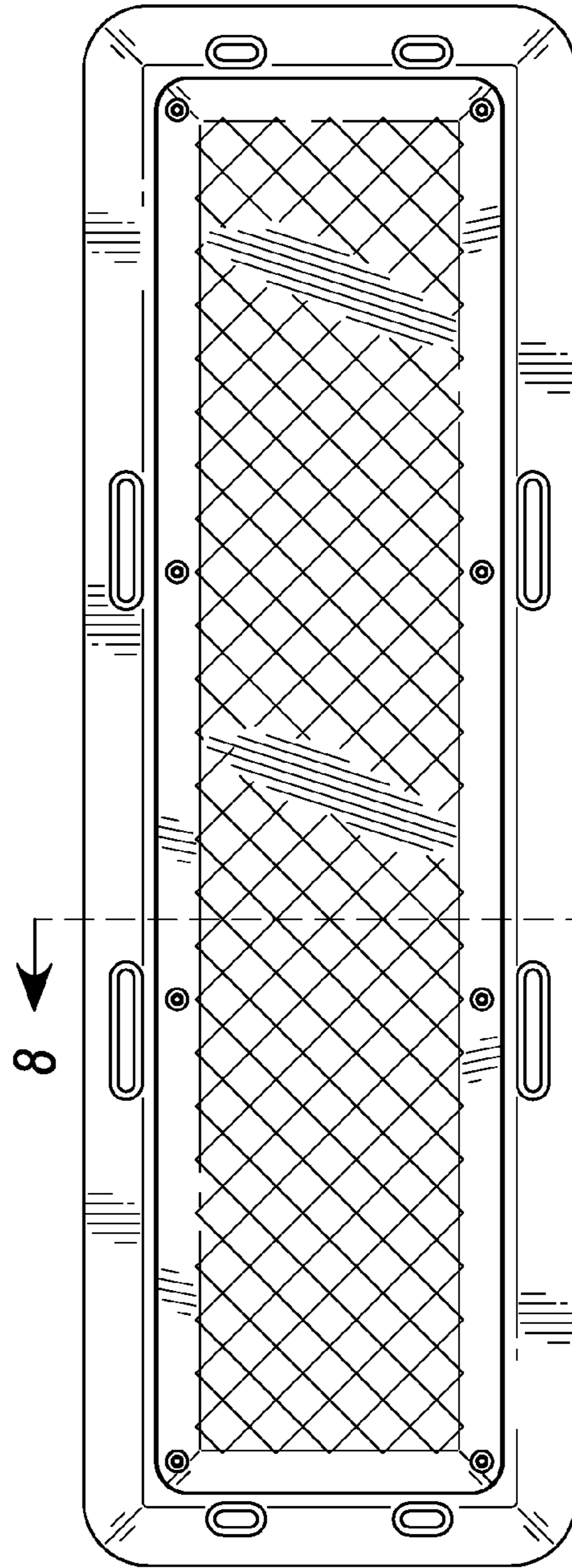


FIG. 4

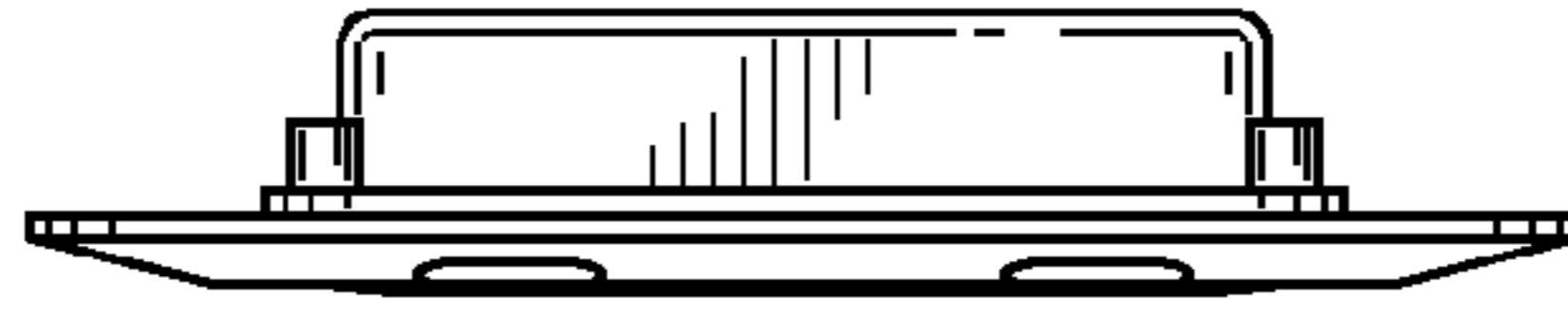


FIG. 6



FIG. 5

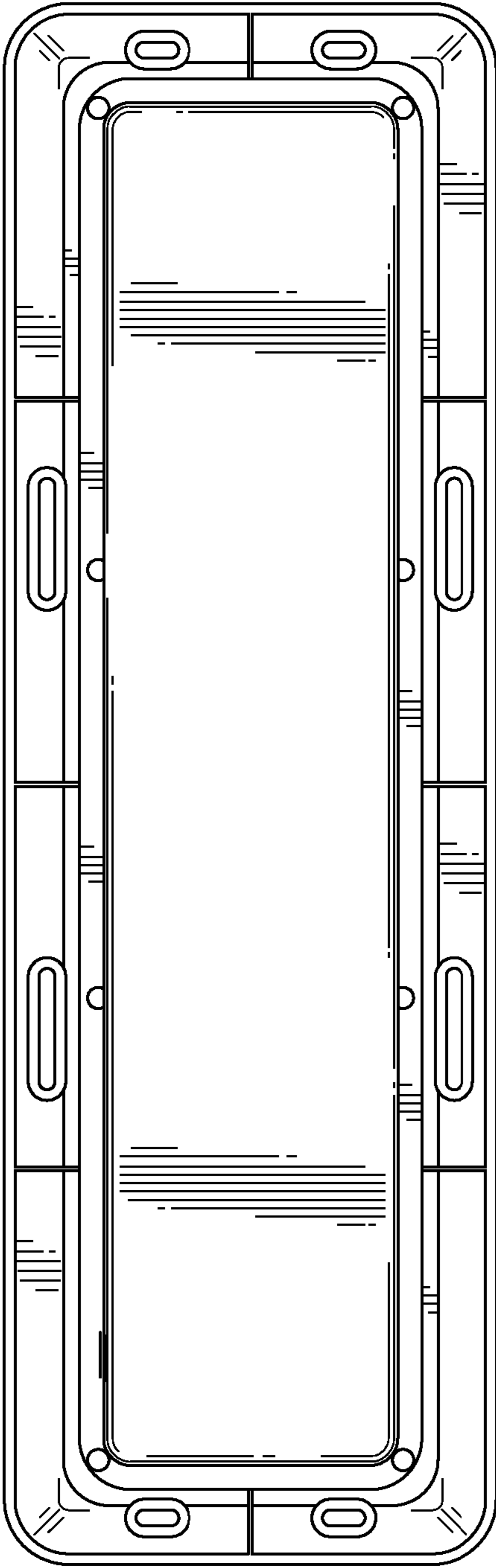


FIG. 7

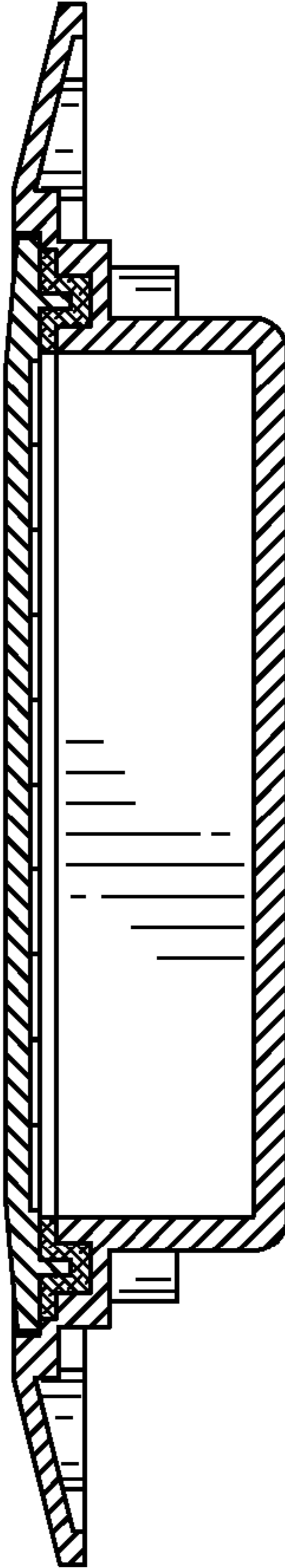


FIG. 8