



US00D646825S

(12) **United States Design Patent**
Tolbert et al.

(10) **Patent No.:** **US D646,825 S**
(45) **Date of Patent:** **** Oct. 11, 2011**

(54) **STREET LIGHT**

(75) Inventors: **William A. Tolbert**, Woodbury, MN (US); **Thomas R. Corrigan**, Saint Paul, MN (US); **Gilles J. B. Benoit**, Minneapolis, MN (US)

(73) Assignee: **3M Innovative Properties Company**, Saint Paul, MN (US)

(**) Term: **14 Years**

(21) Appl. No.: **29/365,353**

(22) Filed: **Jul. 8, 2010**

(51) **LOC (9) Cl.** **26-05**

(52) **U.S. Cl.** **D26/70**

(58) **Field of Classification Search** D26/67, D26/68, 69, 70, 71, 81, 86, 89, 128; 362/145, 362/152, 183, 294, 373, 414, 431, 545, 800, 362/249.02, 249.03, 249.14; D13/102
See application file for complete search history.

(56) **References Cited**

U.S. PATENT DOCUMENTS

1,732,250 A	10/1929	Wehse	
D104,383 S	5/1937	Sibbert	
D108,644 S	3/1938	Holmes	
D111,214 S	9/1938	Petzold	
D132,213 S	4/1942	Miller	
2,298,556 A	10/1942	Foss et al.	
2,299,256 A	10/1942	Schultz	
D162,173 S	2/1951	Julien et al.	
D163,119 S	5/1951	Julien et al.	
D207,551 S *	5/1967	Spaulding et al.	D26/71
D249,385 S	9/1978	Delphia	
4,621,310 A	11/1986	Keating	
D298,059 S	10/1988	Muller	
D326,539 S	5/1992	Ku	
D335,543 S	5/1993	Sessions	
5,383,340 A	1/1995	Larson et al.	
5,720,338 A	2/1998	Larson et al.	
D441,903 S	5/2001	Gilardi	
D444,094 S	6/2001	Boehm	

6,452,217 B1	9/2002	Wojnarowski et al.	
D497,322 S	10/2004	Gruosi-Scheufele	
7,059,391 B2	6/2006	Whitney	
7,129,795 B2	10/2006	Okamura	
D542,696 S	5/2007	Cilluffo	
D548,871 S	8/2007	Almer et al.	
7,306,027 B2	12/2007	Whitney et al.	
D564,691 S *	3/2008	Ertze Encinas et al.	D26/69
D580,585 S	11/2008	Otero	
D583,502 S	12/2008	Schuler	
D584,223 S *	1/2009	Cooper	D13/102
D584,849 S	1/2009	Otero	
D595,645 S *	7/2009	Beghelli	D13/102

(Continued)

OTHER PUBLICATIONS

STR-LWY-2MT Beta LED®, LEDway™ Streetlight—Type II Medium, Rev. Date Jan. 15, 2010, 2 pages.

(Continued)

Primary Examiner — Clare E Heflin

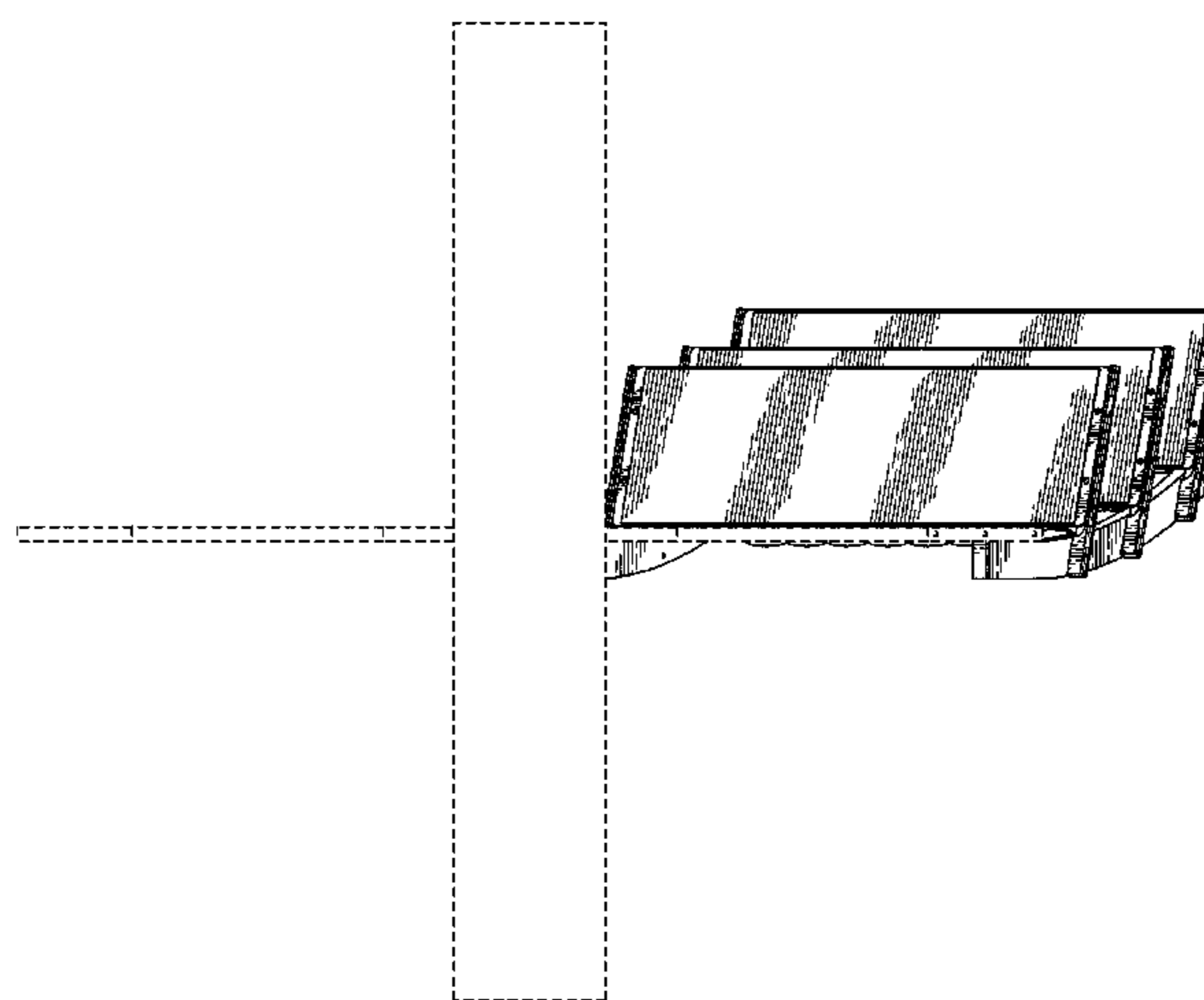
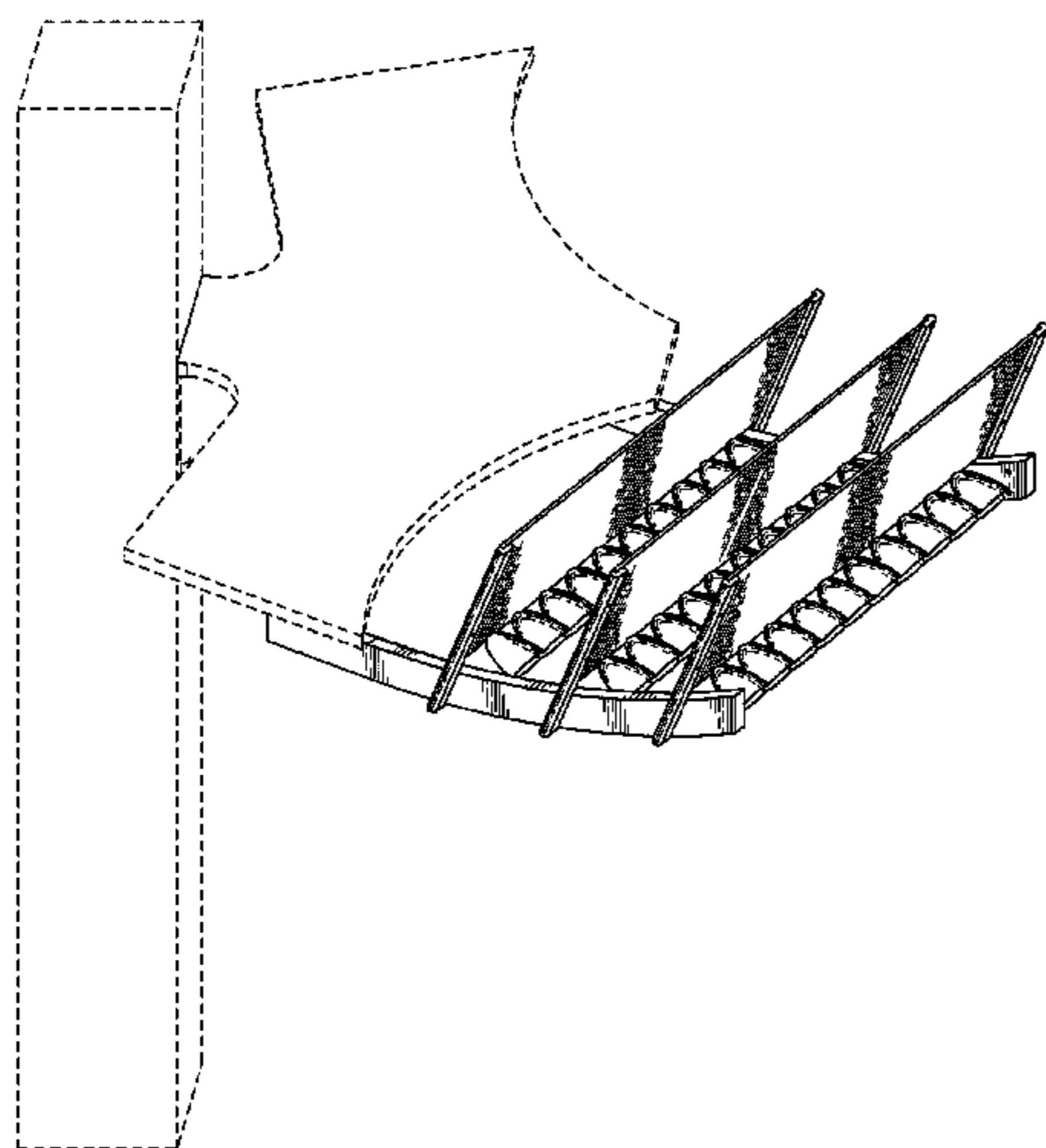
(57) **CLAIM**

The ornamental design for a street light, as shown and described.

DESCRIPTION

FIG. 1 is a first perspective view of the new design for a street light having cooling fins for solid state lighting, the first perspective view looking down at the street light; FIG. 2 is a second perspective view thereof, the second perspective view looking up at the street light; FIG. 3 is a front view thereof; FIG. 4 is a rear view thereof; FIG. 5 is a right view thereof; FIG. 6 is a left view thereof; FIG. 7 is a bottom view thereof; and, FIG. 8 is a top view thereof. Broken lines are used to show a mounting structure, such as a bracket and pole, that forms no part of the claimed design.

1 Claim, 8 Drawing Sheets



US D646,825 S

Page 2

U.S. PATENT DOCUMENTS

D609,837 S * 2/2010 Zheng D26/70
D621,986 S * 8/2010 Yan D26/69
D621,987 S * 8/2010 Tsai et al. D26/69
D622,432 S * 8/2010 Yan D26/69
D622,886 S * 8/2010 Zheng et al. D26/69
7,806,577 B2 * 10/2010 Van As et al. 362/555
D631,004 S * 1/2011 Johnson D13/102
2007/0091622 A1 4/2007 Huang et al.
2008/0219007 A1 9/2008 Heffington et al.

2009/0103288 A1 4/2009 Boyer et al.
2009/0262533 A1 * 10/2009 Liu et al. 362/249.02
2010/0038660 A1 2/2010 Shuja

OTHER PUBLICATIONS

Streetworks™, Cooper Lighting, Feb. 19, 2010, 2 pages.
LEOTEK, SLN Series—LED Outdoor Luminaires, Jun. 2009, 2 pages.

* cited by examiner

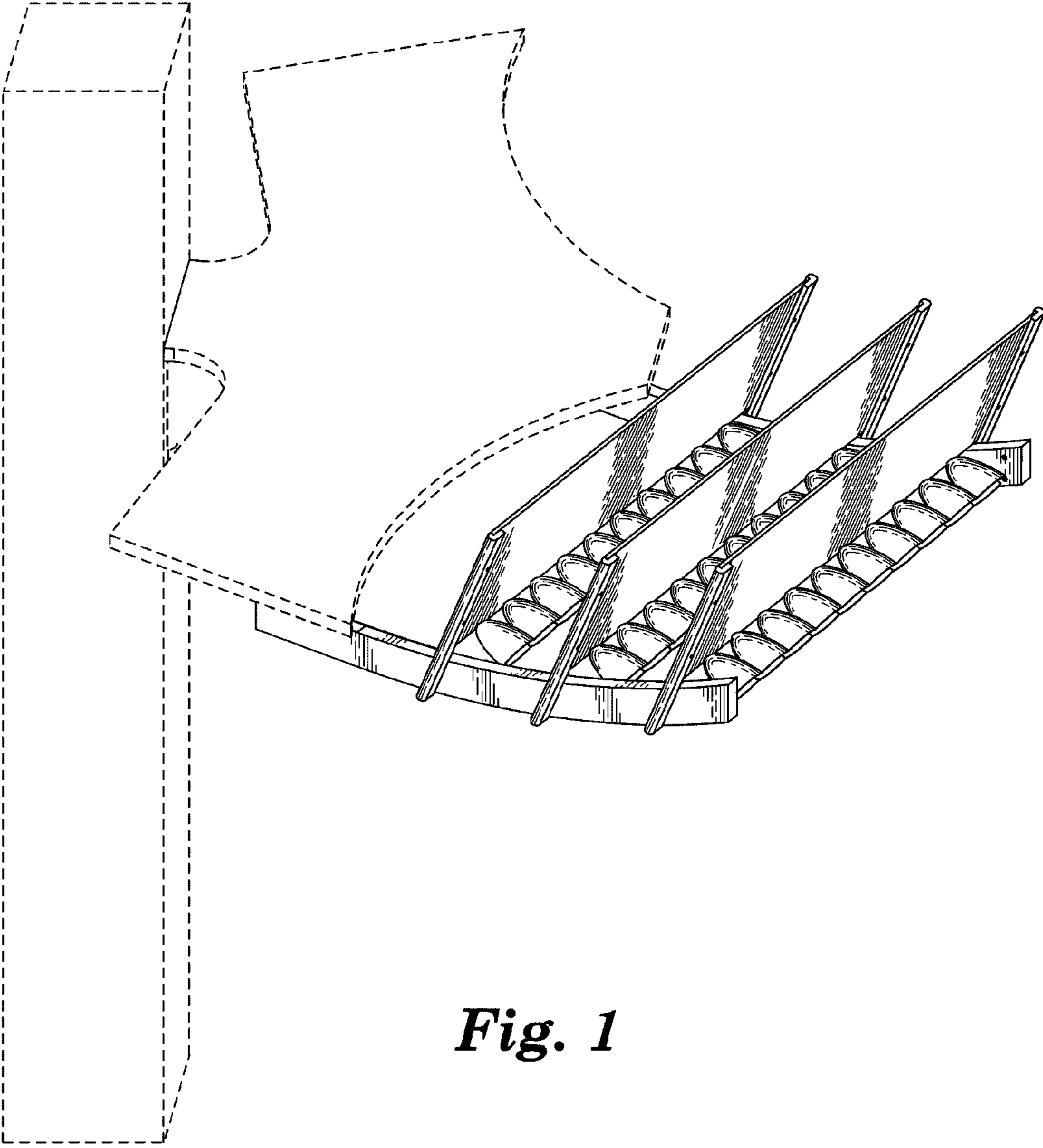


Fig. 1

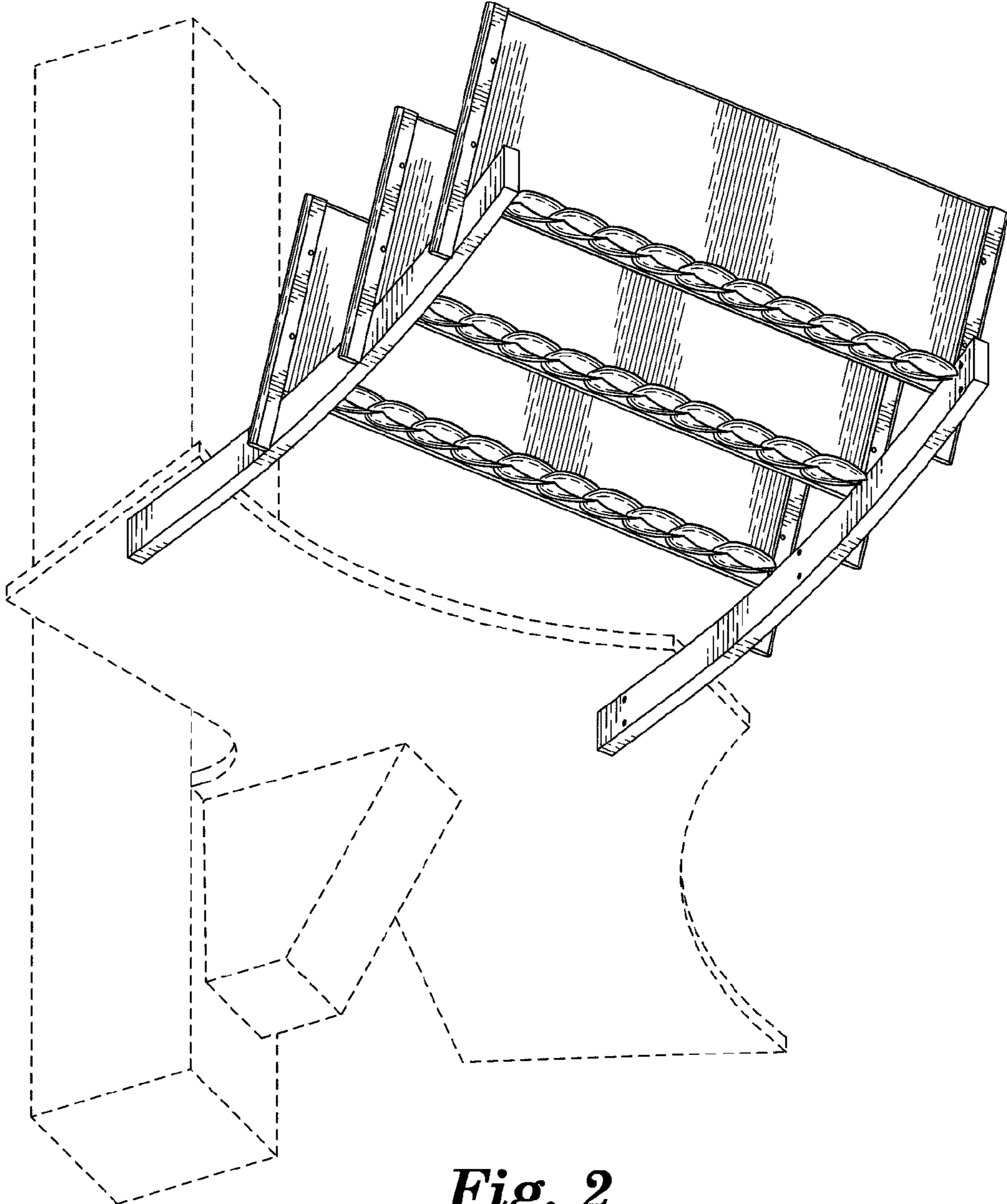


Fig. 2

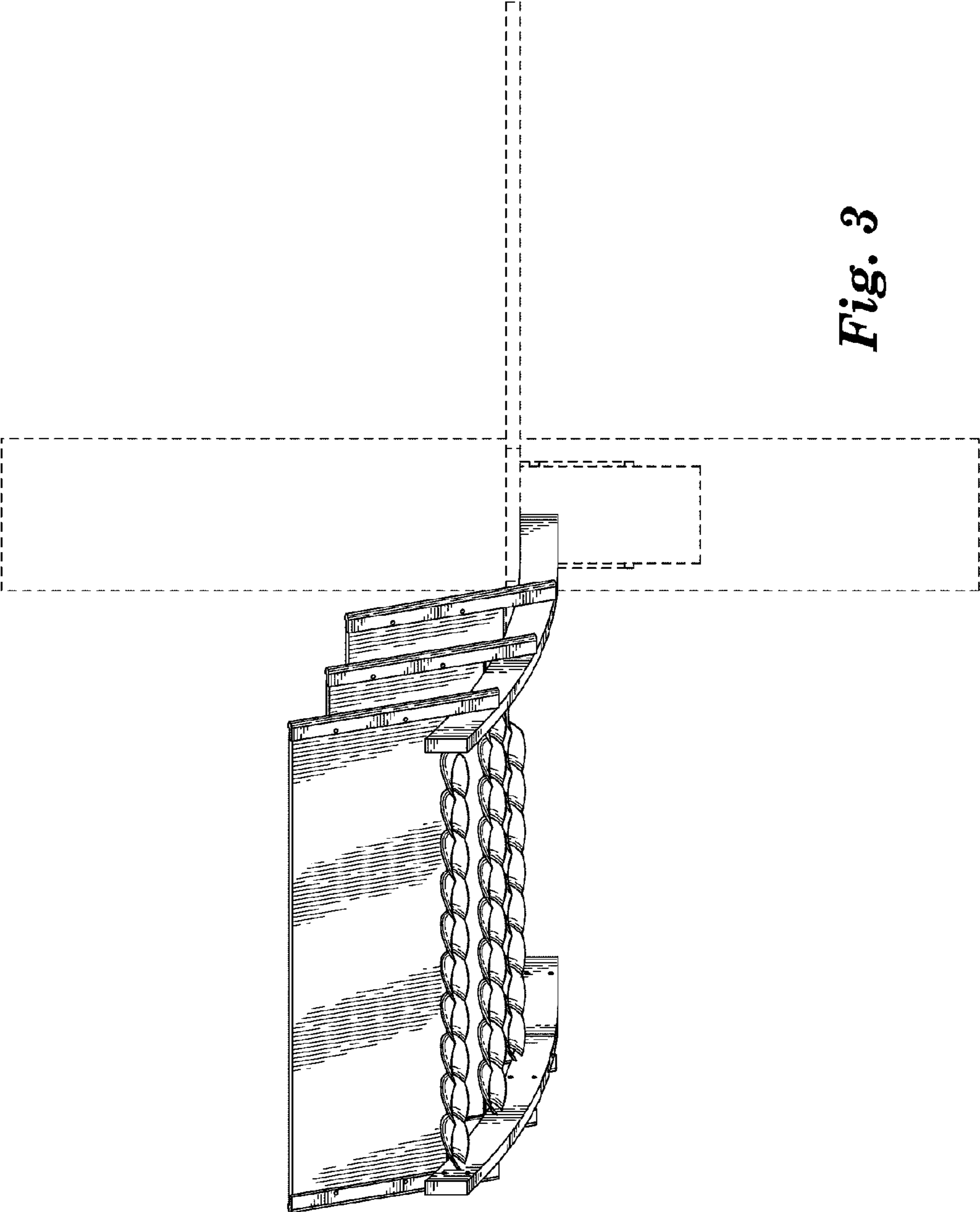


Fig. 3

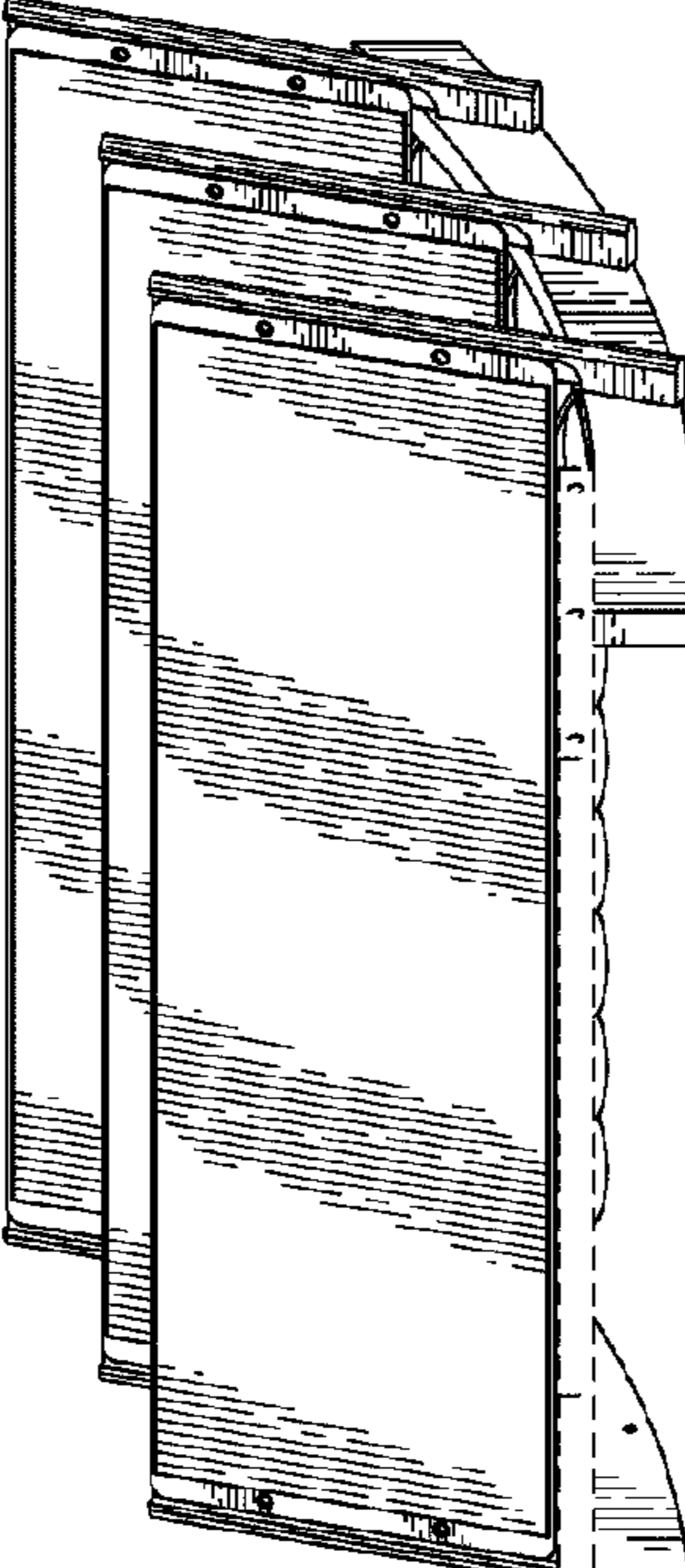
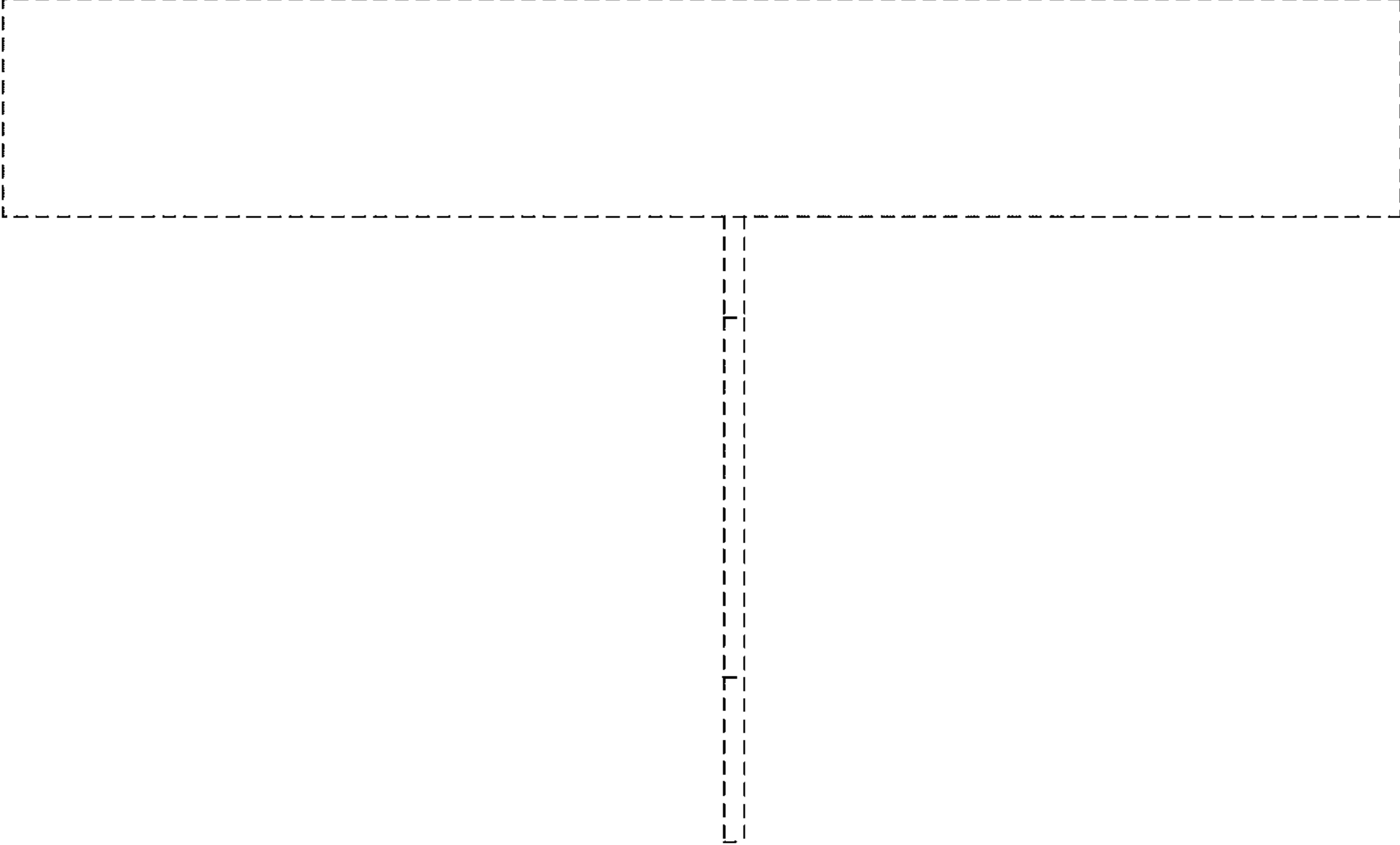


Fig. 4



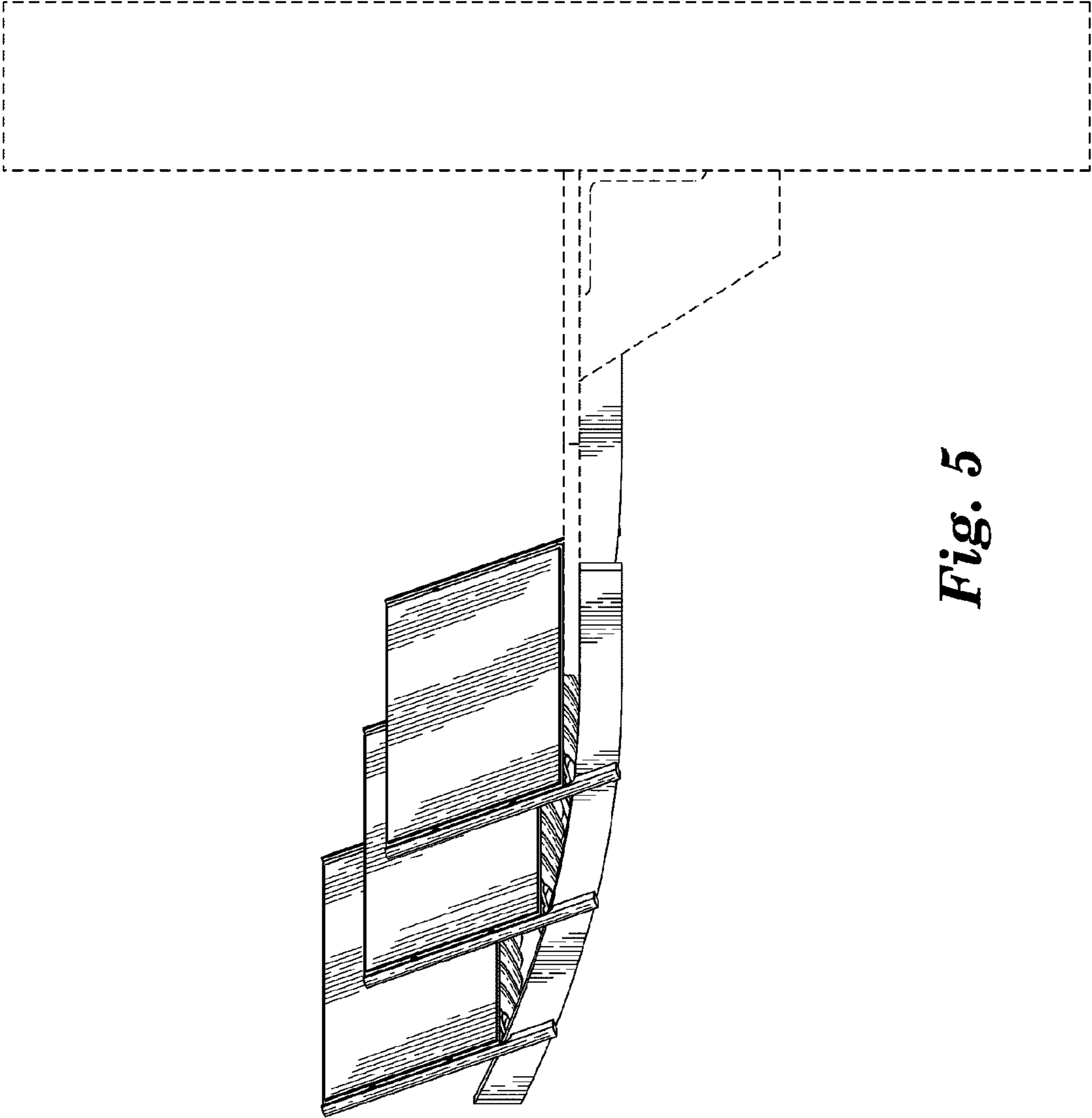


Fig. 5

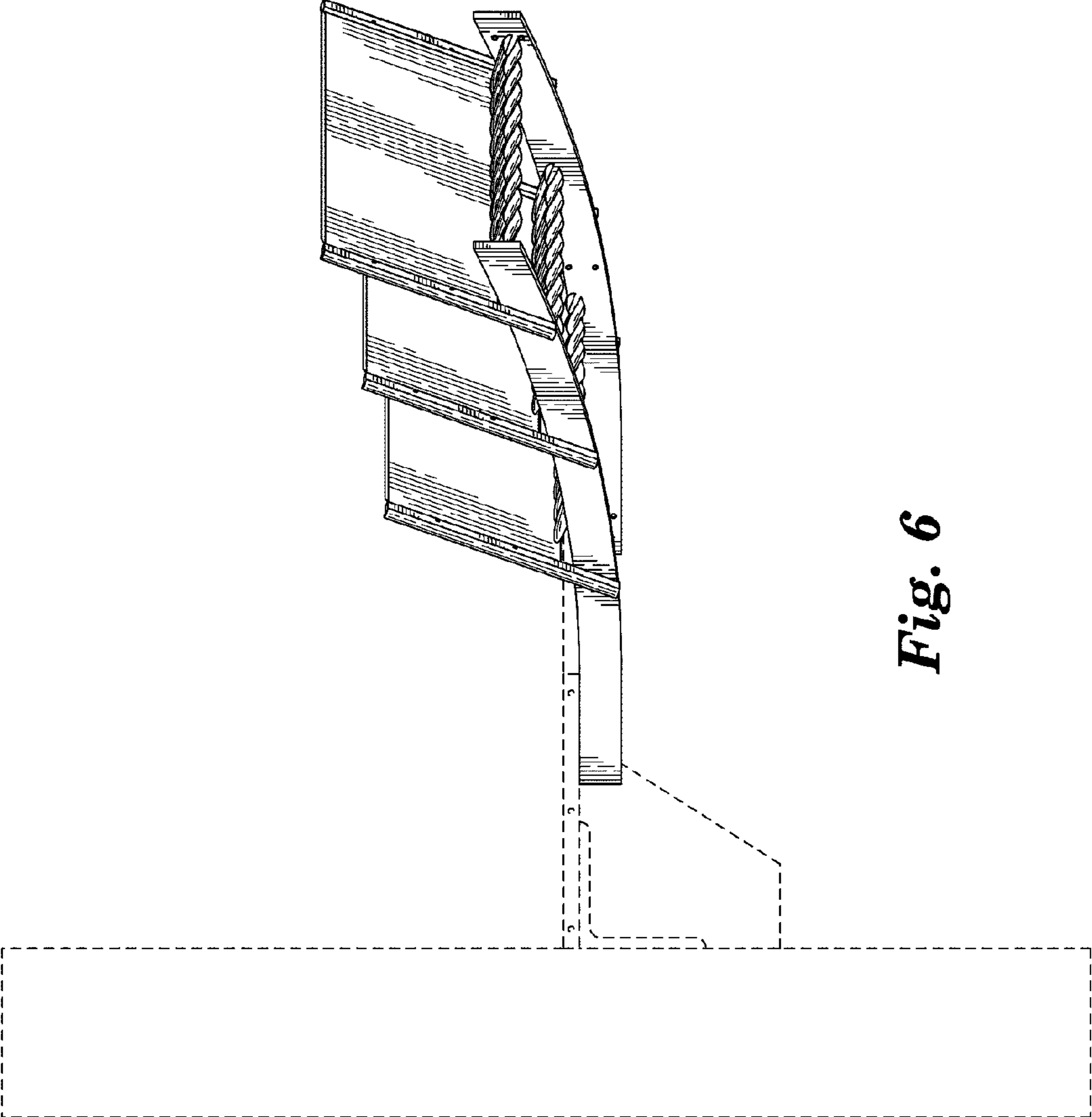


Fig. 6

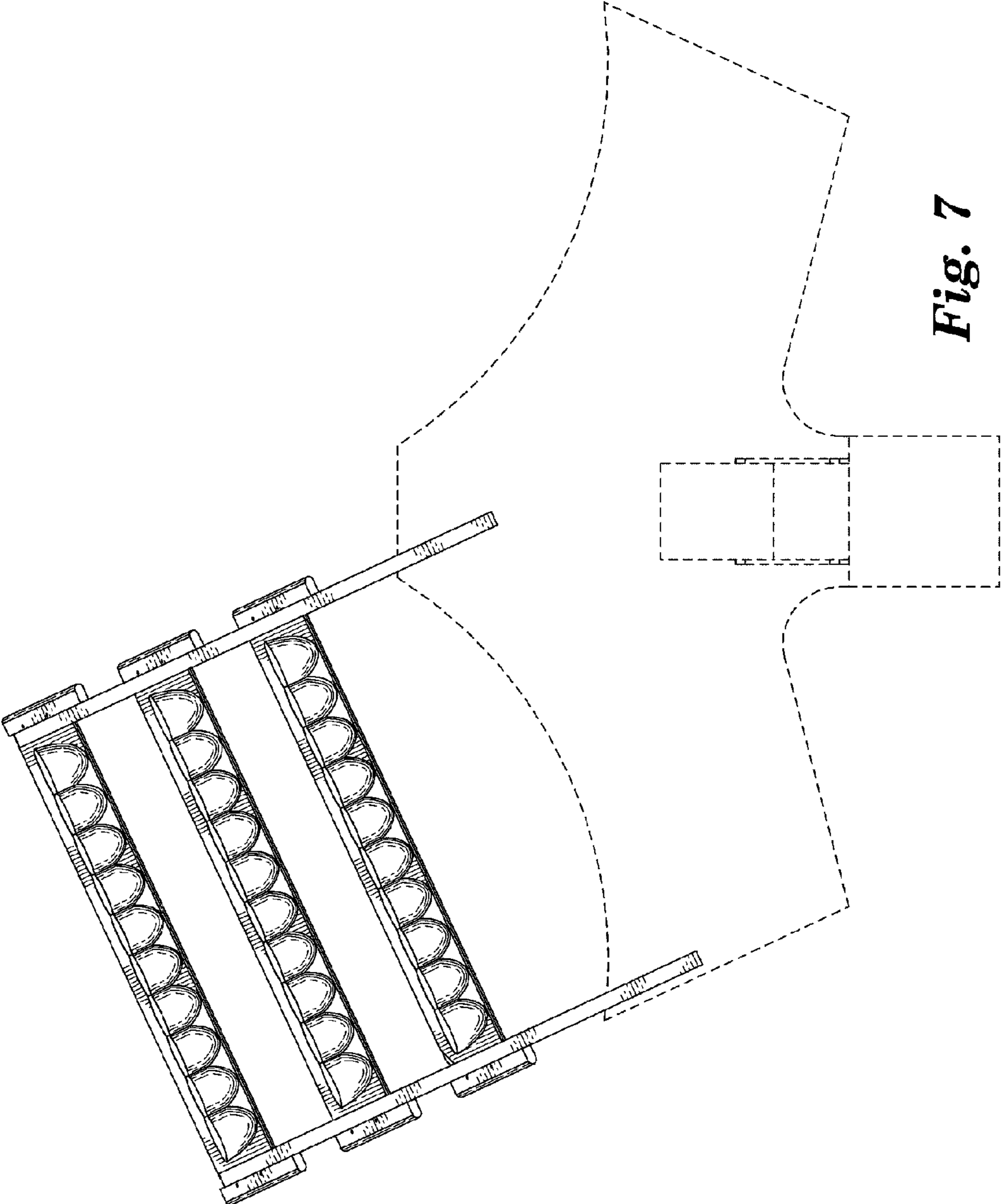


Fig. 7

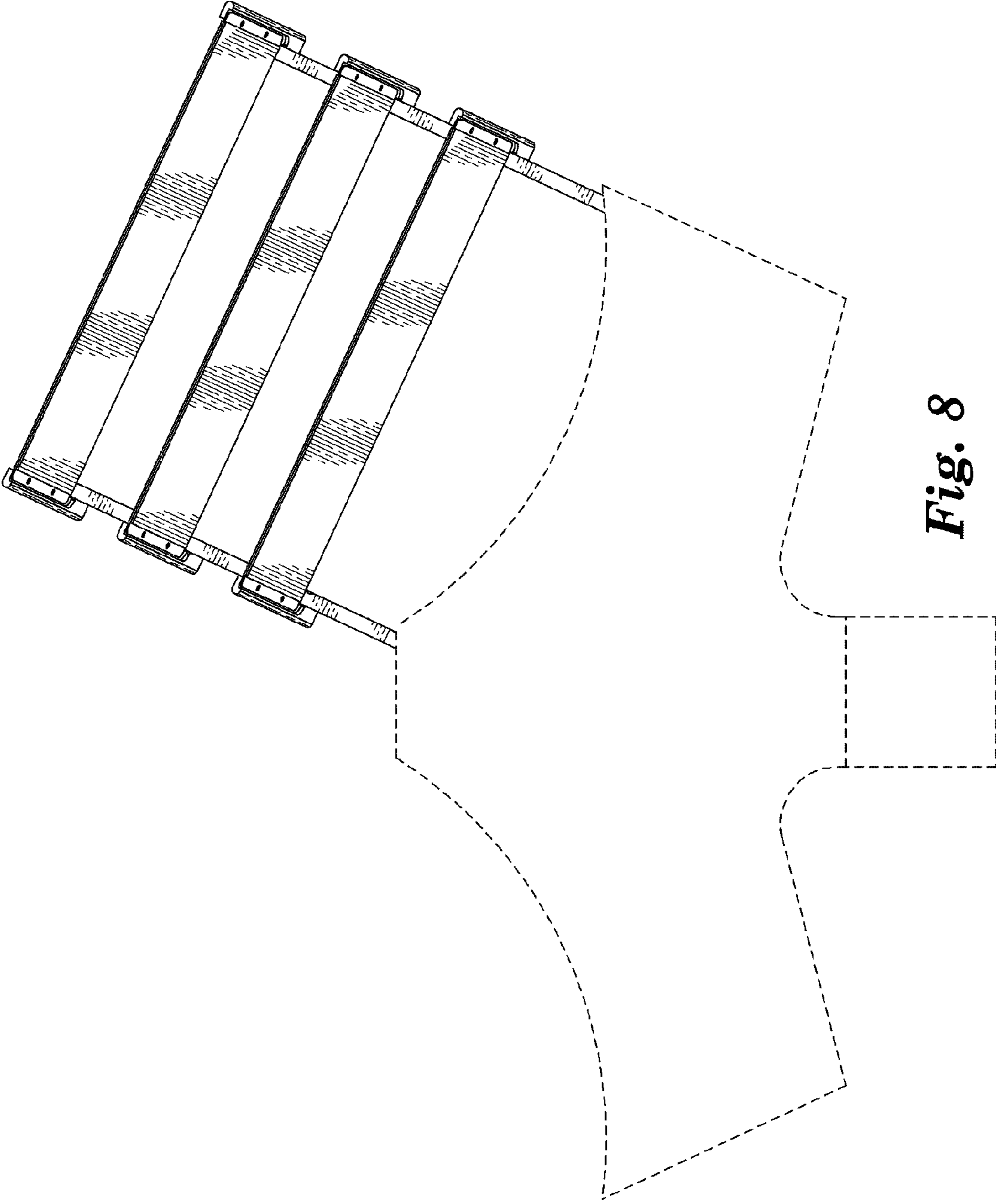


Fig. 8