



US00D646823S

(12) **United States Design Patent**
Yamada

(10) **Patent No.:** **US D646,823 S**

(45) **Date of Patent:** **** Oct. 11, 2011**

(54) **SPOTLIGHT**

(75) Inventor: **Hirokazu Yamada**, Kanagawa (JP)

(73) Assignees: **Toshiba Lighting & Technology Corporation**, Kanagawa (JP);
Kabushiki Kaisha Toshiba, Tokyo (JP)

(**) Term: **14 Years**

(21) Appl. No.: **29/386,646**

(22) Filed: **Mar. 3, 2011**

(30) **Foreign Application Priority Data**

Sep. 21, 2010 (JP) 2010-022619

(51) **LOC (9) Cl.** **26-05**

(52) **U.S. Cl.** **D26/63**

(58) **Field of Classification Search** D26/61-66,
D26/72, 80, 81, 83-91, 93, 104, 118, 102;
362/145, 147, 148, 227, 232, 235-239, 249.02,
362/249.03, 249.07, 249.1, 249.11, 257,
362/267-270, 277, 278, 285, 287, 311.02,
362/319, 432, 404, 418, 800, 640, 647, 648,
362/653, 311.13, 806, 282, 311.01

See application file for complete search history.

(56) **References Cited**

U.S. PATENT DOCUMENTS

D374,496 S * 10/1996 Small et al. D26/63
D493,243 S * 7/2004 Burnet D26/63
D586,491 S * 2/2009 Levine D26/63
7,845,827 B2 * 12/2010 Tarter et al. 362/247
D637,751 S * 5/2011 Chiu D26/63

* cited by examiner

Primary Examiner — Susan M Lee

Assistant Examiner — Linda G. Brooks

(74) *Attorney, Agent, or Firm* — J.C. Patents

(57) **CLAIM**

The ornamental design for a spotlight, as shown and described.

DESCRIPTION

FIG. 1 is a perspective view of a spotlight showing my new design;

FIG. 2 is a front view thereof;

FIG. 3 is a rear view thereof;

FIG. 4 is a right side view thereof, the left side view being a mirror image of the right side view;

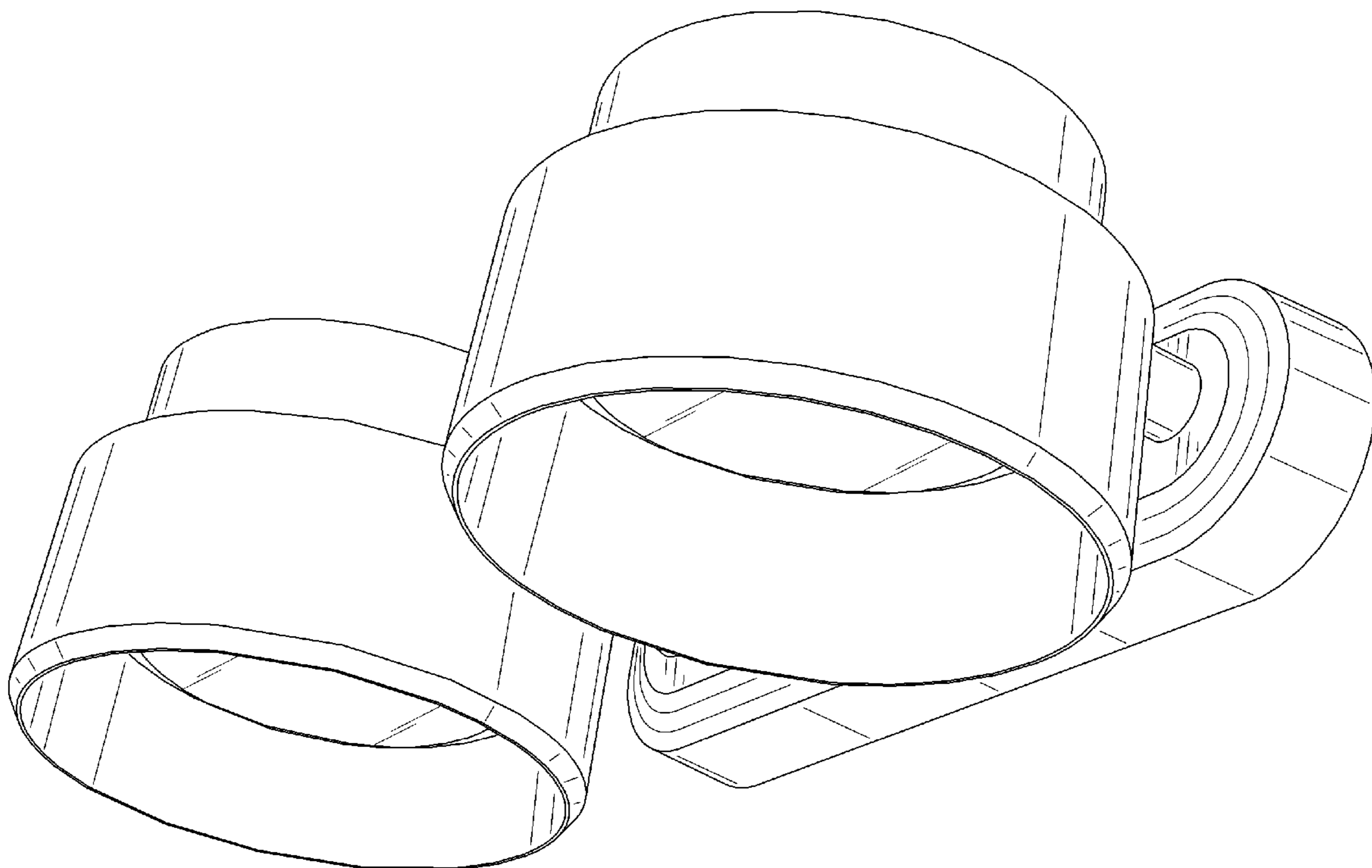
FIG. 5 is a top view thereof;

FIG. 6 is a bottom view thereof; and,

FIG. 7 is an enlarged cross-sectional view taken along line 7-7 in FIG. 2.

The portion shown in double cross-hatched lines in FIG. 7 is pervious to light.

1 Claim, 7 Drawing Sheets



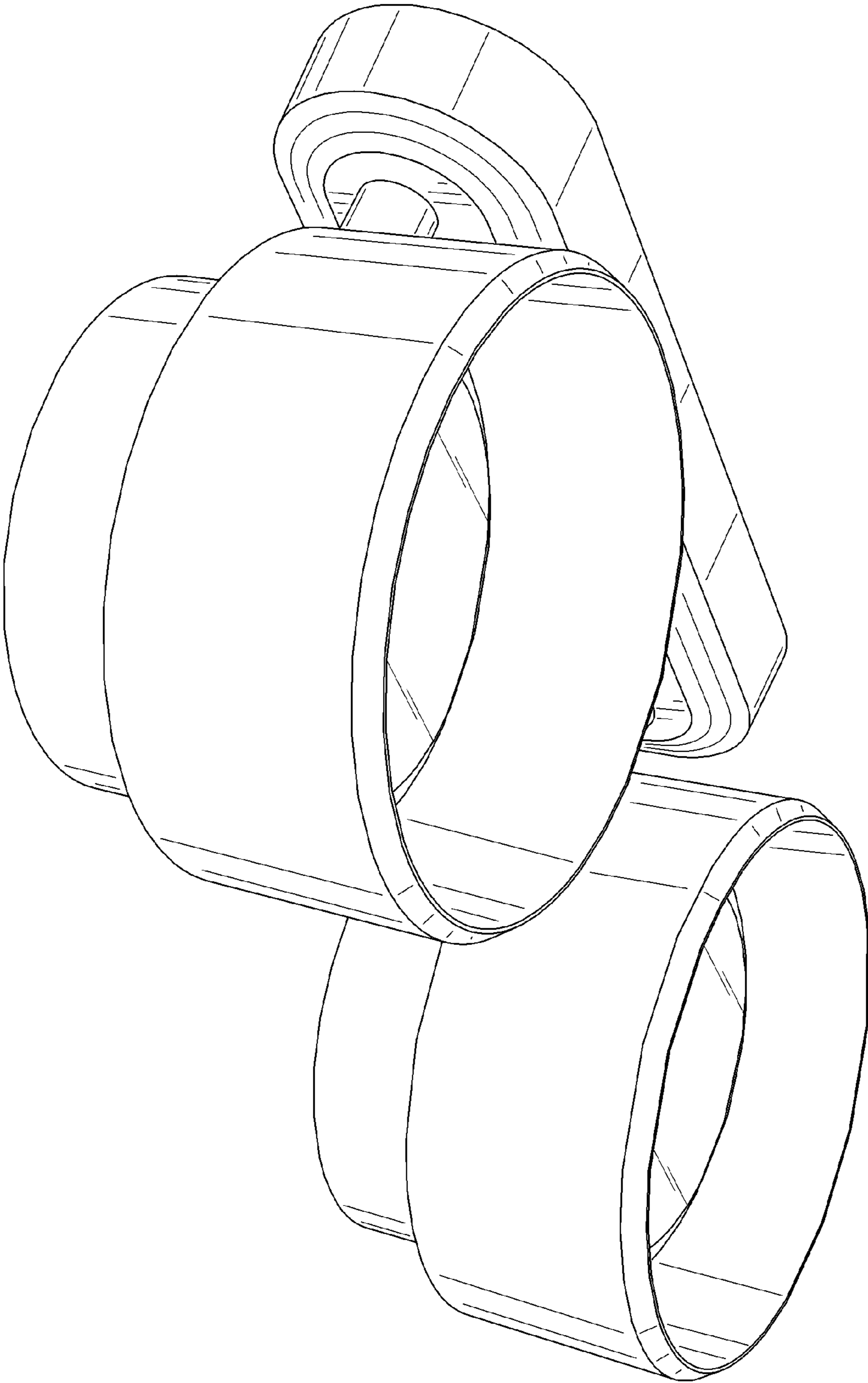


FIG. 1

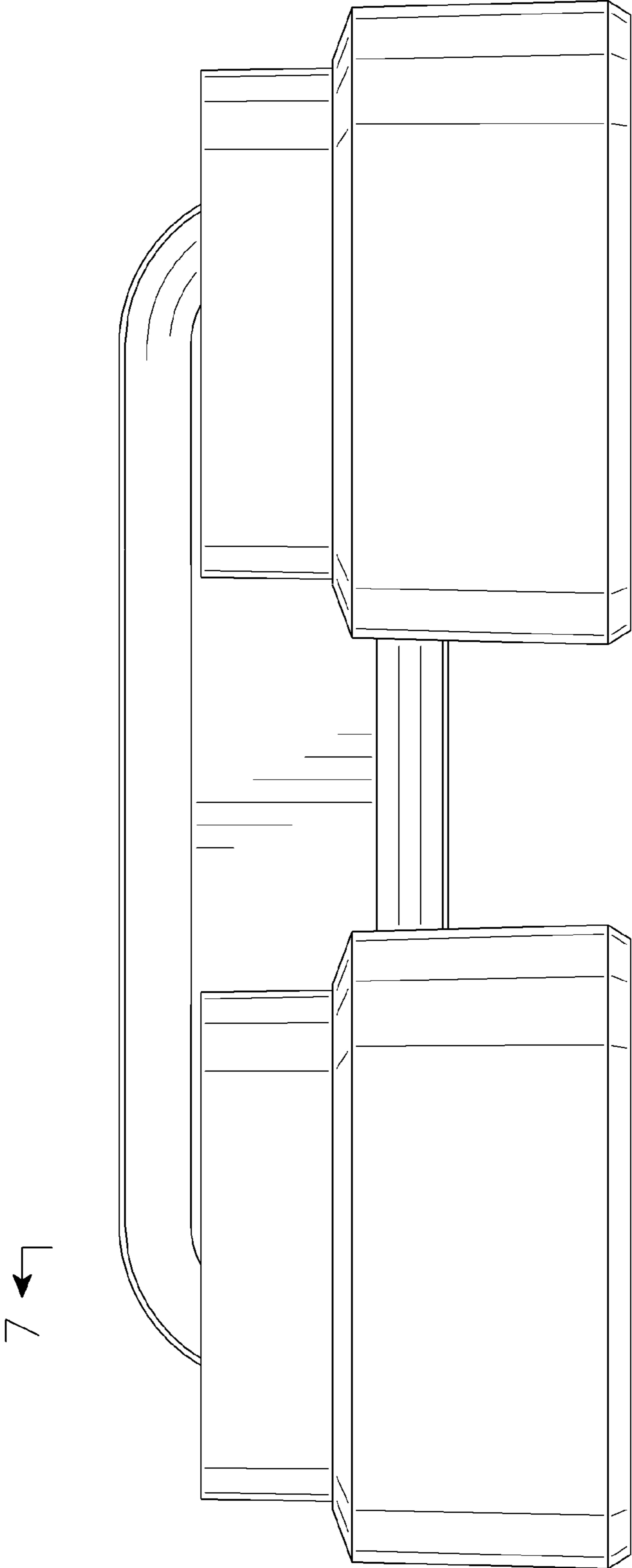


FIG. 2

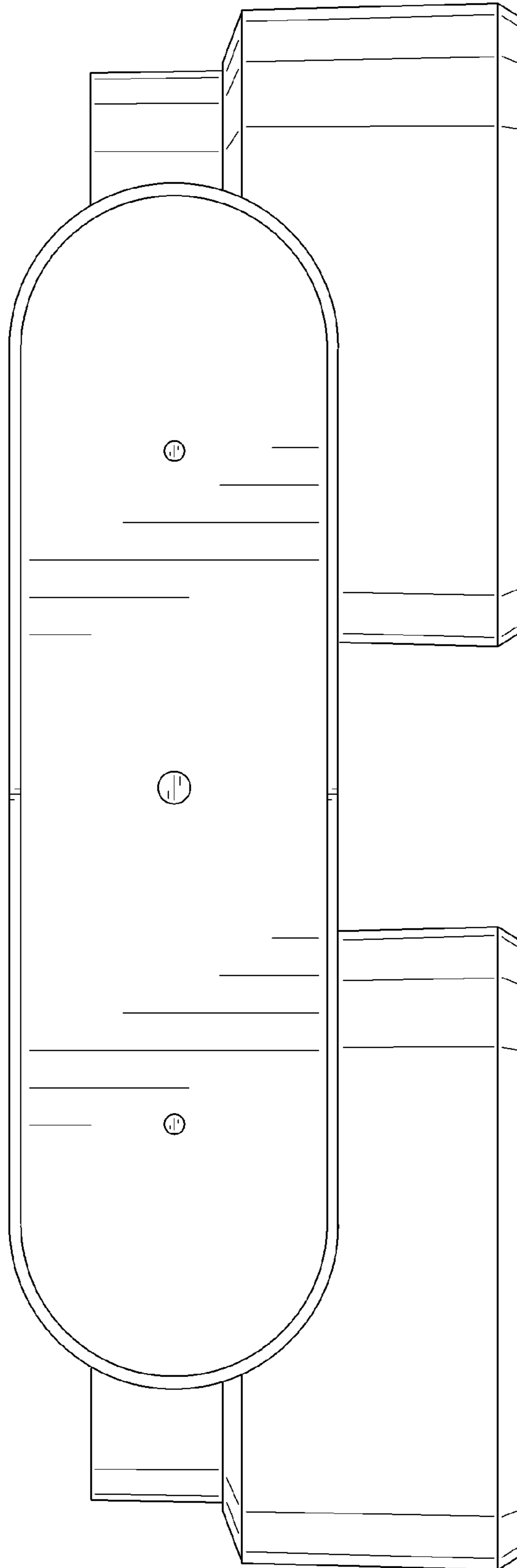


FIG. 3

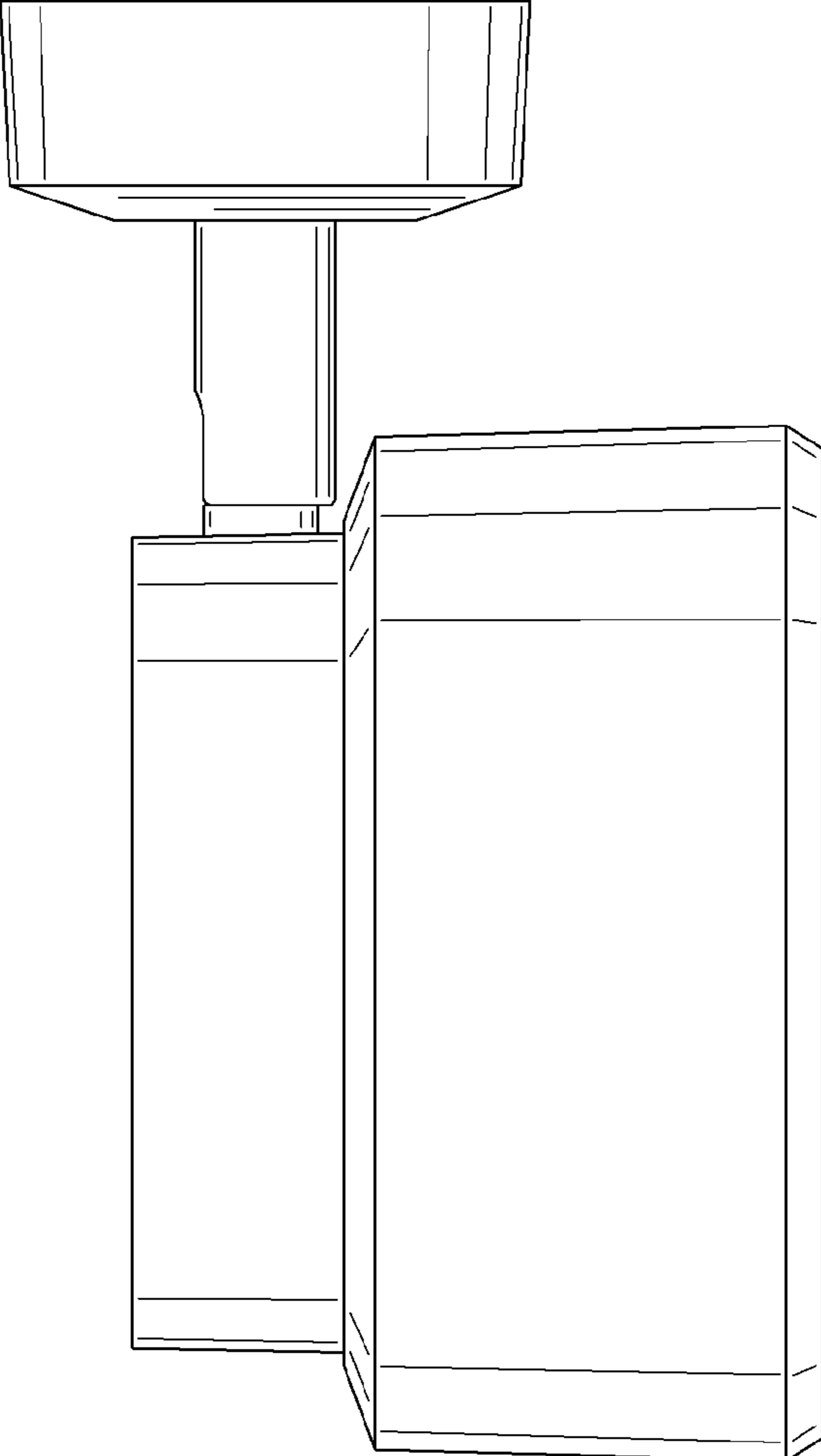


FIG. 4

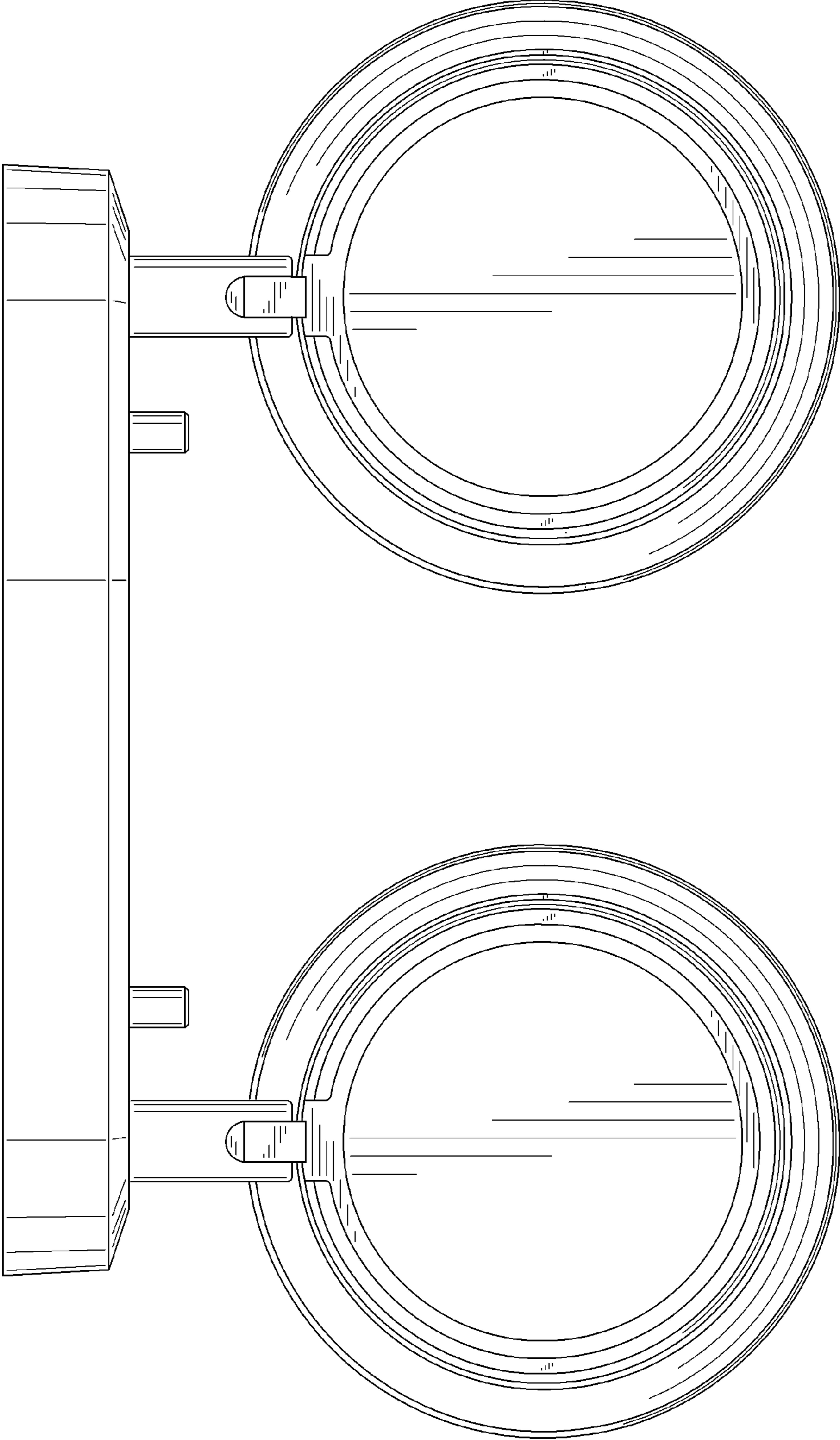


FIG. 5

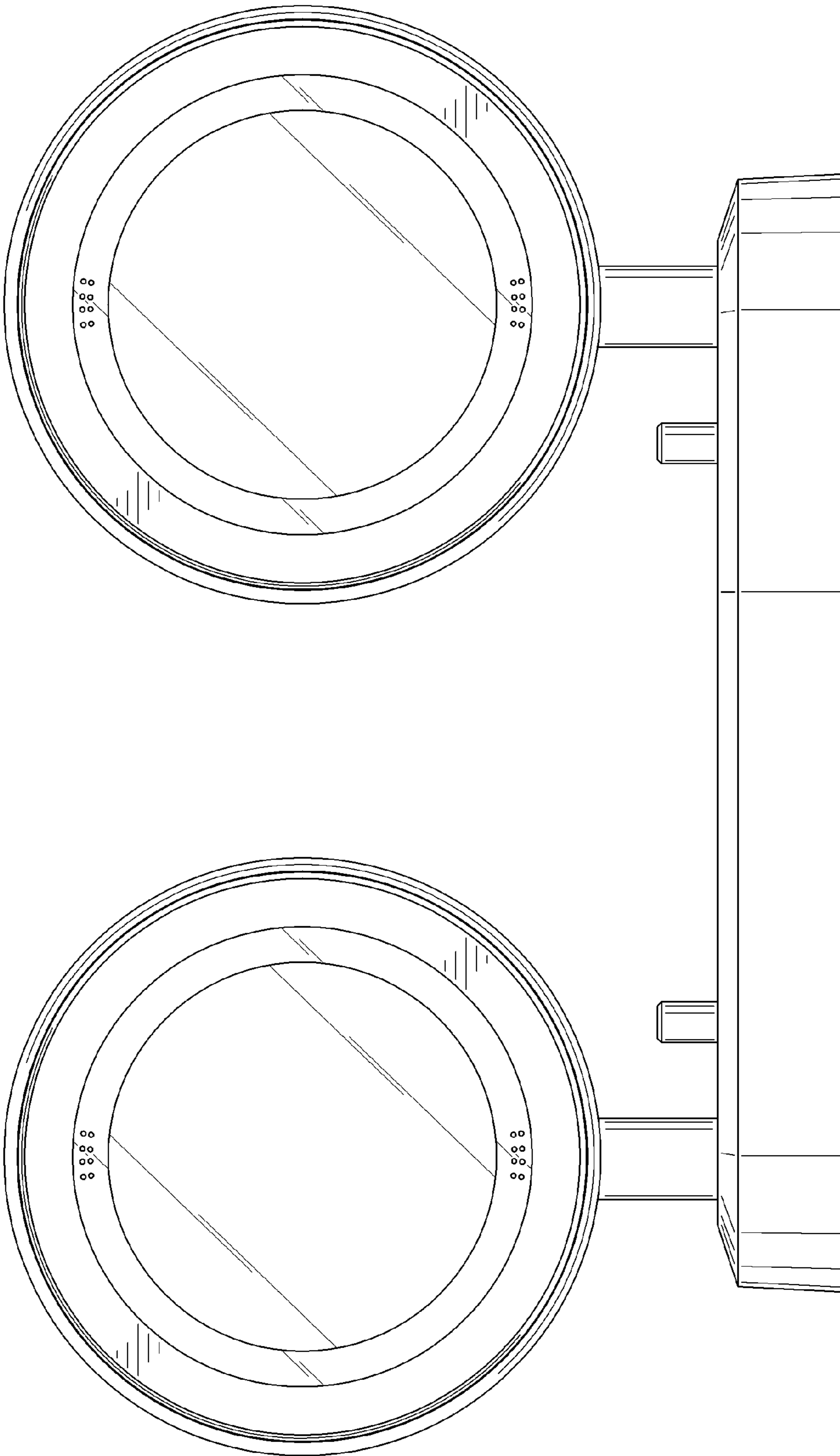


FIG. 6

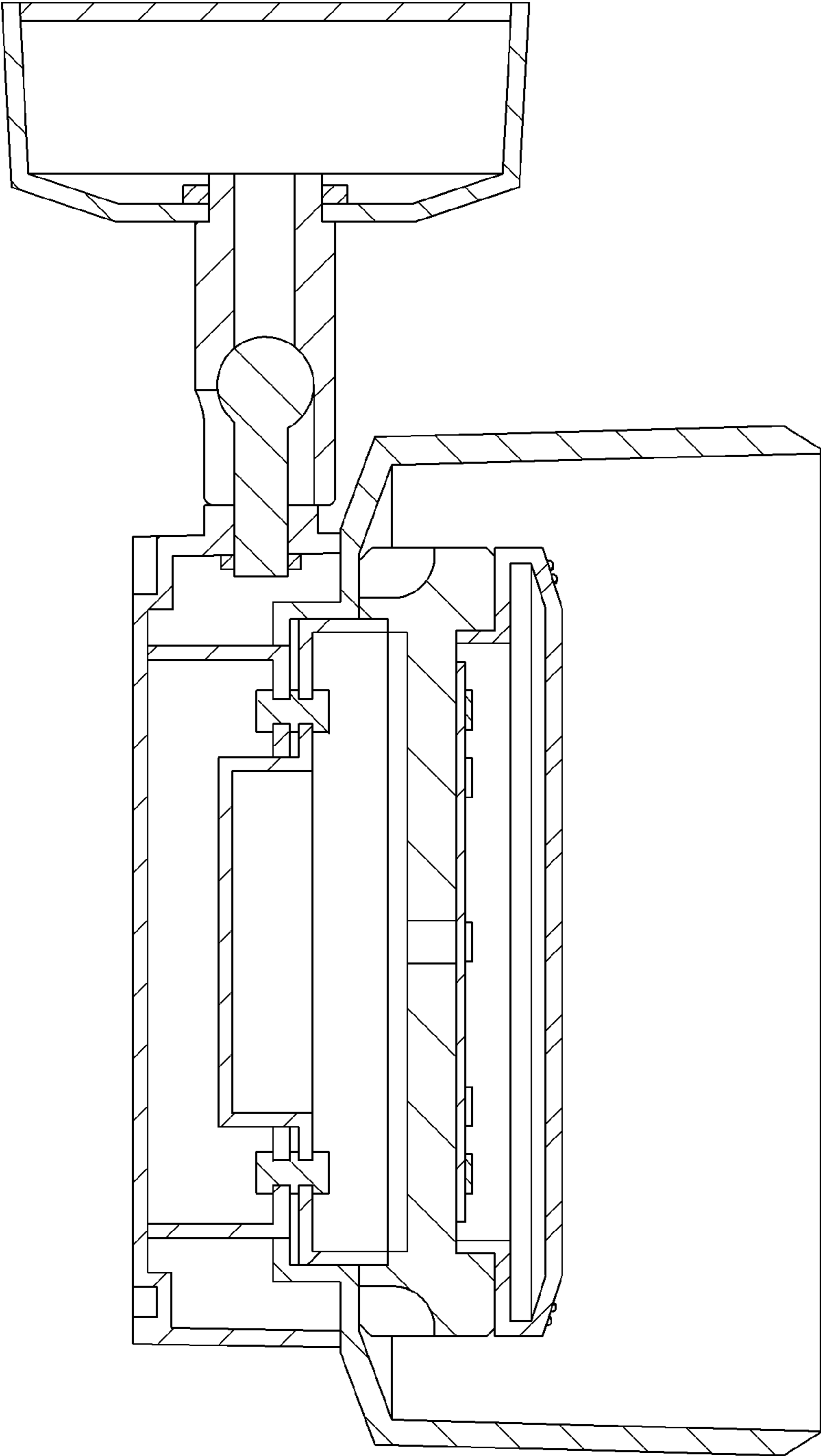


FIG. 7