



US00D646822S

(12) **United States Design Patent**  
**Johannessen et al.**

(10) **Patent No.:** **US D646,822 S**

(45) **Date of Patent:** **\*\* Oct. 11, 2011**

(54) **SPOTLIGHT**

(75) Inventors: **Nils G. Johannessen**, Westmere (NZ);  
**Melissa C. Bornholdt**, Onehunga (NZ)

(73) Assignee: **Actuant Corporation**, Butler, WI (US)

(\*\*) Term: **14 Years**

(21) Appl. No.: **29/383,541**

(22) Filed: **Jan. 19, 2011**

(51) **LOC (9) Cl.** ..... **26-05**

(52) **U.S. Cl.** ..... **D26/63; D14/371**

(58) **Field of Classification Search** ..... D26/60-66,  
D26/94, 51, 104, 106; D14/336, 337, 371;  
362/33, 145, 157, 158, 187, 188, 190, 257,  
362/267, 269, 270, 277, 282, 285, 287, 288,  
362/310, 311.06, 311.13, 319, 322, 372,  
362/413, 414, 418, 253, 427, 449, 430, 806  
See application file for complete search history.

(56) **References Cited**

U.S. PATENT DOCUMENTS

D300,864 S *	4/1989	Titmarsh	.....	D26/63
D307,640 S *	5/1990	Titmarsh	.....	D26/63
D320,462 S *	10/1991	Williams et al.	.....	D26/28
D322,136 S *	12/1991	Shima et al.	.....	D26/28
D327,953 S *	7/1992	Jordan	.....	D26/28

D351,243 S *	10/1994	Williams et al.	.....	D26/28
D420,458 S *	2/2000	Guercio	.....	D26/63
D443,269 S *	6/2001	Massaro et al.	.....	D14/371
D515,228 S *	2/2006	Gebhard et al.	.....	D26/28
D575,424 S *	8/2008	Gebhard et al.	.....	D26/28
D582,084 S *	12/2008	Gebhard et al.	.....	D26/28

\* cited by examiner

*Primary Examiner* — Susan M Lee

*Assistant Examiner* — Linda G. Brooks

(74) *Attorney, Agent, or Firm* — Quarles & Brady LLP

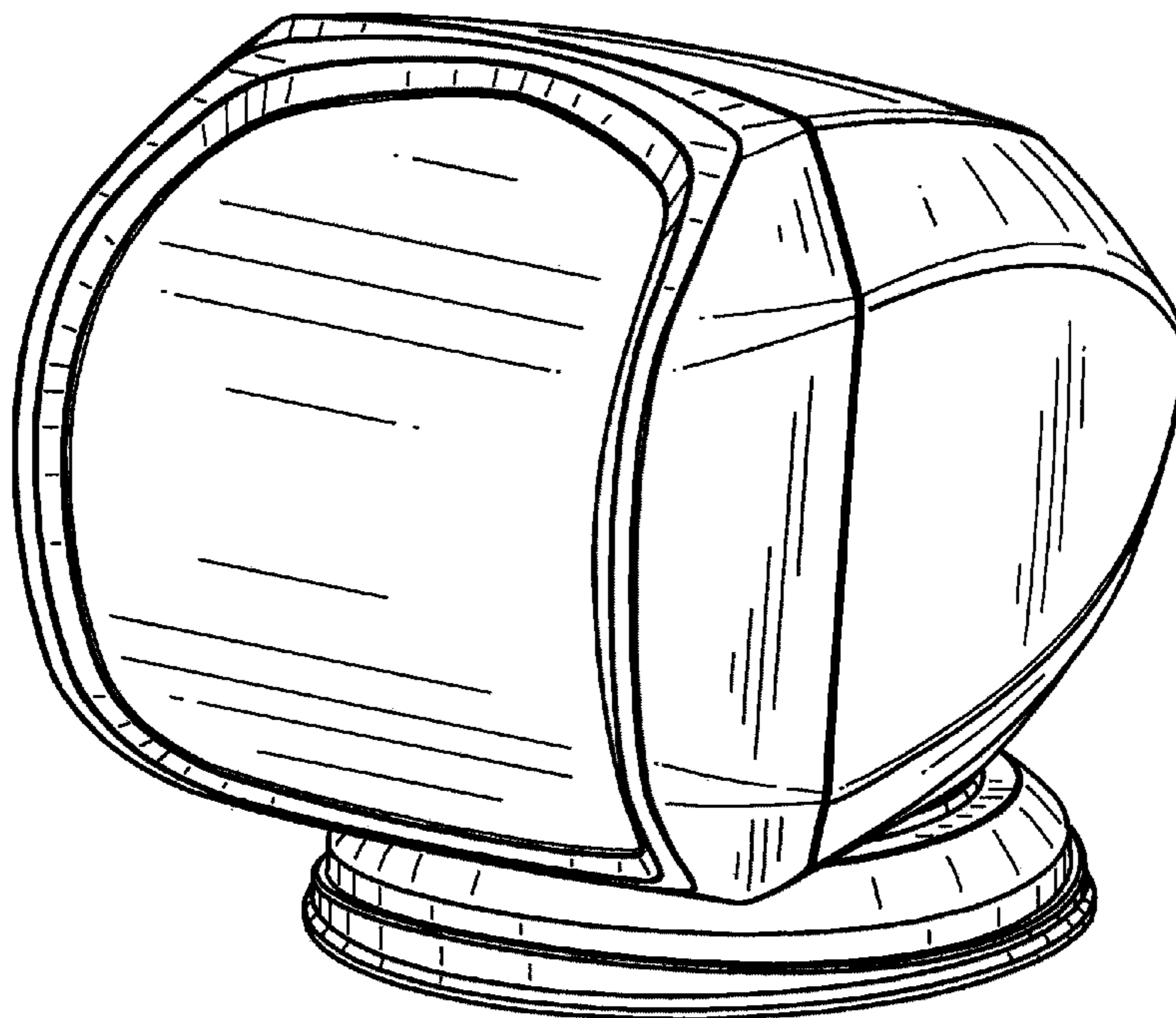
(57) **CLAIM**

The ornamental design for a spotlight, as shown and described.

**DESCRIPTION**

FIG. 1 is a front perspective view of a spotlight showing my new design;  
FIG. 2 is a front elevational view thereof;  
FIG. 3 is a left side elevational view thereof;  
FIG. 4 is a rear elevational view thereof;  
FIG. 5 is a top elevational view thereof; and,  
FIG. 6 is a bottom elevational view thereof.  
The broken line representations of portions of the spotlight in FIG. 6 are shown for illustrative purposes only and form no part of the claimed design.

**1 Claim, 4 Drawing Sheets**



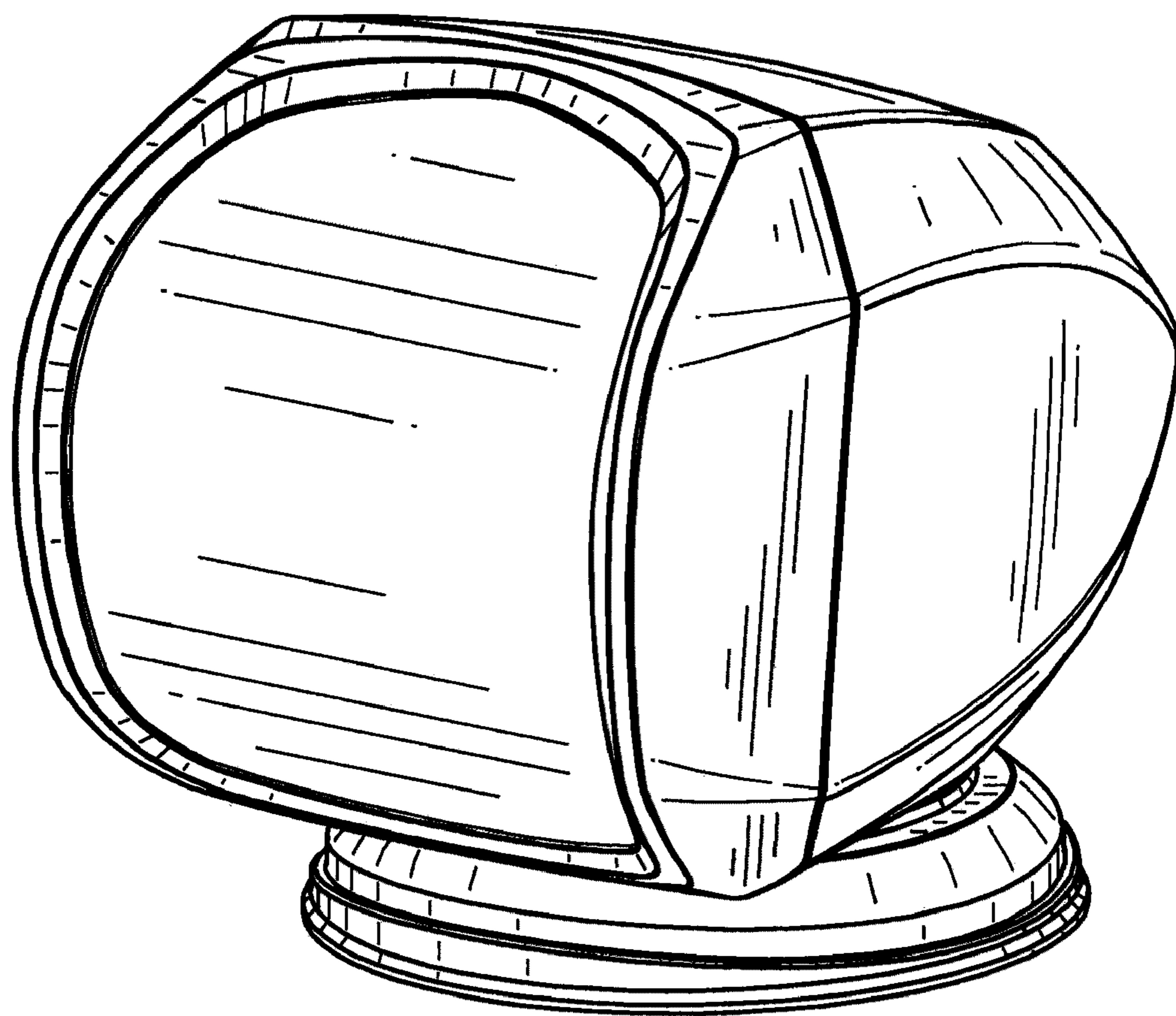


FIG. 1

FIG. 2

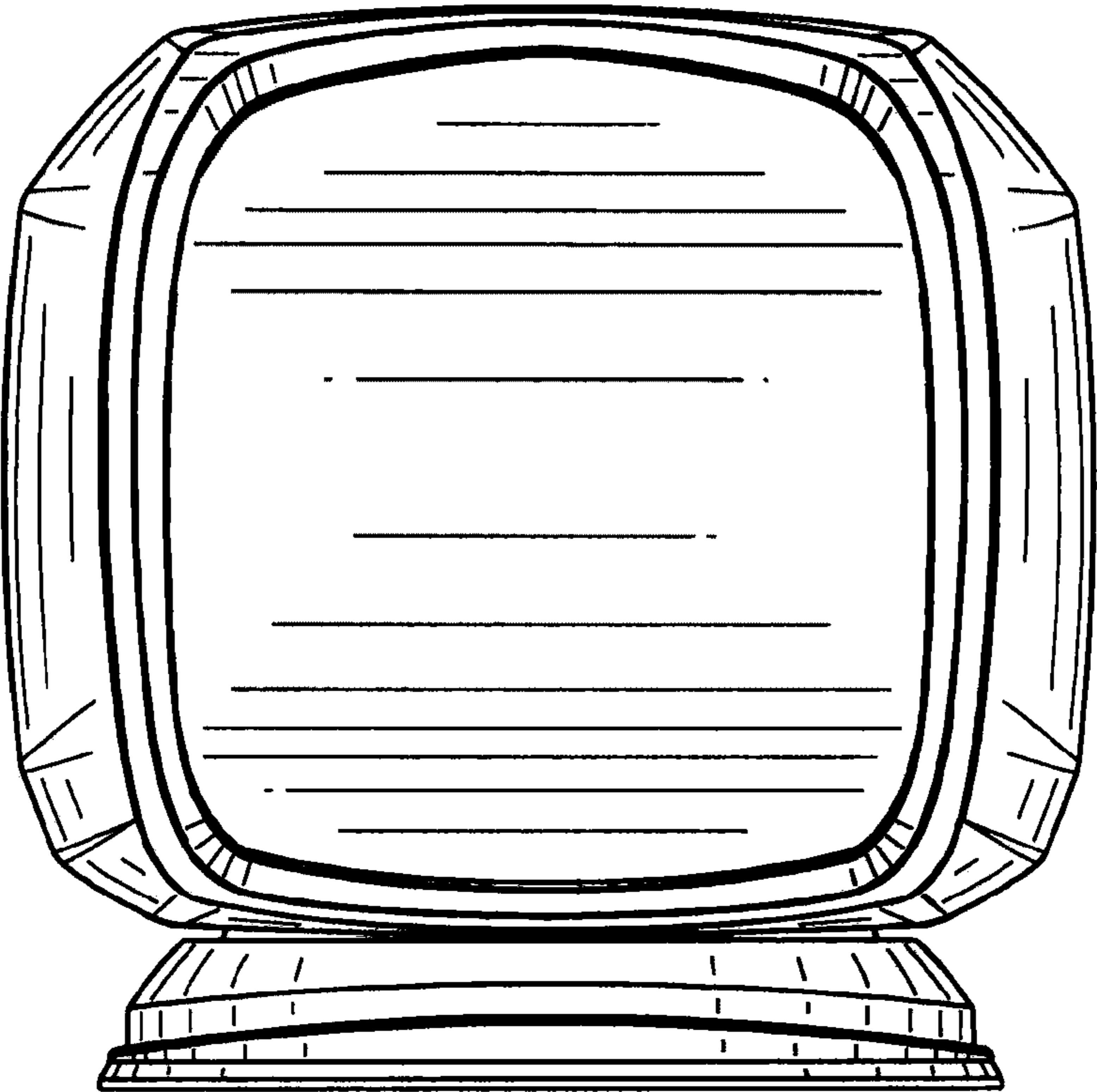


FIG. 3

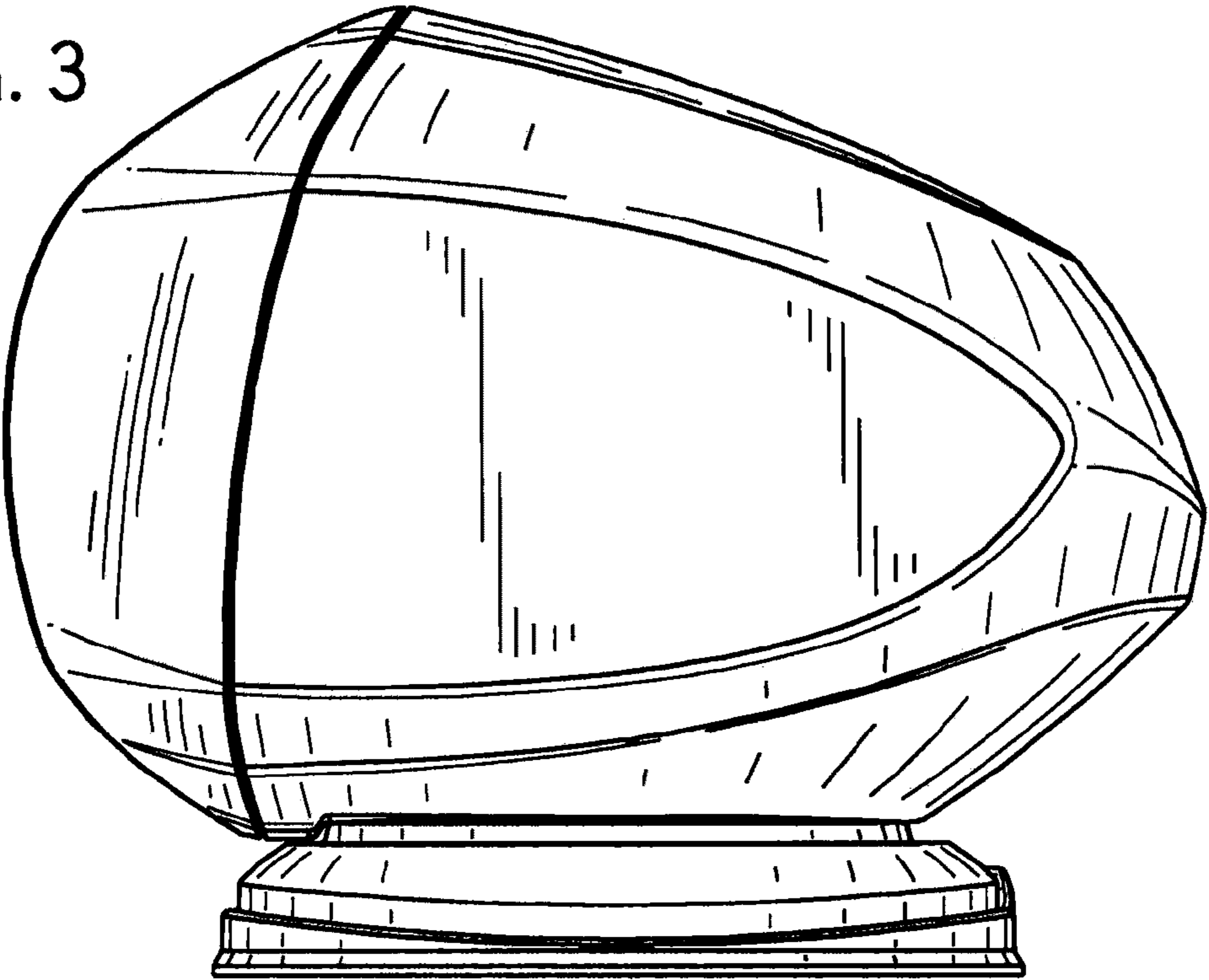


FIG. 4

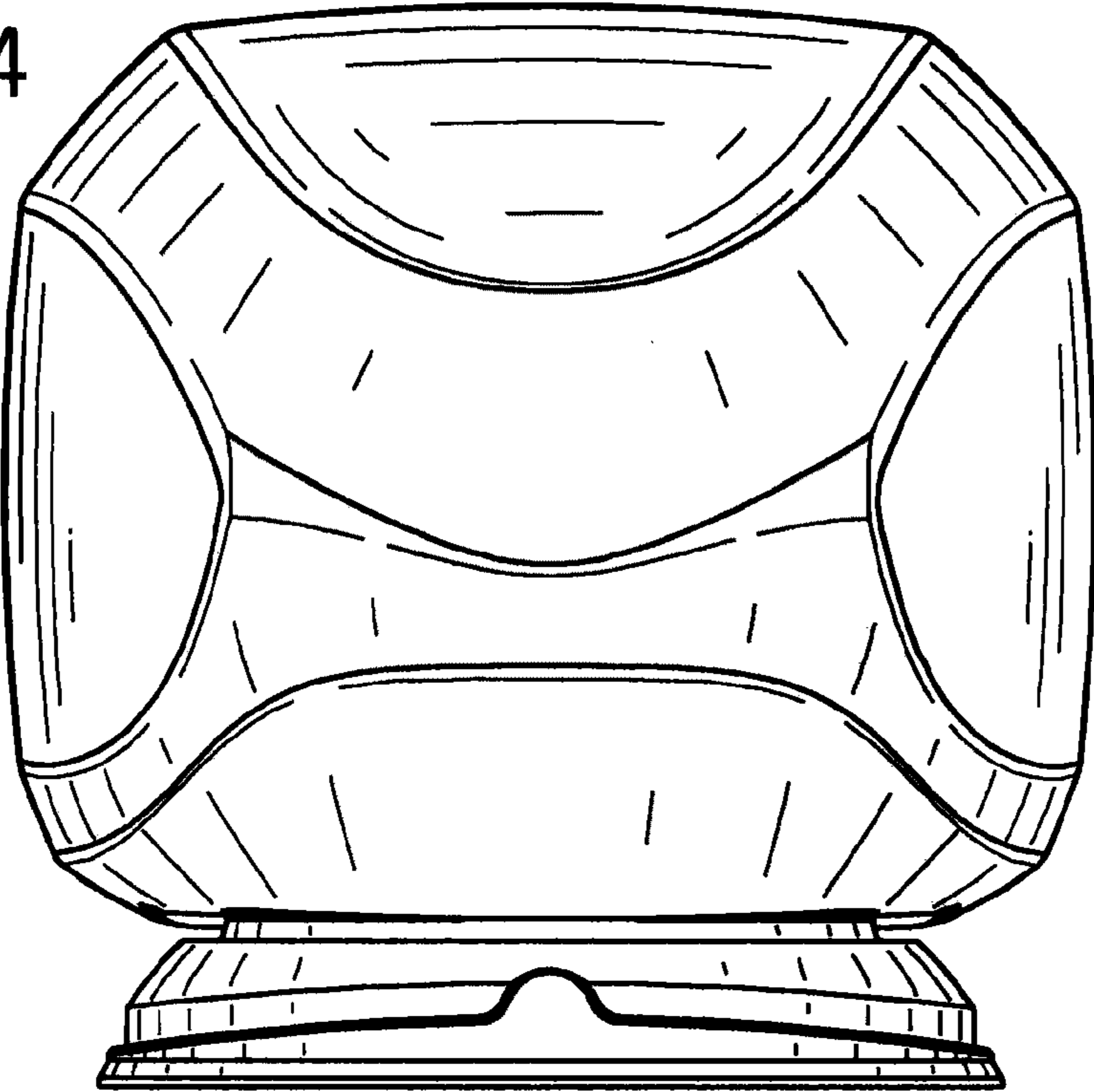
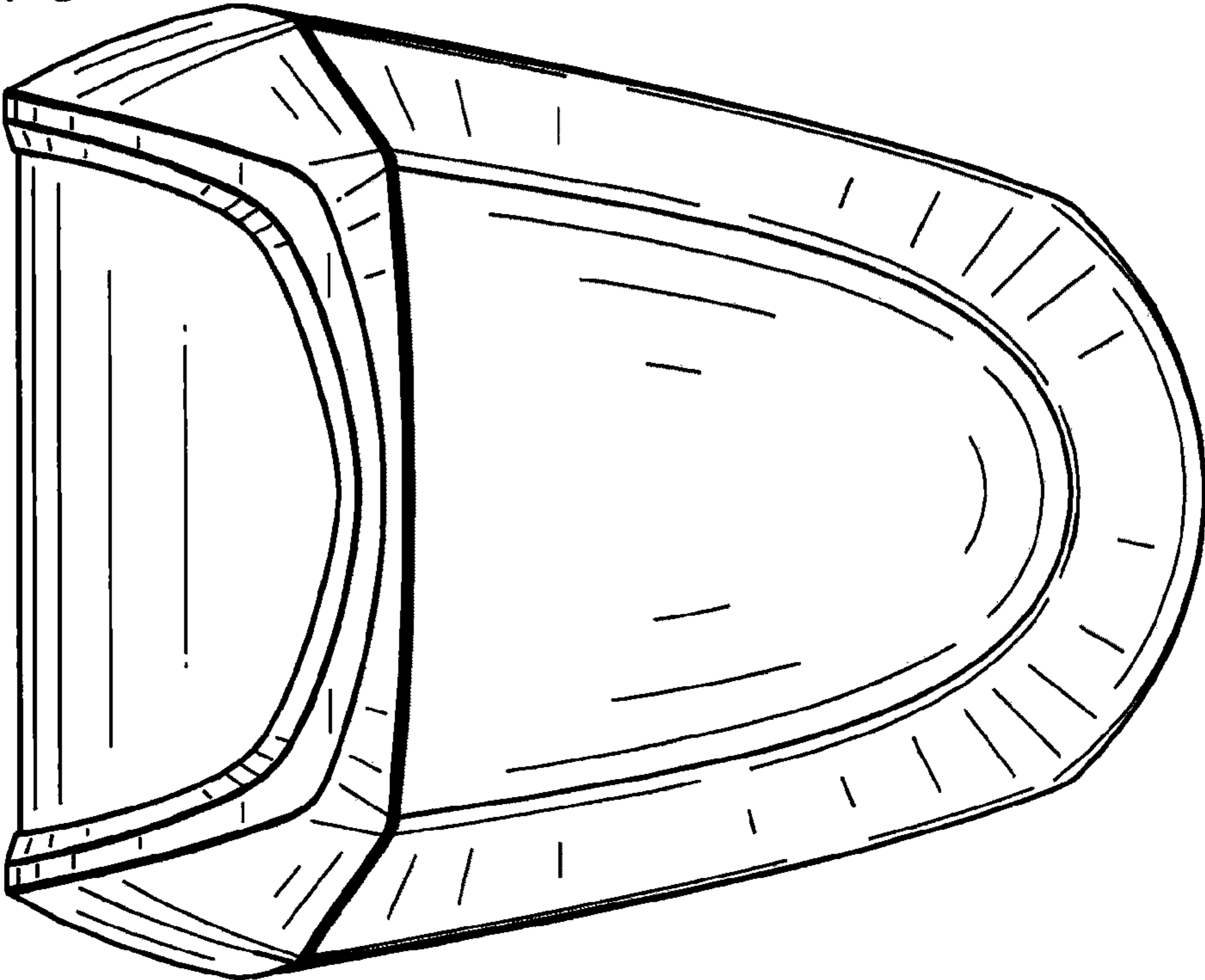


FIG. 5



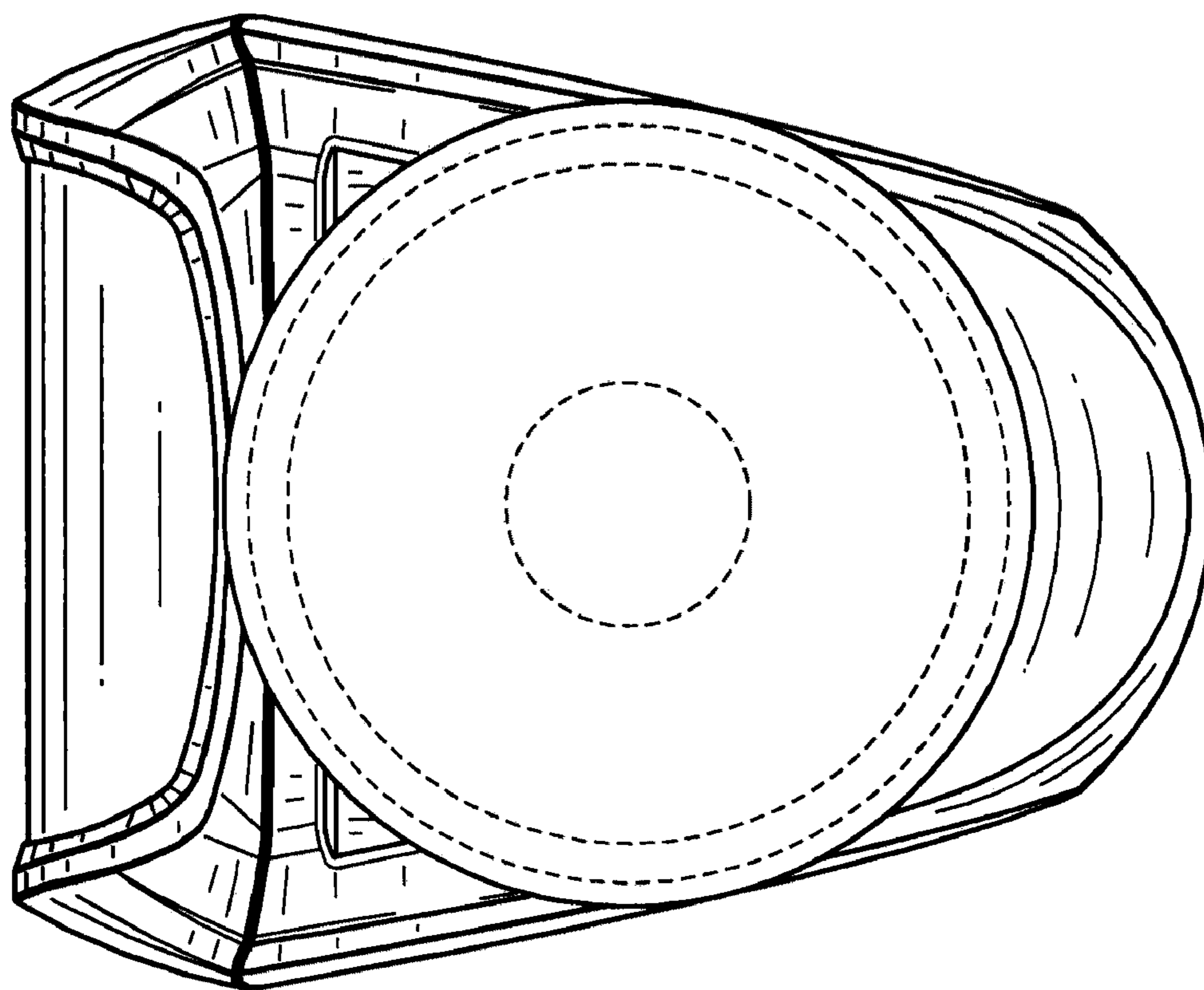


FIG. 6