



US00D646821S

(12) **United States Design Patent**
Wauters

(10) **Patent No.:** **US D646,821 S**
(45) **Date of Patent:** **** Oct. 11, 2011**

(54) **LUMINAIRE**

(75) Inventor: **Tom Wauters**, Mortsel (BE)

(73) Assignee: **Koninklijke Philips Electronics N.V.**,
Eindhoven (NL)

(**) Term: **14 Years**

(21) Appl. No.: **29/376,532**

(22) Filed: **Oct. 8, 2010**

(30) **Foreign Application Priority Data**

Apr. 8, 2010 (EM) 001692088-0001

(51) **LOC (9) Cl.** **26-05**

(52) **U.S. Cl.** **D26/63**

(58) **Field of Classification Search** D26/60-66,
D26/72, 74-92, 118-124; 362/145, 147,
362/211-215, 217.01, 218-220, 222-225,
362/217.02-217.09, 217.1, 217.11-217.17,
362/227, 232, 233, 235-248, 249.03, 249.06,
362/249.07, 249.09, 249.1, 249.11, 249.14,
362/267-269, 274, 275, 277, 278, 281-283,
362/285, 287, 288, 362, 364, 365, 368, 371,
362/372, 404, 418, 421, 427, 322, 249.13,
362/249.16, 319

See application file for complete search history.

(56) **References Cited**

U.S. PATENT DOCUMENTS

4,731,710	A *	3/1988	Distasio	362/147
5,772,315	A *	6/1998	Shen	362/396
6,170,967	B1 *	1/2001	Usher et al.	362/394
D448,508	S *	9/2001	Benghozi	D26/63
6,739,740	B1 *	5/2004	Feldman	362/404
D557,438	S *	12/2007	Hsu	D26/83
D557,440	S *	12/2007	Hsu	D26/83
D557,441	S *	12/2007	Hsu	D26/83
7,306,359	B2 *	12/2007	Harwood	362/648
D563,012	S *	2/2008	Citterio	D26/63
D566,873	S *	4/2008	Grundl et al.	D26/63
D620,174	S *	7/2010	Sabernig	D26/83
D620,175	S *	7/2010	Sabernig	D26/83

* cited by examiner

Primary Examiner — Susan M Lee

Assistant Examiner — Linda G. Brooks

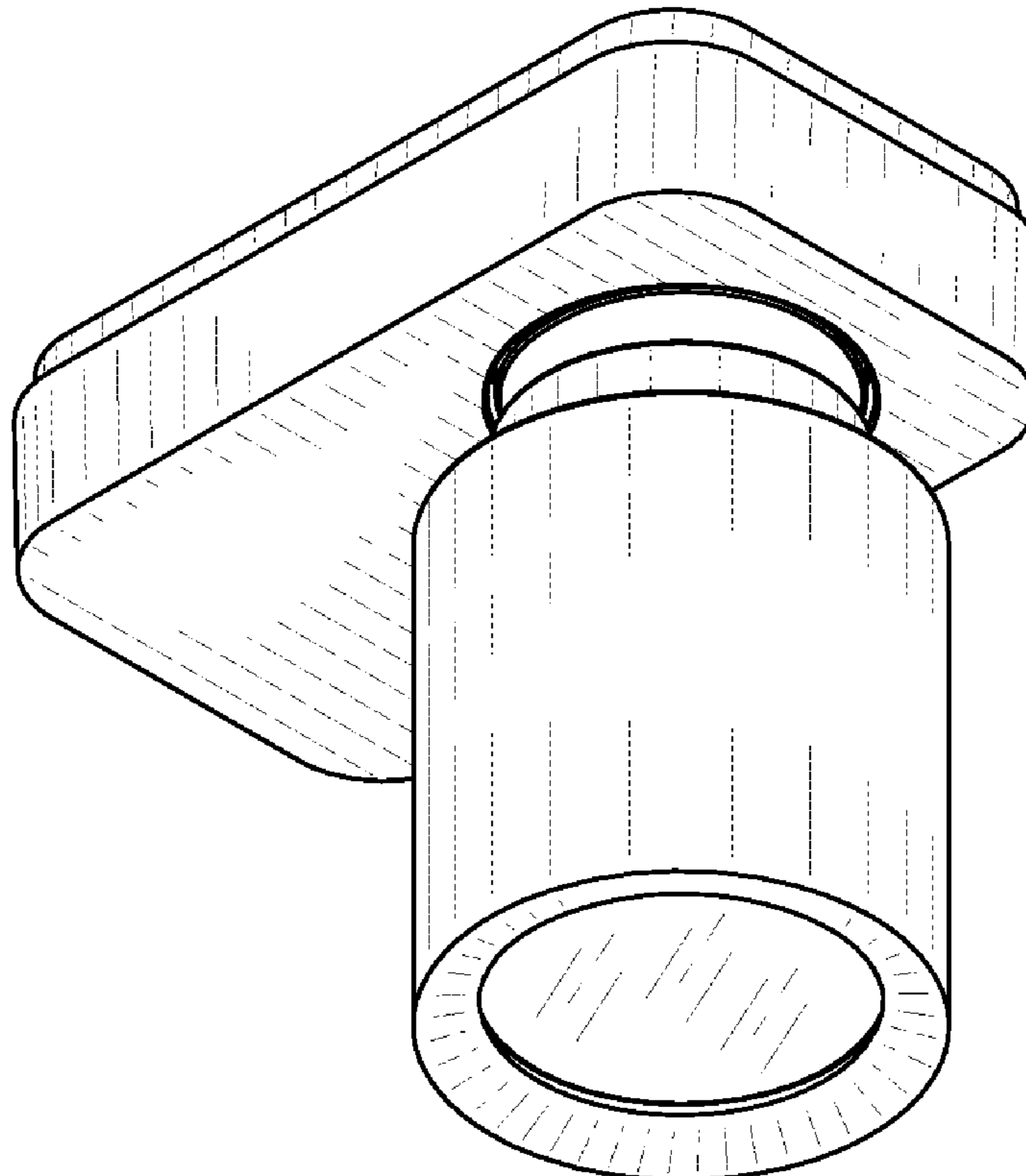
(57) **CLAIM**

The ornamental design for a luminaire, as shown.

DESCRIPTION

FIG. 1 is a perspective view showing my design;
FIG. 2 is a front elevational view thereof;
FIG. 3 is a rear elevational view thereof;
FIG. 4 is a right side elevational view thereof;
FIG. 5 is a left side elevational view thereof;
FIG. 6 is a top plan view thereof; and,
FIG. 7 is a bottom plan view thereof.

1 Claim, 4 Drawing Sheets



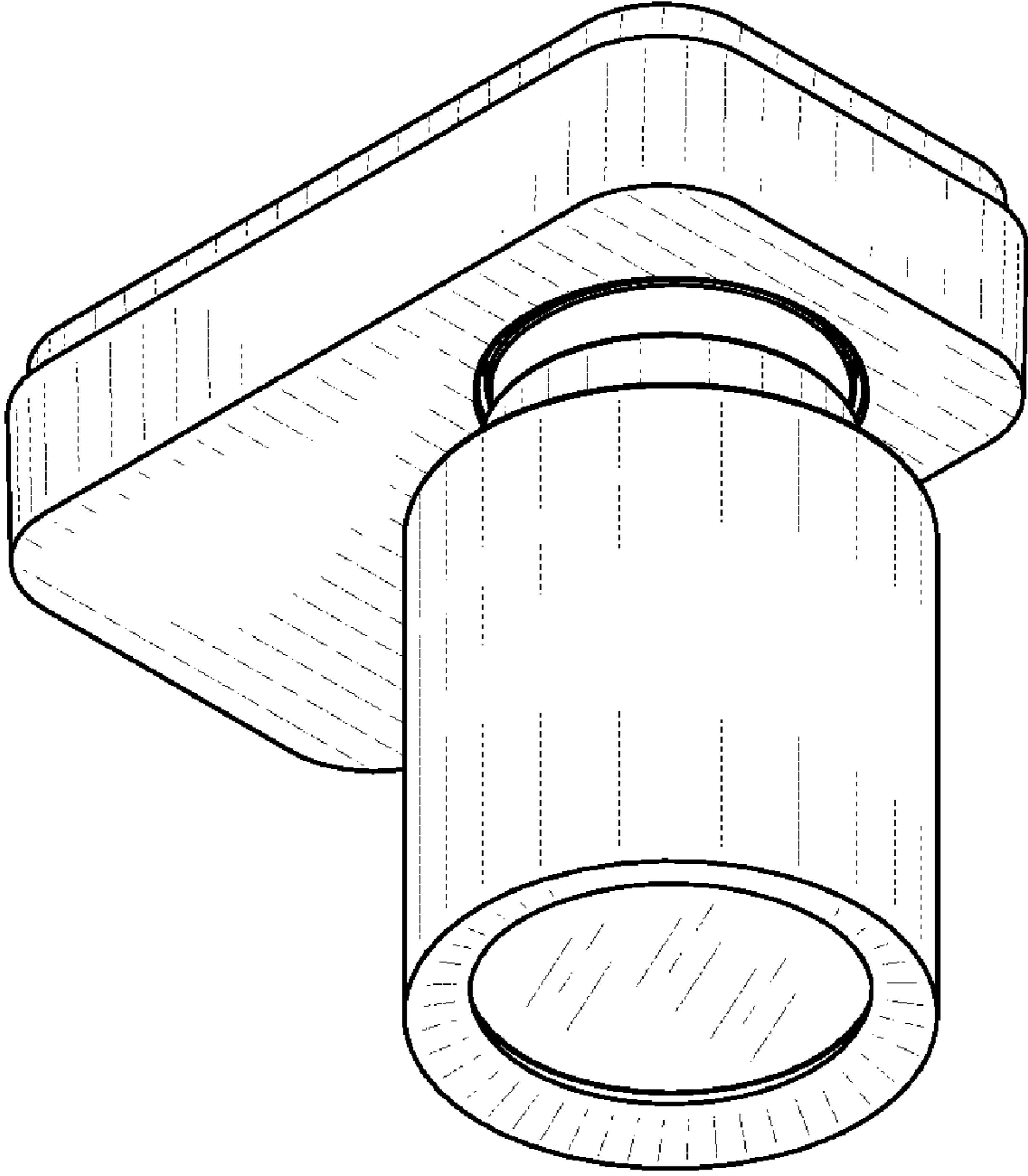


FIG. 1

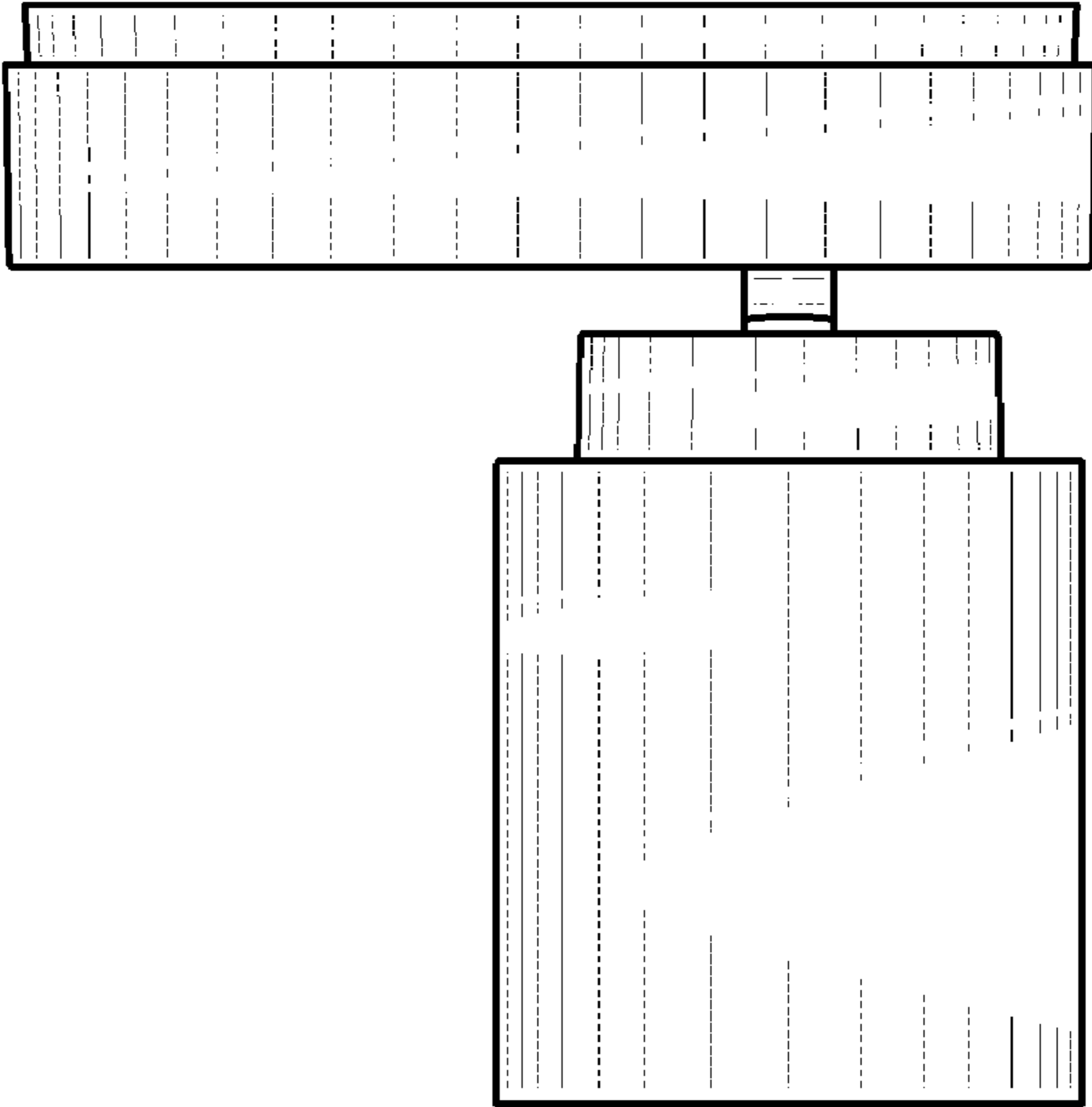


FIG. 2

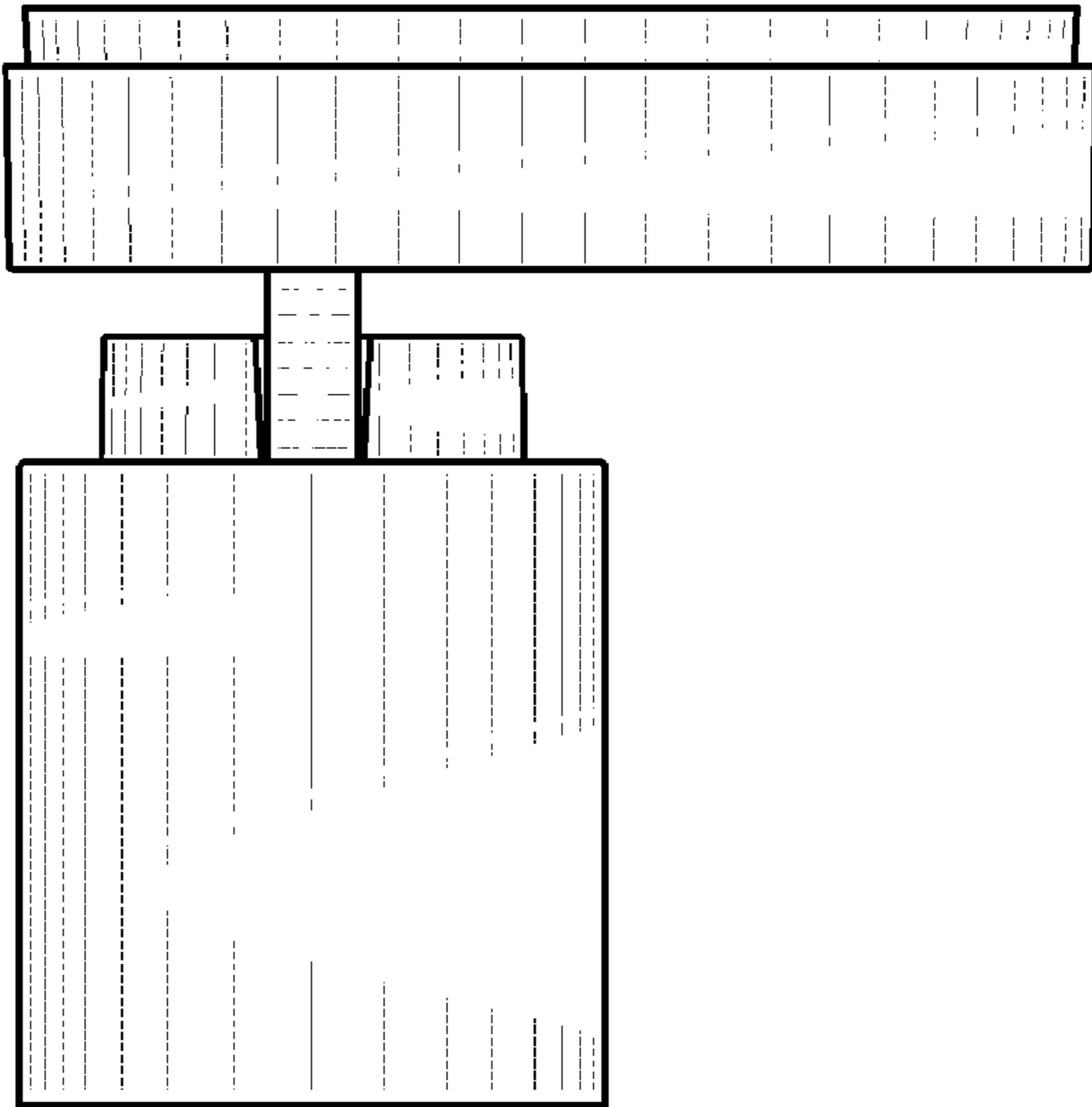


FIG. 3

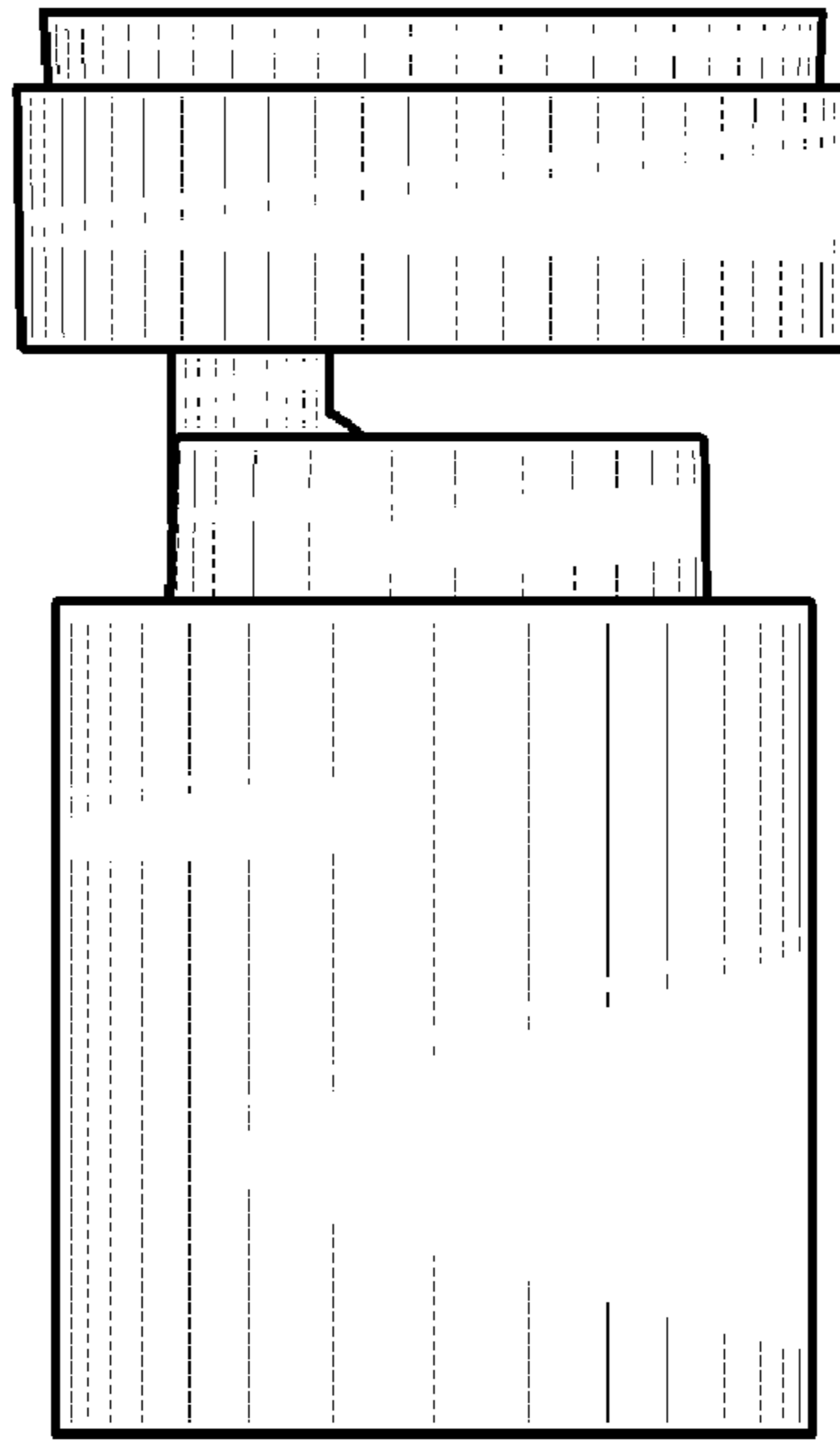


FIG. 4

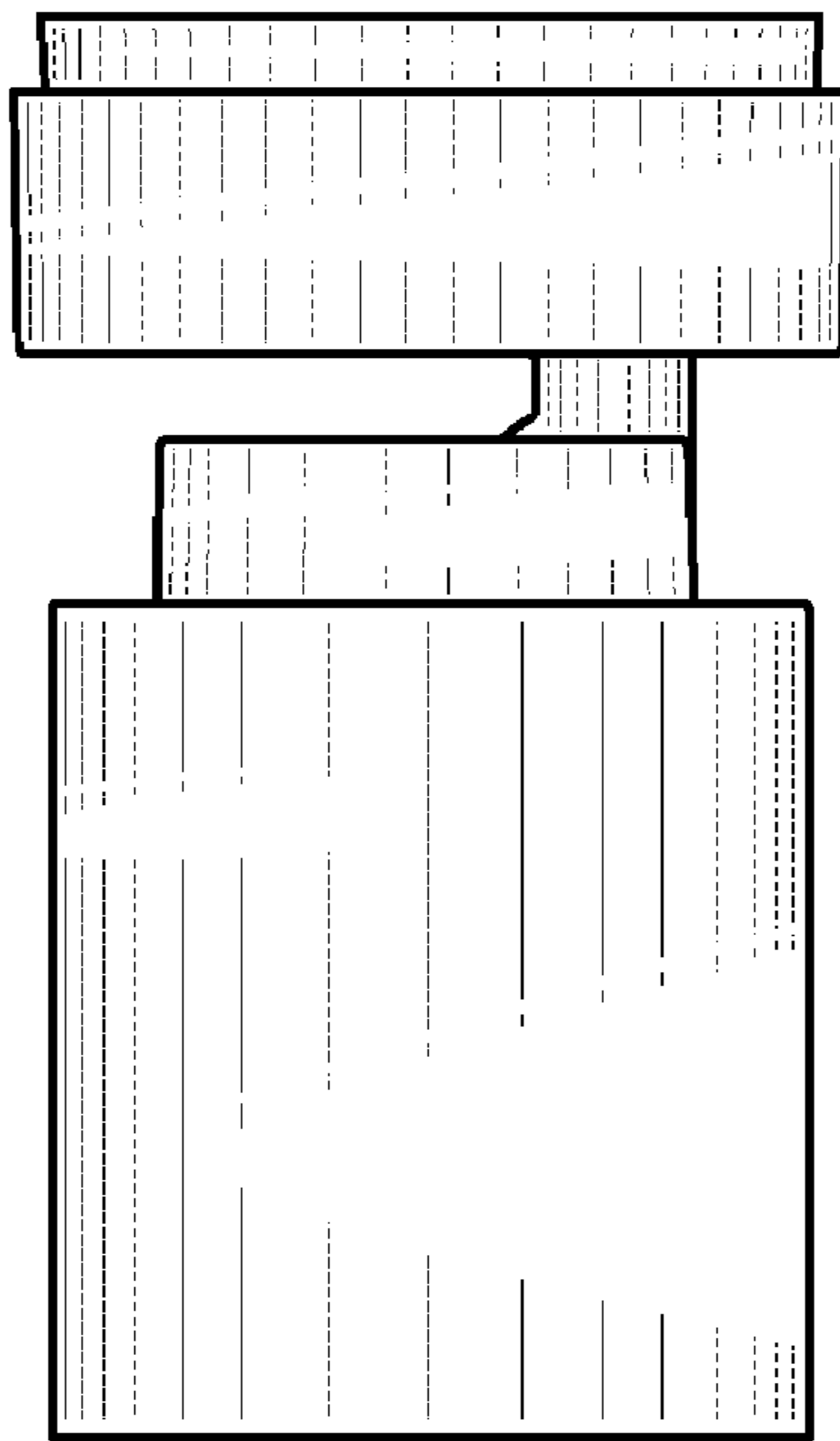


FIG. 5

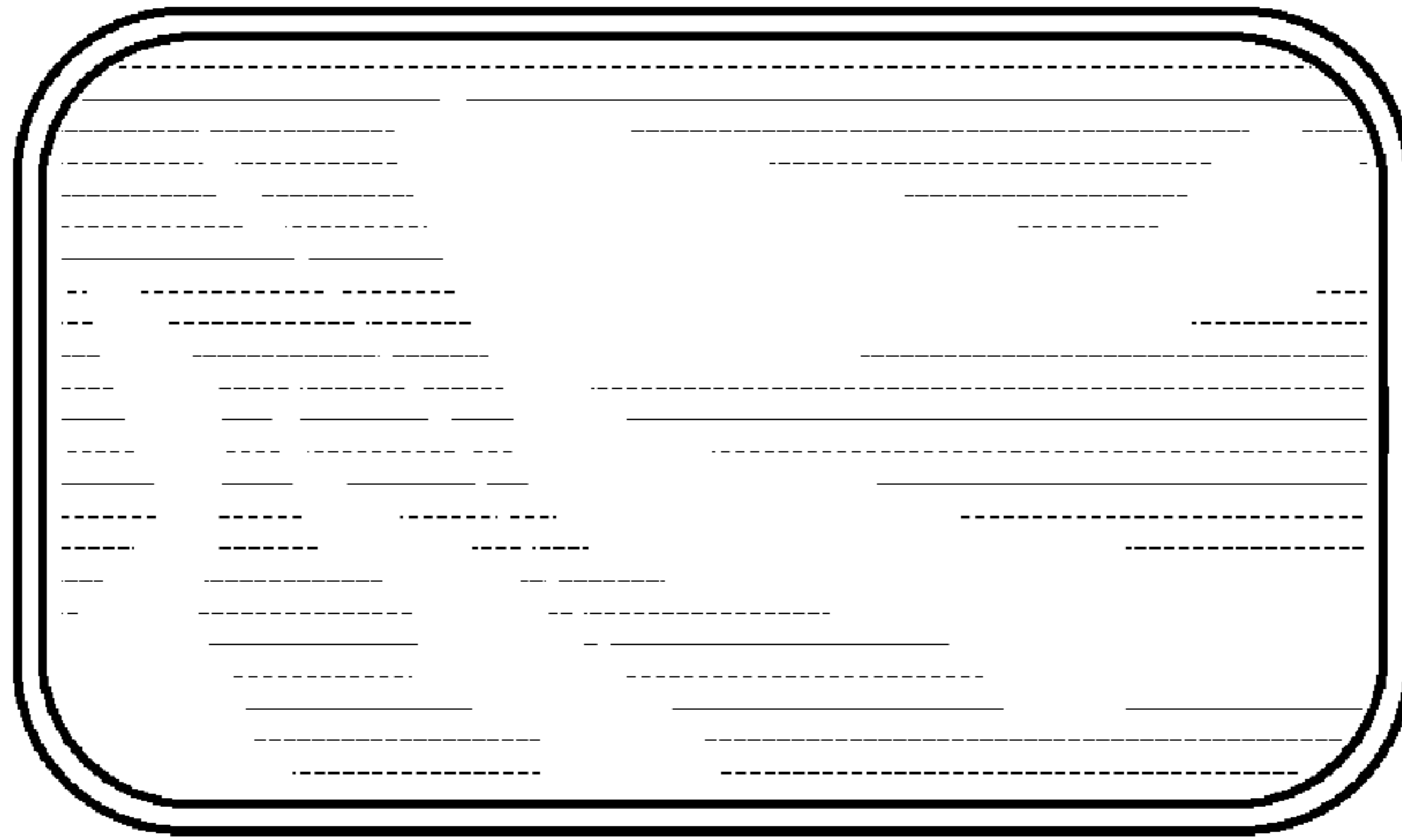


FIG. 6

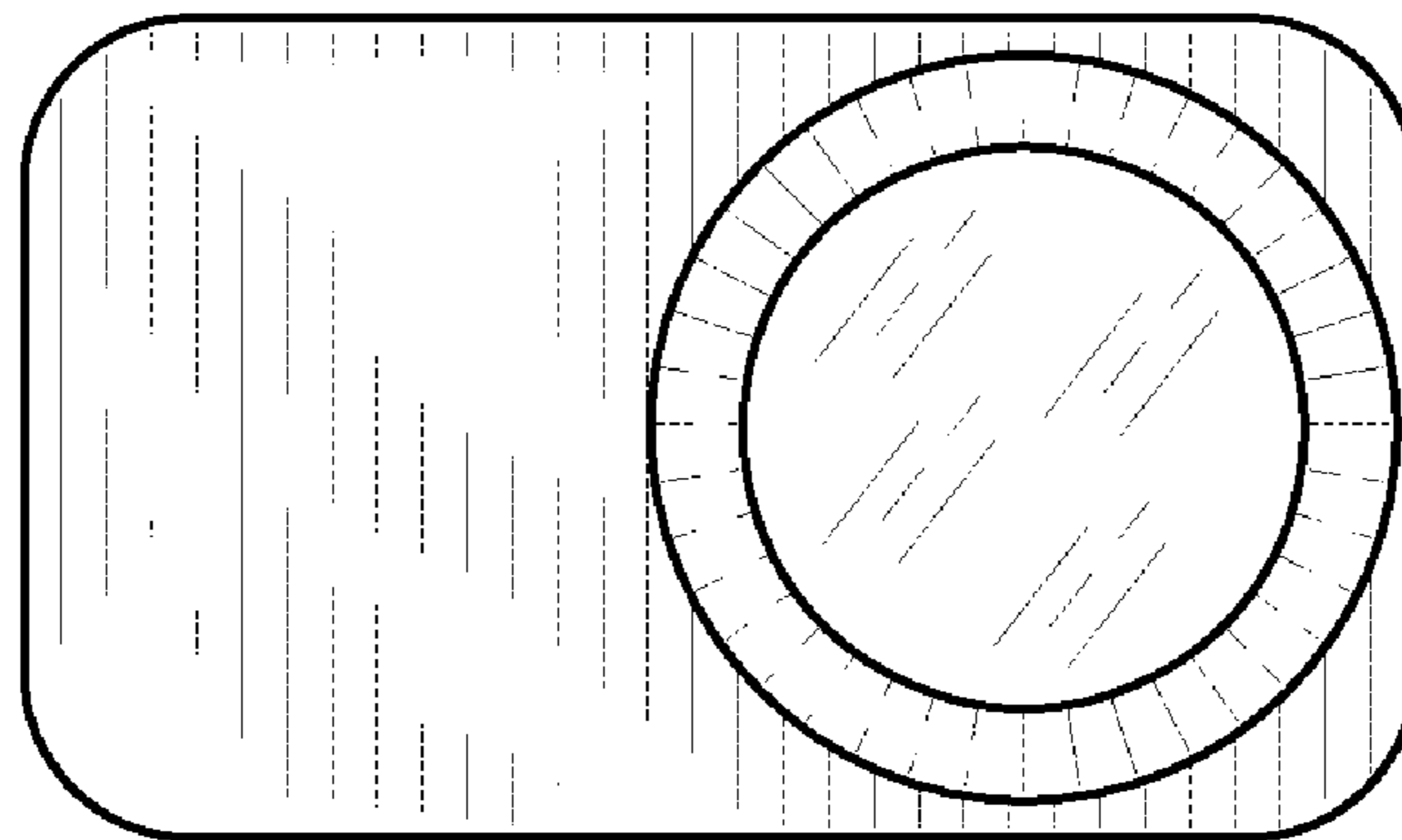


FIG. 7