



US00D646820S

(12) **United States Design Patent**
Wauters

(10) **Patent No.:** **US D646,820 S**
(45) **Date of Patent:** **** Oct. 11, 2011**

(54) **LUMINAIRE**

(75) Inventor: **Tom Wauters**, Mortsel (BE)

(73) Assignee: **Koninklijke Philips Electronics N.V.**,
Eindhoven (NL)

(**) Term: **14 Years**

(21) Appl. No.: **29/376,522**

(22) Filed: **Oct. 8, 2010**

(30) **Foreign Application Priority Data**

Apr. 8, 2010 (EM) 001691957-0005

(51) **LOC (9) Cl.** **26-05**

(52) **U.S. Cl.** **D26/63**

(58) **Field of Classification Search** D26/60-66,
D26/72, 74-92, 118-124; 362/145, 147,
362/211-215, 217.01, 218-220, 222-225,
362/217.02-217.09, 217.1, 217.11-217.17,
362/640, 647, 648, 653, 227, 232, 233, 235-248,
362/249.03, 249.06, 249.07, 249.09, 249.1,
362/249.11, 249.14, 267-269, 274, 275,
362/277, 278, 281-283, 285, 287, 288, 362,
362/364, 365, 368, 371, 372, 404, 418, 421,
362/427, 151, 322, 249.13; 362/249.16,
362/319

See application file for complete search history.

(56) **References Cited**

U.S. PATENT DOCUMENTS

5,772,315	A *	6/1998	Shen	362/396
6,170,967	B1 *	1/2001	Usher et al.	362/394
D520,177	S *	5/2006	Roos et al.	D26/143
7,306,359	B2 *	12/2007	Harwood	362/648
D563,012	S *	2/2008	Citterio	D26/63
D604,003	S *	11/2009	Sabernig	D26/83
D618,843	S *	6/2010	Sabernig	D26/88
D633,636	S *	3/2011	Gielen	D26/74
2011/0007503	A1 *	1/2011	Caron et al.	362/225

* cited by examiner

Primary Examiner — Susan M Lee

Assistant Examiner — Linda G. Brooks

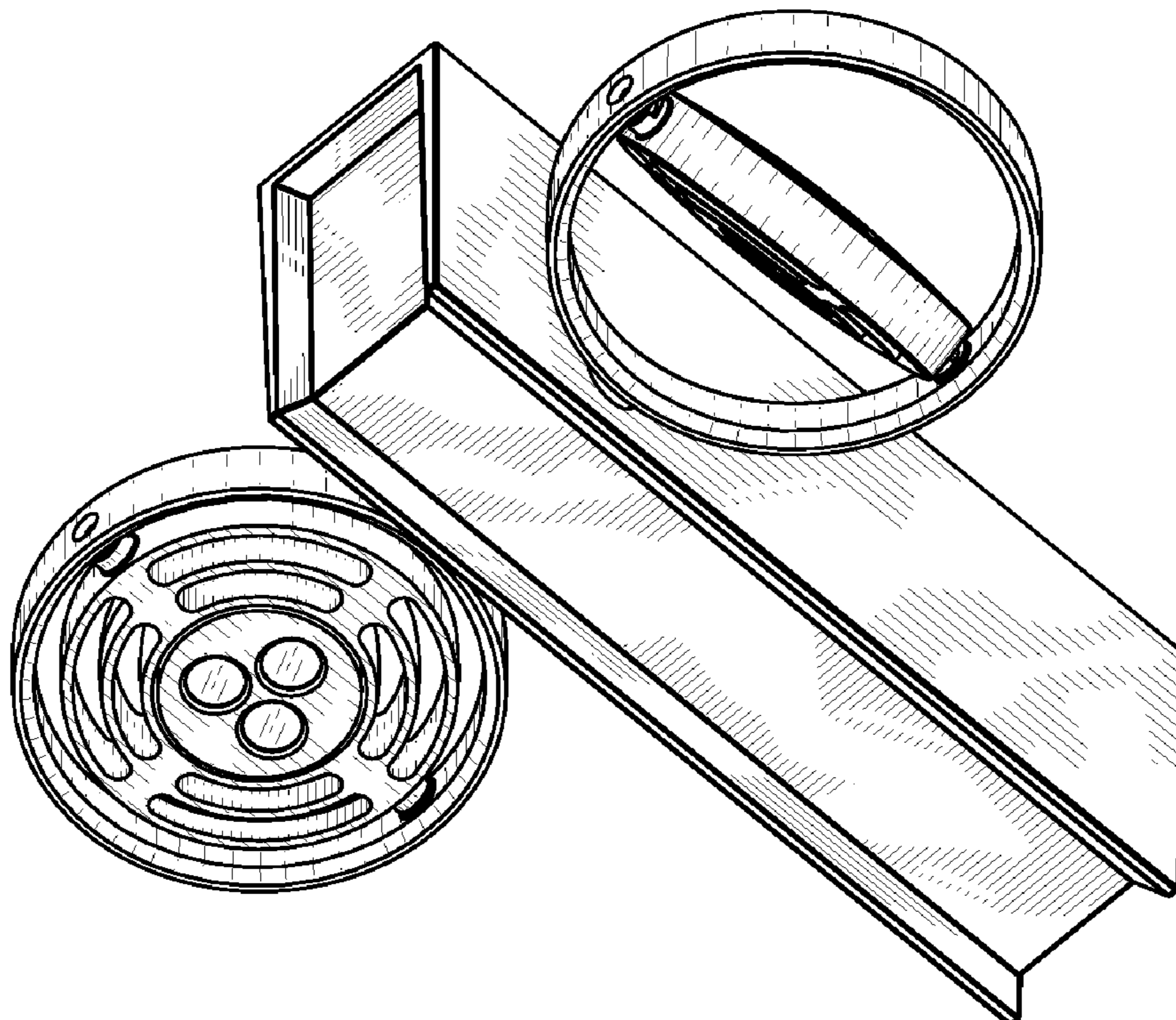
(57) **CLAIM**

The ornamental design for a luminaire, as shown.

DESCRIPTION

FIG. 1 is a perspective view showing my design;
FIG. 2 is a front elevational view thereof;
FIG. 3 is a rear elevational view thereof;
FIG. 4 is a right side elevational view thereof;
FIG. 5 is a left side elevational view thereof;
FIG. 6 is a top plan view thereof; and,
FIG. 7 is a bottom plan view thereof.

1 Claim, 4 Drawing Sheets



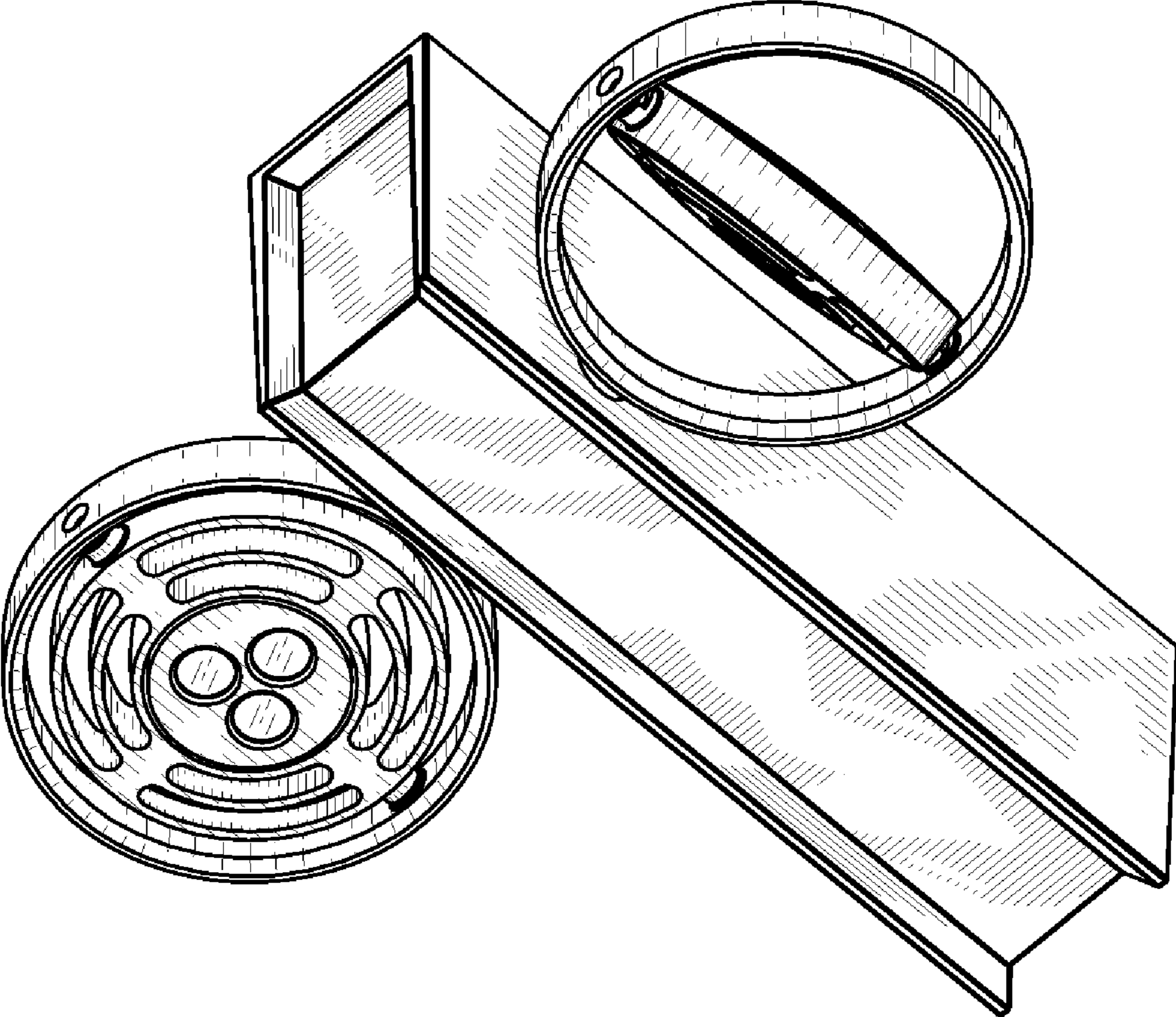


FIG. 1

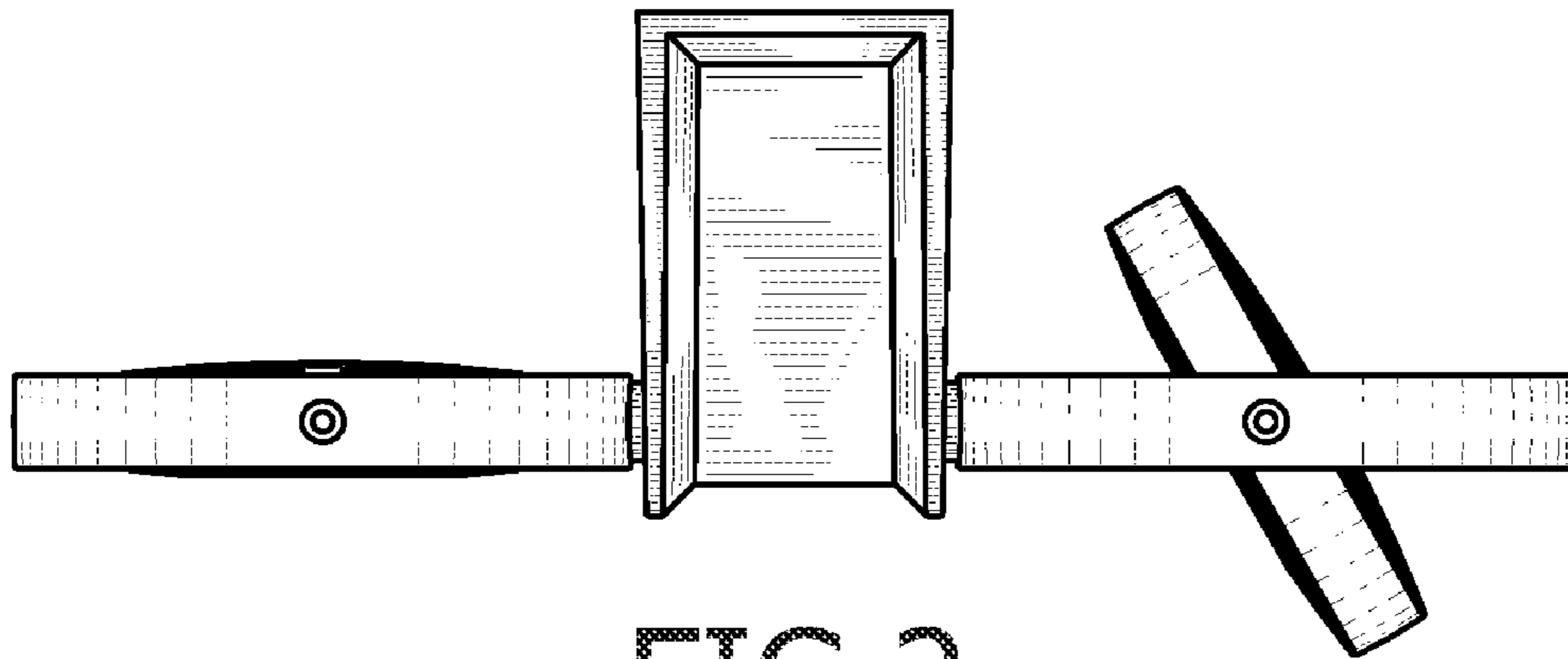


FIG. 2

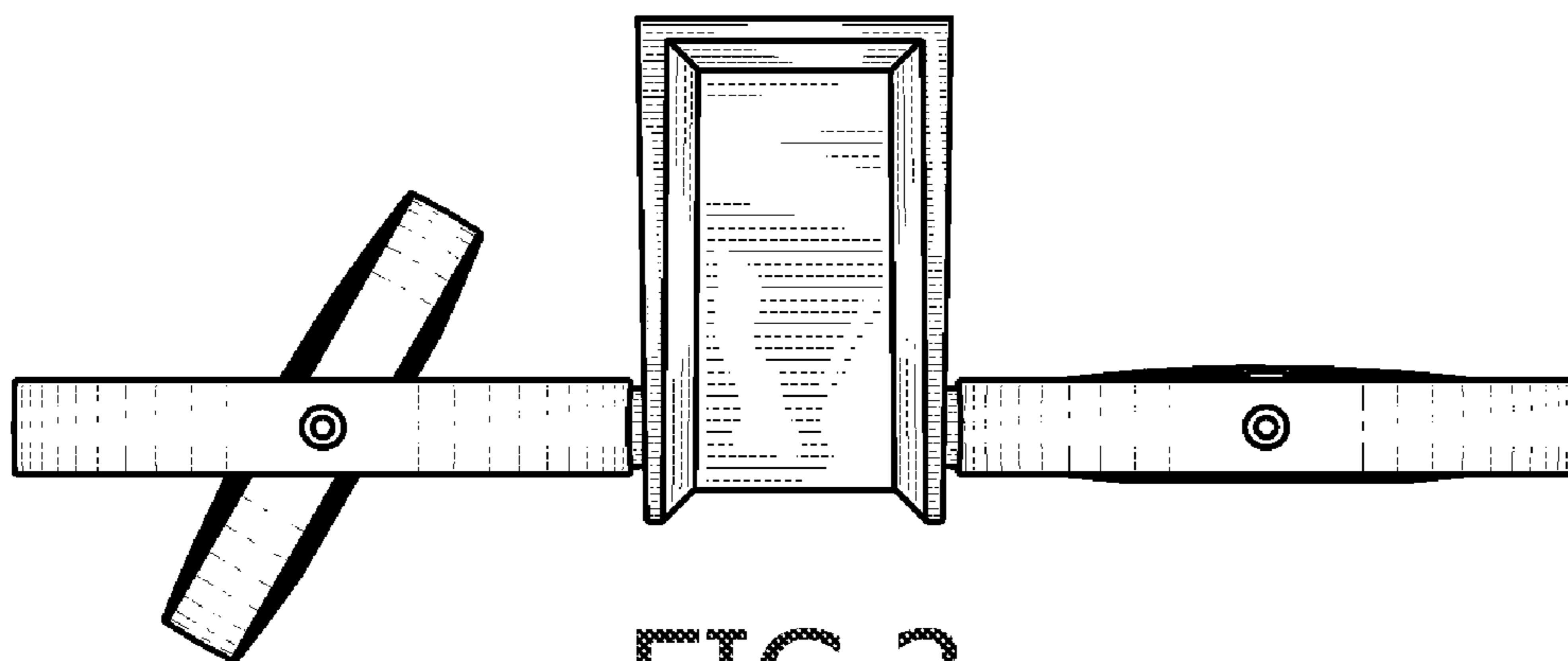


FIG. 3

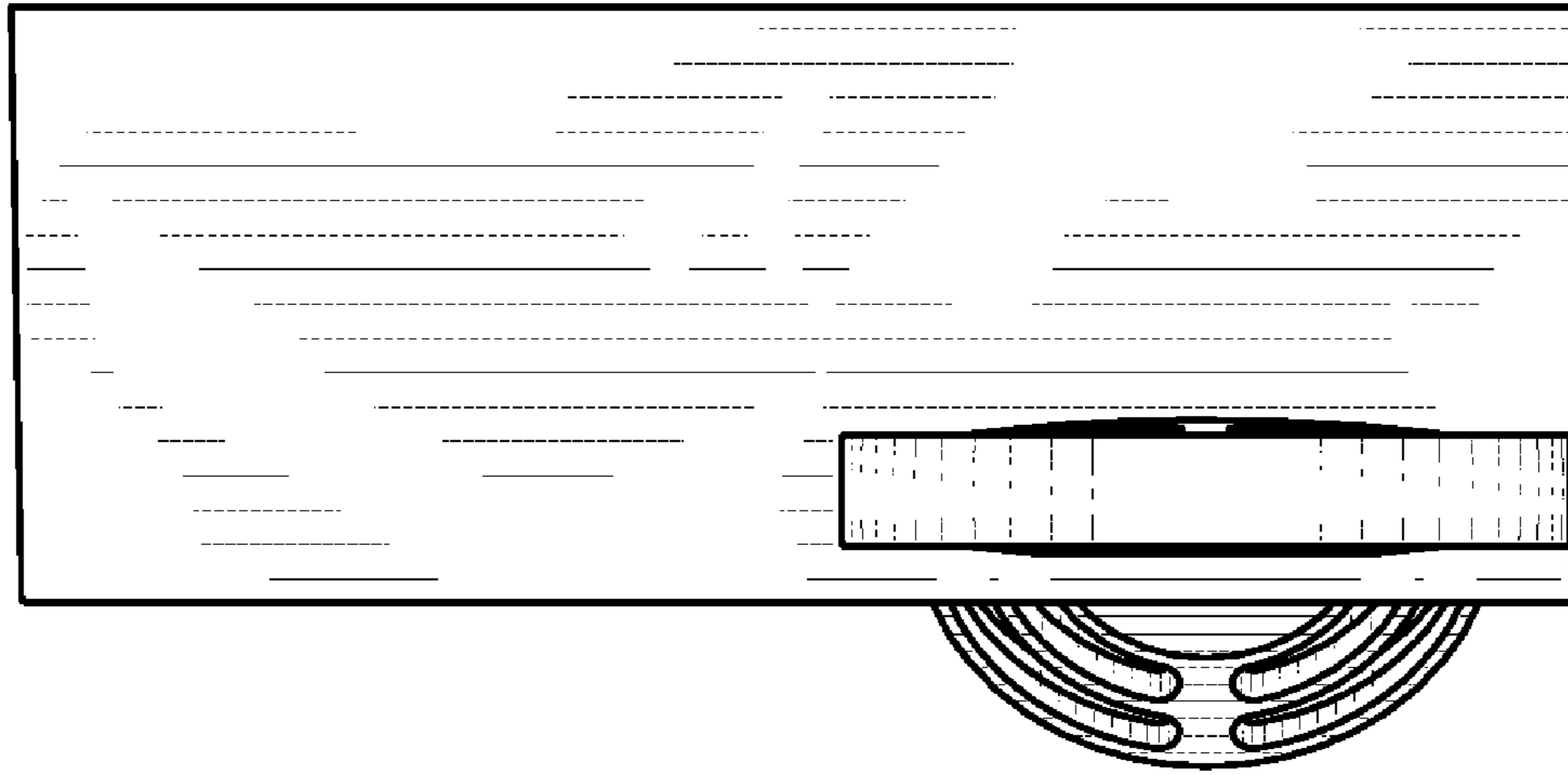


FIG. 4

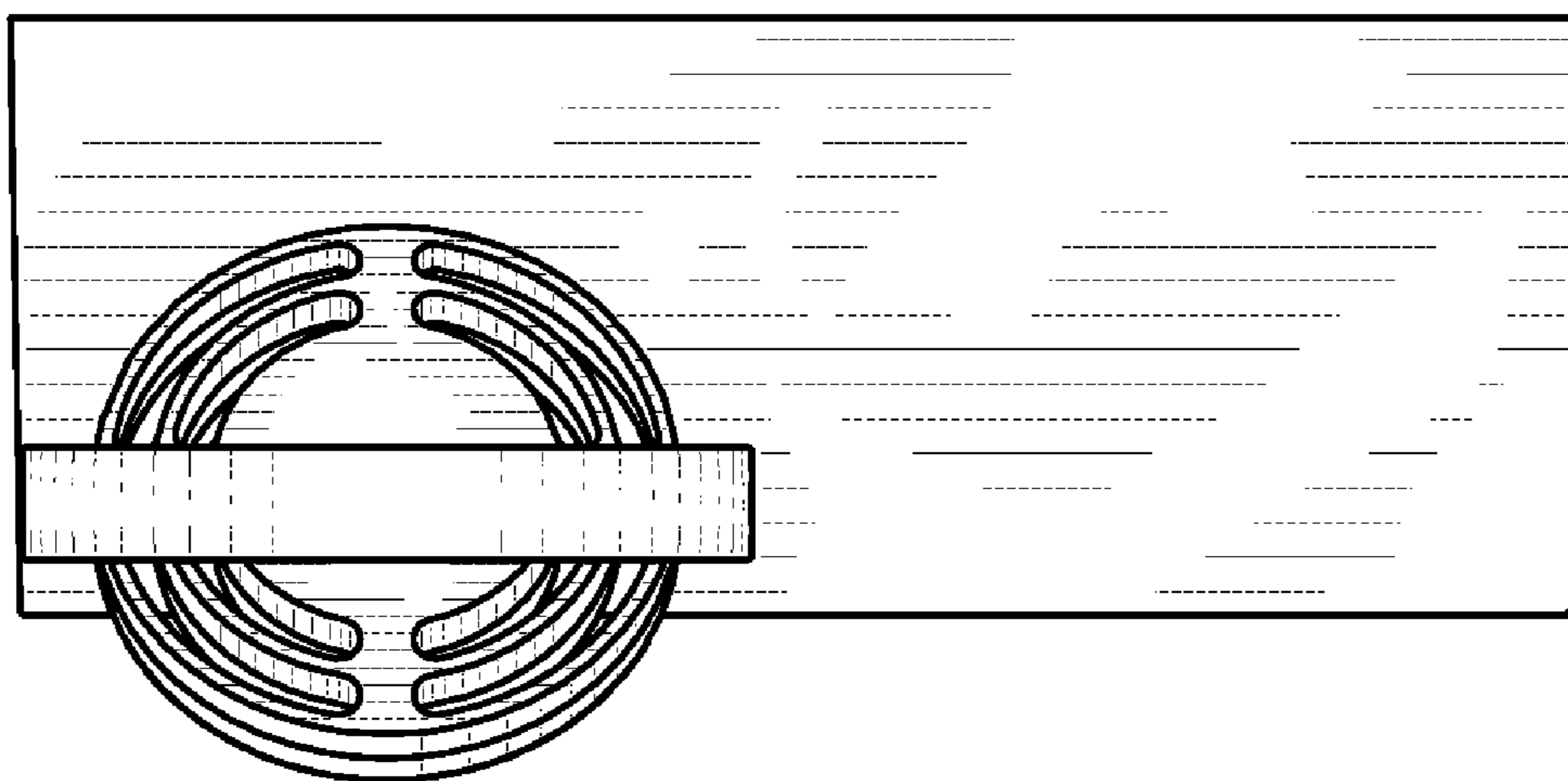


FIG. 5

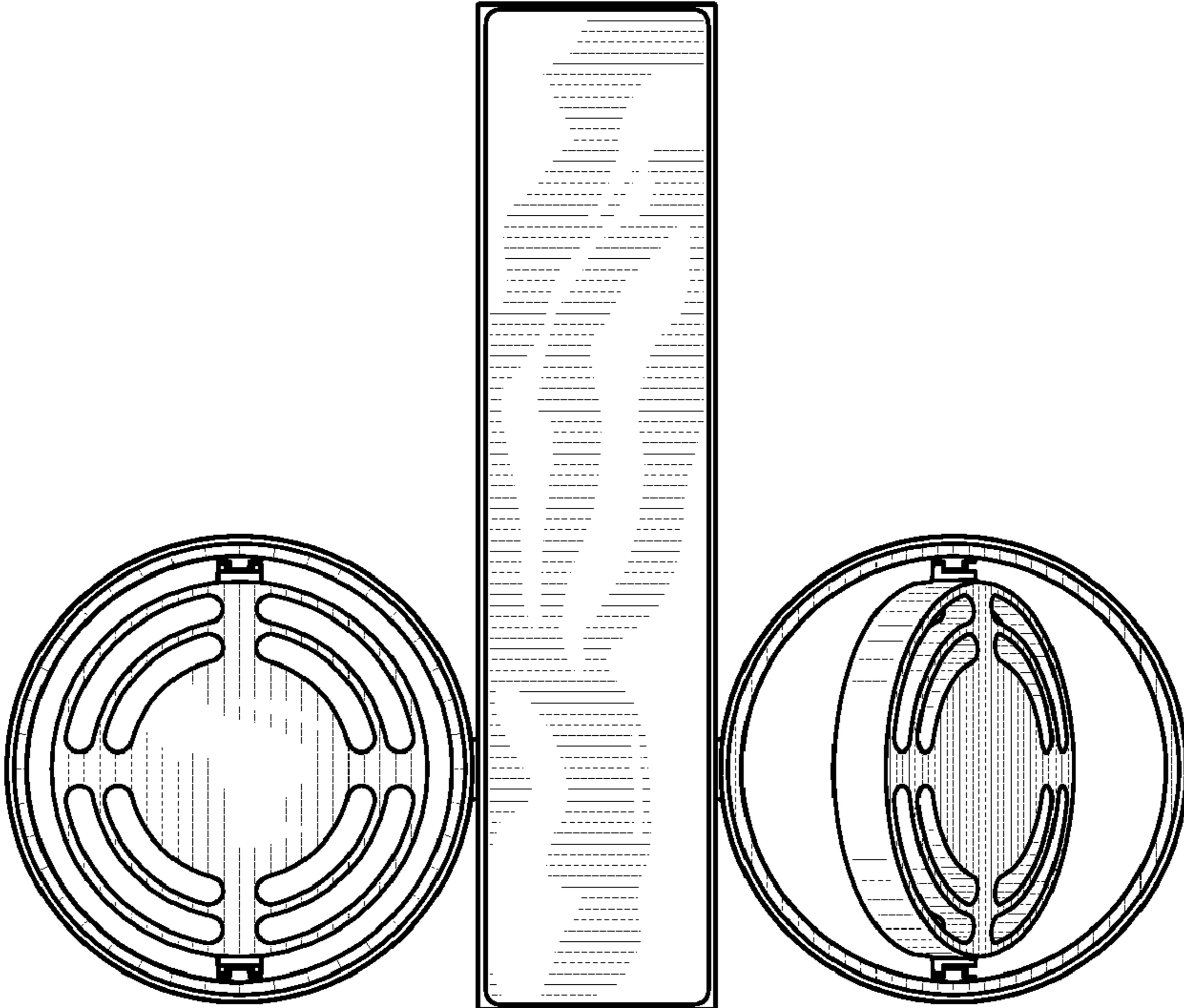


FIG. 6

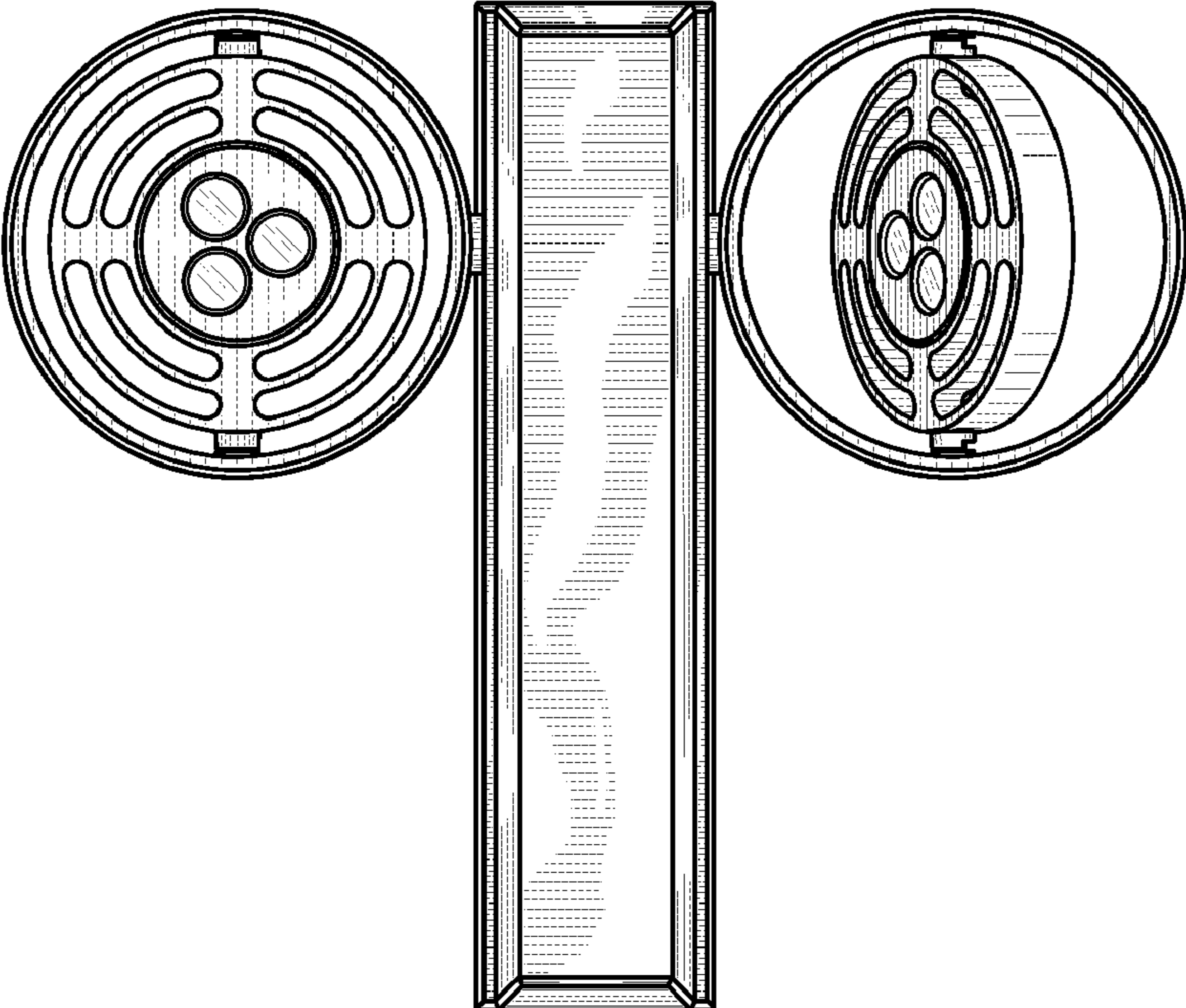


FIG. 7