



US00D646817S

(12) **United States Design Patent**  
**Yuen**

(10) **Patent No.:** **US D646,817 S**

(45) **Date of Patent:** **\*\* Oct. 11, 2011**

(54) **LED SPOTLIGHT**

(75) **Inventor:** **Se Kit Yuen, Kowloon (HK)**

(73) **Assignee:** **John Manufacturing Limited, Kowloon (HK)**

(\*\*) **Term:** **14 Years**

(21) **Appl. No.:** **29/382,997**

(22) **Filed:** **Jan. 11, 2011**

(30) **Foreign Application Priority Data**

Dec. 21, 2010 (HK) ..... 1002429

(51) **LOC (9) Cl.** ..... **26-02**

(52) **U.S. Cl.** ..... **D26/48**

(58) **Field of Classification Search** ..... D26/37,  
D26/41, 44, 45, 46, 48, 49, 50; 362/157,  
362/158, 184, 183, 192, 193, 194-208  
See application file for complete search history.

(56) **References Cited**

**U.S. PATENT DOCUMENTS**

D197,731 S *	3/1964	Ashe	.....	D26/48
D359,814 S *	6/1995	Yuen	.....	D26/48
D360,043 S *	7/1995	Inukai	.....	D26/48
D372,549 S *	8/1996	Lo	.....	D26/48
D376,863 S *	12/1996	Yuen	.....	D26/48
D389,594 S *	1/1998	Poon	.....	D26/48
D403,454 S *	12/1998	Zelina et al.	.....	D26/48
D404,154 S *	1/1999	Breit	.....	D26/37
D422,732 S *	4/2000	Kung	.....	D26/48
D443,708 S *	6/2001	Lynch et al.	.....	D26/46
D445,935 S *	7/2001	Shing	.....	D26/50

D446,326 S *	8/2001	Yeun	.....	D26/48
D459,822 S *	7/2002	Poon	.....	D26/48
D485,628 S *	1/2004	Yuen	.....	D26/37
D489,468 S *	5/2004	Lo	.....	D26/37
D499,827 S *	12/2004	Li	.....	D26/48
D514,722 S *	2/2006	Shen	.....	D26/46
D514,724 S *	2/2006	Yuen	.....	D26/46
D529,650 S *	10/2006	Yuen	.....	D26/46
D533,673 S *	12/2006	Yuen	.....	D26/46
D544,122 S *	6/2007	Yuen	.....	D26/46
D611,631 S *	3/2010	Hsu	.....	D26/45
D616,580 S *	5/2010	Bertken	.....	D26/48
D629,939 S *	12/2010	Yuen	.....	D26/45
D639,474 S *	6/2011	Sun	.....	D26/48

\* cited by examiner

*Primary Examiner* — Ian Simmons

*Assistant Examiner* — Carissa C Fitts

(74) *Attorney, Agent, or Firm* — Rabin & Berdo, P.C.

(57) **CLAIM**

The ornamental design for a LED spotlight, as shown and described.

**DESCRIPTION**

FIG. 1 is a front view of a LED spotlight showing my new design;

FIG. 2 is a rear view thereof;

FIG. 3 is a left side view thereof;

FIG. 4 is a right side view thereof;

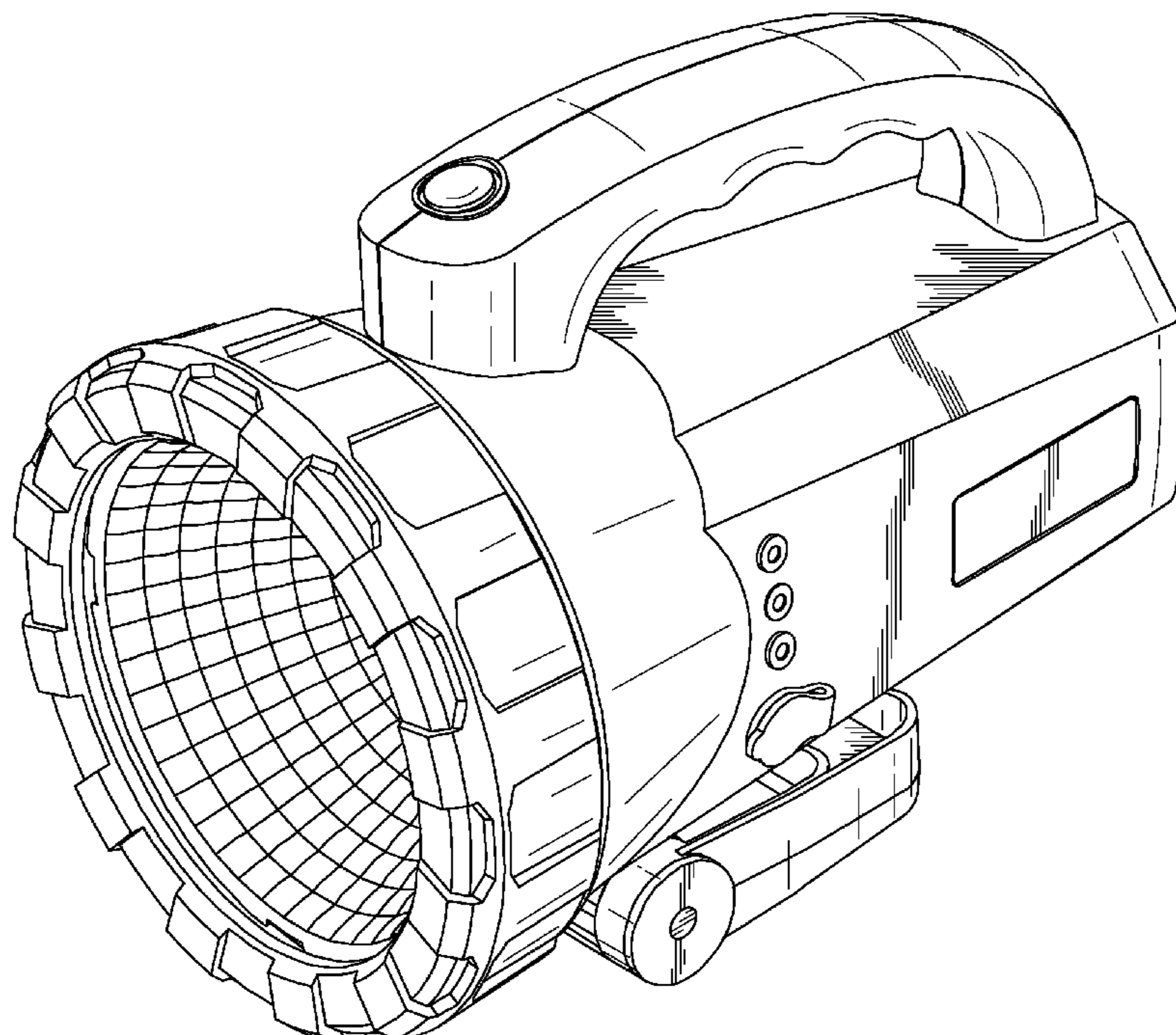
FIG. 5 is a top view thereof;

FIG. 6 is a bottom view thereof;

FIG. 7 is a top perspective view thereof; and,

FIG. 8 is a bottom perspective view thereof.

**1 Claim, 7 Drawing Sheets**



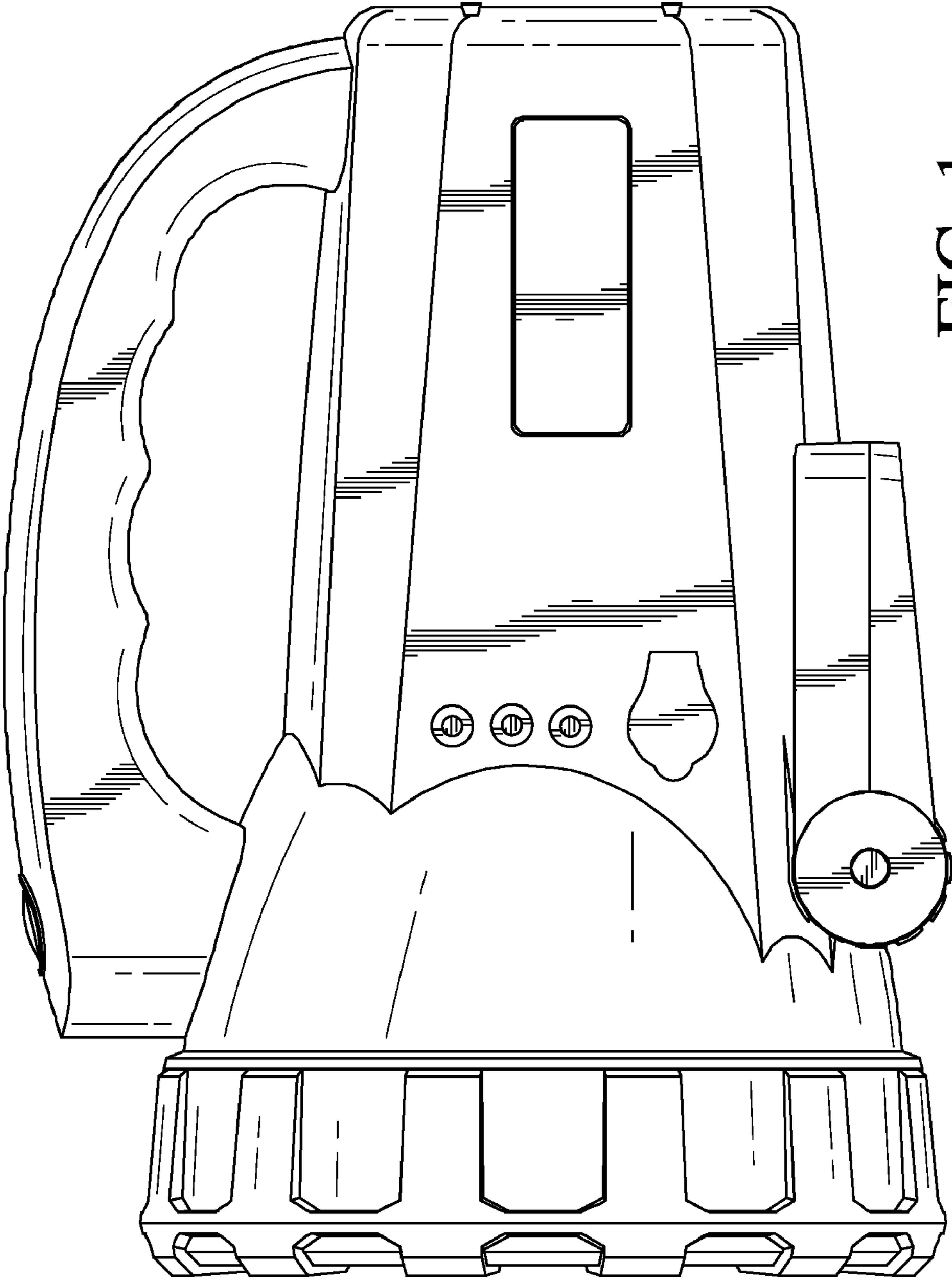


FIG. 1

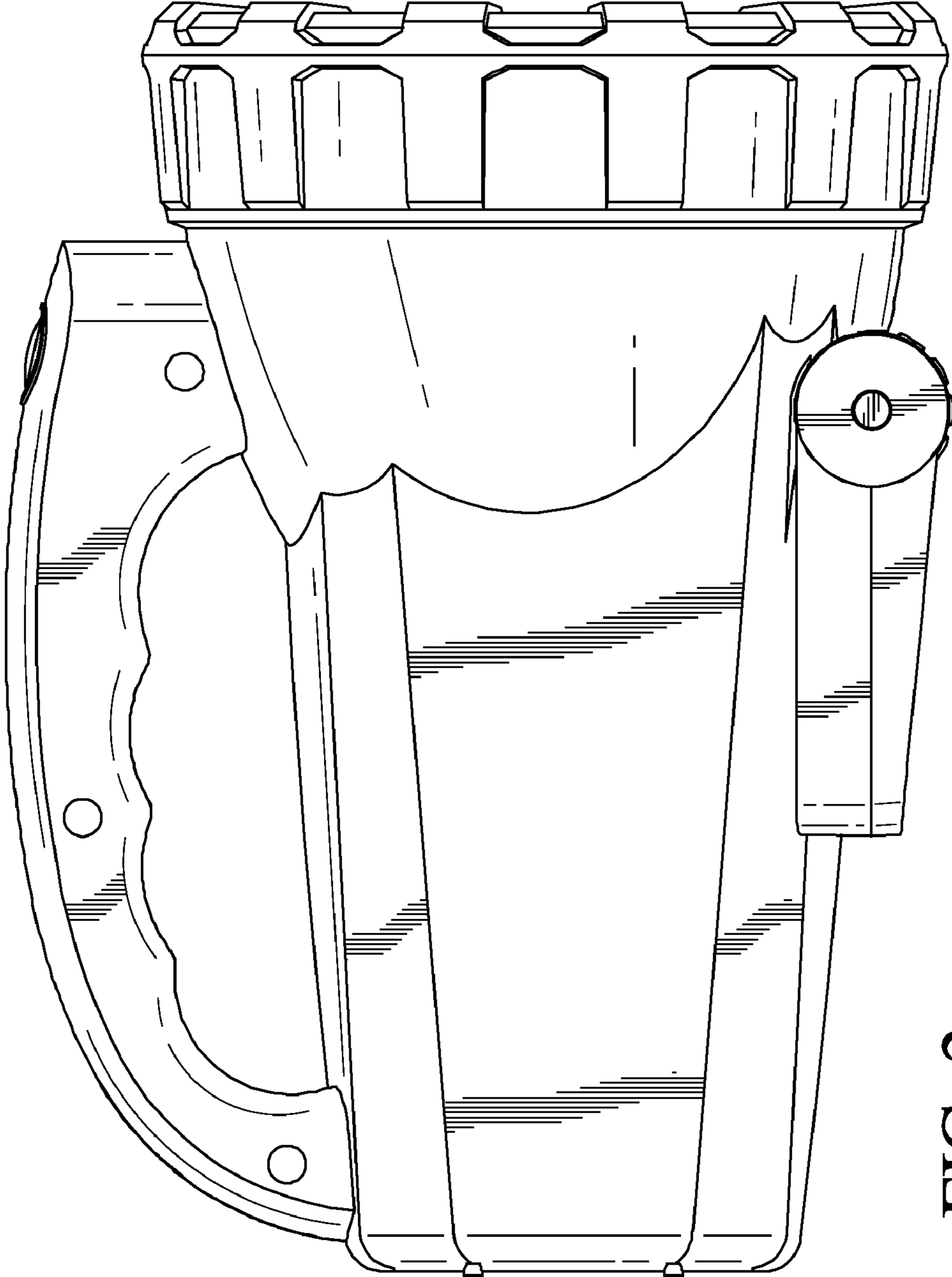


FIG. 2

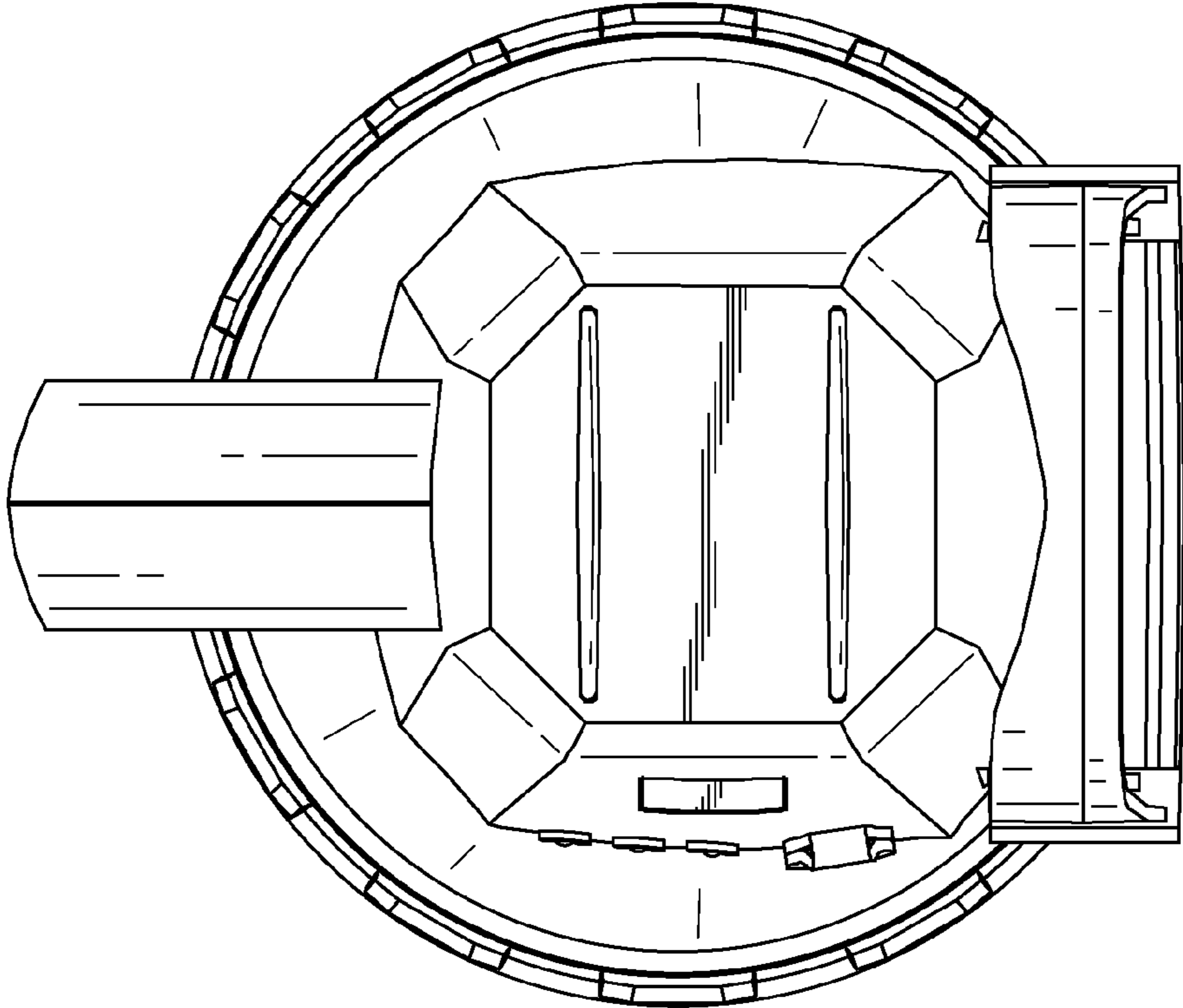


FIG. 4

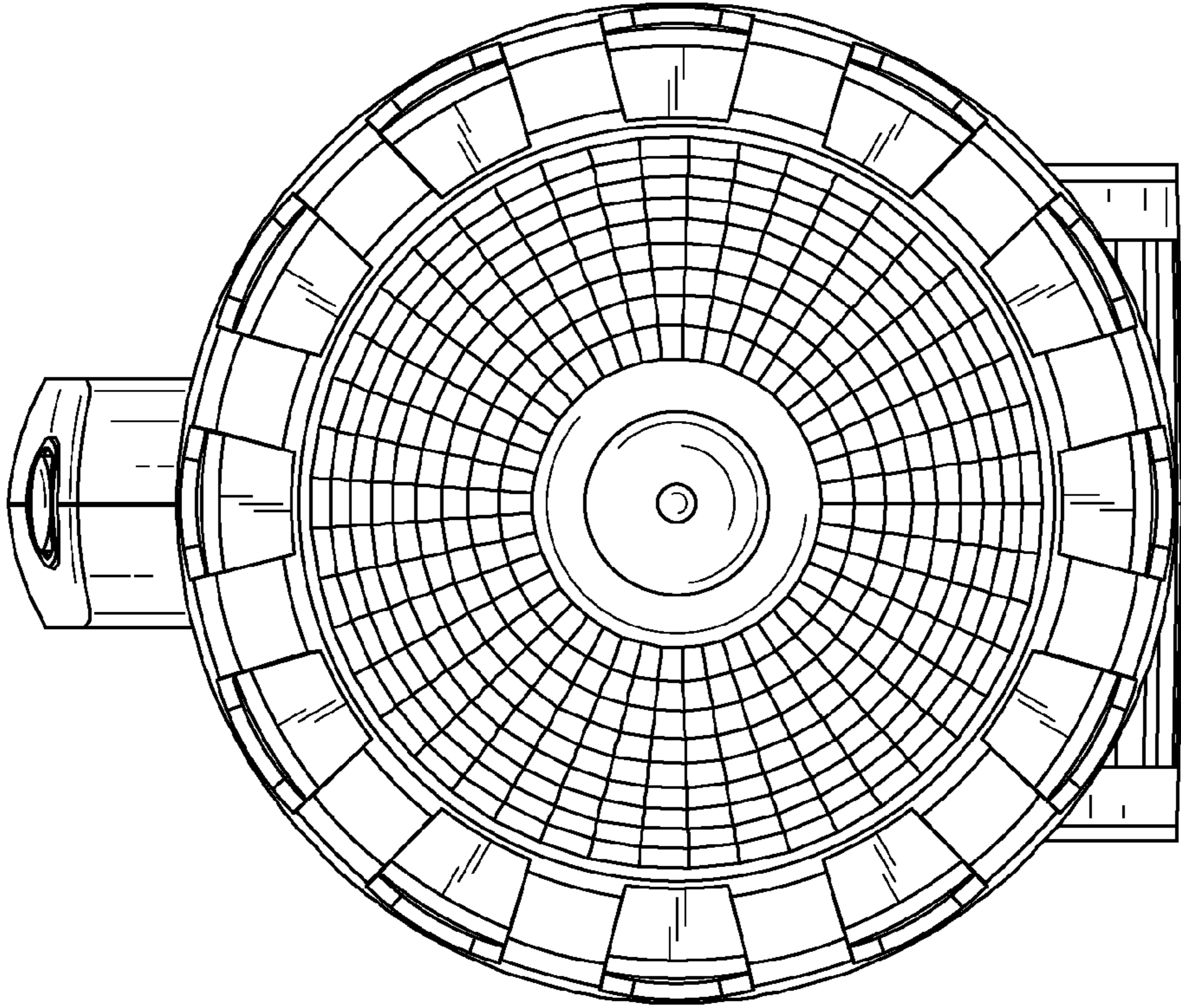


FIG. 3

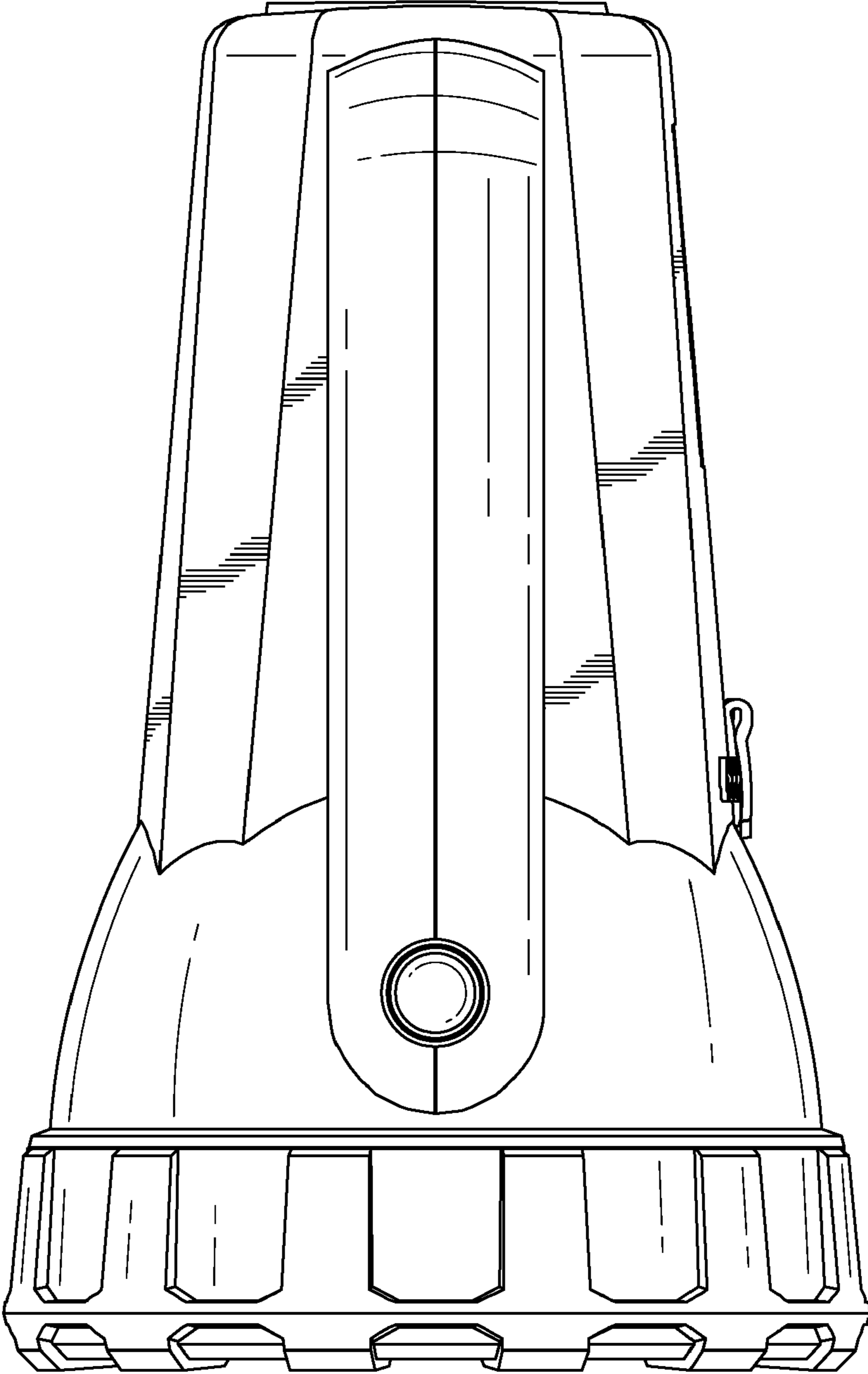


FIG. 5

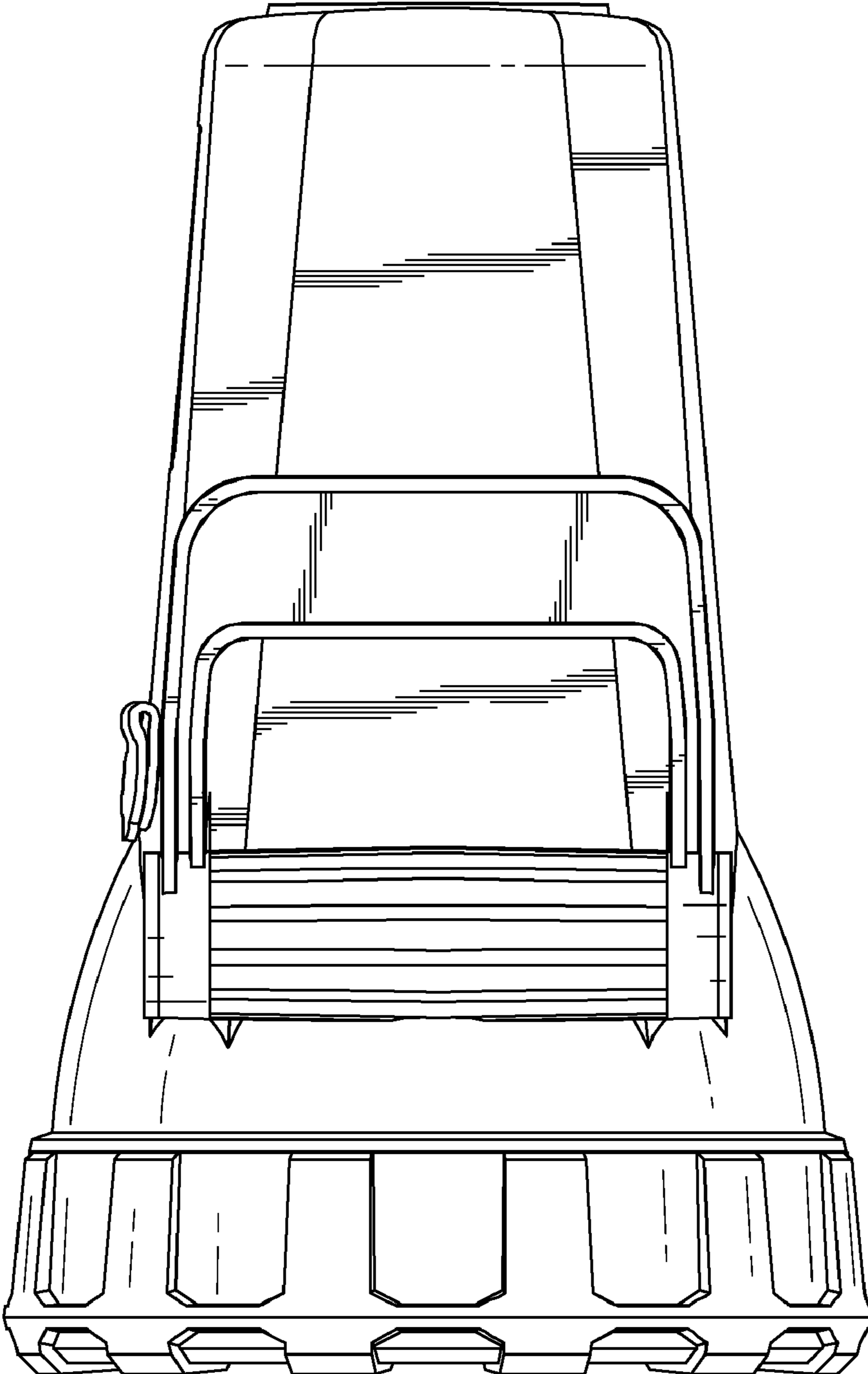


FIG. 6

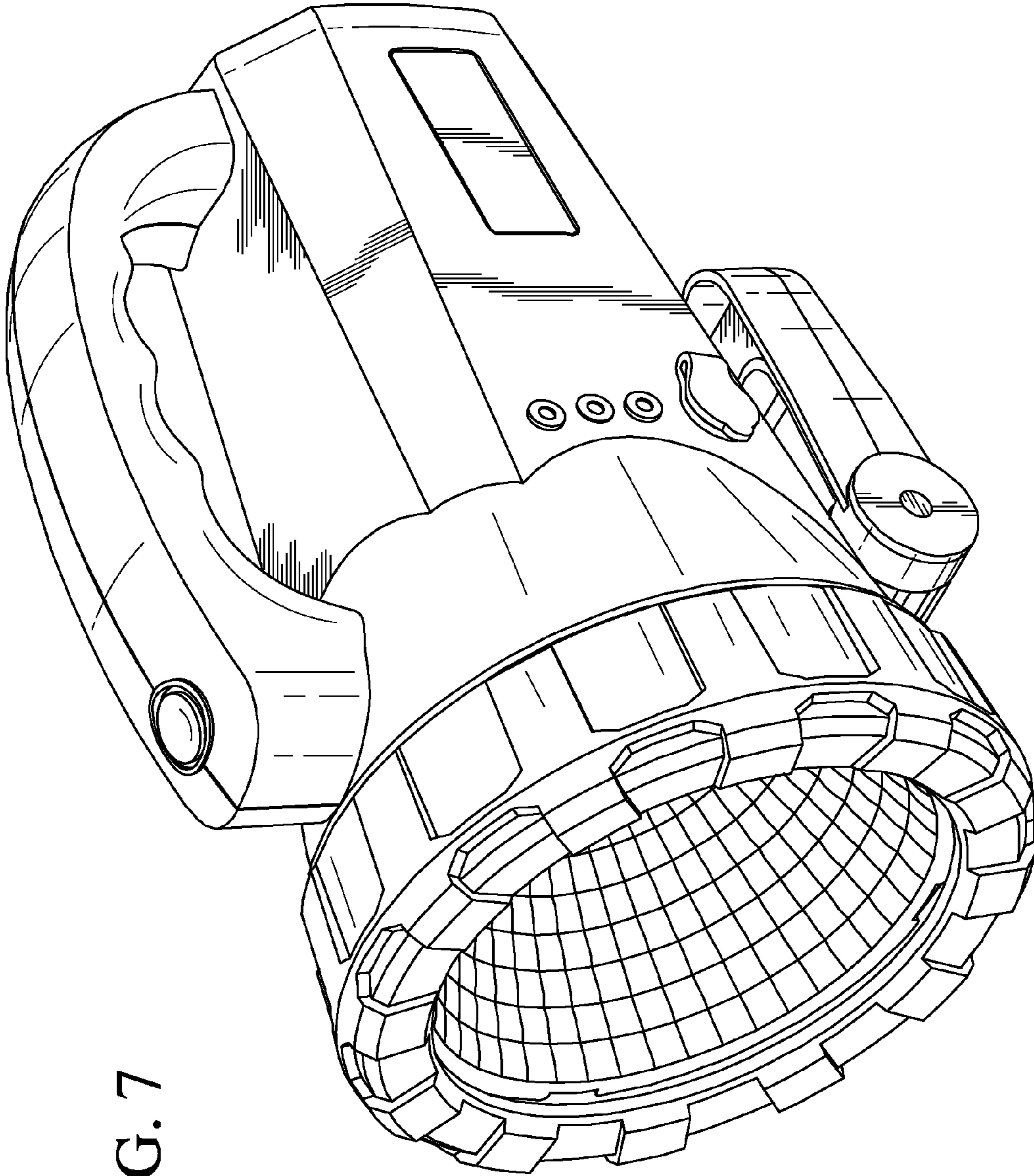


FIG. 7

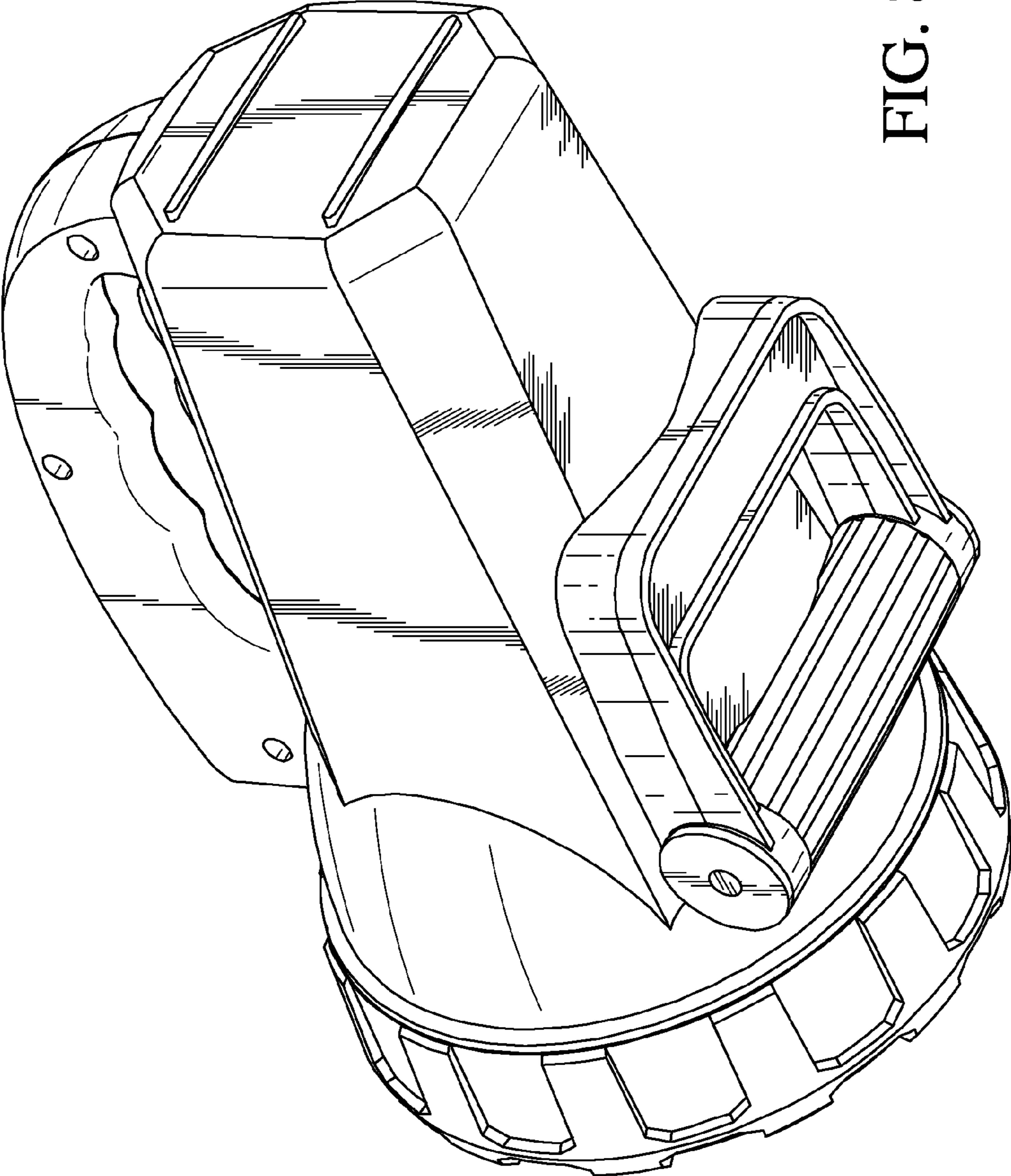


FIG. 8