



US00D646816S

(12) **United States Design Patent**
Wang

(10) **Patent No.:** **US D646,816 S**

(45) **Date of Patent:** **** Oct. 11, 2011**

(54) **FLASHLIGHT**

(75) Inventor: **Ching-Hsiang Wang**, Tainan (TW)

(73) Assignee: **Day Sun Industrial Corp.**, Tainan (TW)

(**) Term: **14 Years**

(21) Appl. No.: **29/383,066**

(22) Filed: **Jan. 12, 2011**

(51) **LOC (9) Cl.** **26-02**

(52) **U.S. Cl.** **D26/45**

(58) **Field of Classification Search** D26/37,
D26/38, 44, 45, 46, 49, 50; 362/157, 158,
362/184, 183, 192, 193, 194-208

See application file for complete search history.

(56) **References Cited**

U.S. PATENT DOCUMENTS

D436,200 S *	1/2001	Cheong et al.	D26/45
D561,923 S *	2/2008	Hsu	D26/45
D565,767 S *	4/2008	Ben-Moshe	D26/45
D584,438 S *	1/2009	Crawford et al.	D26/46
D603,540 S *	11/2009	Shum et al.	D26/45

D623,323 S *	9/2010	Kung	D26/45
D628,326 S *	11/2010	Ng	D26/45
D629,938 S *	12/2010	Yuen	D26/45

* cited by examiner

Primary Examiner — Ian Simmons

Assistant Examiner — Carissa C Fitts

(74) *Attorney, Agent, or Firm* — Alan Kamrath; Kamrath & Associates PA

(57) **CLAIM**

The ornamental design for a flashlight, as shown and described.

DESCRIPTION

FIG. 1 is a perspective view of a flashlight showing my new design;

FIG. 2 is a front side elevational view thereof;

FIG. 3 is a rear side elevational view thereof;

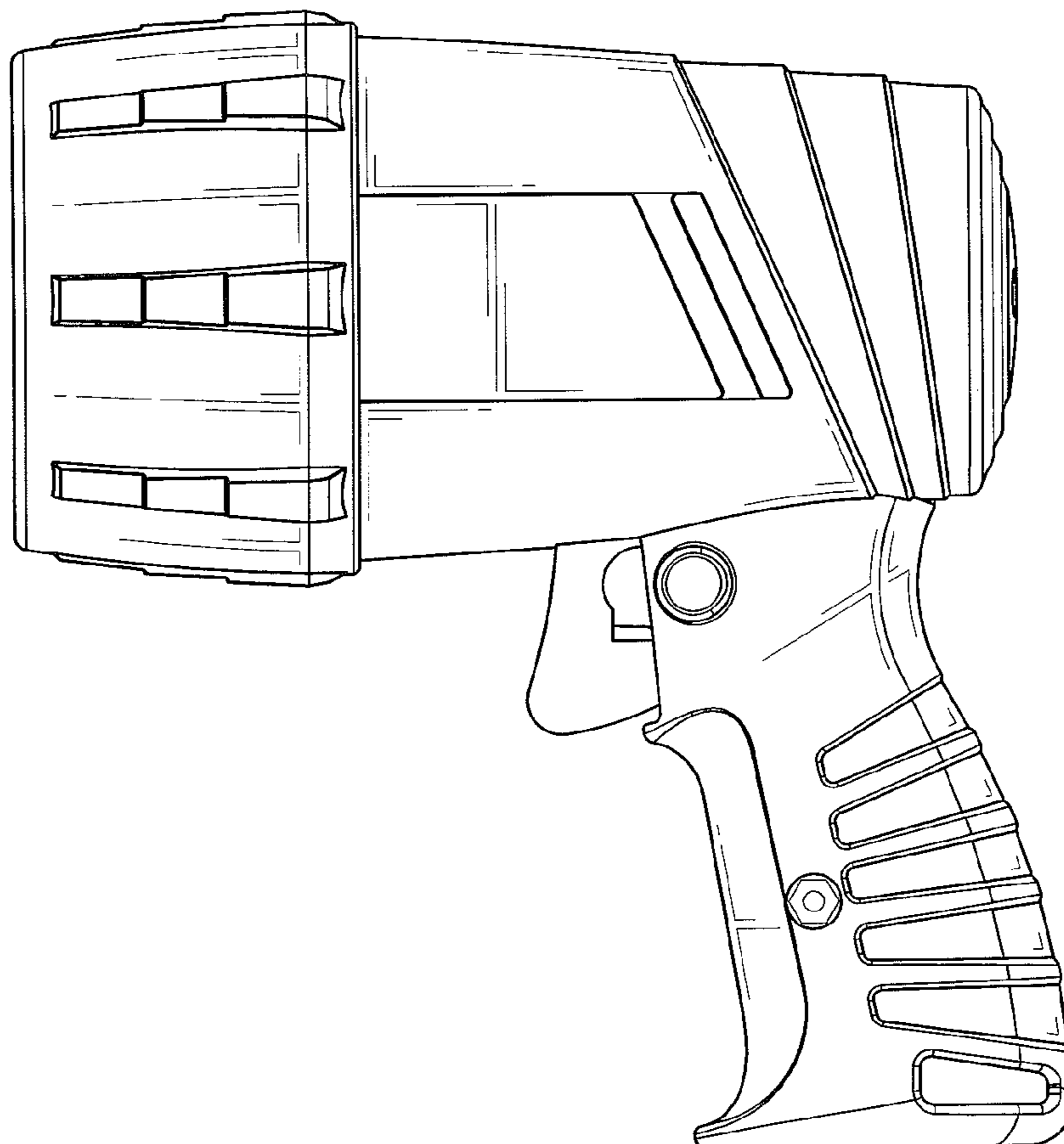
FIG. 4 is a left side elevational view thereof;

FIG. 5 is a right side elevational view thereof;

FIG. 6 is a top plan view thereof; and,

FIG. 7 is a bottom plan view thereof.

1 Claim, 6 Drawing Sheets



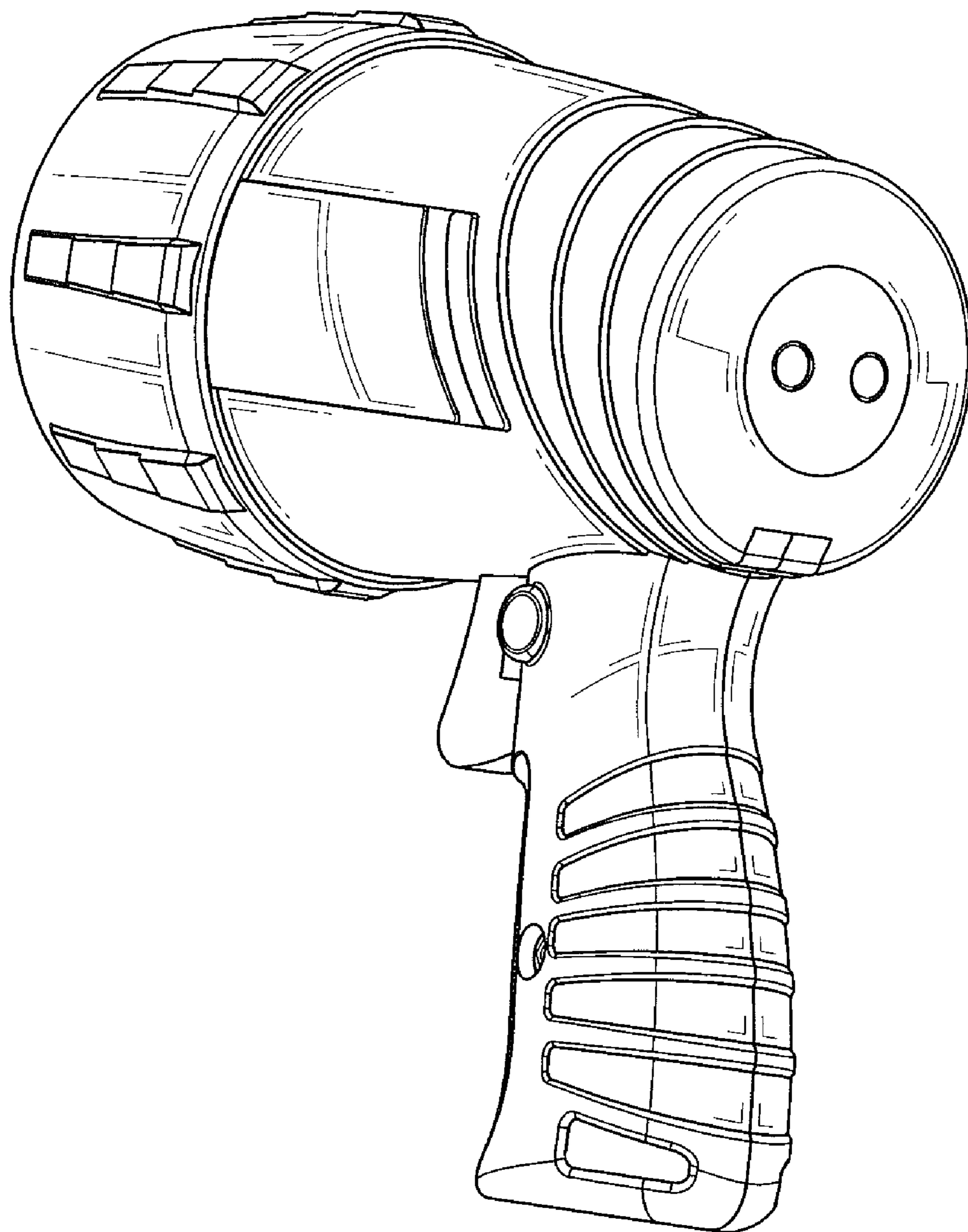


FIG. 1

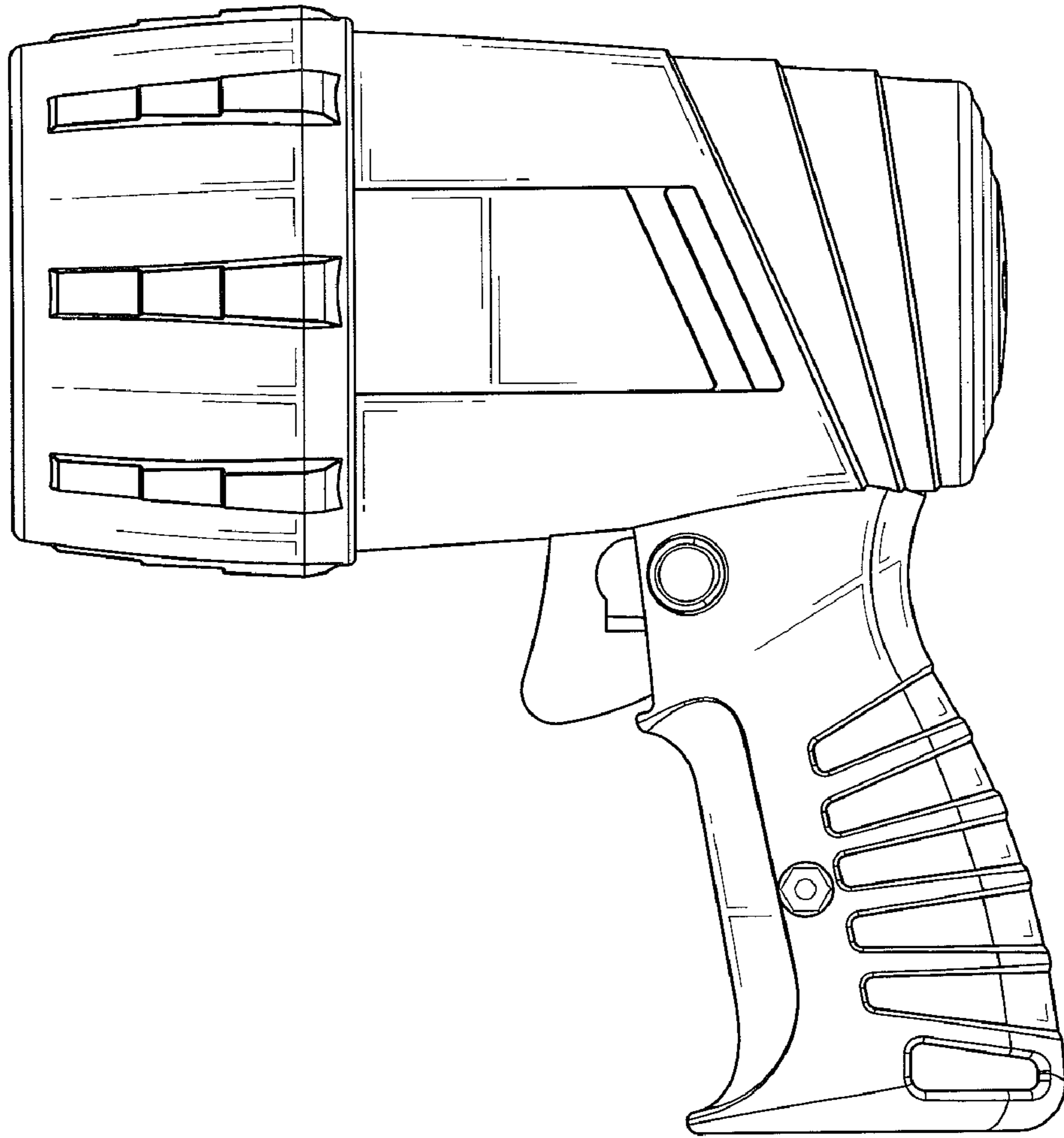


FIG. 2

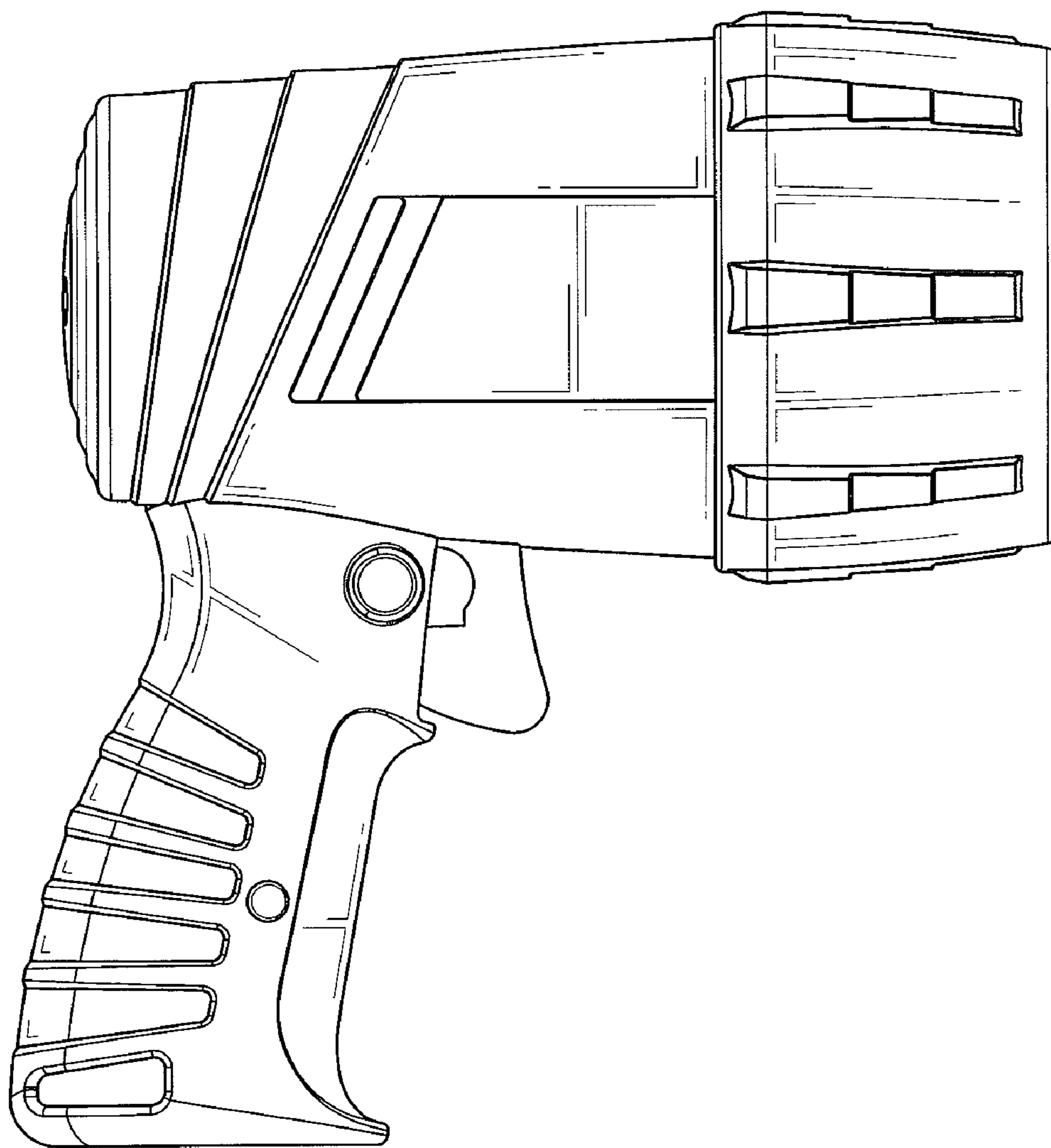


FIG. 3

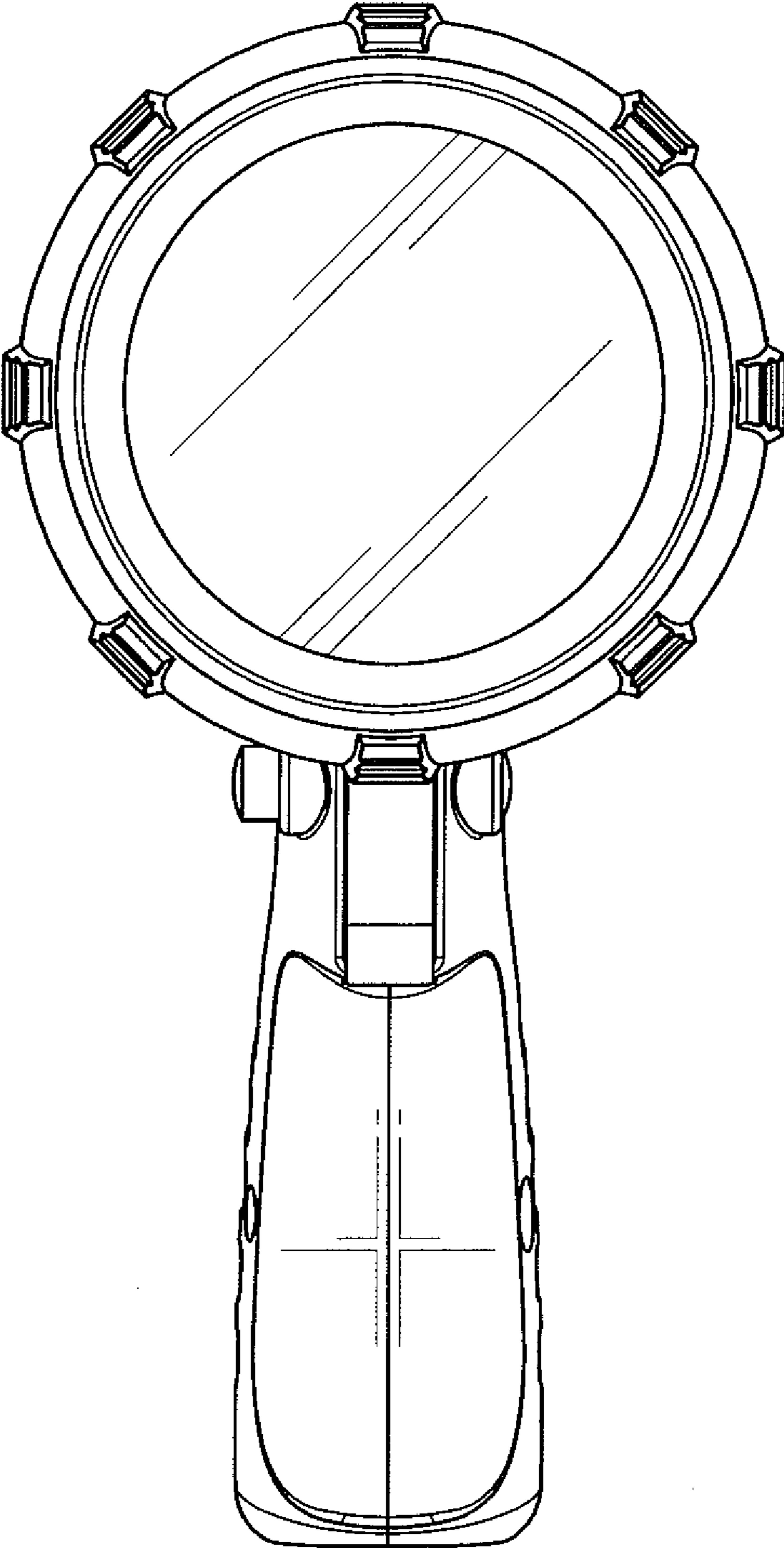


FIG. 4

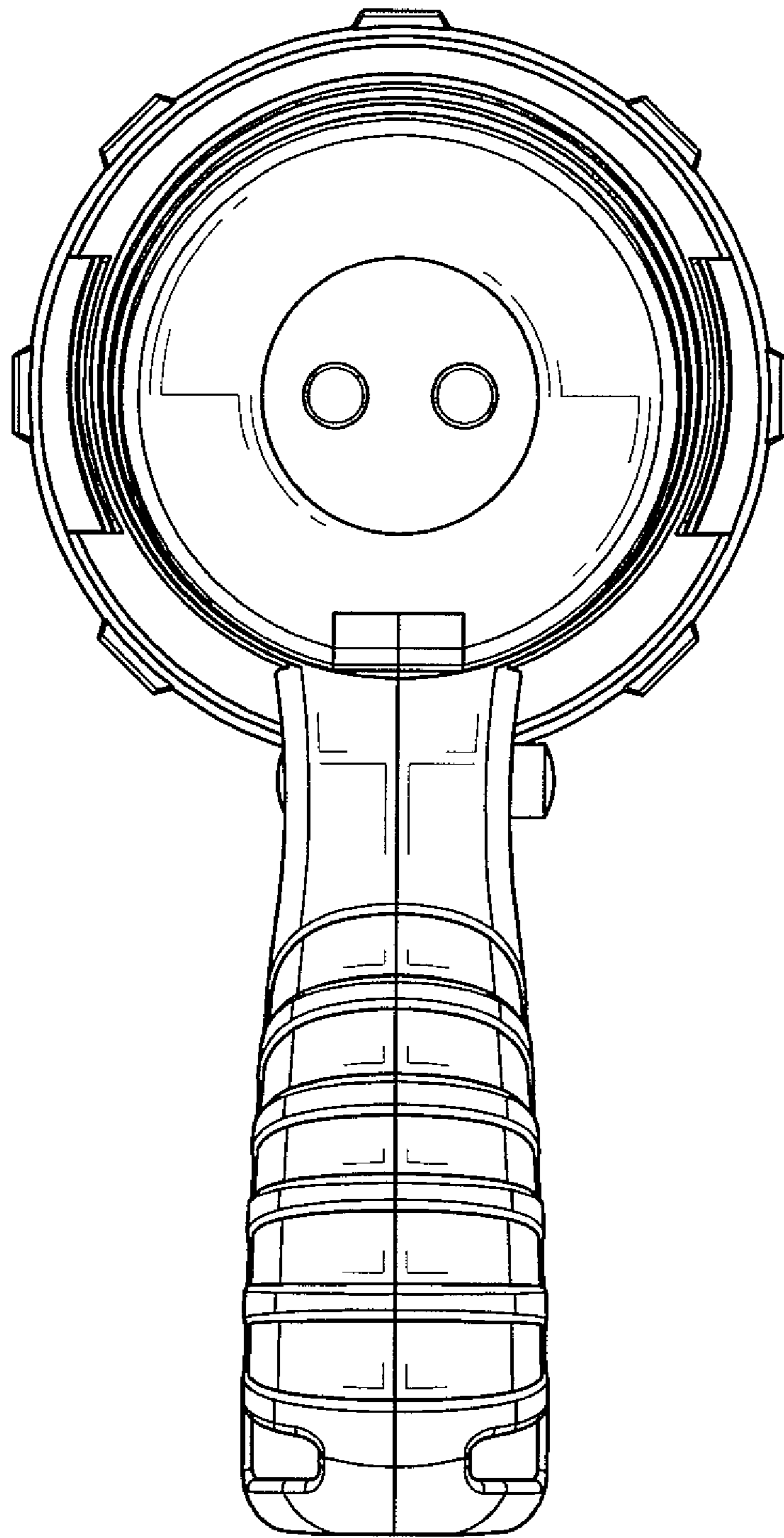


FIG. 5

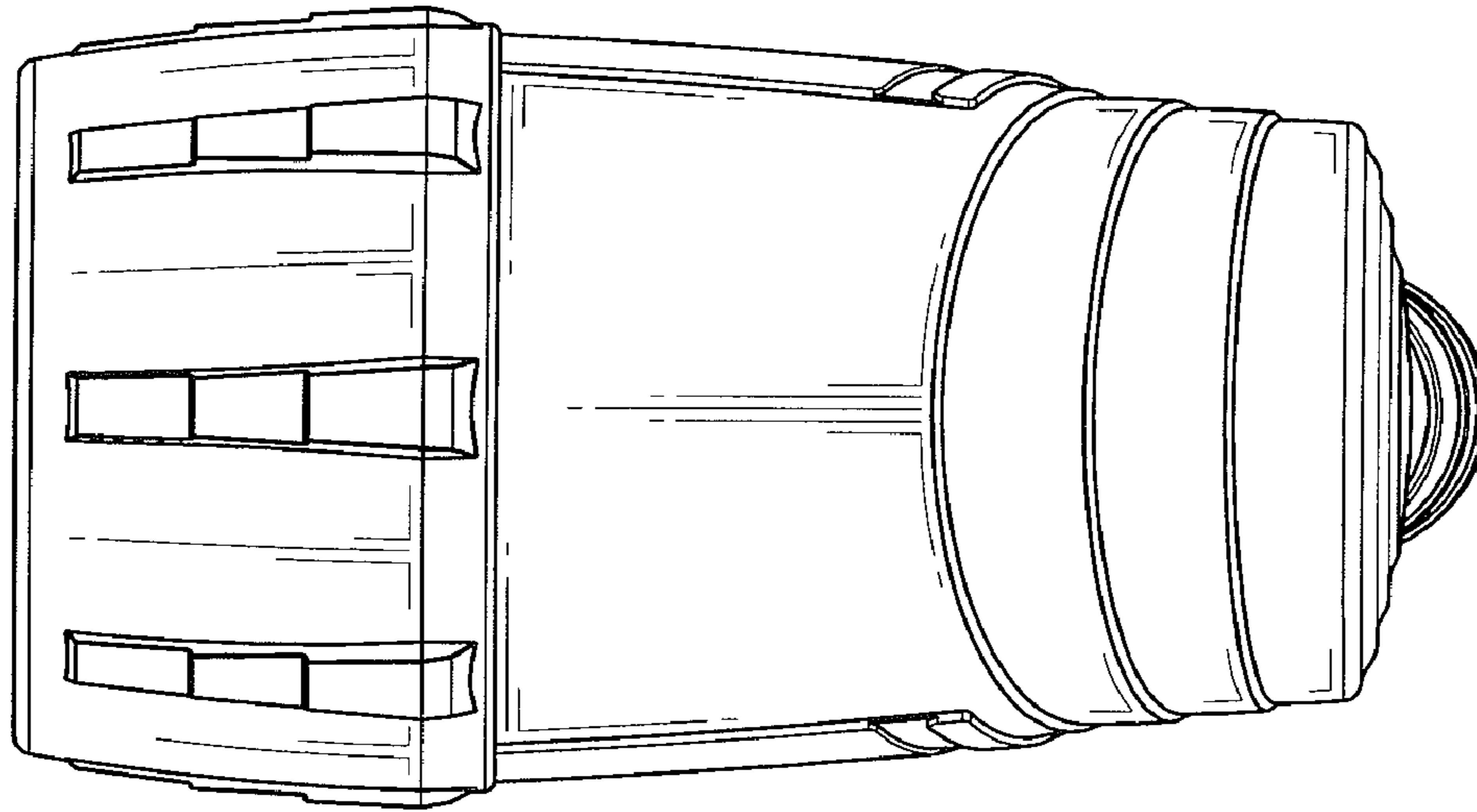


FIG. 6

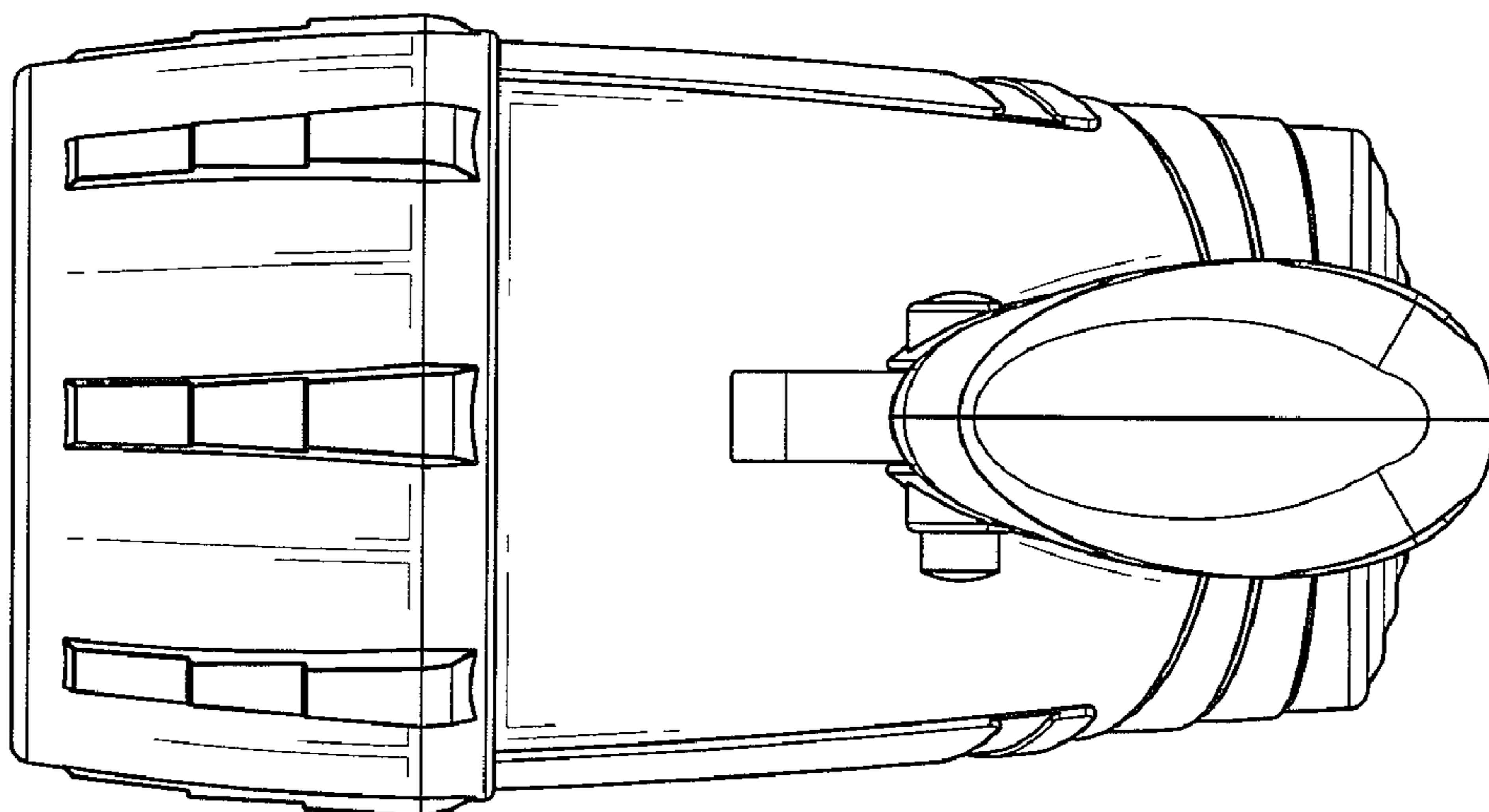


FIG. 7