



US00D646815S

(12) **United States Design Patent**  
**Goplen**

(10) **Patent No.:** **US D646,815 S**

(45) **Date of Patent:** **\*\* Oct. 11, 2011**

(54) **TAILLIGHT FOR A VEHICLE**

**FOREIGN PATENT DOCUMENTS**

(75) Inventor: **Erik Goplen**, Woodland Hills, CA (US)

WO WO DM/064527 12/2003

WO WO DM/067928 1/2006

WO WO DM/071790 11/2009

(73) Assignee: **Bayerische Motoren Werke Aktiengesellschaft**, Munich (DE)

\* cited by examiner

(\*\*) Term: **14 Years**

*Primary Examiner* — Marcus Jackson

(74) *Attorney, Agent, or Firm* — Crowell & Moring LLP

(21) Appl. No.: **29/376,444**

(57) **CLAIM**

The ornamental design for a taillight for a vehicle, as shown and described.

(22) Filed: **Oct. 7, 2010**

**DESCRIPTION**

(30) **Foreign Application Priority Data**

Apr. 8, 2010 (DE) ..... 402010002135

(51) **LOC (9) Cl.** ..... **26-06**

(52) **U.S. Cl.** ..... **D26/28**

(58) **Field of Classification Search** ..... D26/28–36;  
362/459–468, 475–478, 485–487

See application file for complete search history.

FIG. 1 is a left side perspective view of a first embodiment of a taillight for a vehicle according to my design;

FIG. 2 is a right elevated perspective view thereof;

FIG. 3 is a front view thereof;

FIG. 4 is a left side view thereof; and

FIG. 5 is a top view thereof.

FIG. 6 is a right side perspective view of a second embodiment of the taillight for a vehicle according to my design, with the taillight for a vehicle for the opposite side of the vehicle being depicted in the first embodiment;

FIG. 7 is a left elevated perspective view thereof;

FIG. 8 is a front view thereof;

FIG. 9 is a right side view thereof; and,

FIG. 10 is a top view thereof.

The broken lines are for illustrative purposes only and form no part of the claimed design.

(56) **References Cited**

**U.S. PATENT DOCUMENTS**

D549,363 S \* 8/2007 Pfeiffer ..... D26/28

D552,769 S \* 10/2007 Leclercq ..... D26/28

D553,268 S \* 10/2007 Pfeiffer ..... D26/28

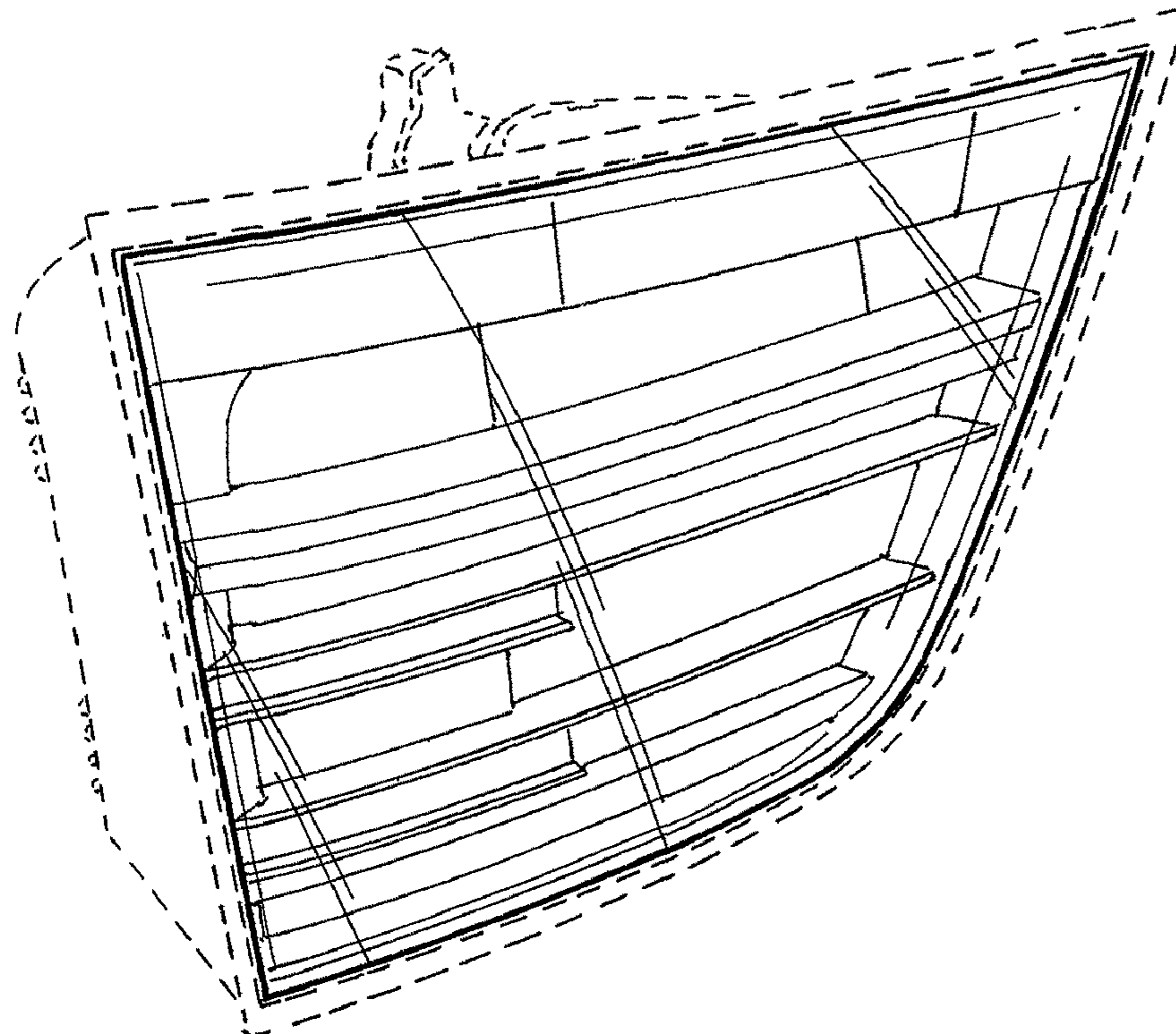
D560,292 S \* 1/2008 Sato ..... D26/28

D561,357 S \* 2/2008 Leclercq ..... D26/28

D570,015 S \* 5/2008 Hsu ..... D26/28

D605,793 S \* 12/2009 Weil ..... D26/28

**1 Claim, 6 Drawing Sheets**



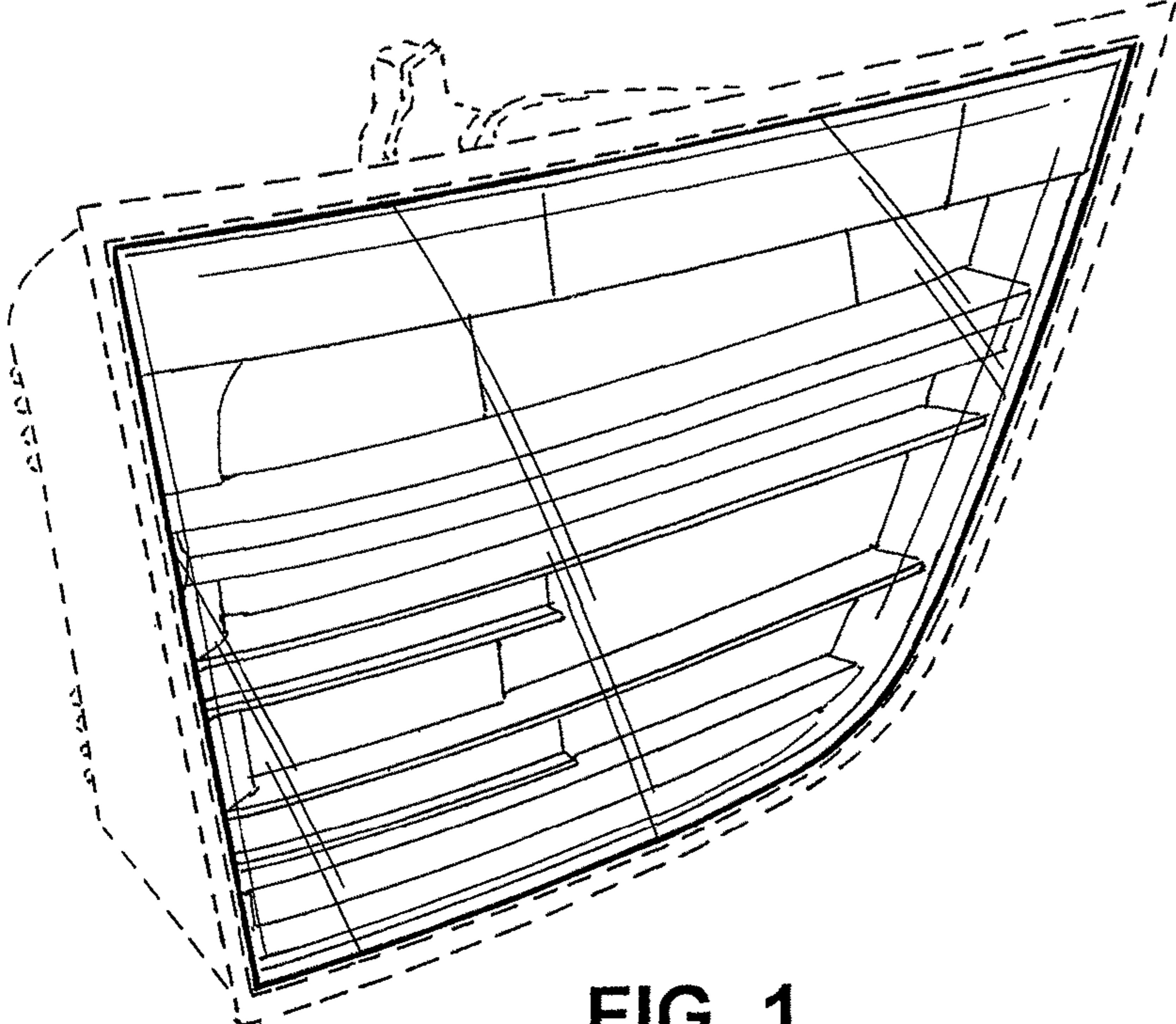


FIG. 1

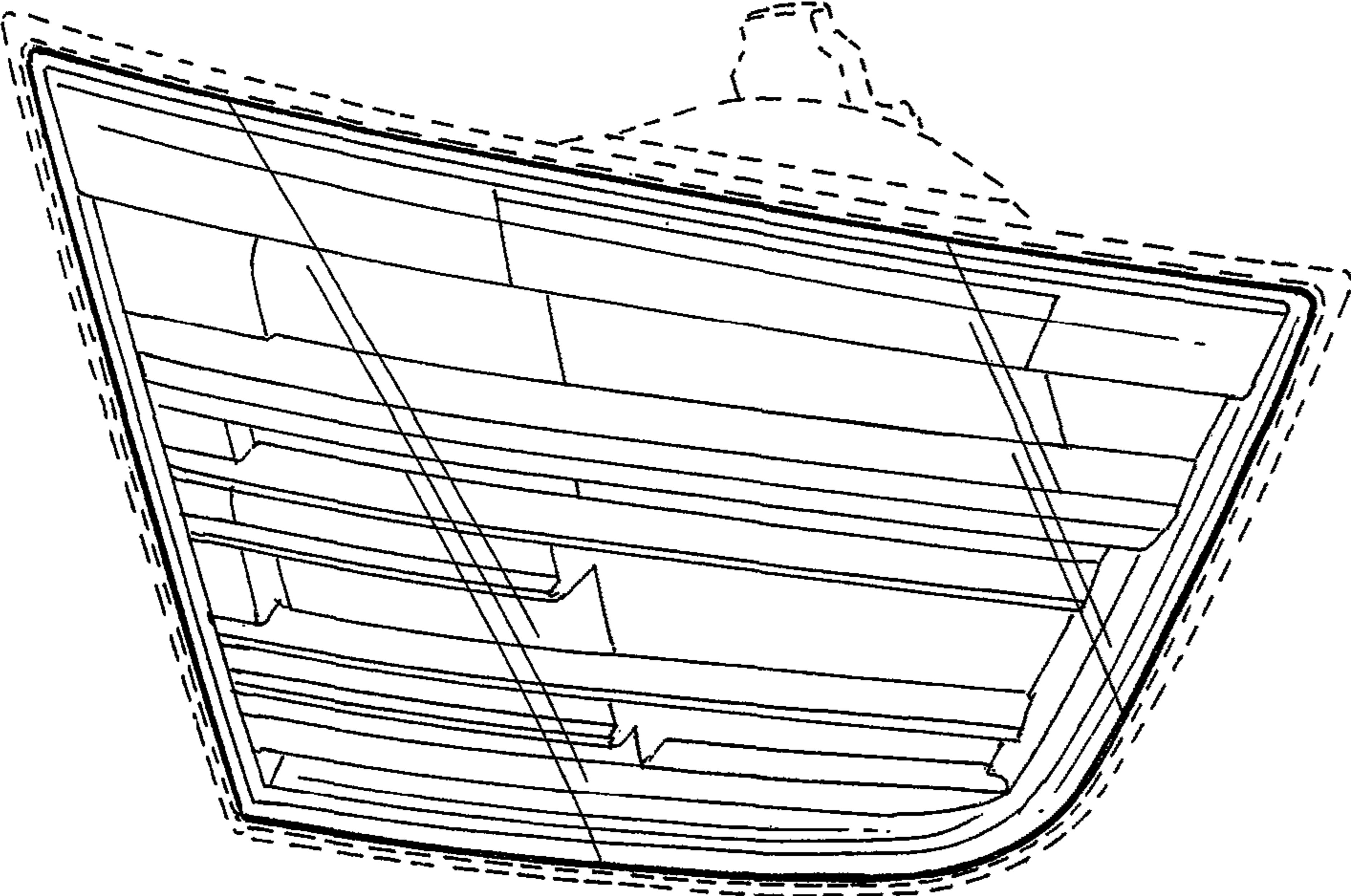


FIG. 2

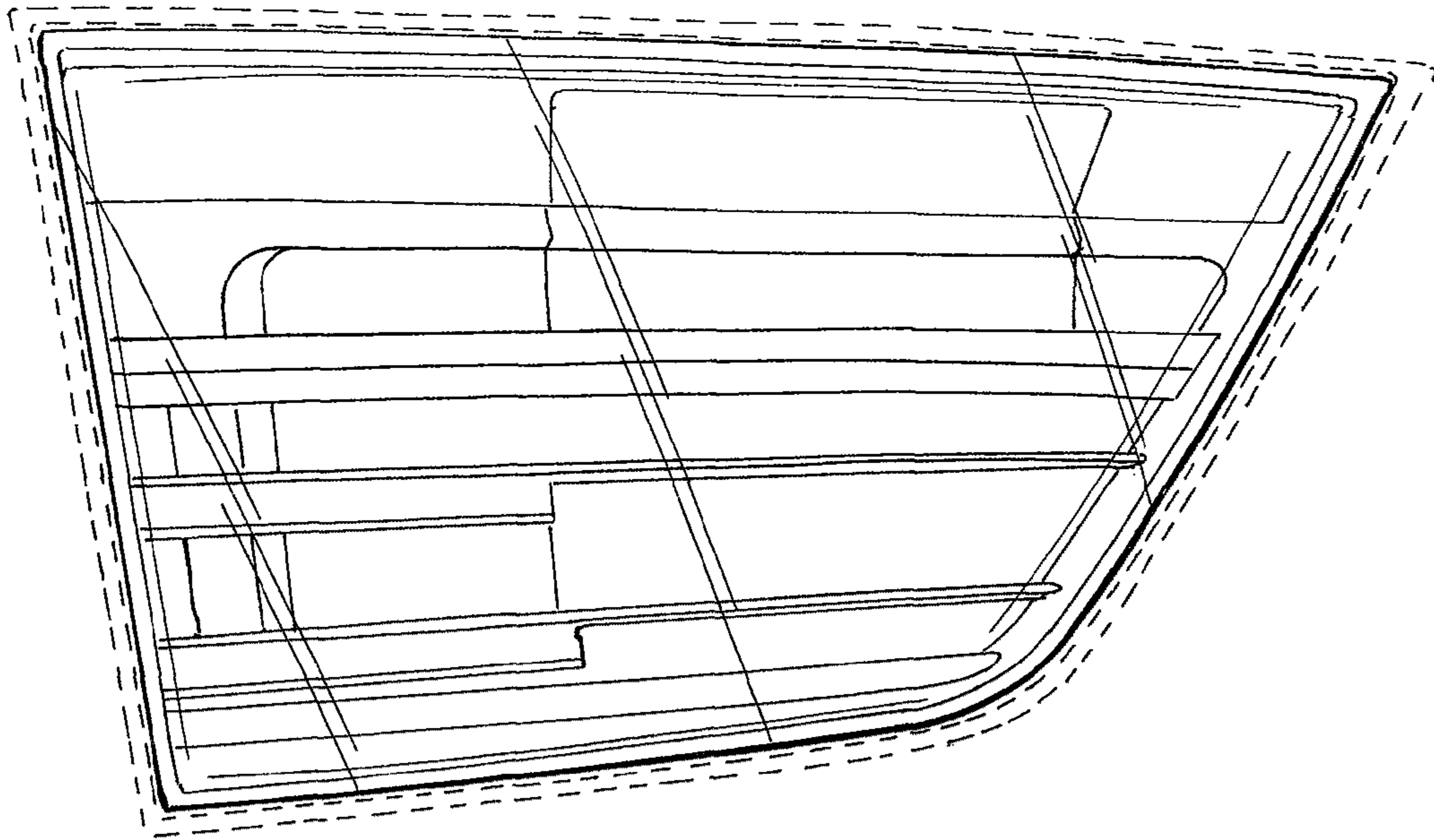


FIG. 3

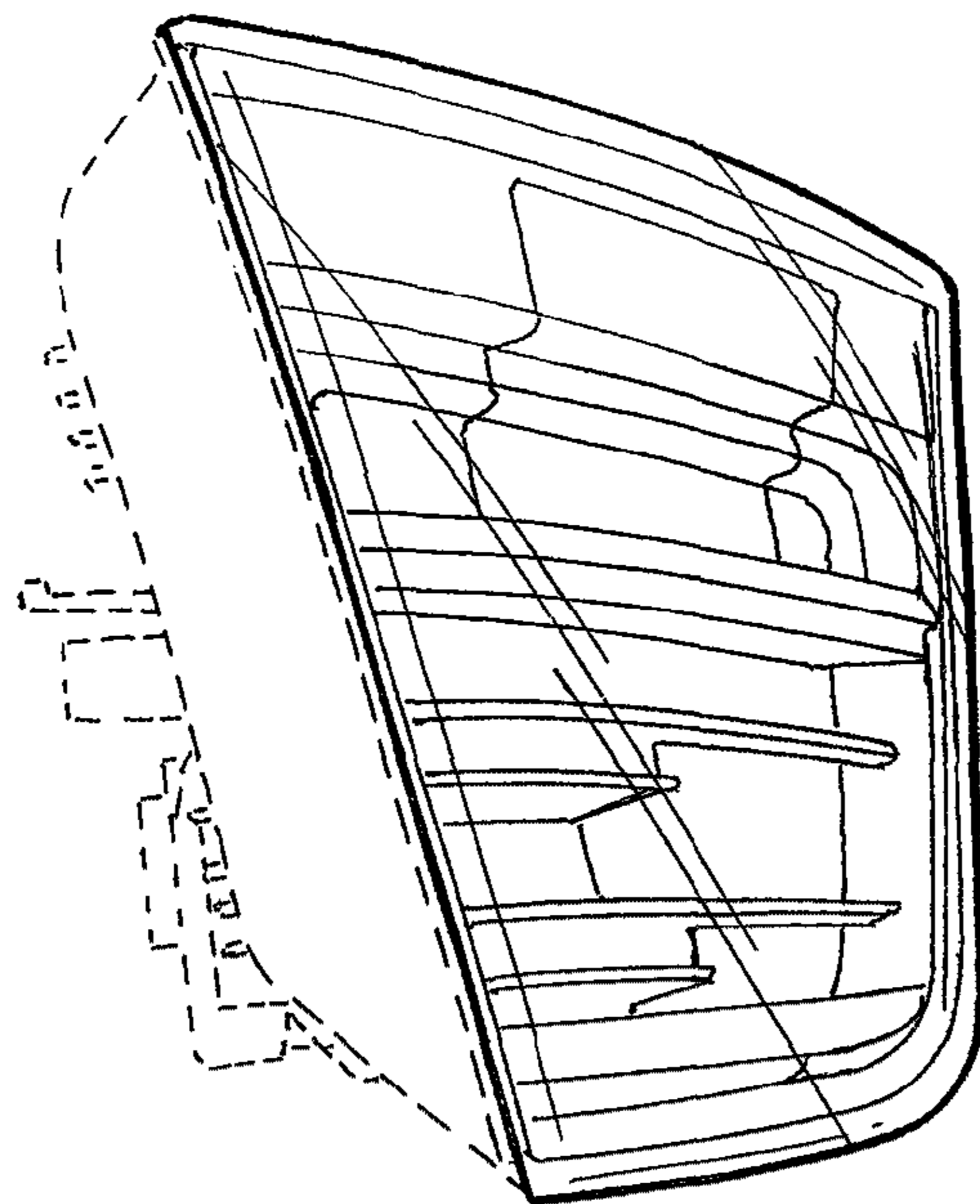


FIG. 4

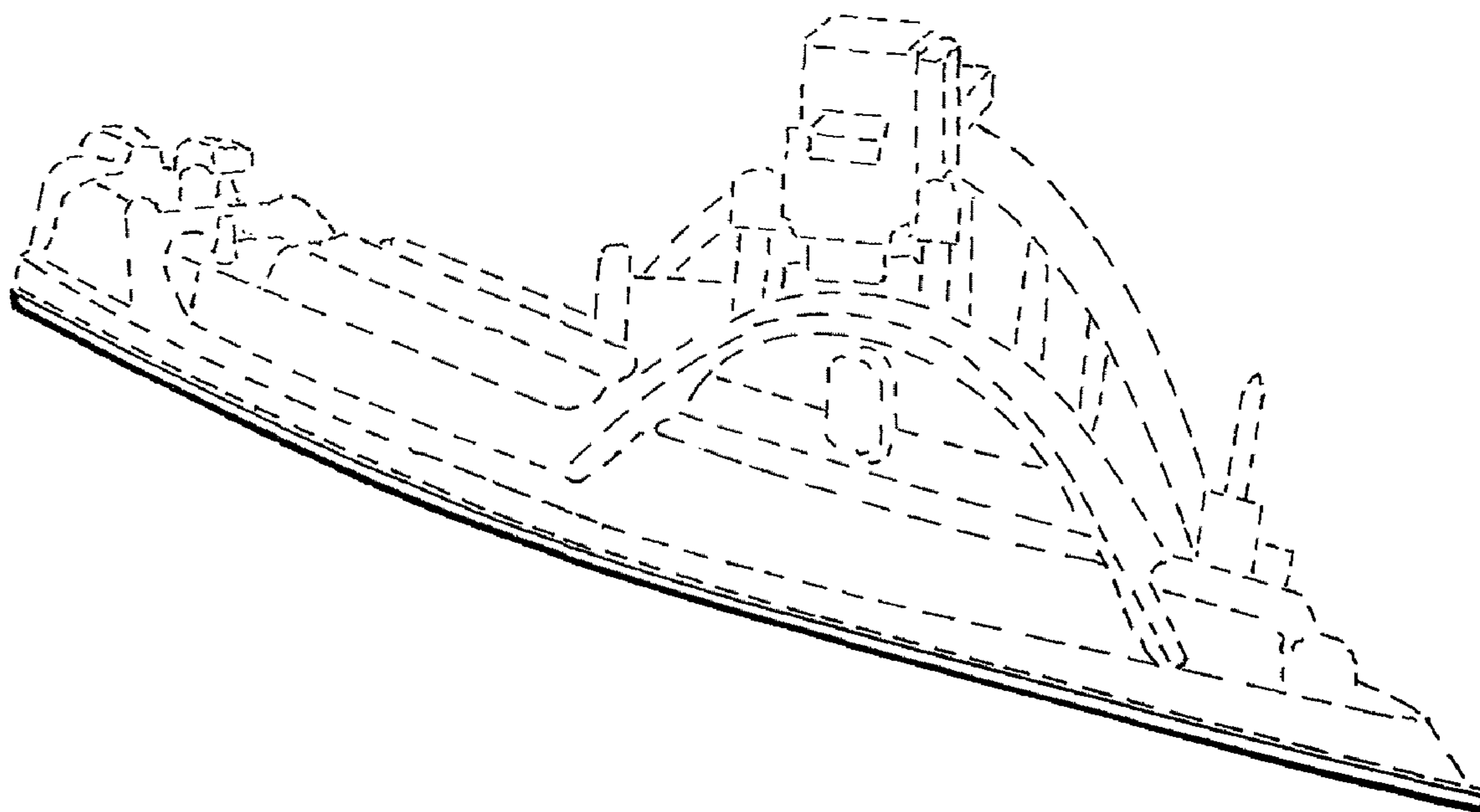


FIG. 5

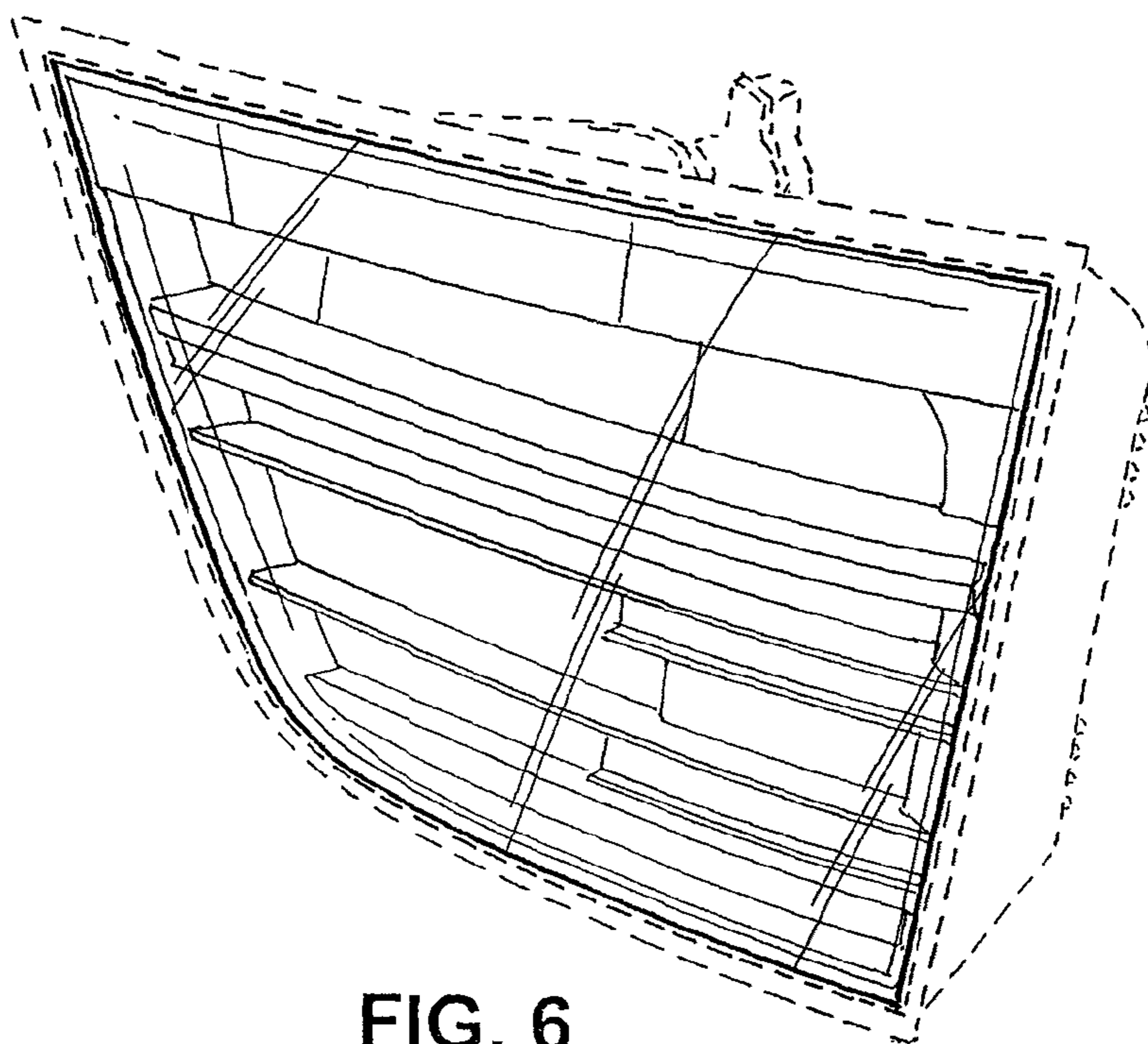


FIG. 6

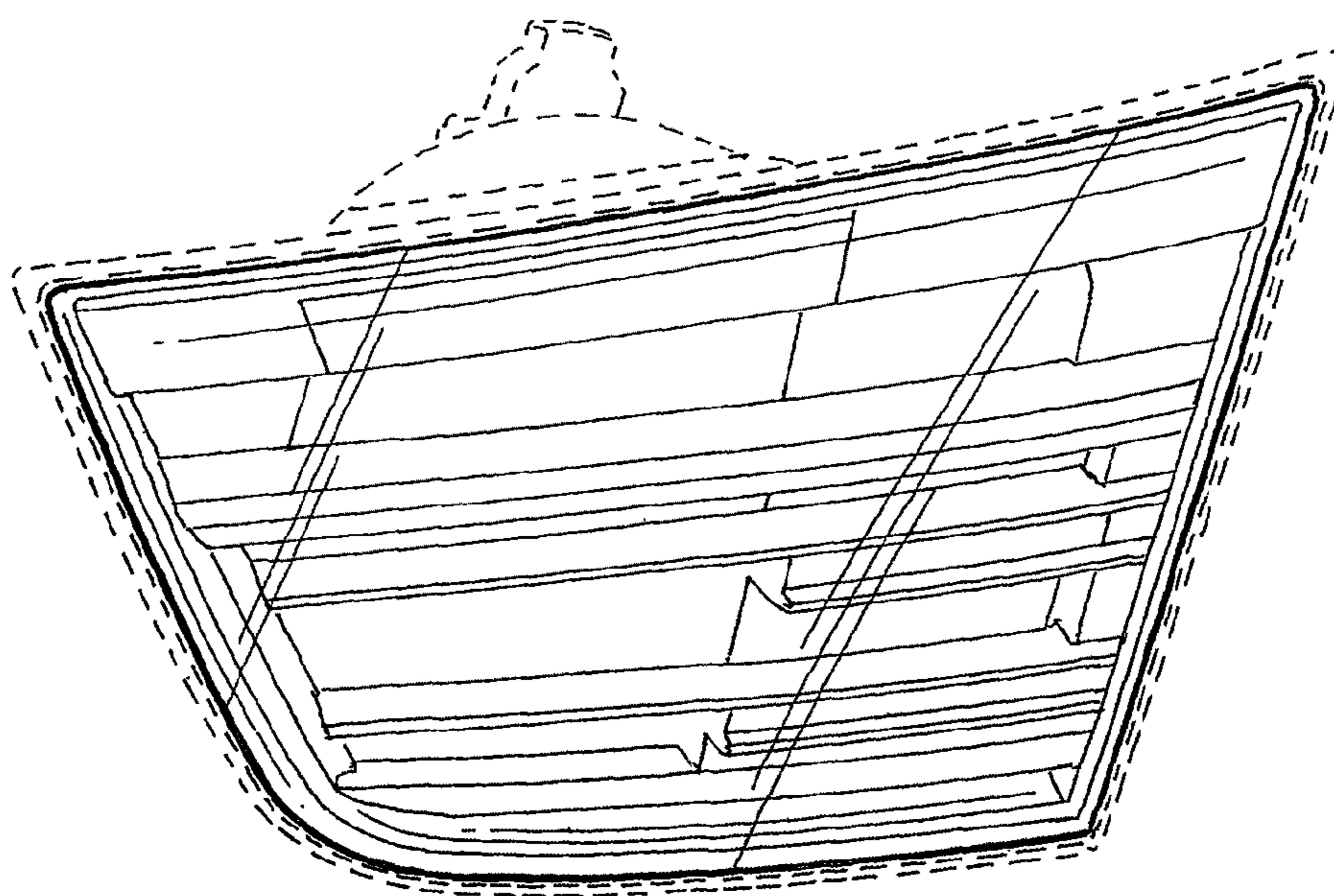


FIG. 7

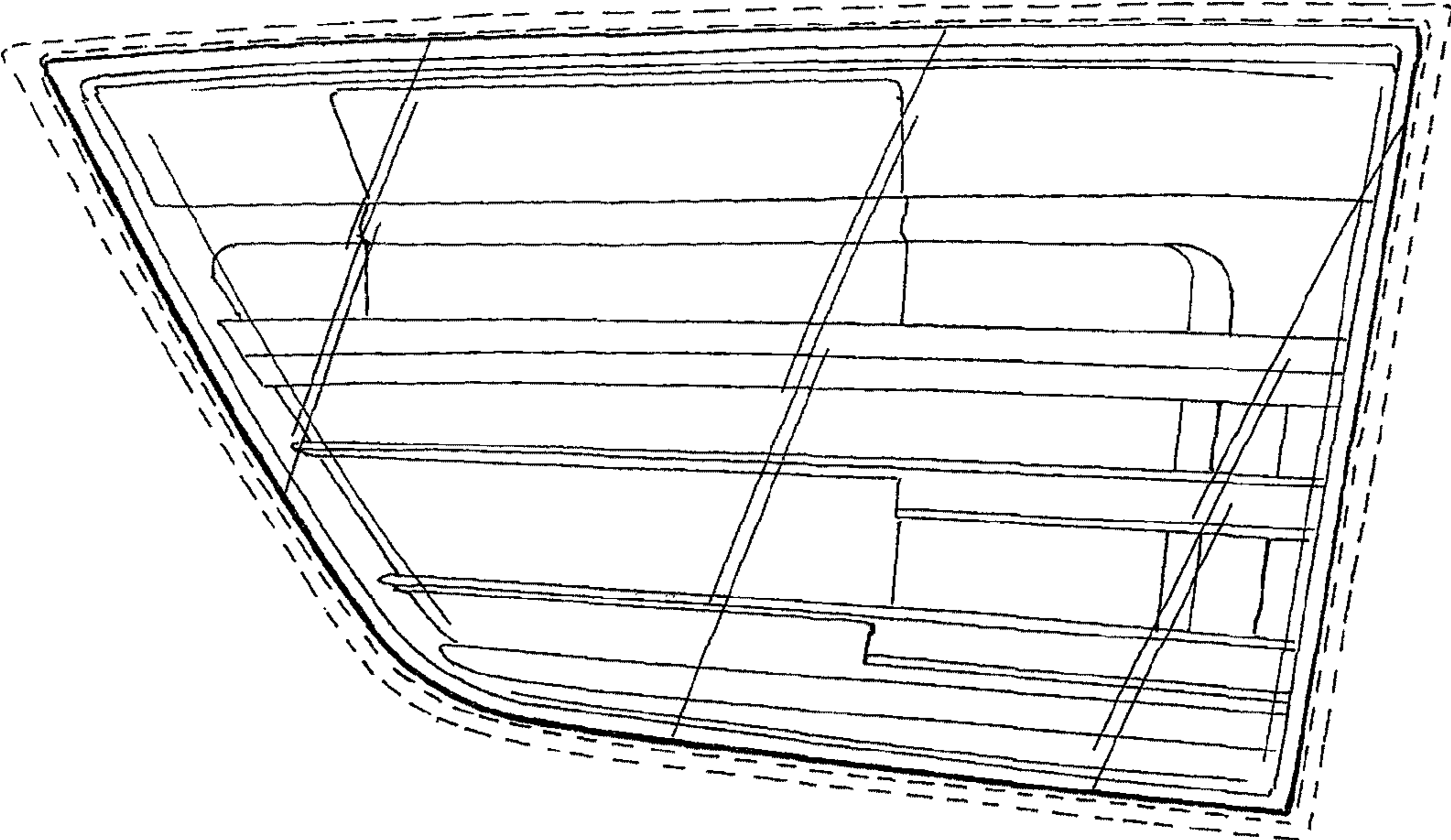


FIG. 8

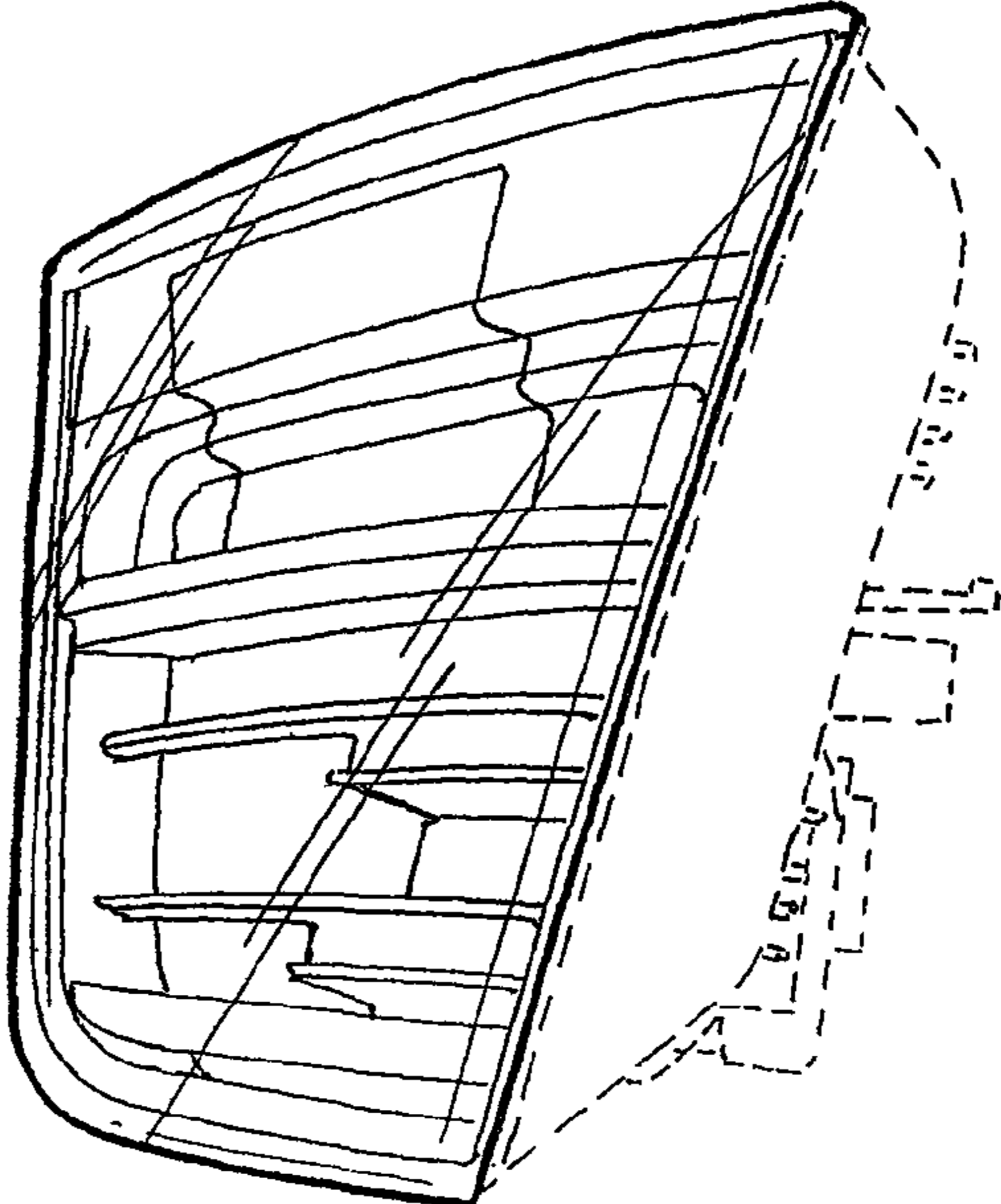


FIG. 9

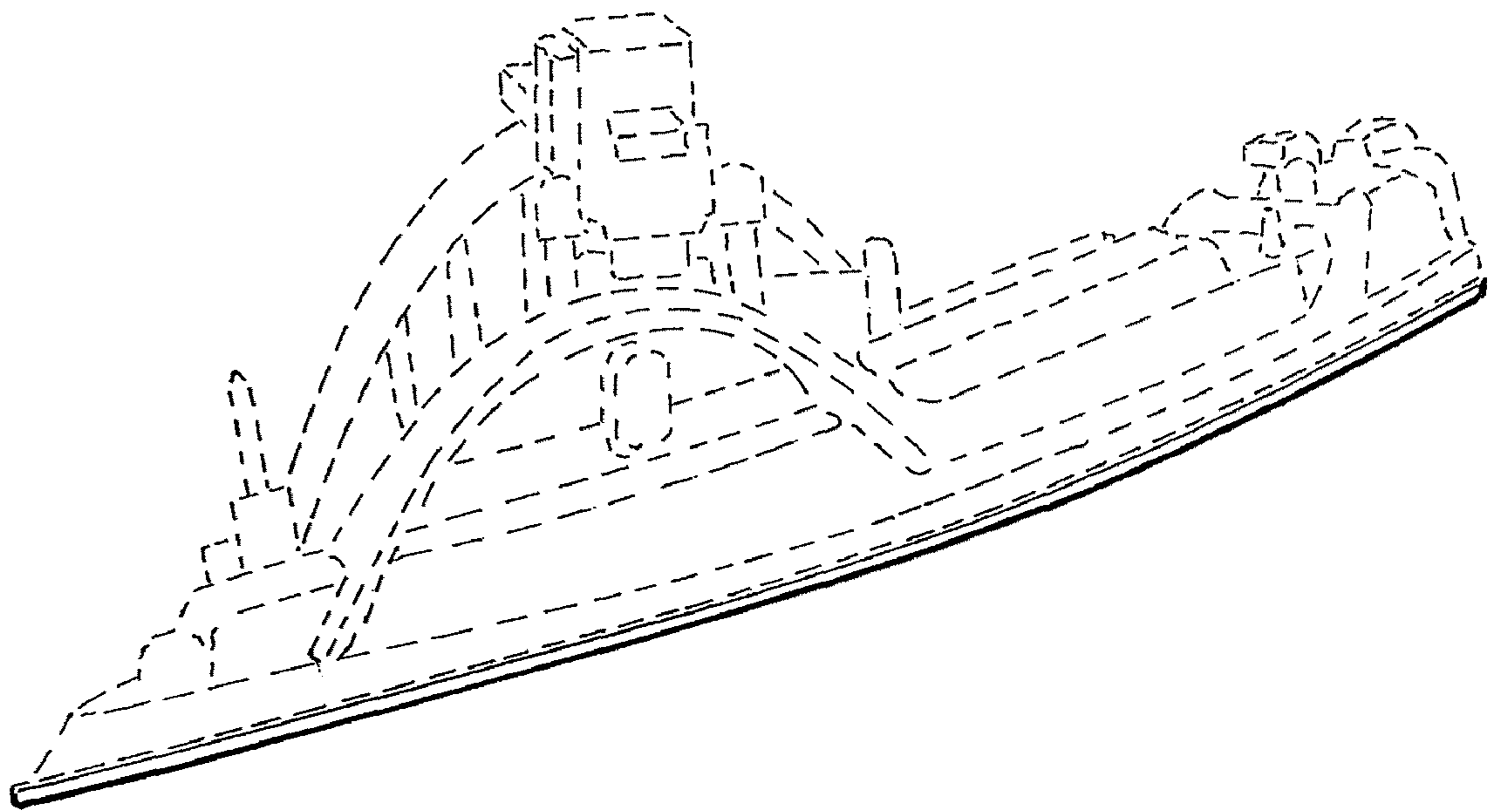


FIG. 10