



US00D646814S

(12) **United States Design Patent**
Goplen

(10) **Patent No.:** **US D646,814 S**

(45) **Date of Patent:** **** Oct. 11, 2011**

(54) **TAILLIGHT FOR A VEHICLE**

(74) *Attorney, Agent, or Firm* — Crowell & Moring LLP

(75) Inventor: **Erik Goplen**, Woodland Hills, CA (US)

(73) Assignee: **Bayerische Motoren Werke Aktiengesellschaft**, Munich (DE)

(57) **CLAIM**

The ornamental design for a taillight for a vehicle, as shown and described.

(**) Term: **14 Years**

(21) Appl. No.: **29/376,442**

DESCRIPTION

(22) Filed: **Oct. 7, 2010**

(51) **LOC (9) Cl.** **26-06**

(52) **U.S. Cl.** **D26/28**

(58) **Field of Classification Search** D26/28–36;
362/459–468, 475–478, 485–487

See application file for complete search history.

FIG. 1 is a front perspective view of a first embodiment of a taillight for a vehicle according to my design;

FIG. 2 is a left side, elevated perspective view thereof;

FIG. 3 is a left side view thereof;

FIG. 4 is a front view thereof;

FIG. 5 is a top view thereof; and

FIG. 6 is a bottom view thereof.

FIG. 7 is a front perspective view of a second embodiment of the taillight for a vehicle according to my design, with the taillight for a vehicle for the opposite side of the vehicle being depicted in the first embodiment;

FIG. 8 is a right side, elevated perspective view thereof;

FIG. 9 is a right side view thereof;

FIG. 10 is a front view thereof;

FIG. 11 is a top view thereof; and,

FIG. 12 is a bottom view thereof.

The broken lines are for illustrative purposes only and form no part of the claimed design.

(56) **References Cited**

U.S. PATENT DOCUMENTS

D549,363 S *	8/2007	Pfeiffer	D26/28
D552,769 S *	10/2007	Leclercq	D26/28
D553,268 S *	10/2007	Pfeiffer	D26/28
D560,292 S *	1/2008	Sato	D26/28
D561,357 S *	2/2008	Leclercq	D26/28
D570,015 S *	5/2008	Hsu	D26/28
D605,793 S *	12/2009	Weil	D26/28

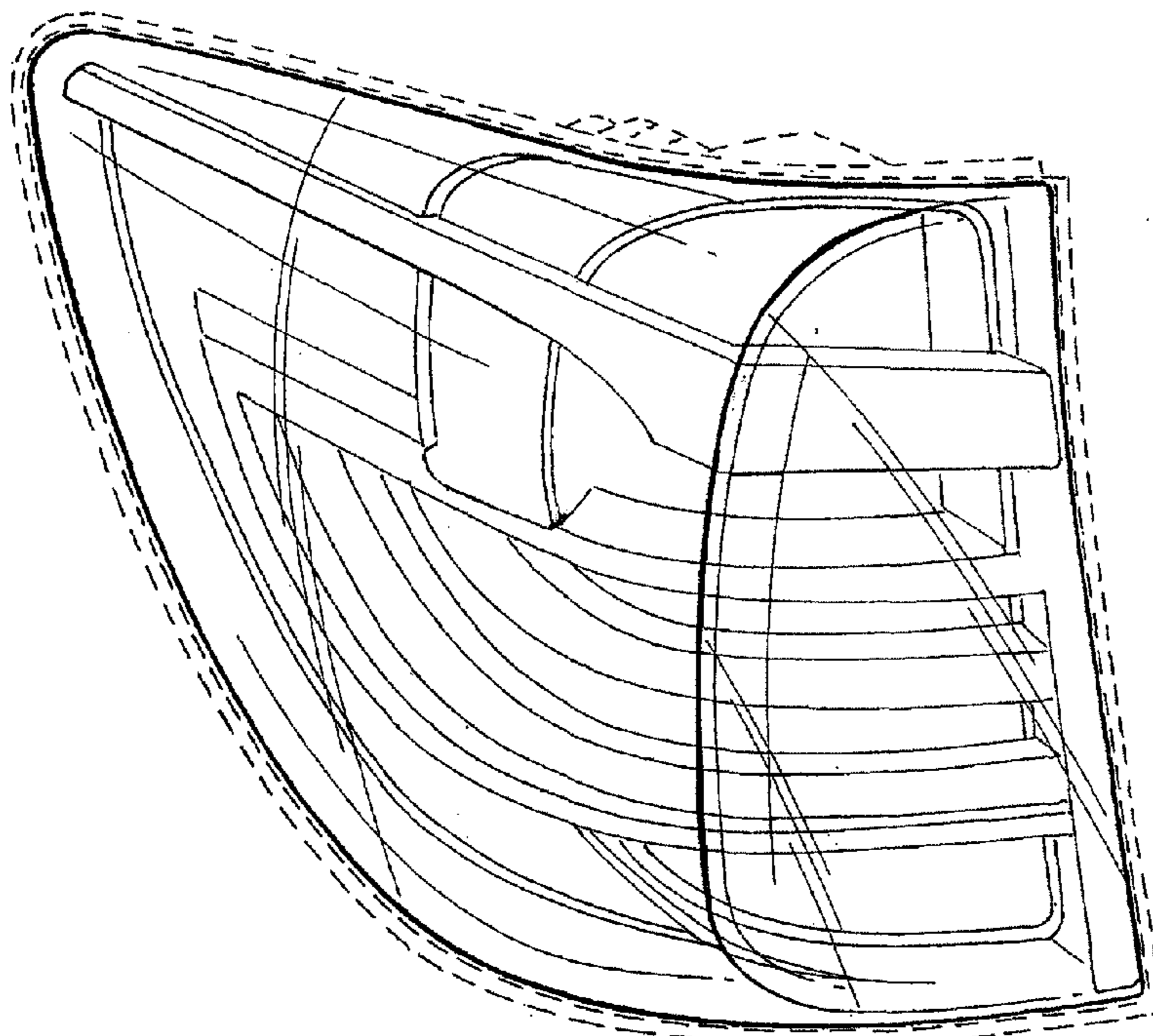
FOREIGN PATENT DOCUMENTS

WO	DM/064527	12/2003
WO	DM/067928	7/2006
WO	DM/071790	11/2009

* cited by examiner

Primary Examiner — Marcus Jackson

1 Claim, 6 Drawing Sheets



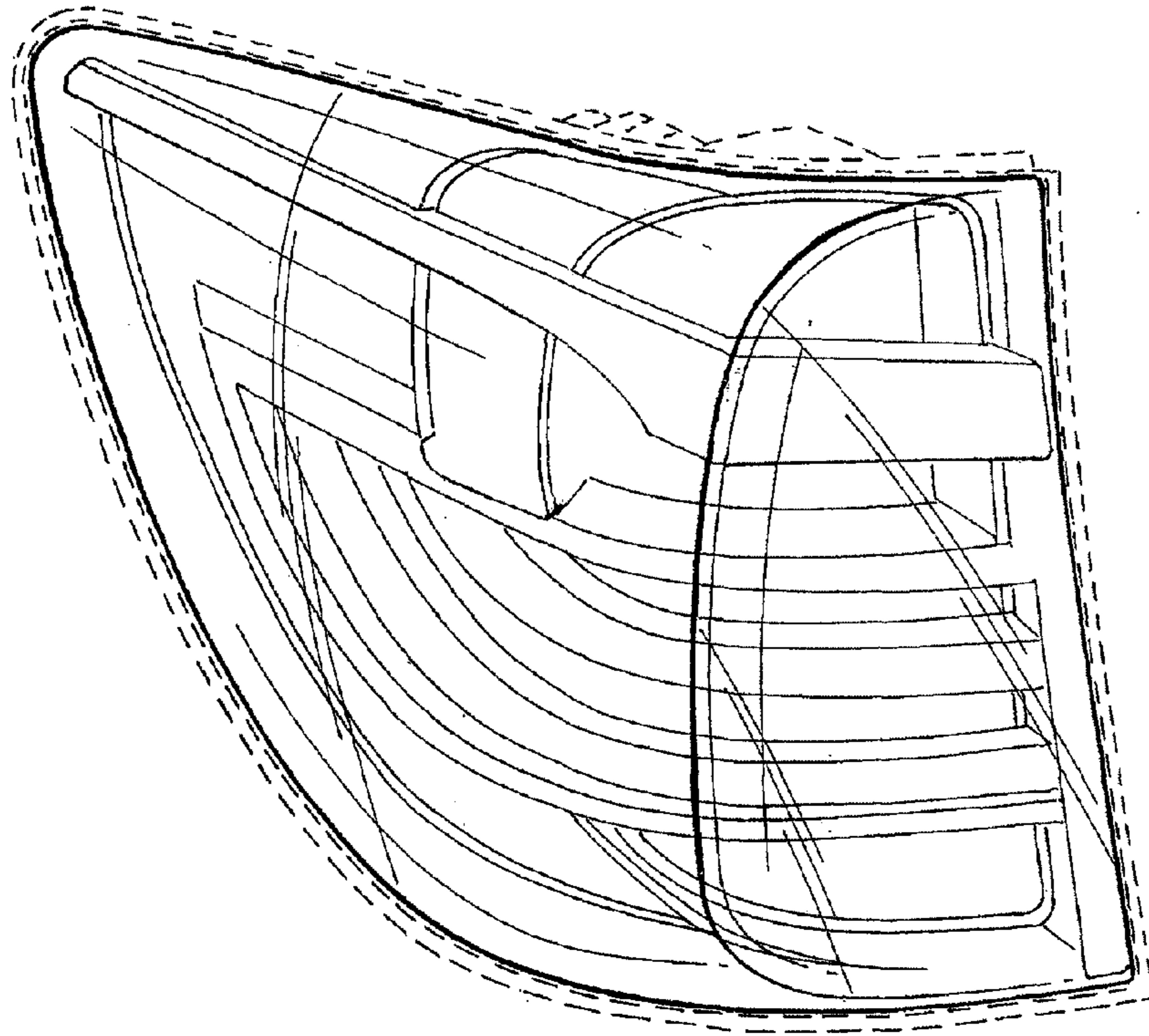


FIG. 1

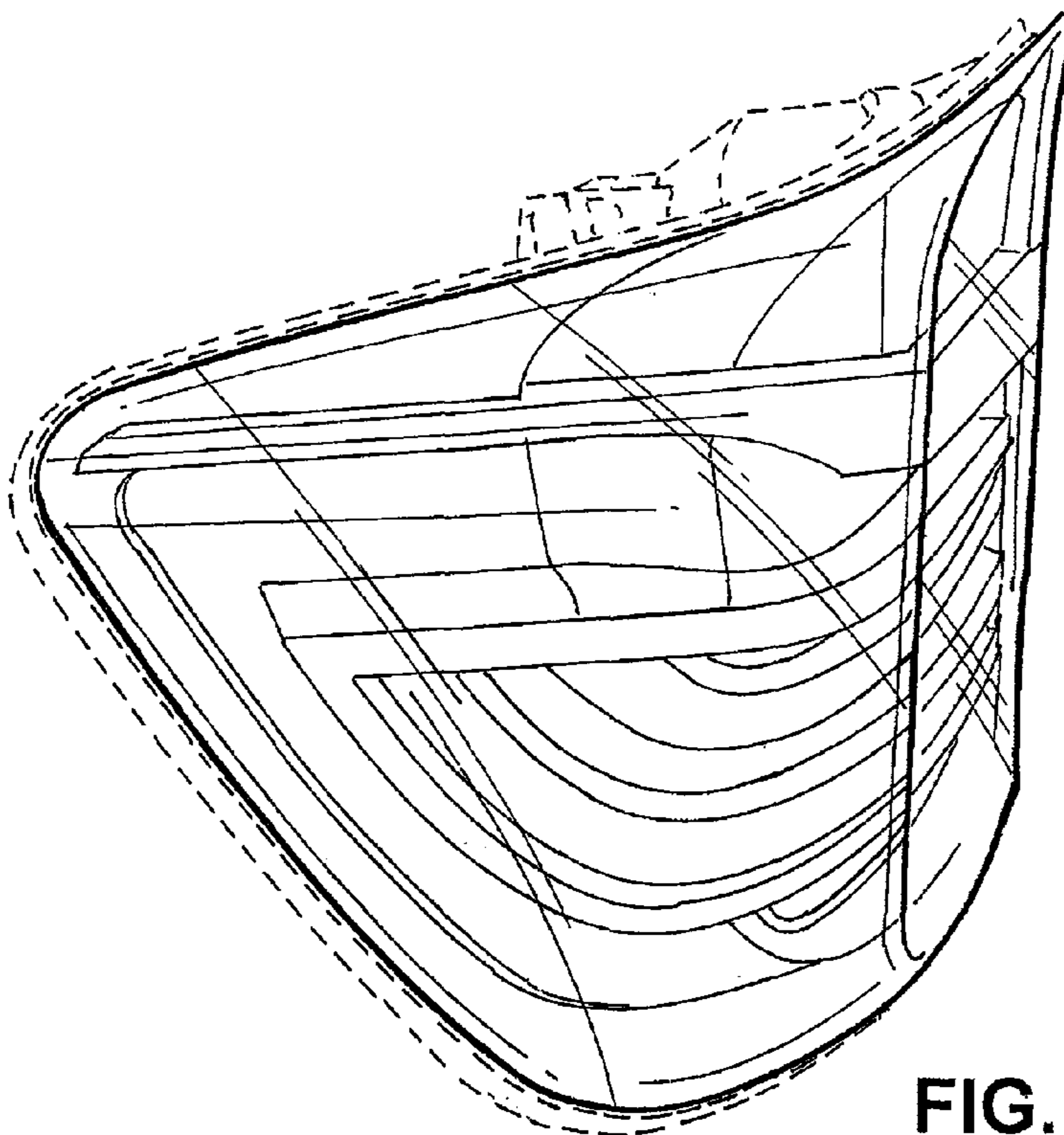


FIG. 2

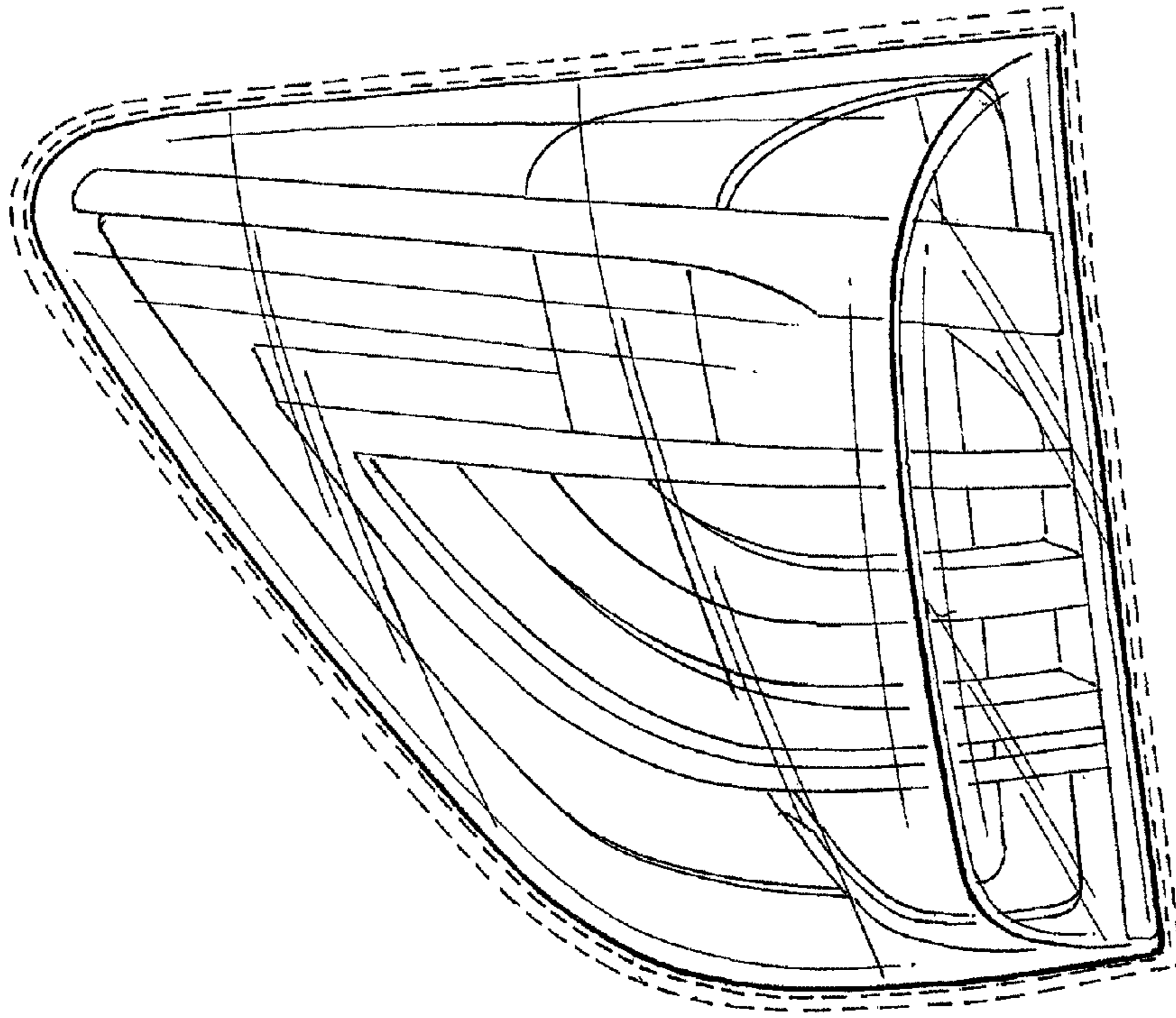


FIG. 3

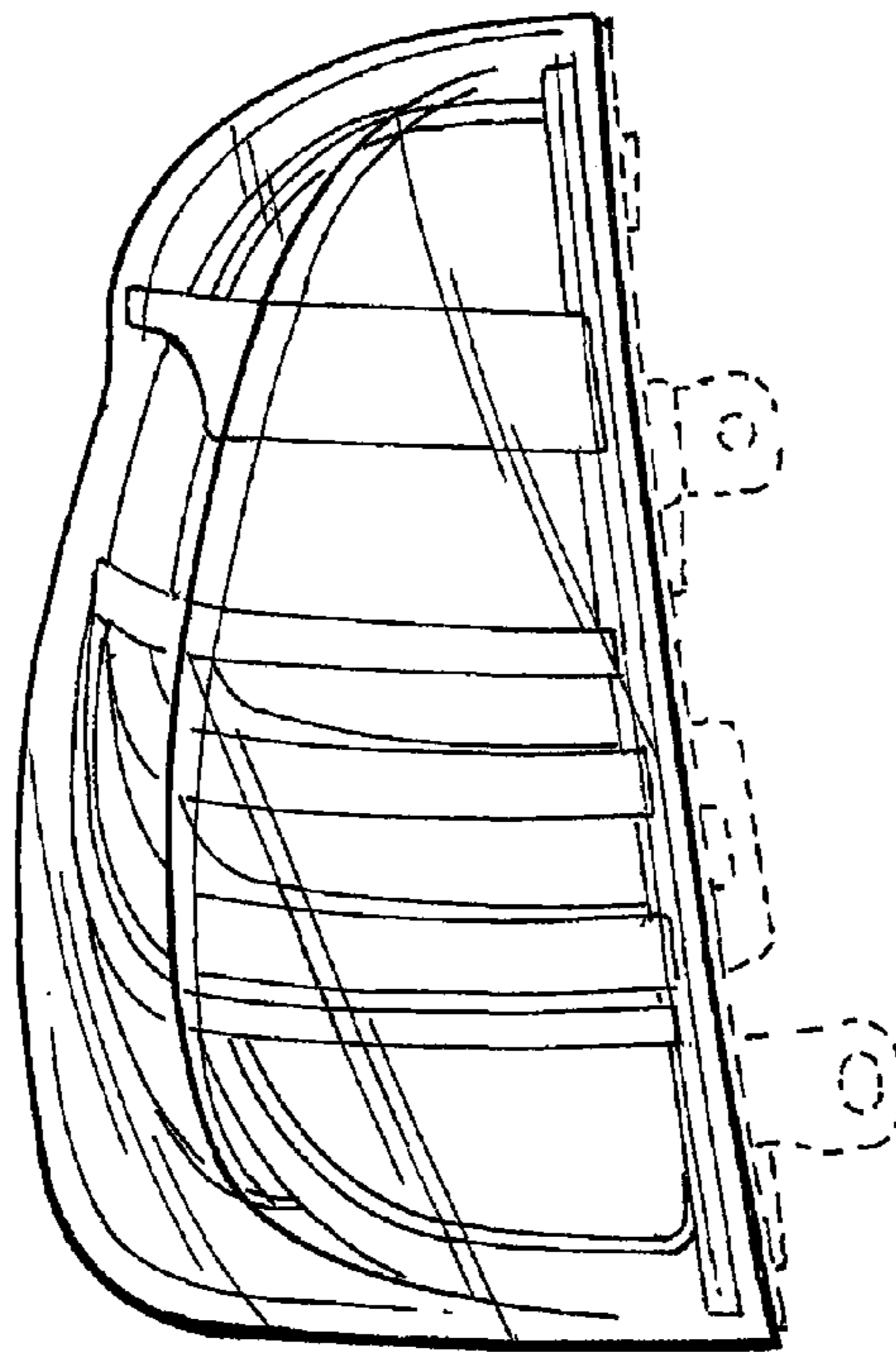


FIG. 4

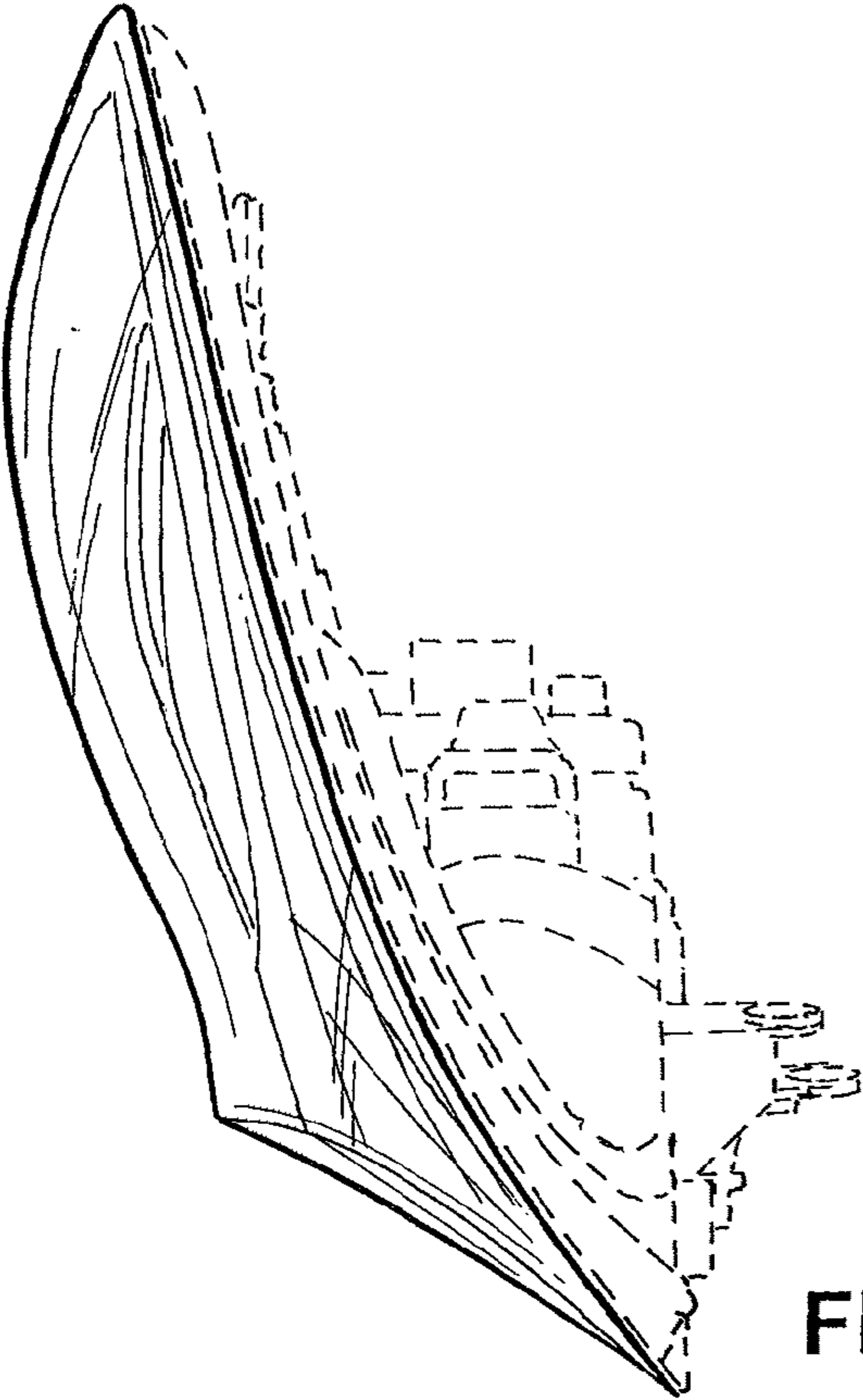


FIG. 5

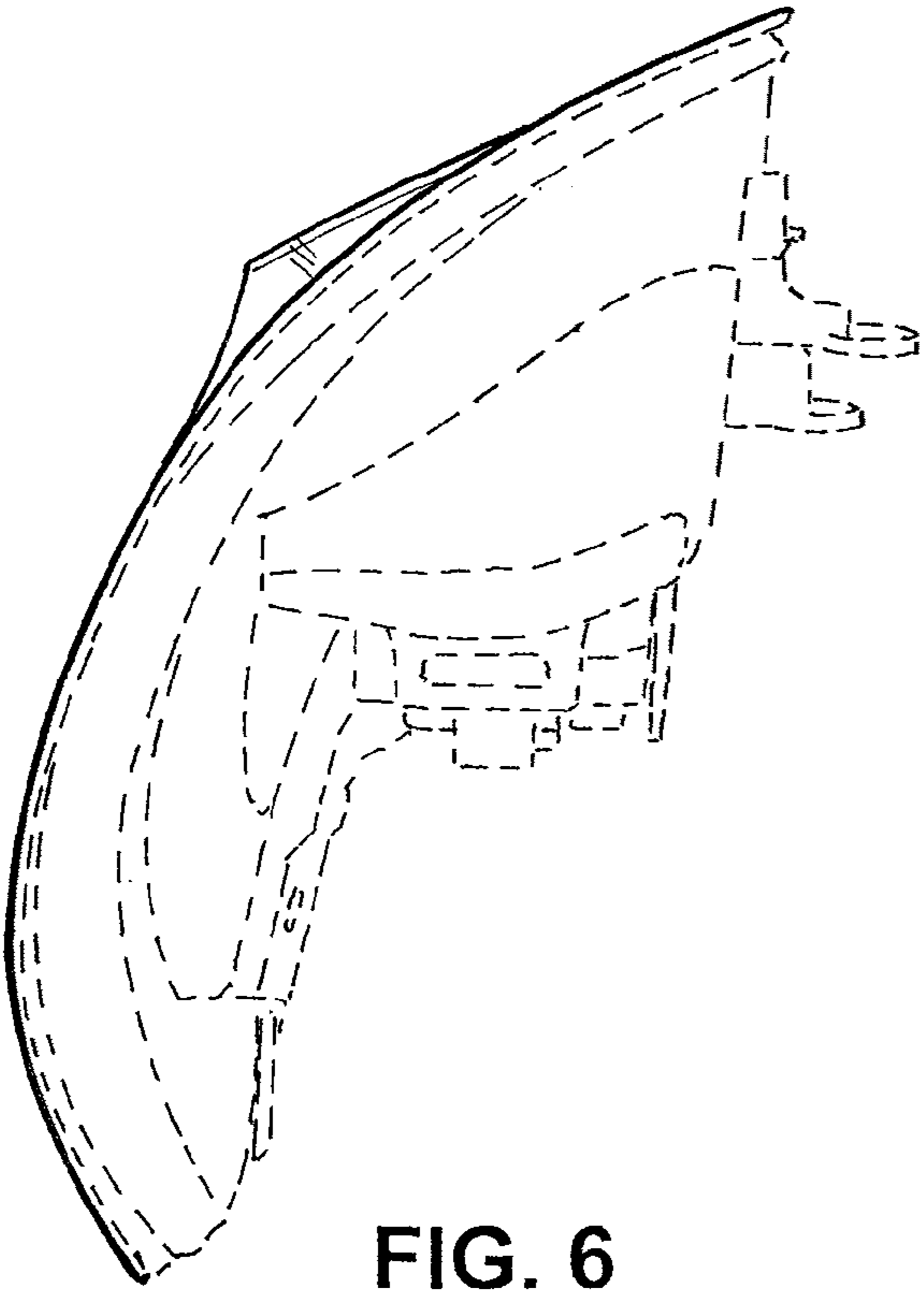


FIG. 6

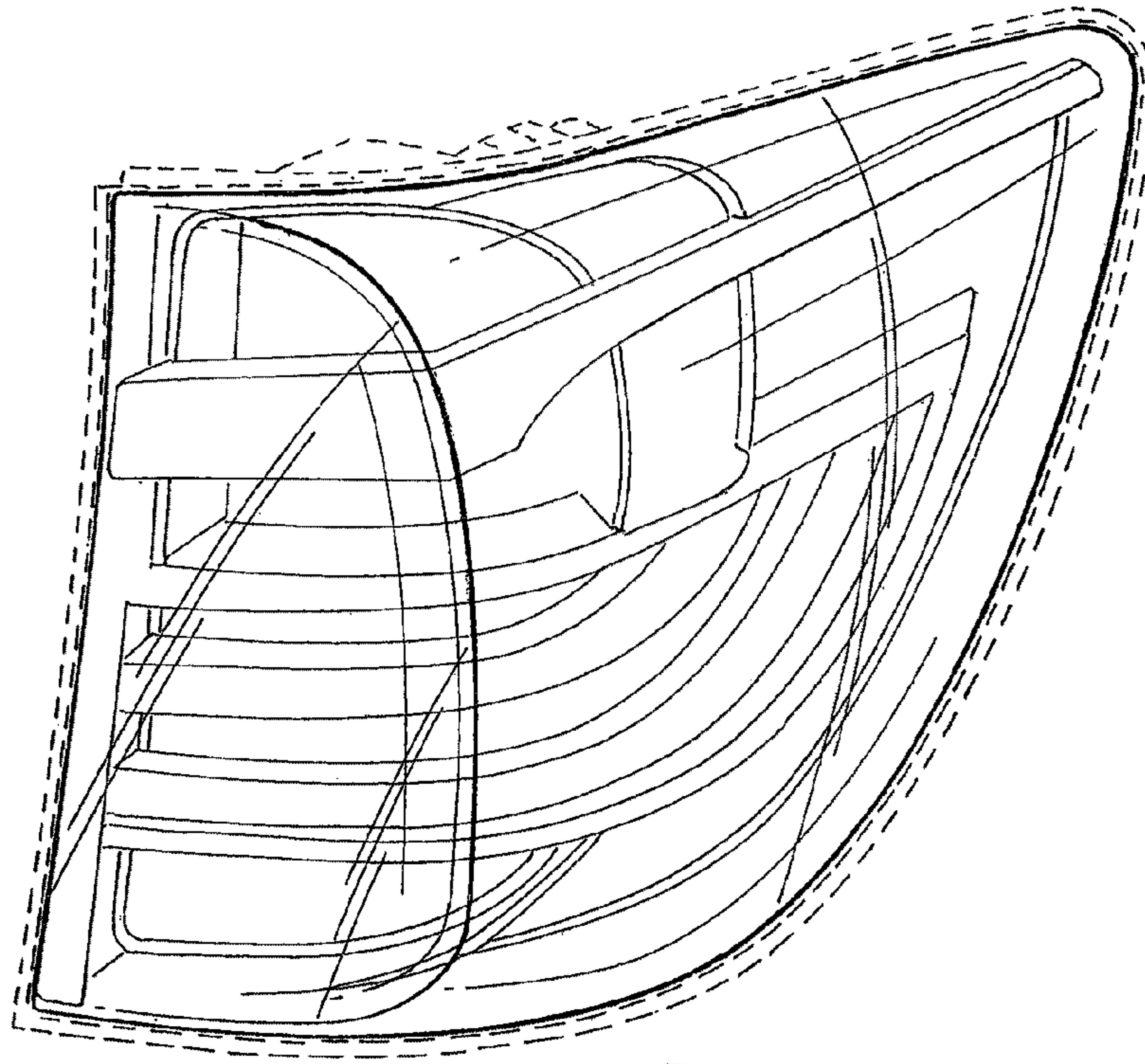


FIG. 7

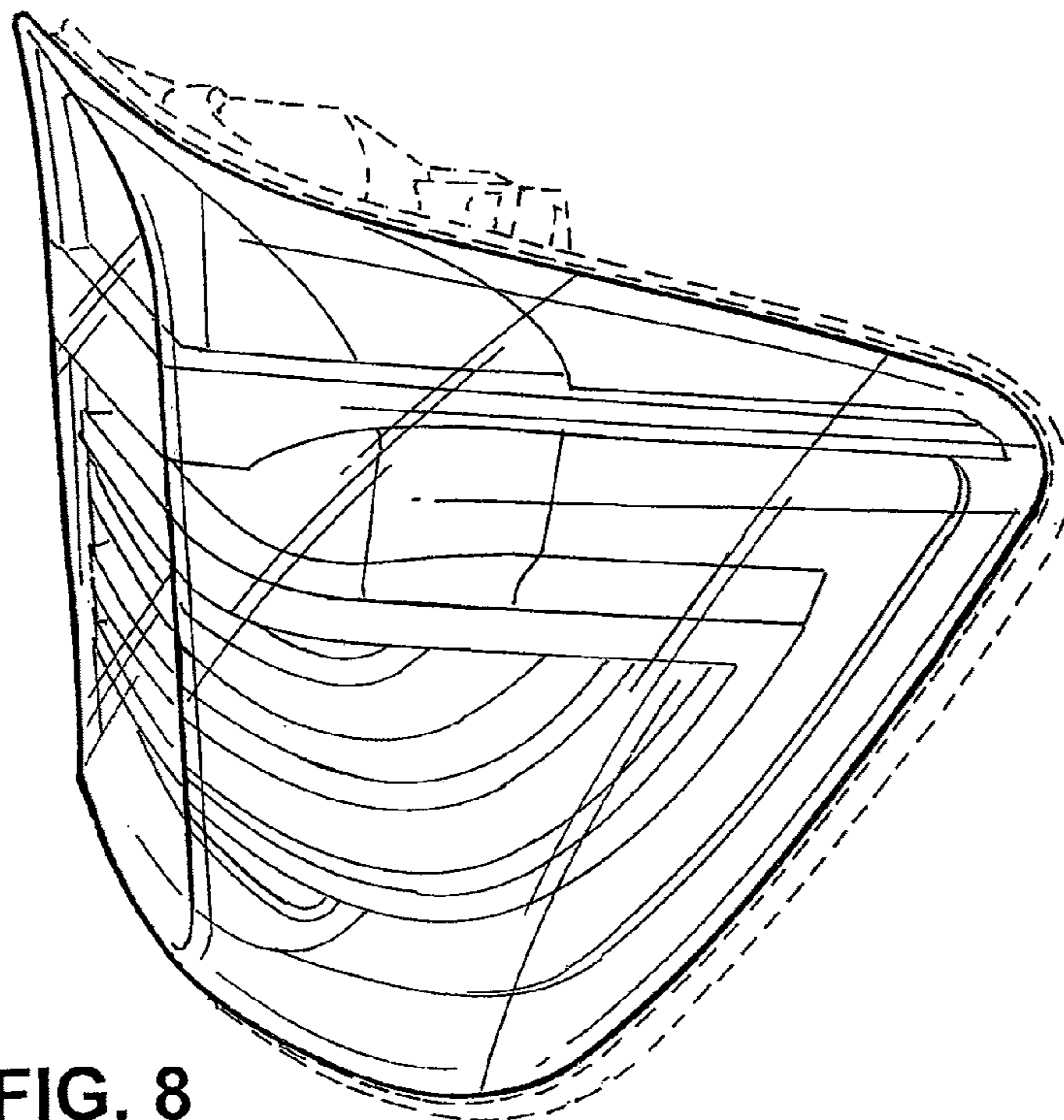


FIG. 8

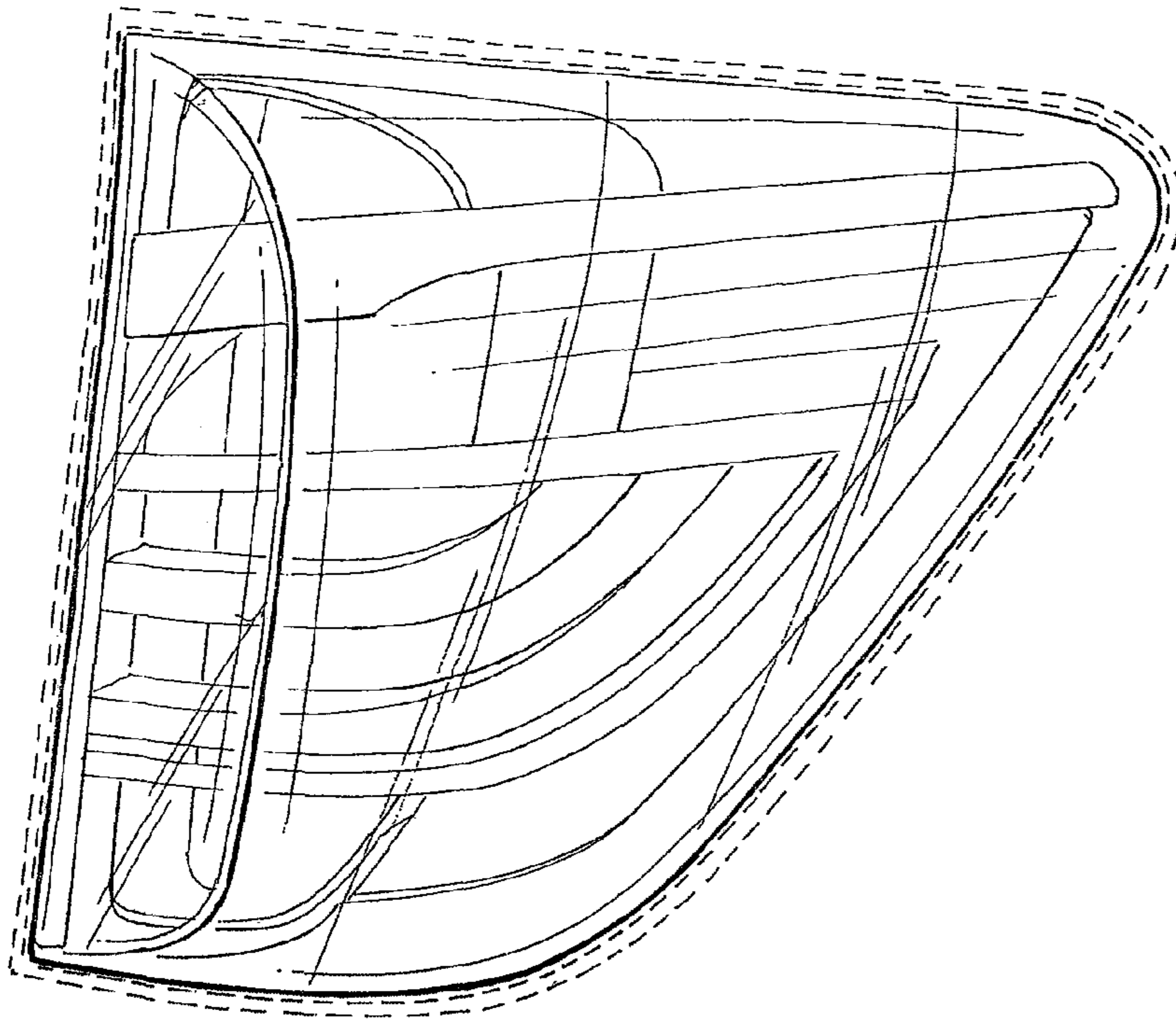


FIG. 9

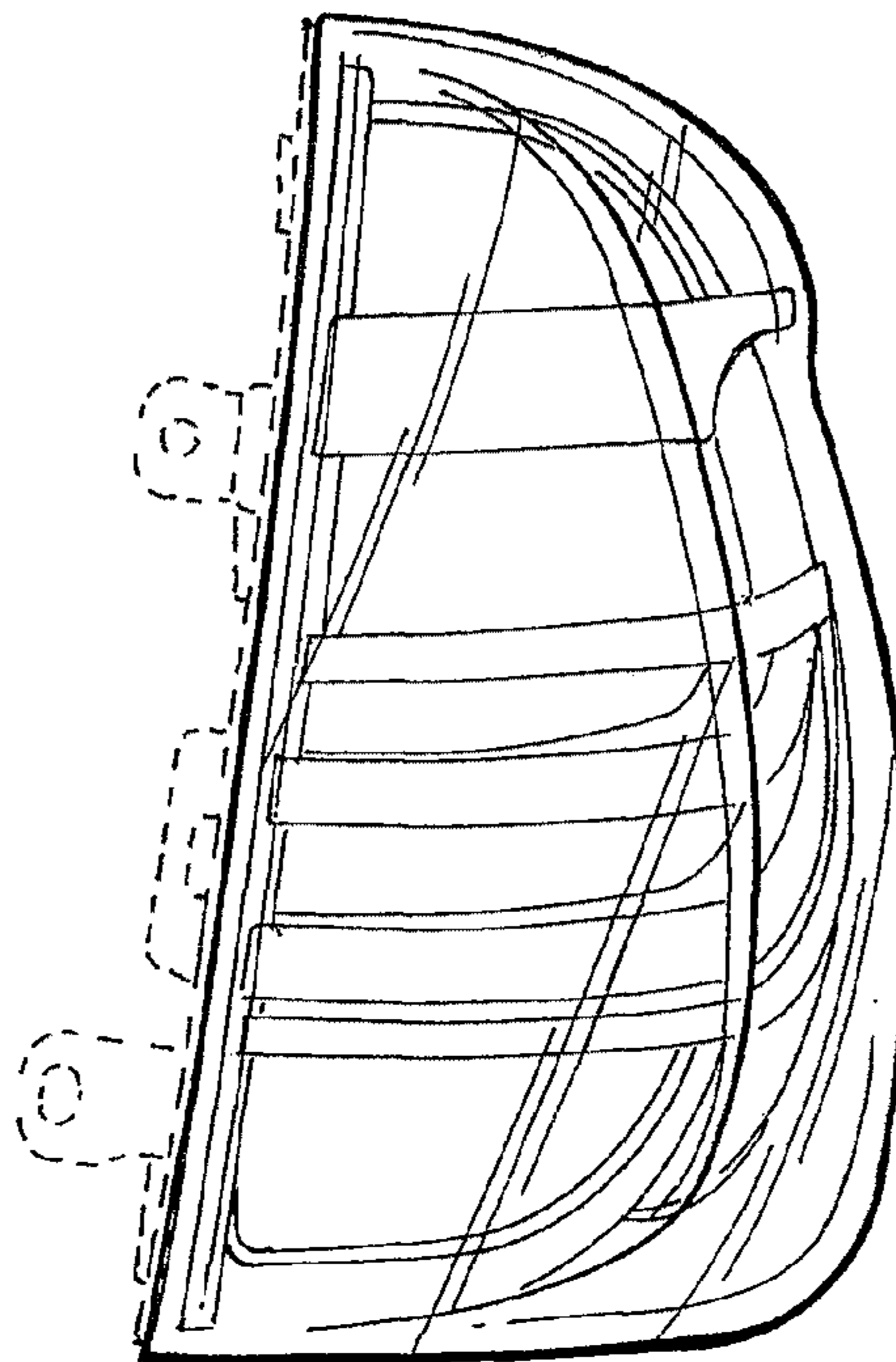


FIG. 10

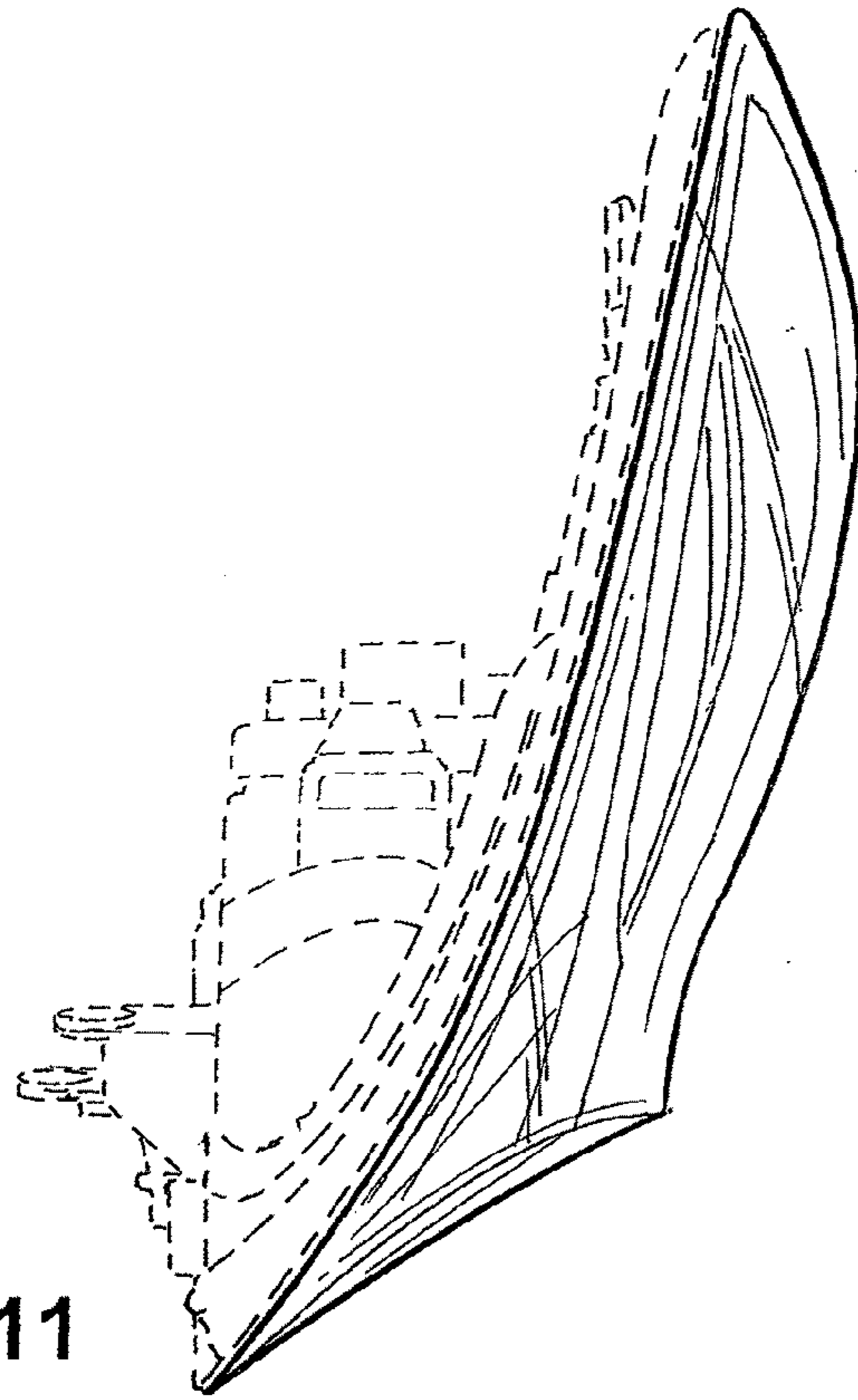


FIG. 11

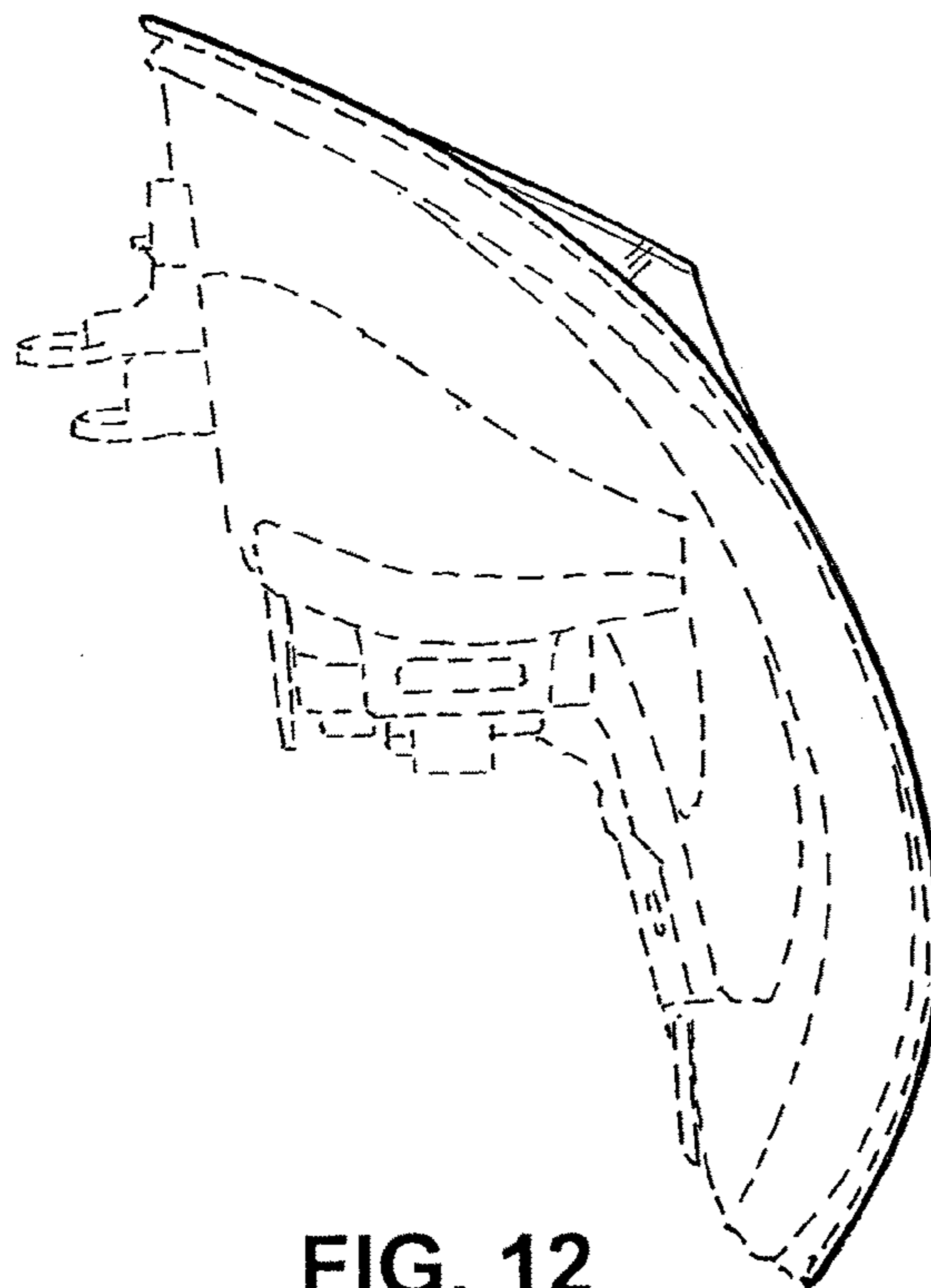


FIG. 12