



US00D646813S

(12) **United States Design Patent**
Boschetto

(10) **Patent No.:** **US D646,813 S**

(45) **Date of Patent:** **** Oct. 11, 2011**

(54) **CANDLE HOLDER WITH SLANTED BRACKET**

(75) Inventor: **Andrew Anthony Boschetto**, Sewell, NJ (US)

(73) Assignee: **International Marketing Corporation**, Turnersville, NJ (US)

(**) Term: **14 Years**

(21) Appl. No.: **29/383,808**

(22) Filed: **Jan. 21, 2011**

(51) **LOC (9) Cl.** **26-01**

(52) **U.S. Cl.** **D26/20**

(58) **Field of Classification Search** D26/6-23, D26/102; D11/117, 121, 125, 131; 362/448, 362/161, 159; 431/297, 295, 294, 293, 292; D3/315, 316; D24/199, 224, 227, 232
See application file for complete search history.

(56) **References Cited**

U.S. PATENT DOCUMENTS

| | | | | | | |
|-----------|---|---|---------|------------|-------|---------|
| D74,986 | S | * | 4/1928 | Paul | | D26/21 |
| 1,842,904 | A | * | 1/1932 | Greenan | | 431/294 |
| D175,246 | S | * | 8/1955 | Blosveren | | D26/20 |
| D261,179 | S | * | 10/1981 | Alley, Sr. | | D26/9 |
| 4,392,191 | A | * | 7/1983 | White, Sr. | | 362/392 |

| | | | | | | |
|-----------|----|---|---------|---------------|-------|----------|
| D320,864 | S | * | 10/1991 | Boschetto | | D26/73 |
| 5,601,272 | A | * | 2/1997 | Adams et al. | | 248/518 |
| D403,440 | S | * | 12/1998 | Holmes et al. | | D26/9 |
| 6,497,502 | B1 | * | 12/2002 | Clift et al. | | 362/392 |
| D507,062 | S | * | 7/2005 | Boschetto | | D26/9 |
| D621,077 | S | * | 8/2010 | Fleischman | | D26/9 |
| 7,766,284 | B2 | * | 8/2010 | Boschetto | | 248/27.8 |

* cited by examiner

Primary Examiner — T. Chase Nelson

(74) *Attorney, Agent, or Firm* — Berenato & White, LLC

(57) **CLAIM**

The ornamental design for a candle holder with slanted bracket, as shown and described.

DESCRIPTION

FIG. 1 is a front, top and left perspective view of the candle holder with slanted bracket showing our new design; FIG. 2 is a left side elevational view thereof; FIG. 3 is a right side elevational view thereof; FIG. 4 is a front elevational view thereof; FIG. 5 is a rear elevational view thereof; FIG. 6 is a top plan view thereof; and, FIG. 7 is a bottom plan view thereof.
In the drawings, the broken lines depict environmental subject matter only and form no part of the claimed design.

1 Claim, 5 Drawing Sheets

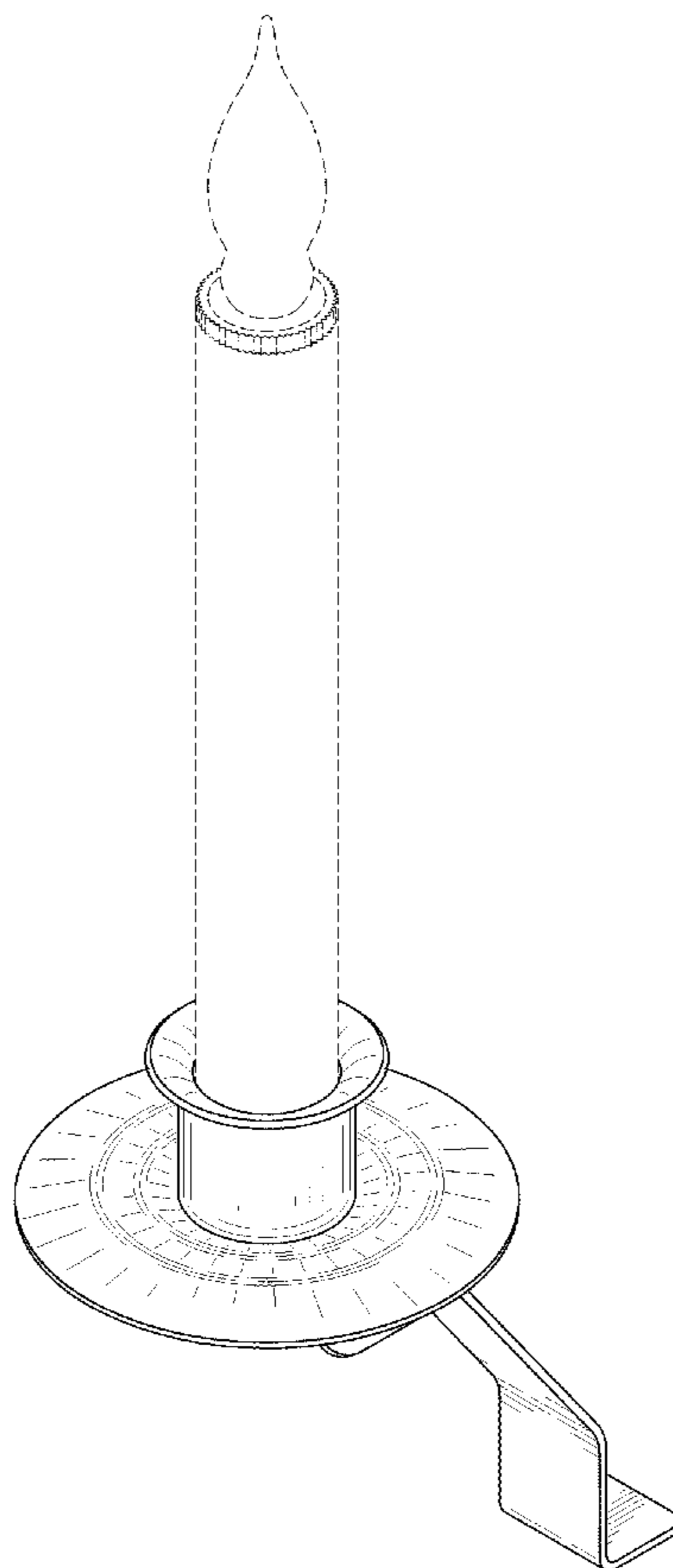


Fig. 1

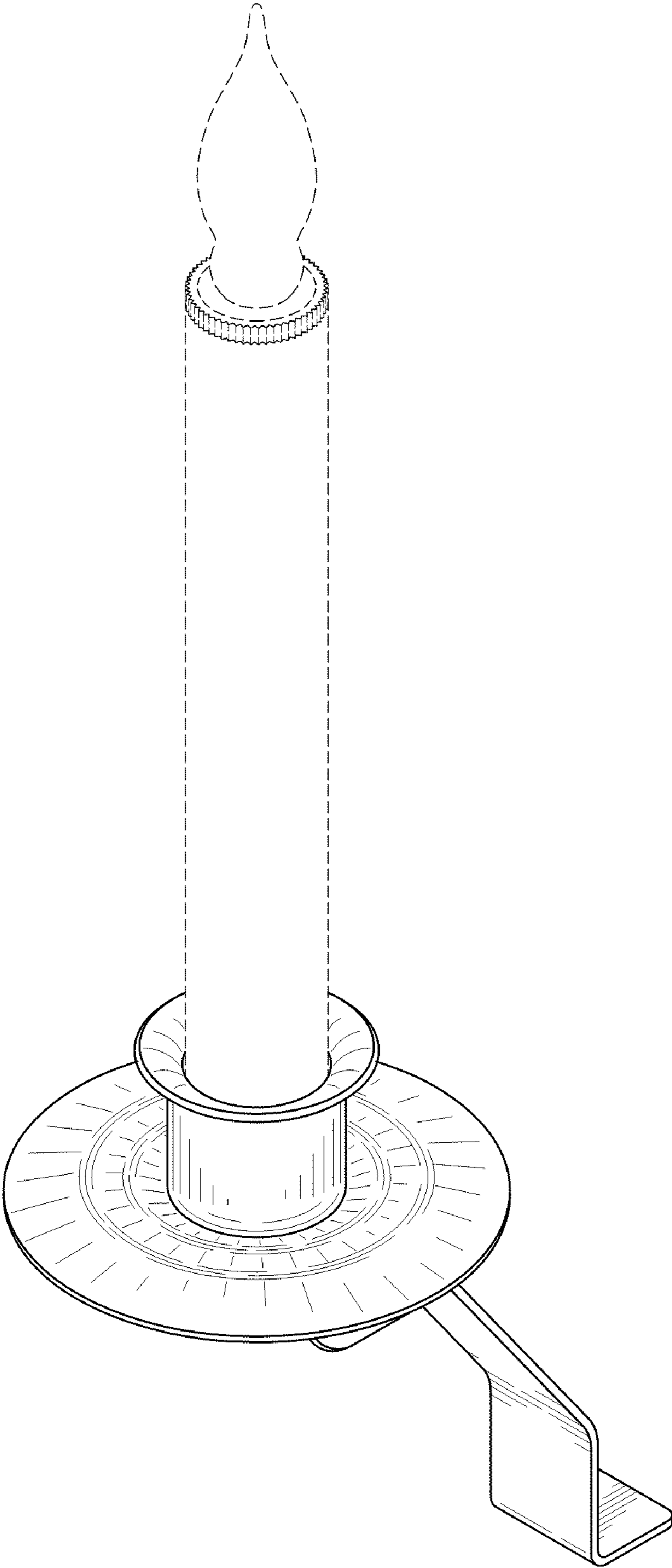


Fig. 2

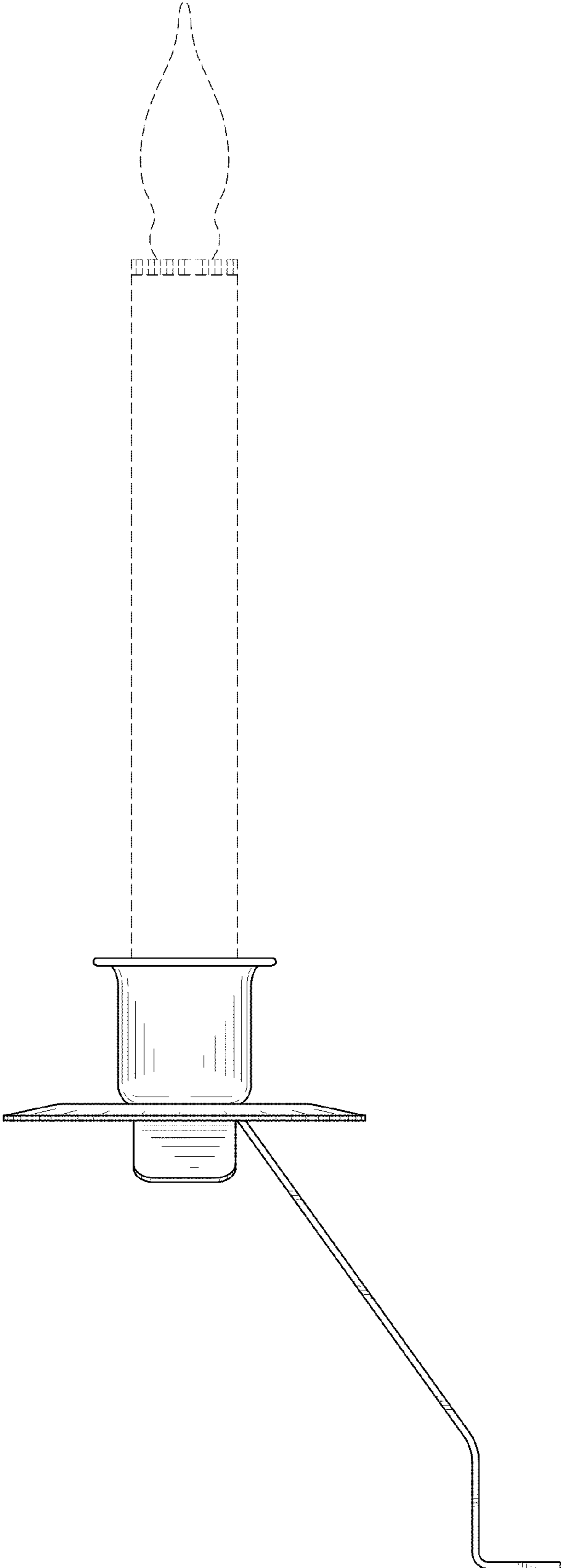


Fig. 3

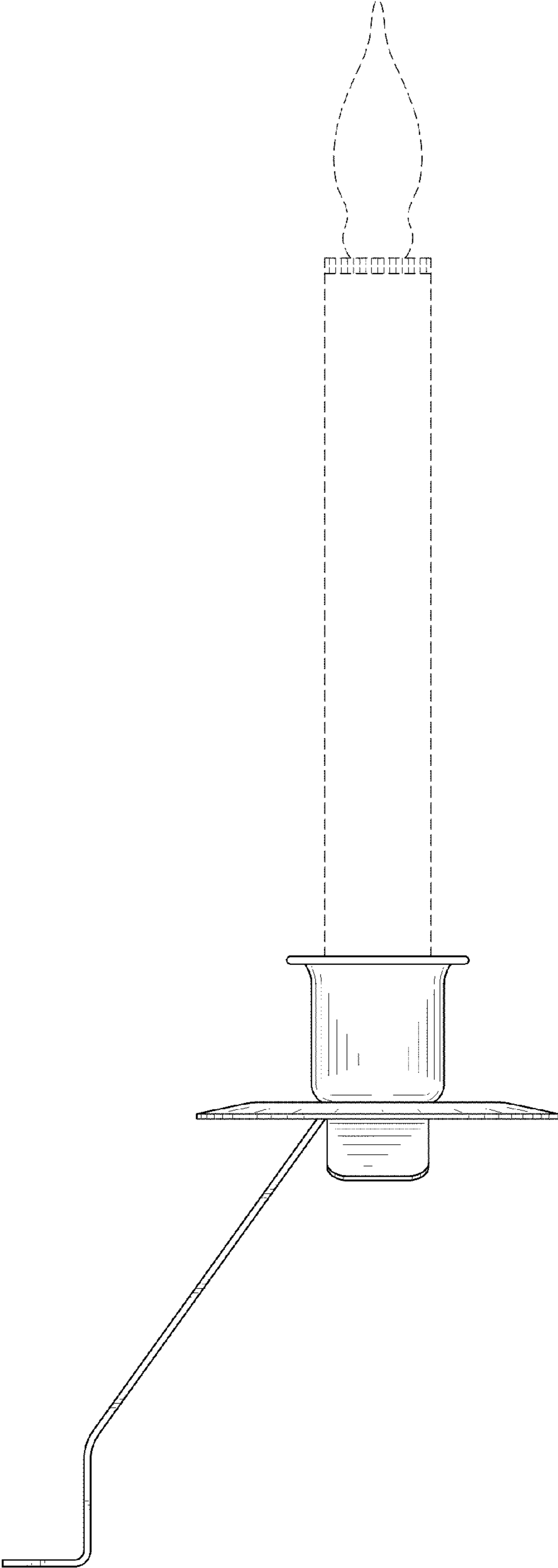


Fig. 4

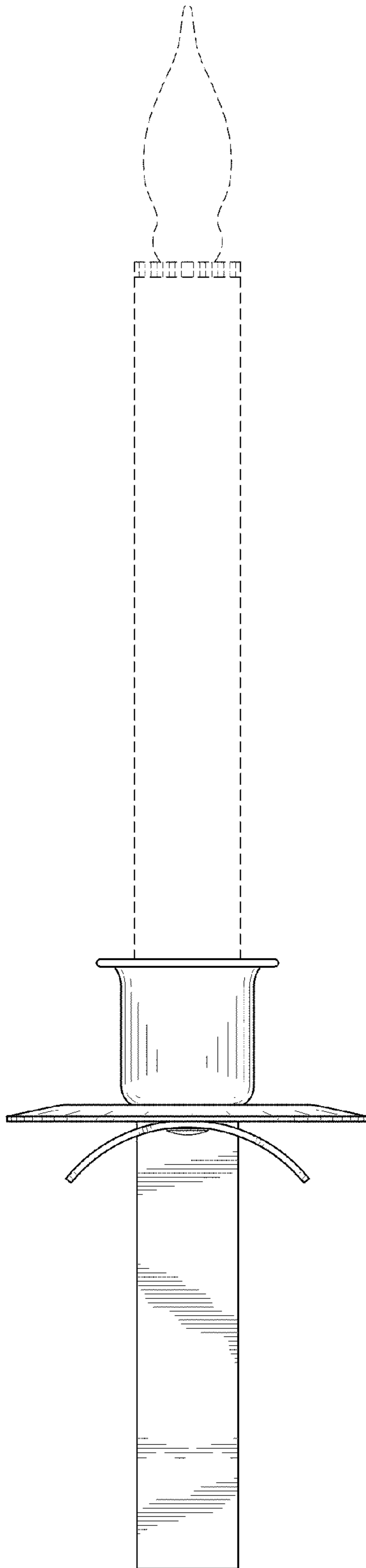


Fig. 5

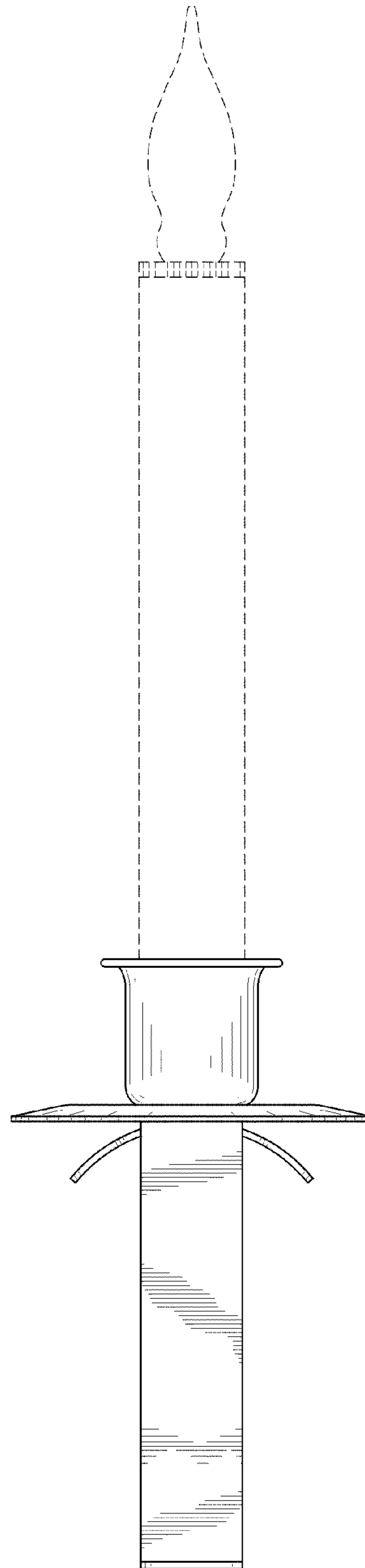


Fig. 6

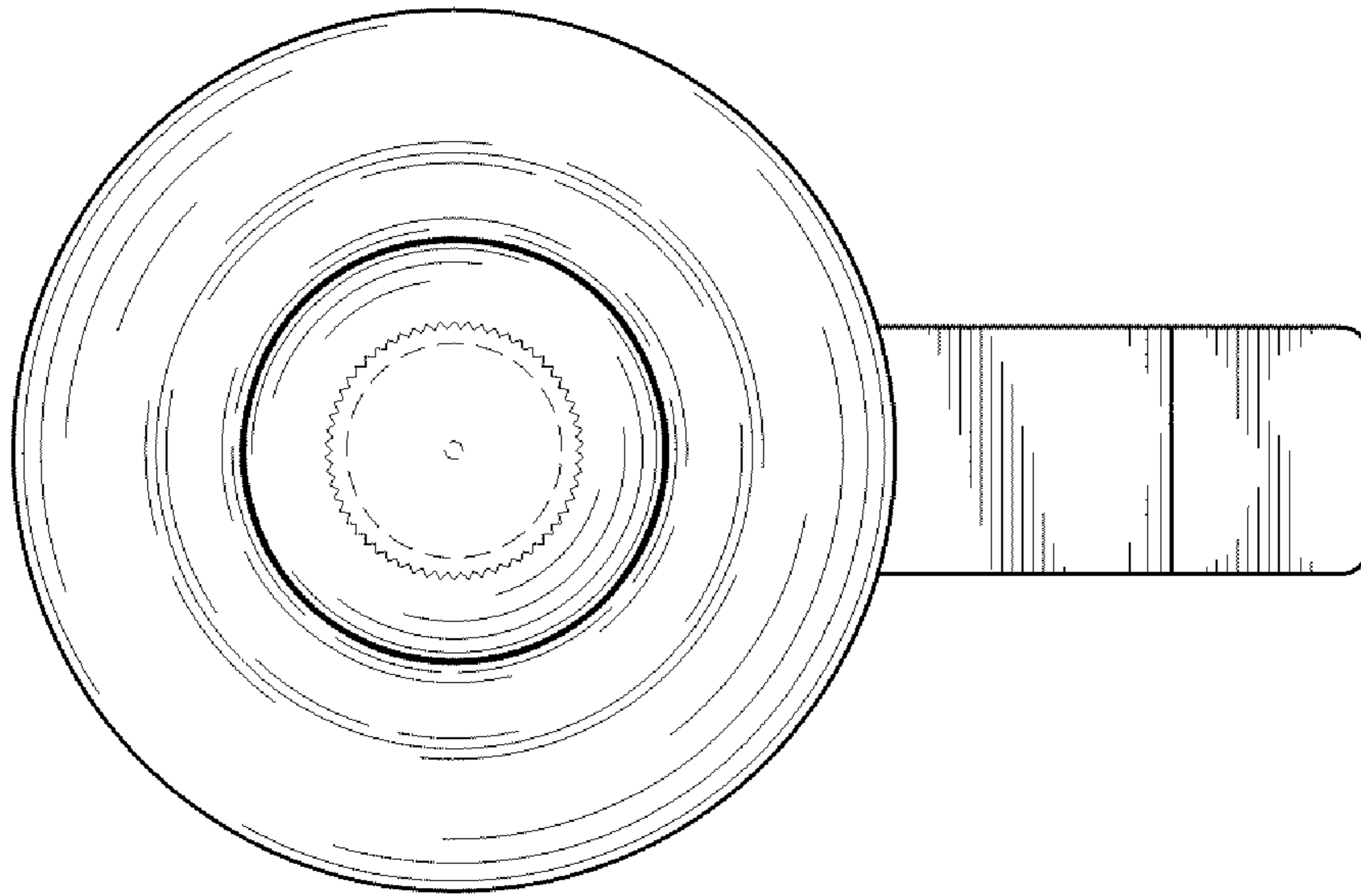


Fig. 7

