

US00D646811S

(12) **United States Design Patent**
Takeuchi et al.

(10) **Patent No.:** **US D646,811 S**

(45) **Date of Patent:** **** Oct. 11, 2011**

(54) **LIGHT EMITTING DIODE LAMP**

(75) Inventors: **Nobuyoshi Takeuchi**, Osaka (JP);
Tsugihiko Matsuda, Kyoto (JP); **Hideo Nagai**, Osaka (JP); **Masahiro Miki**, Osaka (JP); **Takaari Uemoto**, Osaka (JP)

(73) Assignee: **Panasonic Corporation**, Osaka (JP)

(**) Term: **14 Years**

(21) Appl. No.: **29/390,153**

(22) Filed: **Apr. 20, 2011**

(30) **Foreign Application Priority Data**

Oct. 22, 2010 (JP) 2010-025337

(51) **LOC (9) Cl.** **26-04**

(52) **U.S. Cl.** **D26/2**

(58) **Field of Classification Search** D26/1-4;
313/313, 315, 316, 317, 318, 493; 315/52,
315/53, 56, 57, 58

See application file for complete search history.

(56) **References Cited**

U.S. PATENT DOCUMENTS

D340,295 S * 10/1993 Beauchamp D26/2
D410,554 S * 6/1999 Guyton D26/2
D422,099 S * 3/2000 Kracke D26/2
D528,674 S 9/2006 Gonzalez
D548,369 S * 8/2007 Bembridge D26/2

D549,360 S * 8/2007 An D26/2
D550,864 S * 9/2007 Hernandez et al. D26/2
D614,338 S 4/2010 Sieczkowski et al.
D626,258 S 10/2010 Mathew
D629,929 S * 12/2010 Chen et al. D26/2

* cited by examiner

Primary Examiner — Marcus Jackson

(74) *Attorney, Agent, or Firm* — Brinks Hofer Gilson & Lione

(57) **CLAIM**

We claim the ornamental design for a light emitting diode lamp, as shown and described.

DESCRIPTION

FIG. 1 is a front perspective view of a light emitting diode lamp of the present invention; FIG. 2 is a front view thereof; FIG. 3 is a rear view thereof; FIG. 4 is a first side view thereof; FIG. 5 is a second side view thereof; FIG. 6 is a top view thereof; and, FIG. 7 is a bottom view thereof.

The broken line showing of light emitting diode lamp is included for the purpose of illustrating environment and forms no part of the claimed design. Applicant disclaims the bottom of the lighting module not shown in the drawings as forming no part of the claimed design.

1 Claim, 7 Drawing Sheets

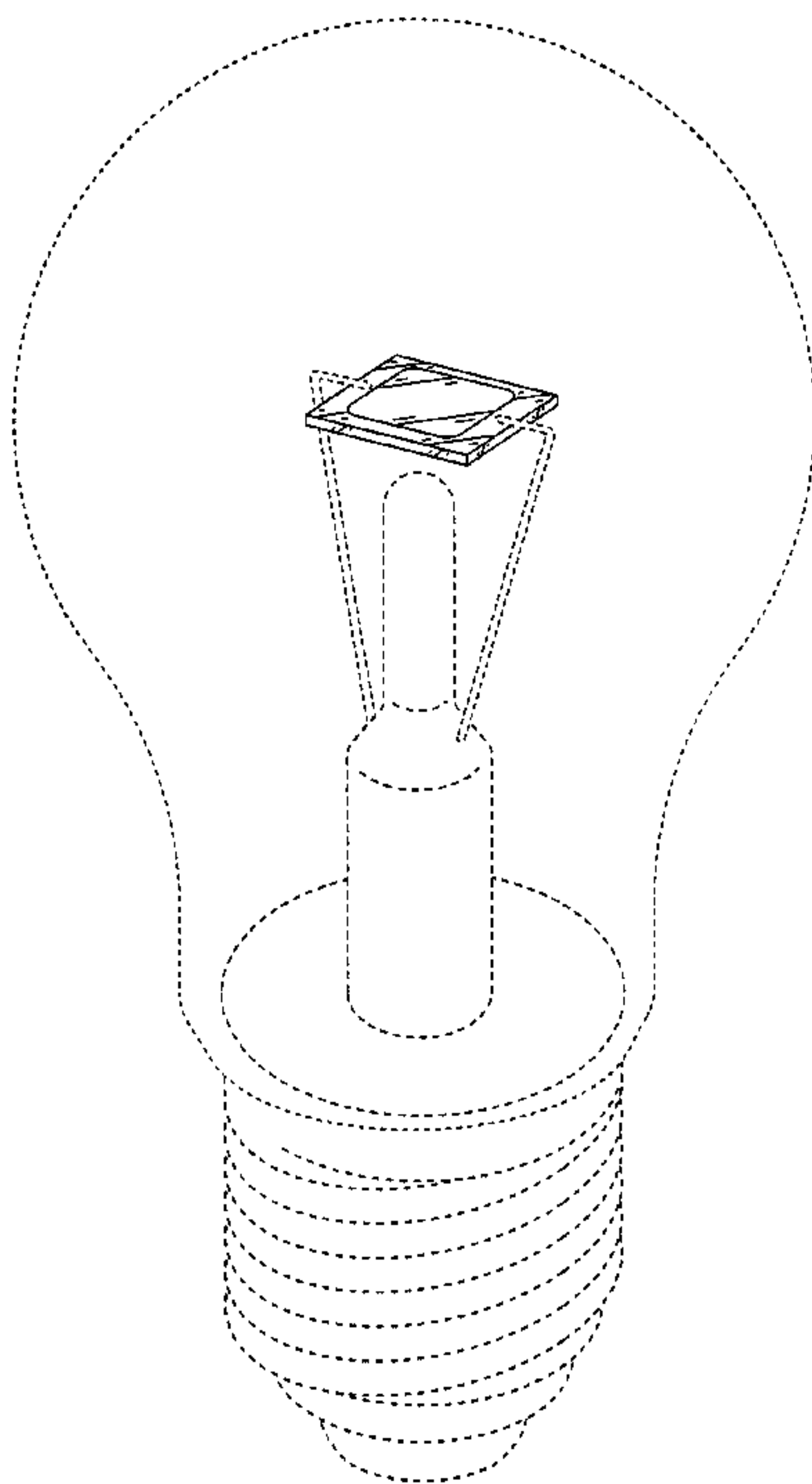


FIG.1

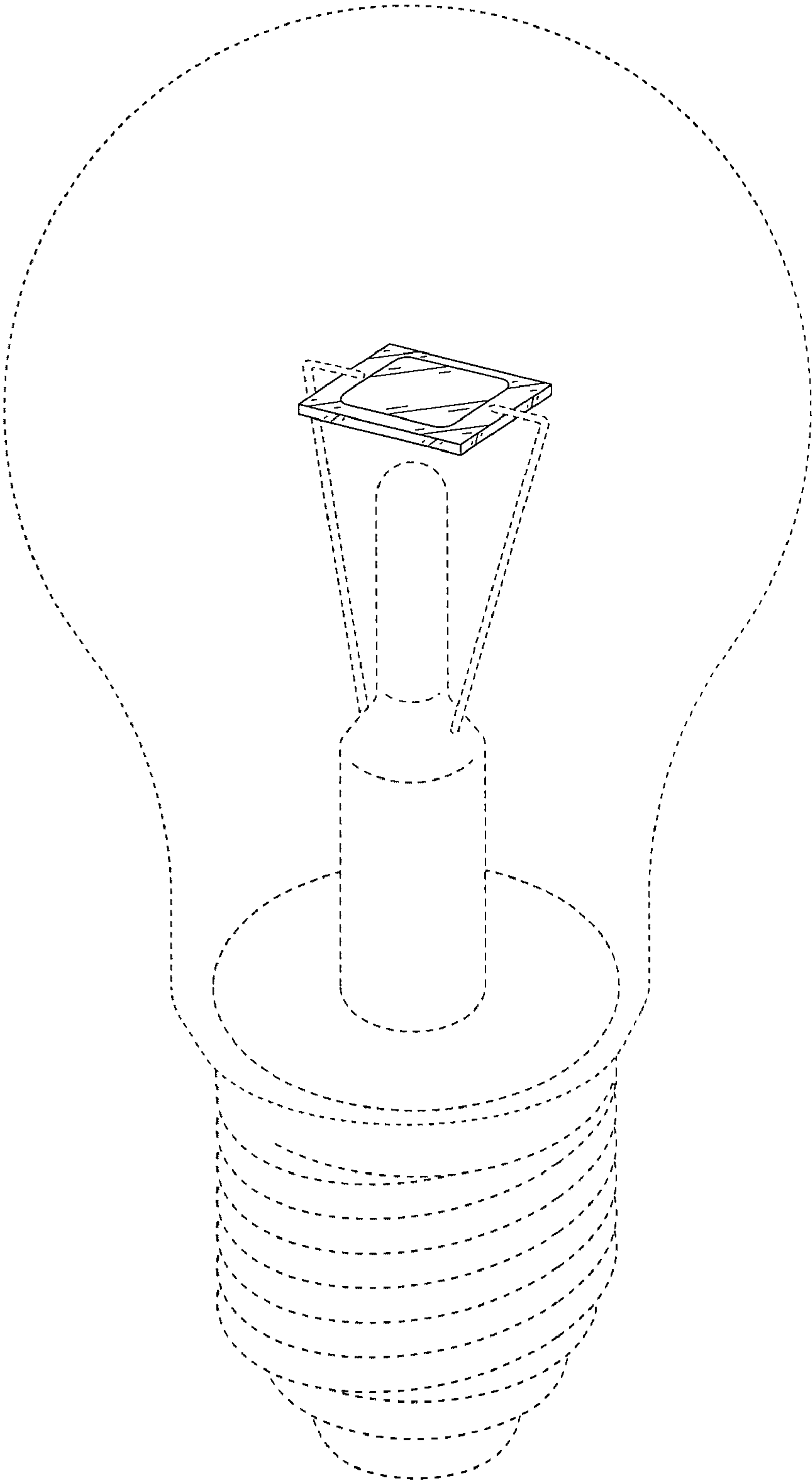


FIG.2

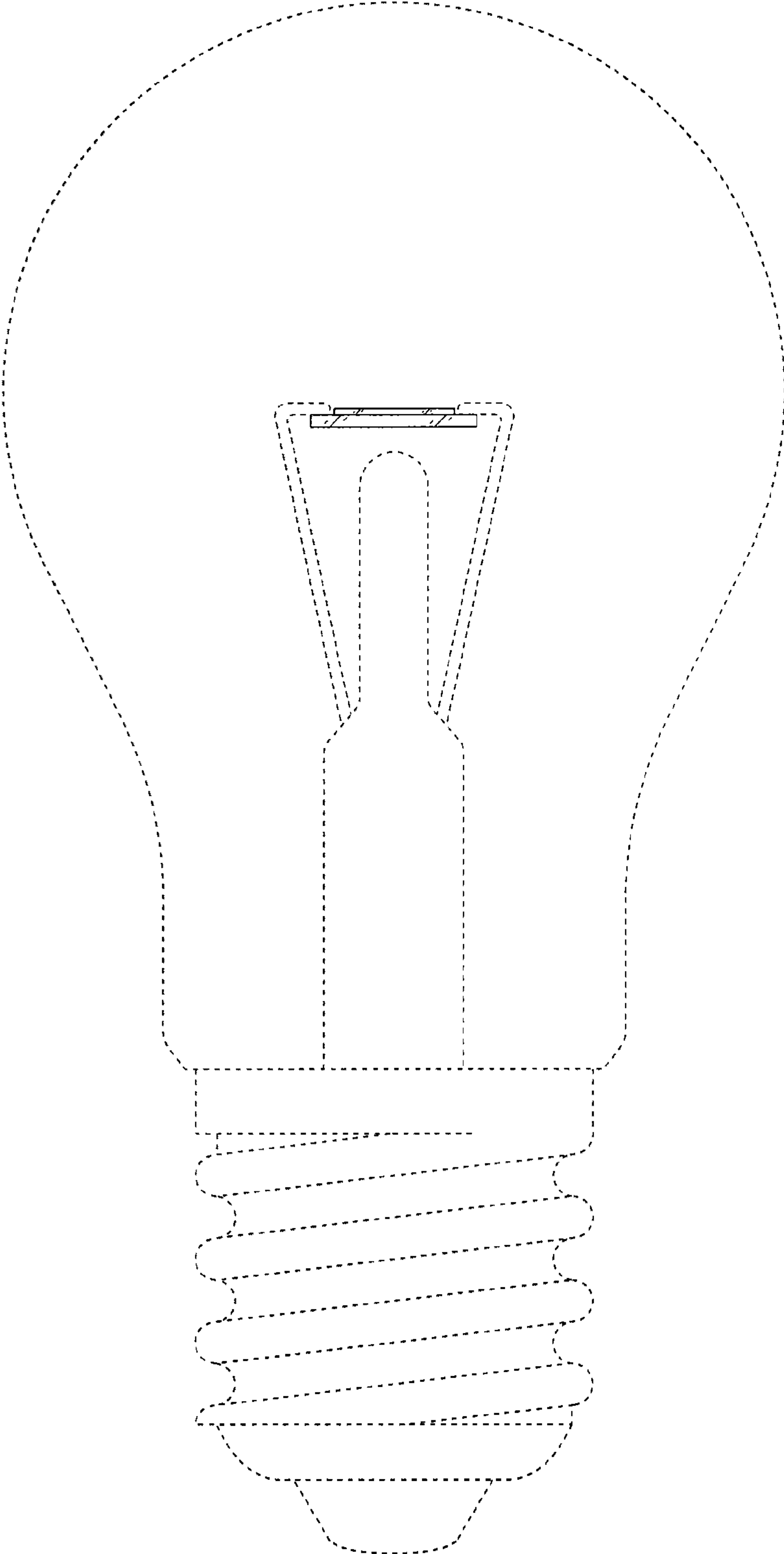


FIG.3

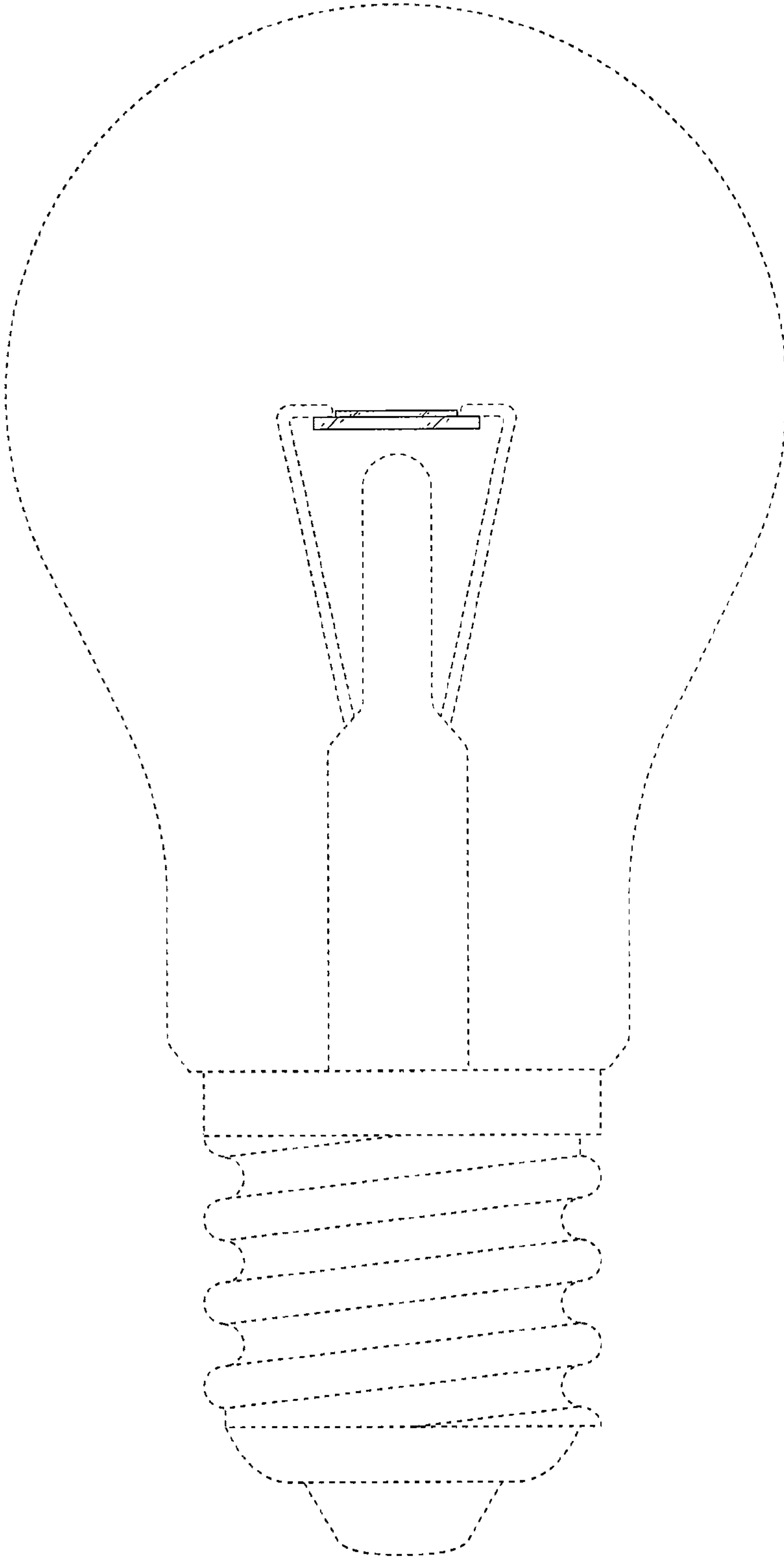


FIG.4

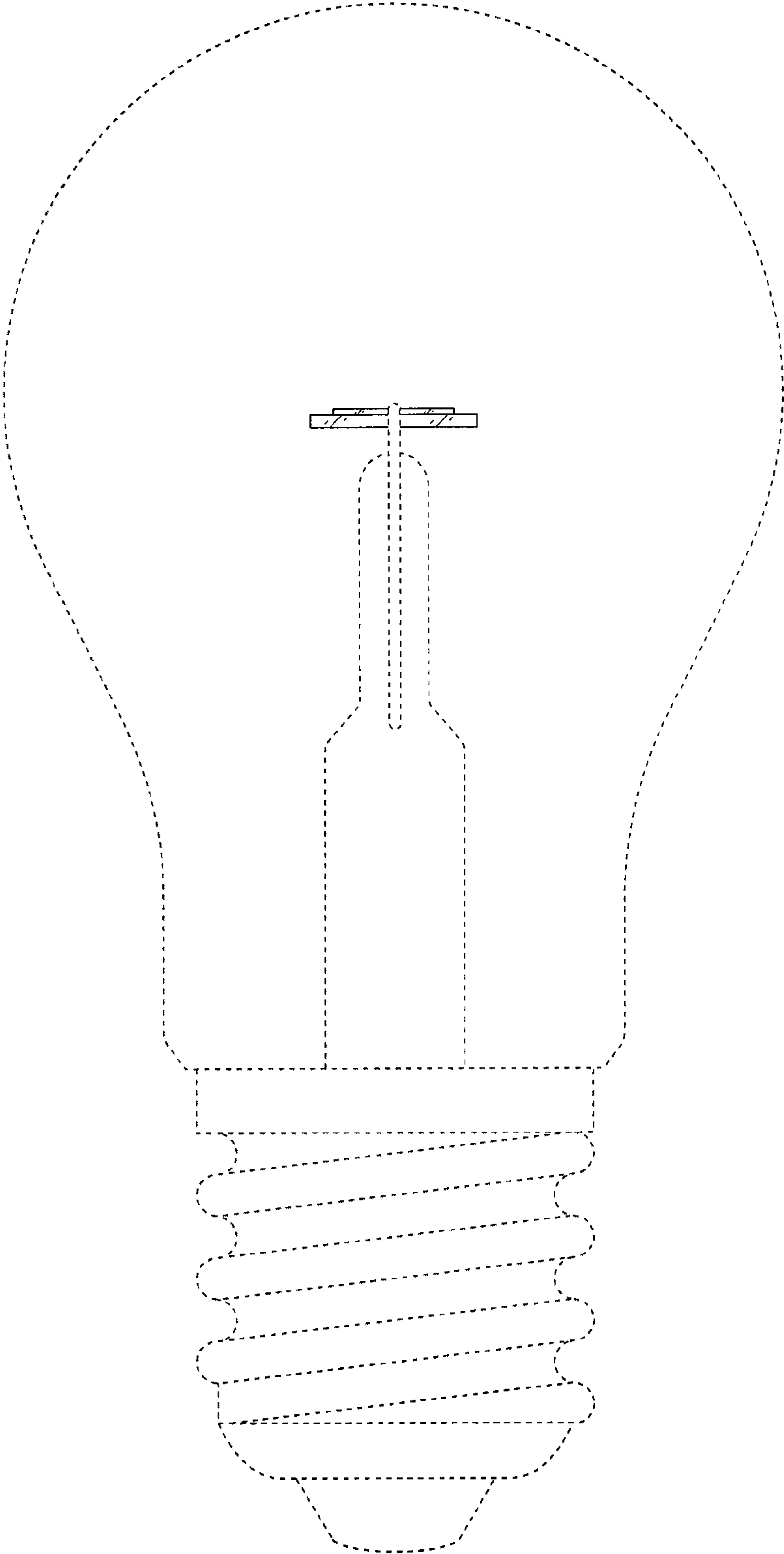


FIG.5

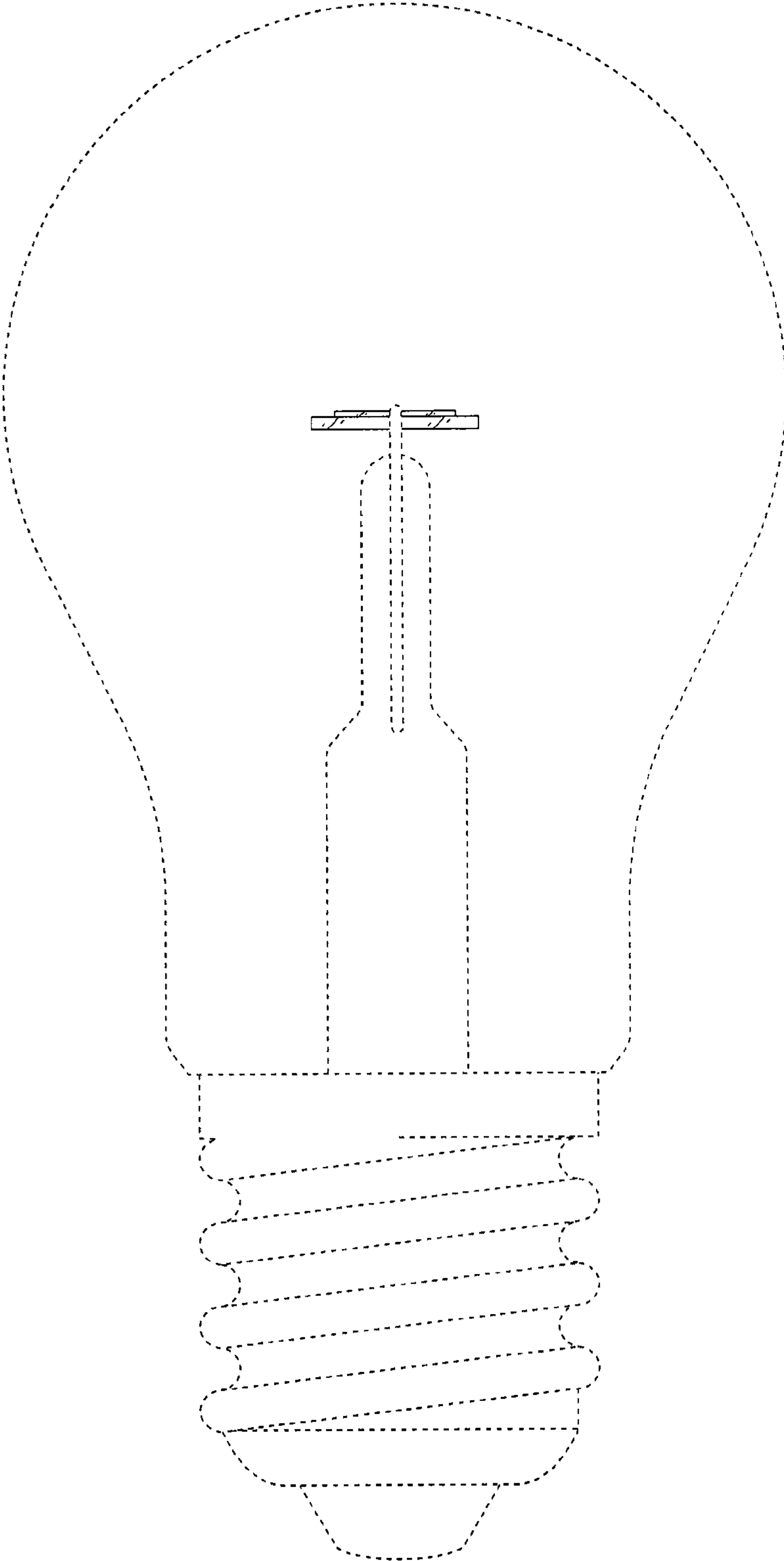


FIG.6

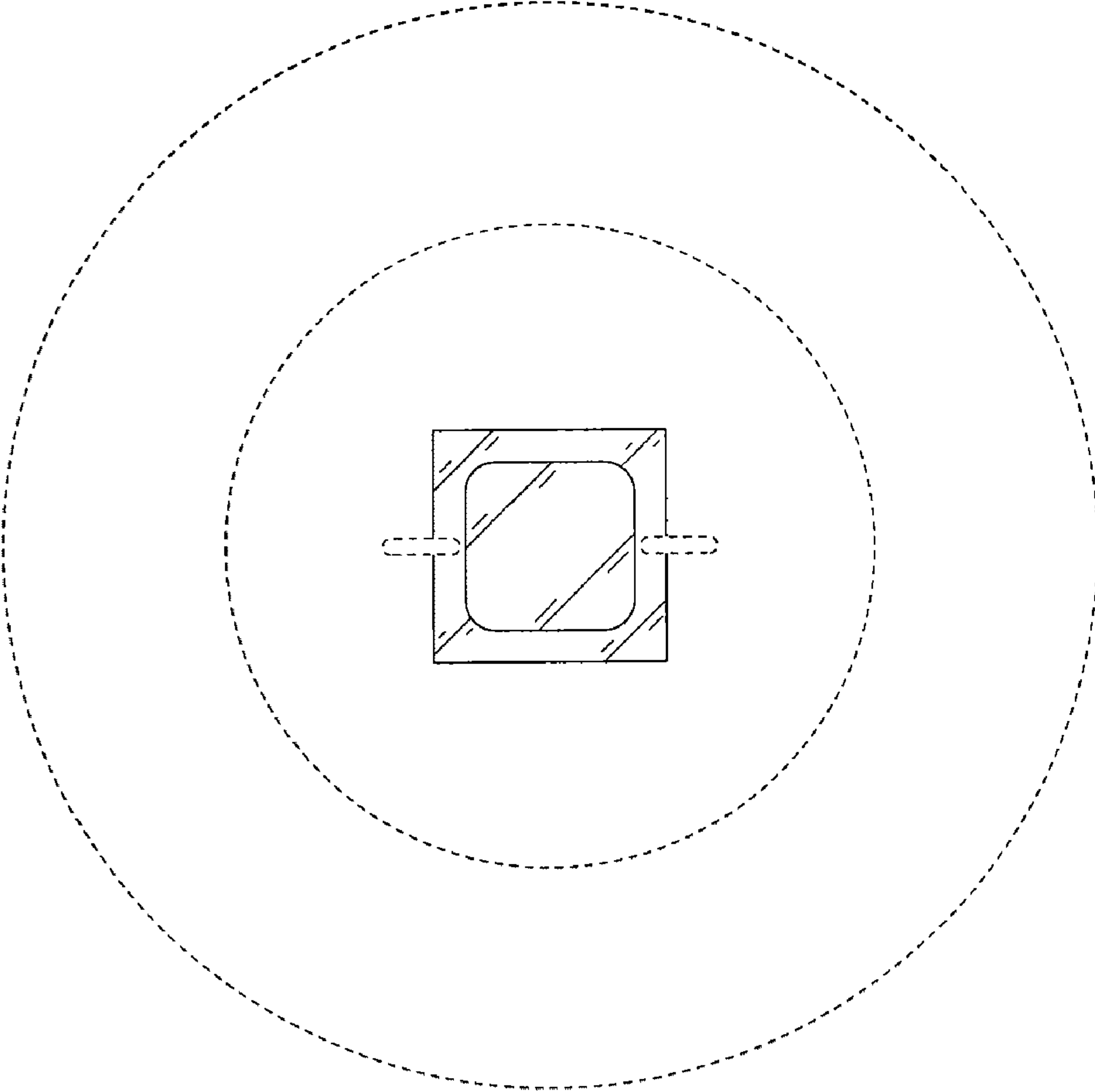


FIG. 7

