



US00D646810S

(12) **United States Design Patent**
Takeuchi et al.

(10) **Patent No.:** **US D646,810 S**

(45) **Date of Patent:** **** Oct. 11, 2011**

(54) **LIGHT EMITTING DIODE LAMP**

(75) Inventors: **Nobuyoshi Takeuchi**, Osaka (JP);
Tsugihiko Matsuda, Kyoto (JP);
Masahiro Miki, Osaka (JP); **Hideo Nagai**, Osaka (JP); **Takaari Uemoto**, Osaka (JP)

(73) Assignee: **Panasonic Corporation**, Osaka (JP)

(**) Term: **14 Years**

(21) Appl. No.: **29/389,739**

(22) Filed: **Apr. 15, 2011**

(30) **Foreign Application Priority Data**

Oct. 18, 2010 (JP) 2010-024828

(51) **LOC (9) Cl.** **26-04**

(52) **U.S. Cl.** **D26/2**

(58) **Field of Classification Search** D26/1-4;
313/313, 315, 316, 317, 318, 493; 315/52,
315/53, 56, 57, 58

See application file for complete search history.

(56) **References Cited**

U.S. PATENT DOCUMENTS

D340,295 S *	10/1993	Beauchamp	D26/2
D410,554 S *	6/1999	Guyton	D26/2
D422,099 S *	3/2000	Kracke	D26/2
D528,674 S	9/2006	Gonzalez		
D548,369 S *	8/2007	Bembridge	D26/2
D549,360 S *	8/2007	An	D26/2

D550,864 S *	9/2007	Hernandez et al.	D26/2
D601,280 S	9/2009	Hsu		
D611,642 S	3/2010	Sieczkowski et al.		
D626,258 S	10/2010	Mathew		
D629,929 S *	12/2010	Chen et al.	D26/2

* cited by examiner

Primary Examiner — Marcus Jackson

(74) *Attorney, Agent, or Firm* — Brinks Hofer Gilson & Lione

(57) **CLAIM**

We claim the ornamental design for a light emitting diode lamp, as shown and described.

DESCRIPTION

FIG. 1 is a front perspective view of a light emitting diode lamp of the present invention; FIG. 2 is a front view thereof; FIG. 3 is a rear view thereof; FIG. 4 is a first side view thereof; FIG. 5 is a second side view thereof; FIG. 6 is a top view thereof; and, FIG. 7 is a bottom view thereof.

The broken line showing of light emitting diode lamp is included for the purpose of illustrating environment and forms no part of the claimed design. Applicant disclaims the bottom of the lighting module not shown in the drawings as forming no part of the claimed design.

1 Claim, 7 Drawing Sheets

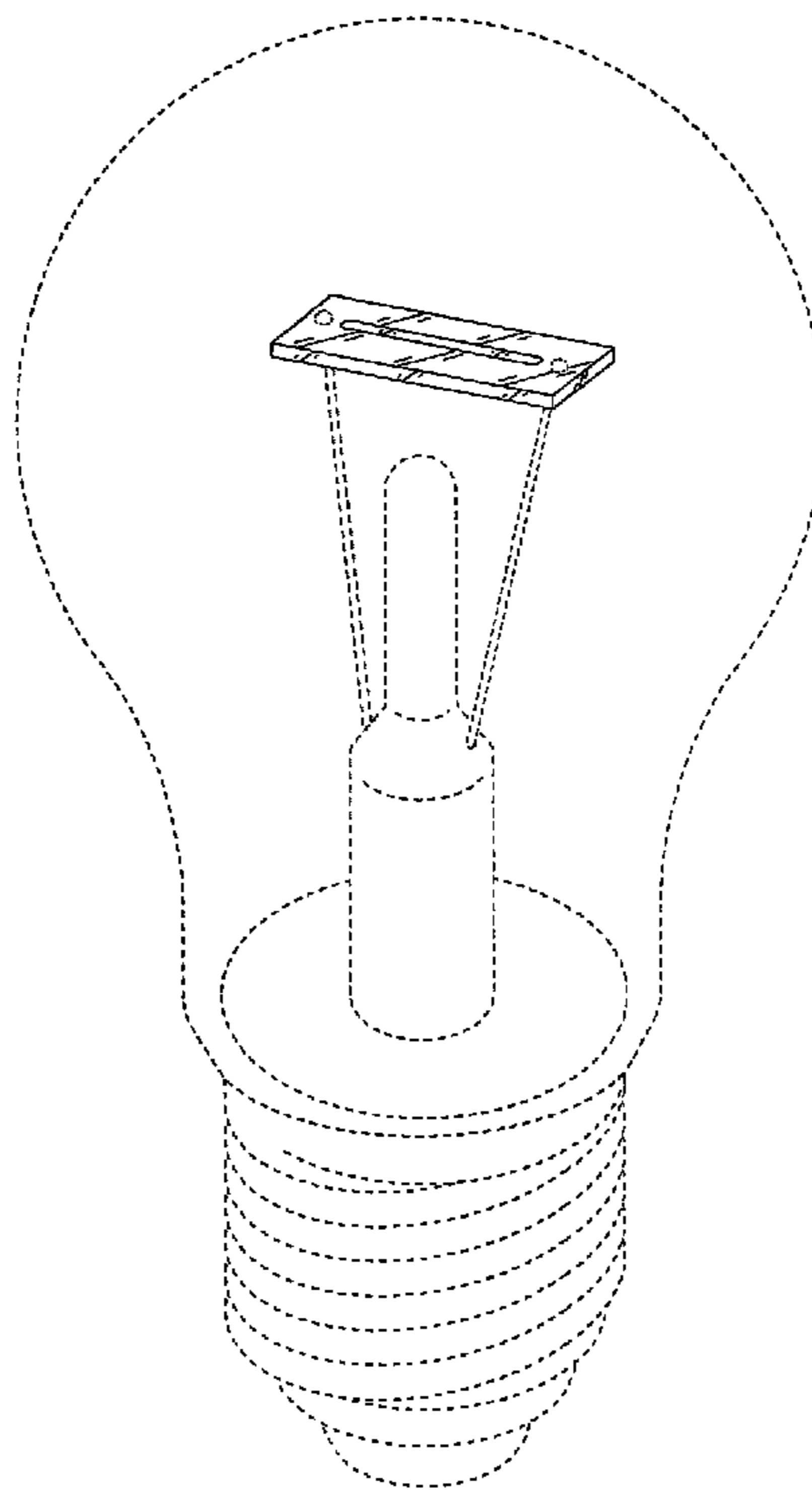


FIG. 1

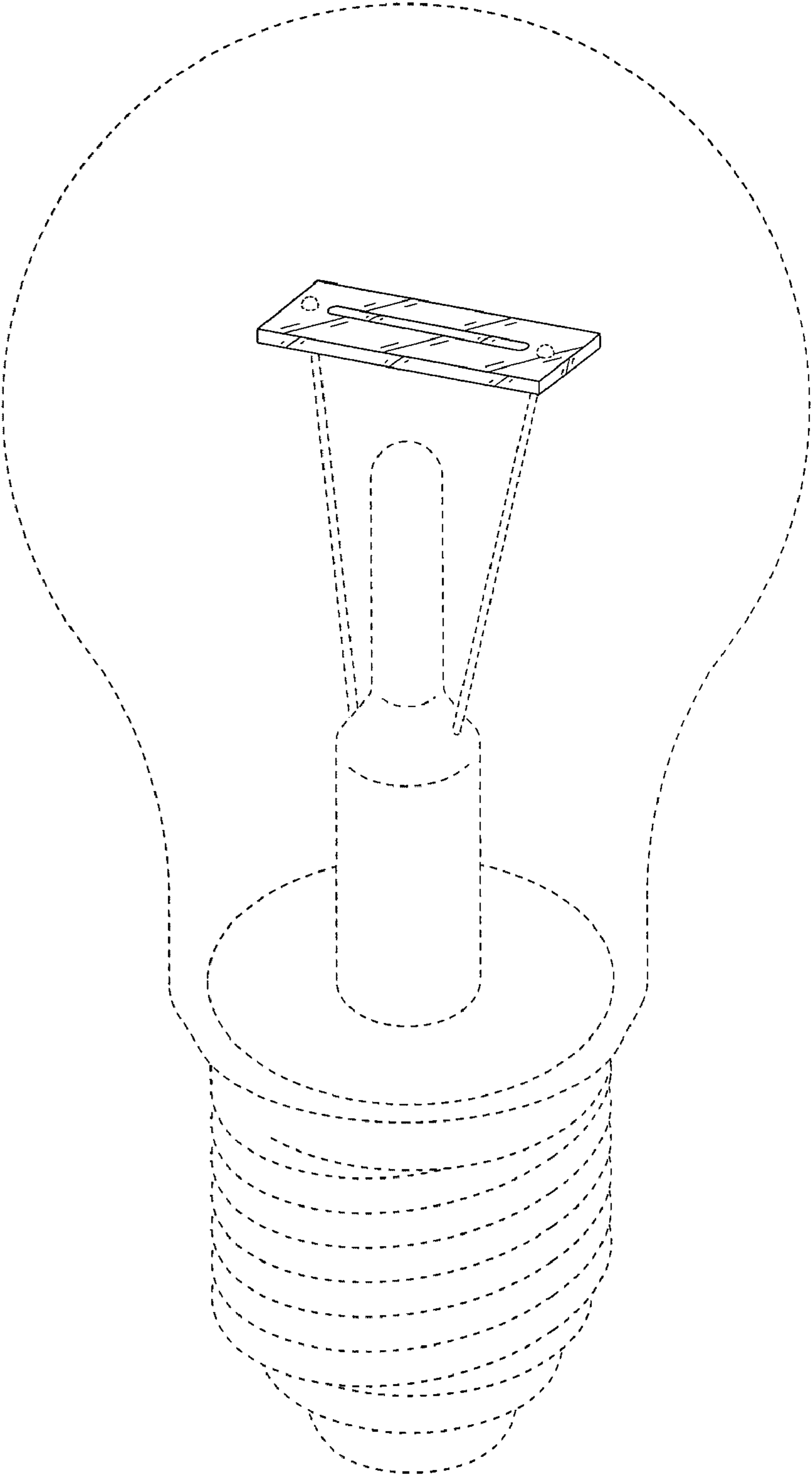


FIG.2

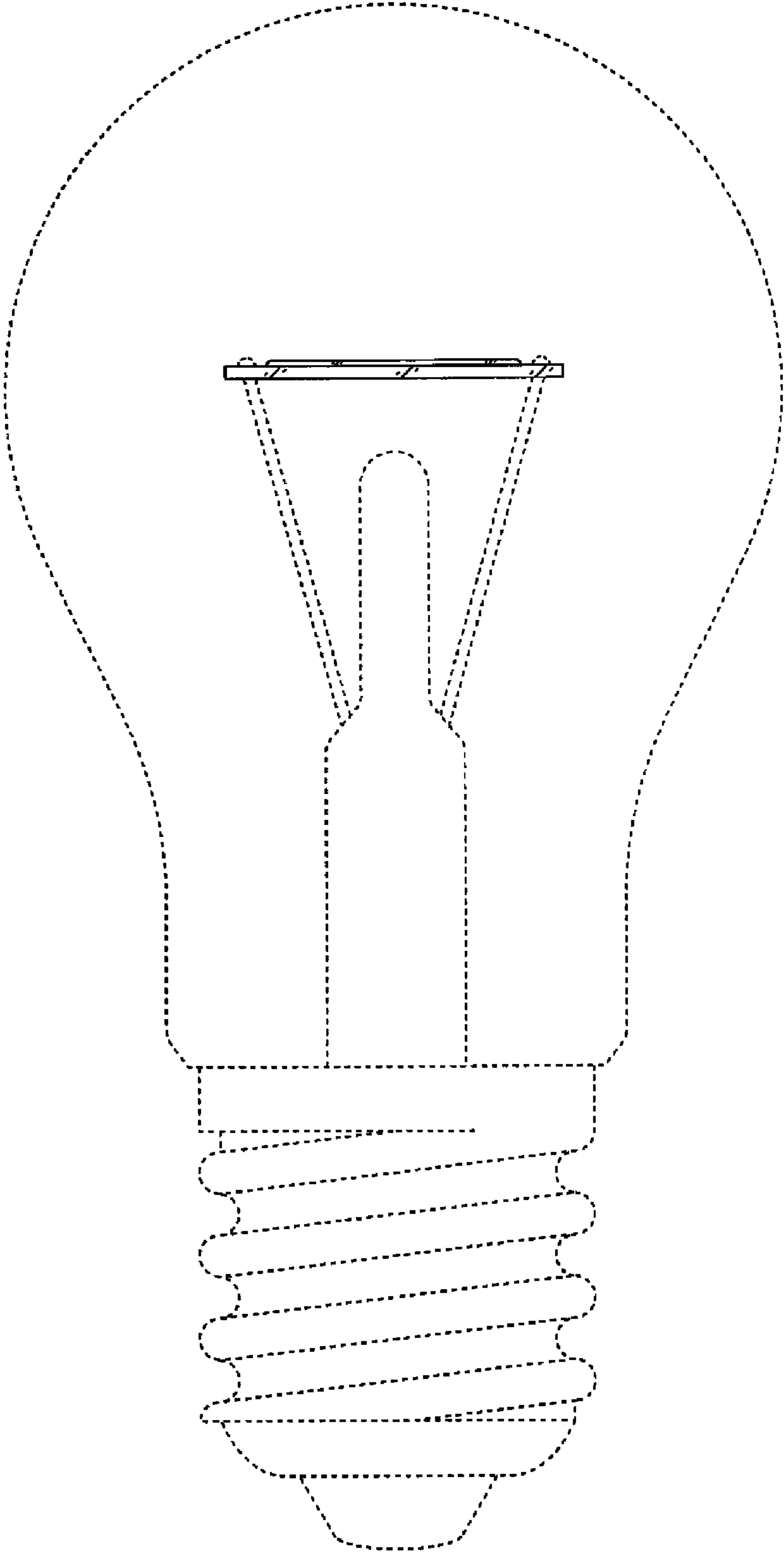


FIG.3

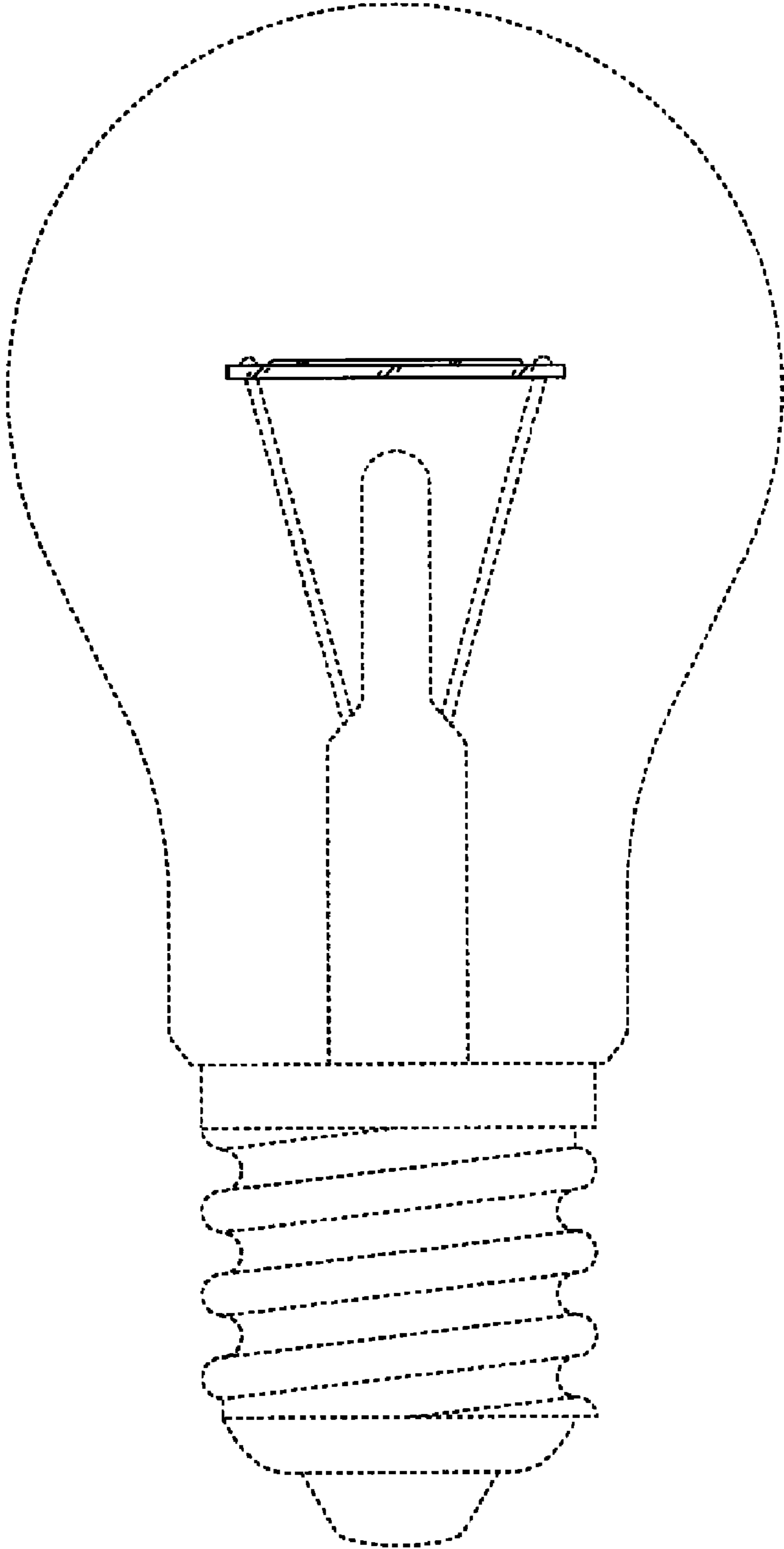


FIG.4

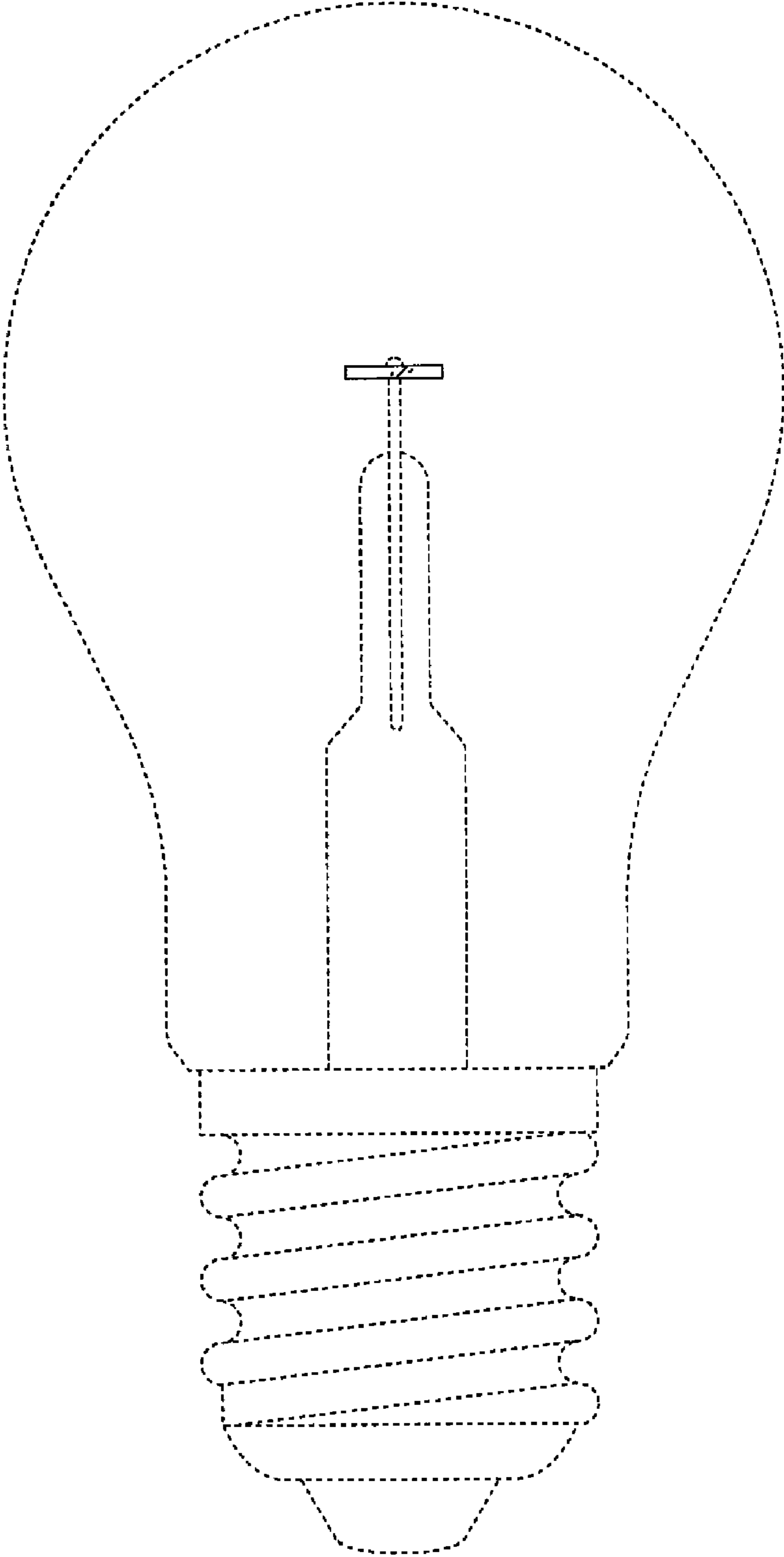


FIG.5

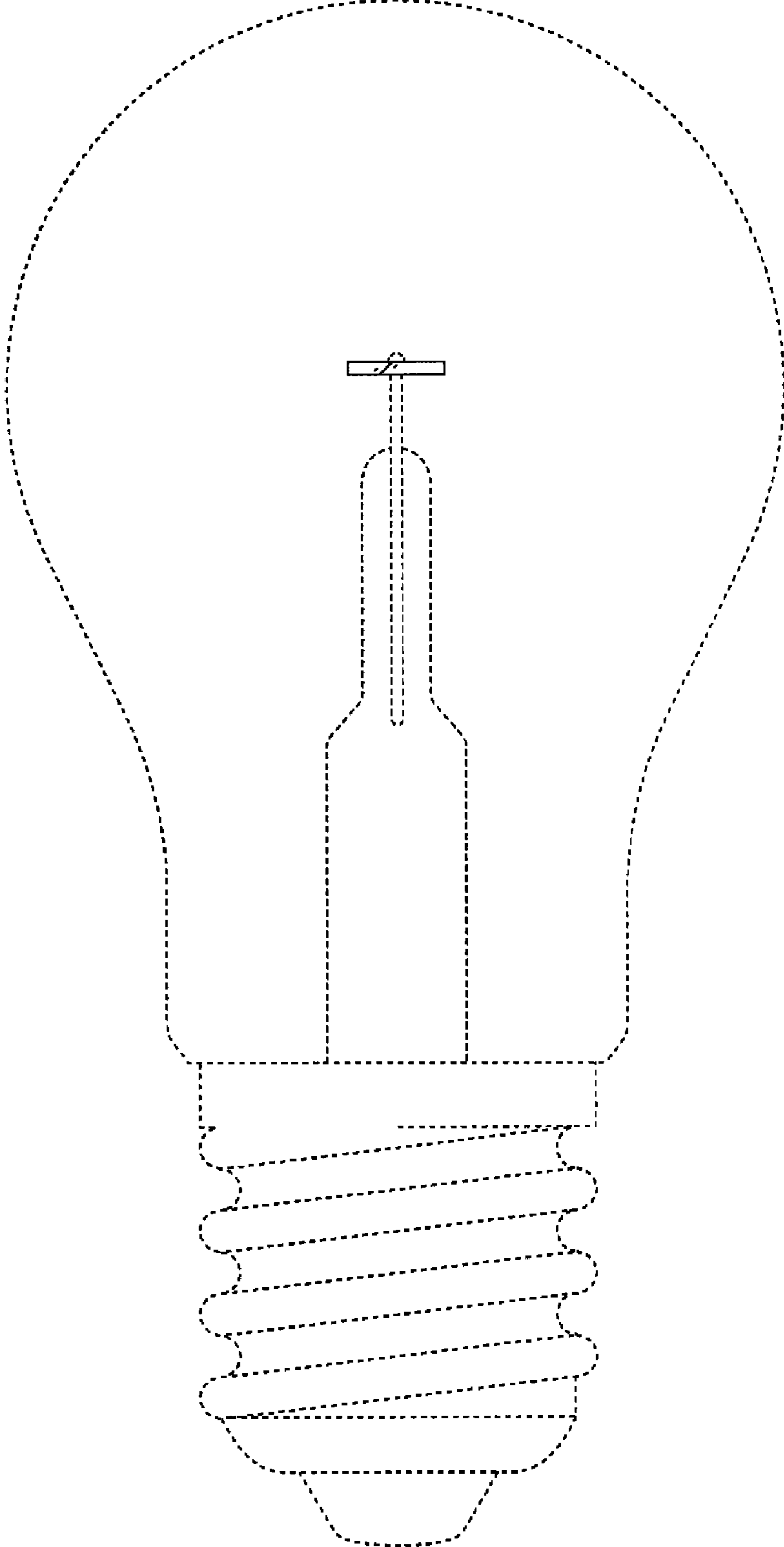


FIG.6

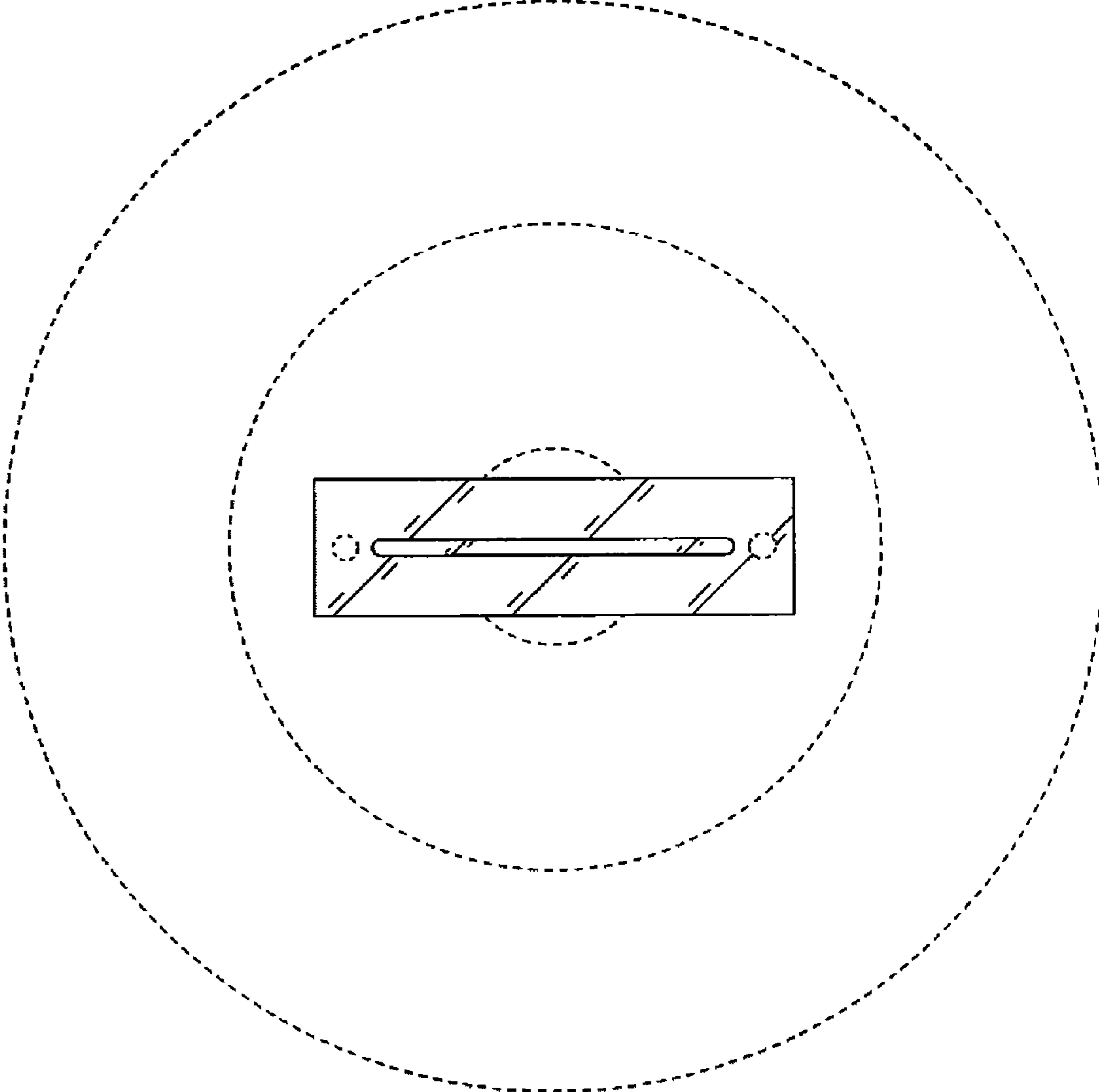


FIG.7

