



US00D646809S

(12) **United States Design Patent**  
**Shi**

(10) **Patent No.:** **US D646,809 S**

(45) **Date of Patent:** **\*\* Oct. 11, 2011**

(54) **LED BULB**

(76) **Inventor:** **Jie Shi**, Nanjing (CN)

(\*\*) **Term:** **14 Years**

(21) **Appl. No.:** **29/387,665**

(22) **Filed:** **Mar. 16, 2011**

(30) **Foreign Application Priority Data**

Sep. 17, 2010 (CN) ..... 2010 3 0524187

(51) **LOC (9) Cl.** ..... **26-04**

(52) **U.S. Cl.** ..... **D26/2**

(58) **Field of Classification Search** ..... D26/1-4;  
313/313, 315, 316, 317, 318, 493; 315/52,  
315/53, 56, 57, 58

See application file for complete search history.

(56) **References Cited**

U.S. PATENT DOCUMENTS

D543,288 S *	5/2007	Bembridge	.....	D26/2
D610,272 S *	2/2010	Guo et al.	.....	D26/2
D633,226 S *	2/2011	Katsaros	.....	D26/2
D634,451 S *	3/2011	de Visser	.....	D26/2

\* cited by examiner

*Primary Examiner* — Marcus Jackson

(74) *Attorney, Agent, or Firm* — Allen, Dyer, Doppelt, Milbrath & Gilchrist, P.A.

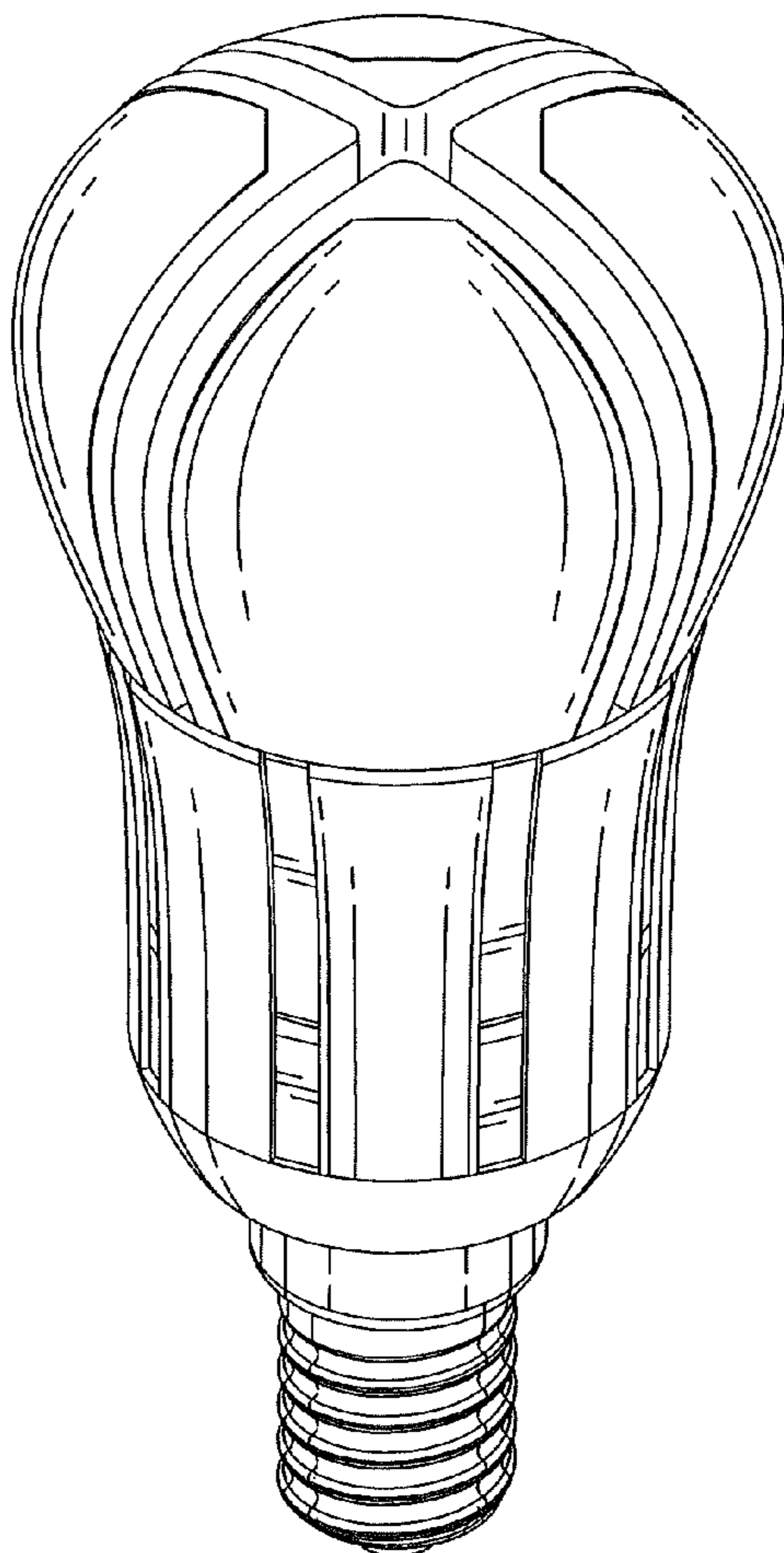
(57) **CLAIM**

The ornamental design for an LED bulb, as shown and described.

**DESCRIPTION**

FIG. 1 is a front view of the LED bulb;  
FIG. 2 is a rear view thereof;  
FIG. 3 is a left view thereof;  
FIG. 4 is a right view thereof;  
FIG. 5 is a bottom view thereof;  
FIG. 6 is a top view thereof; and,  
FIG. 7 is a perspective view of the LED bulb.

**1 Claim, 6 Drawing Sheets**



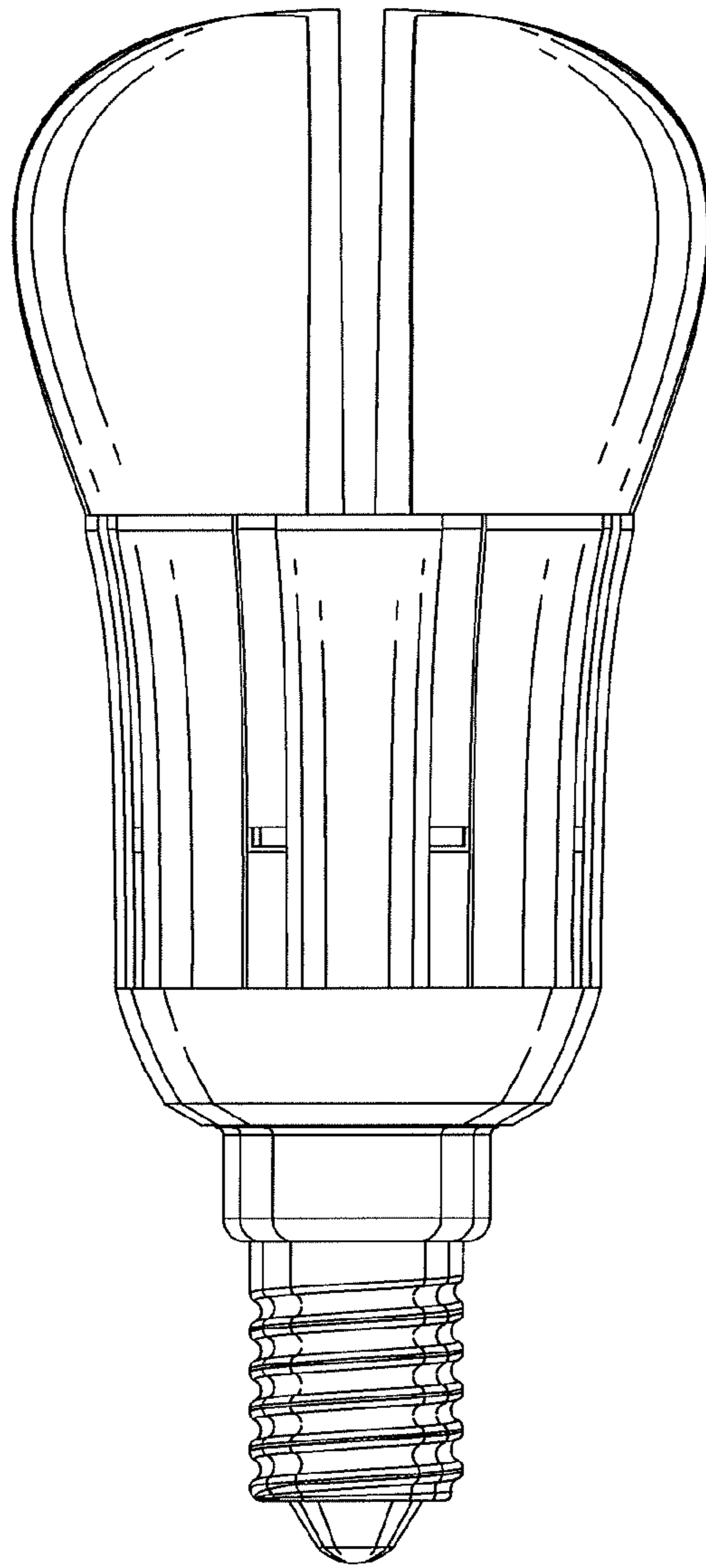


FIG. 1

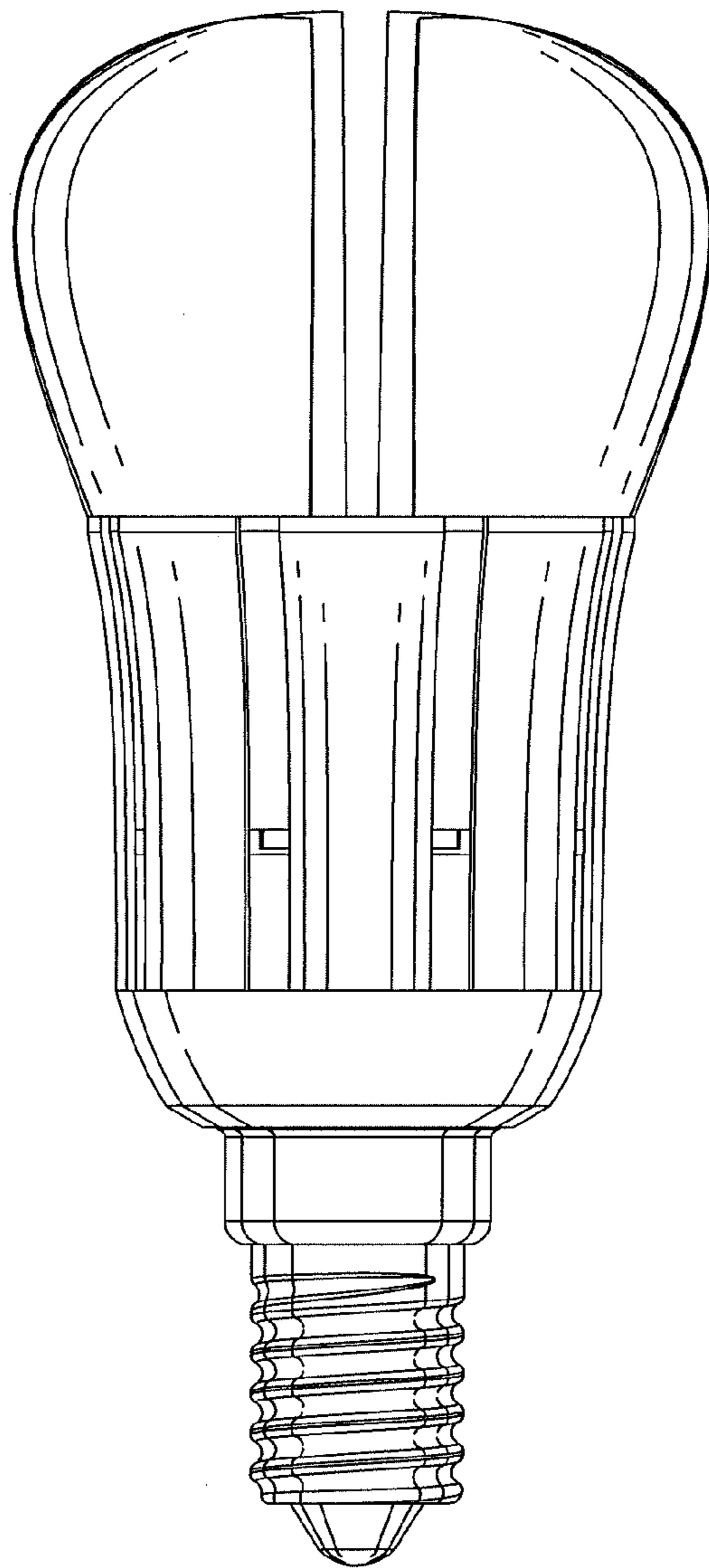
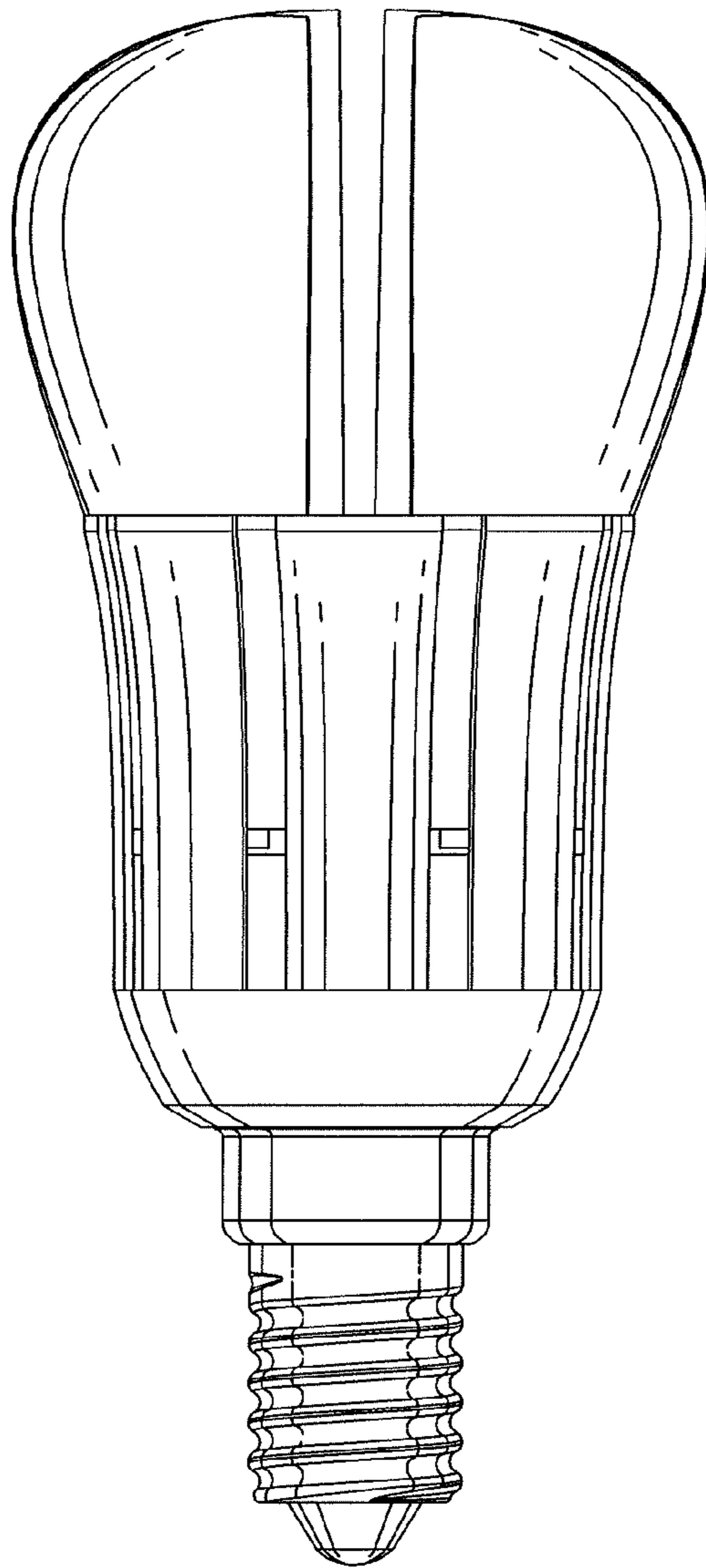
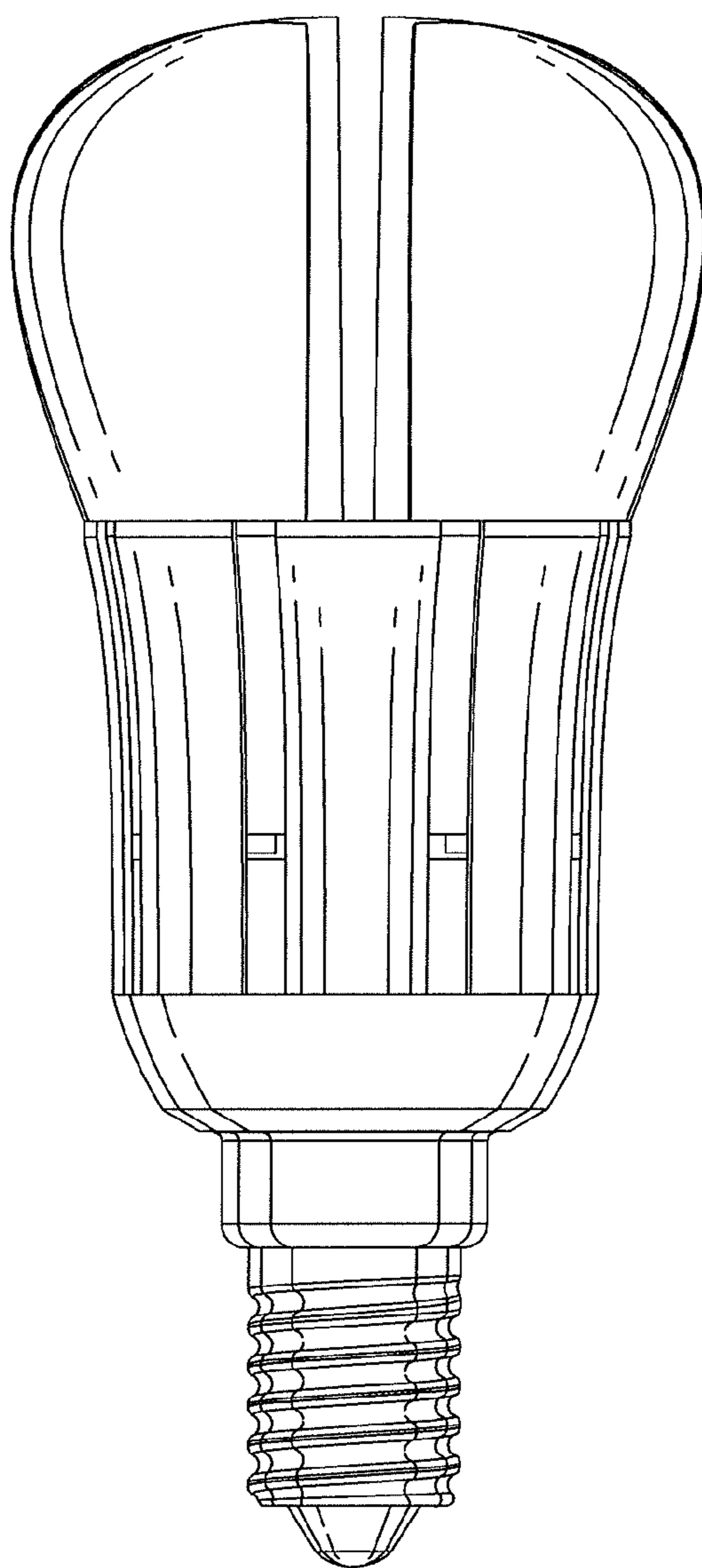


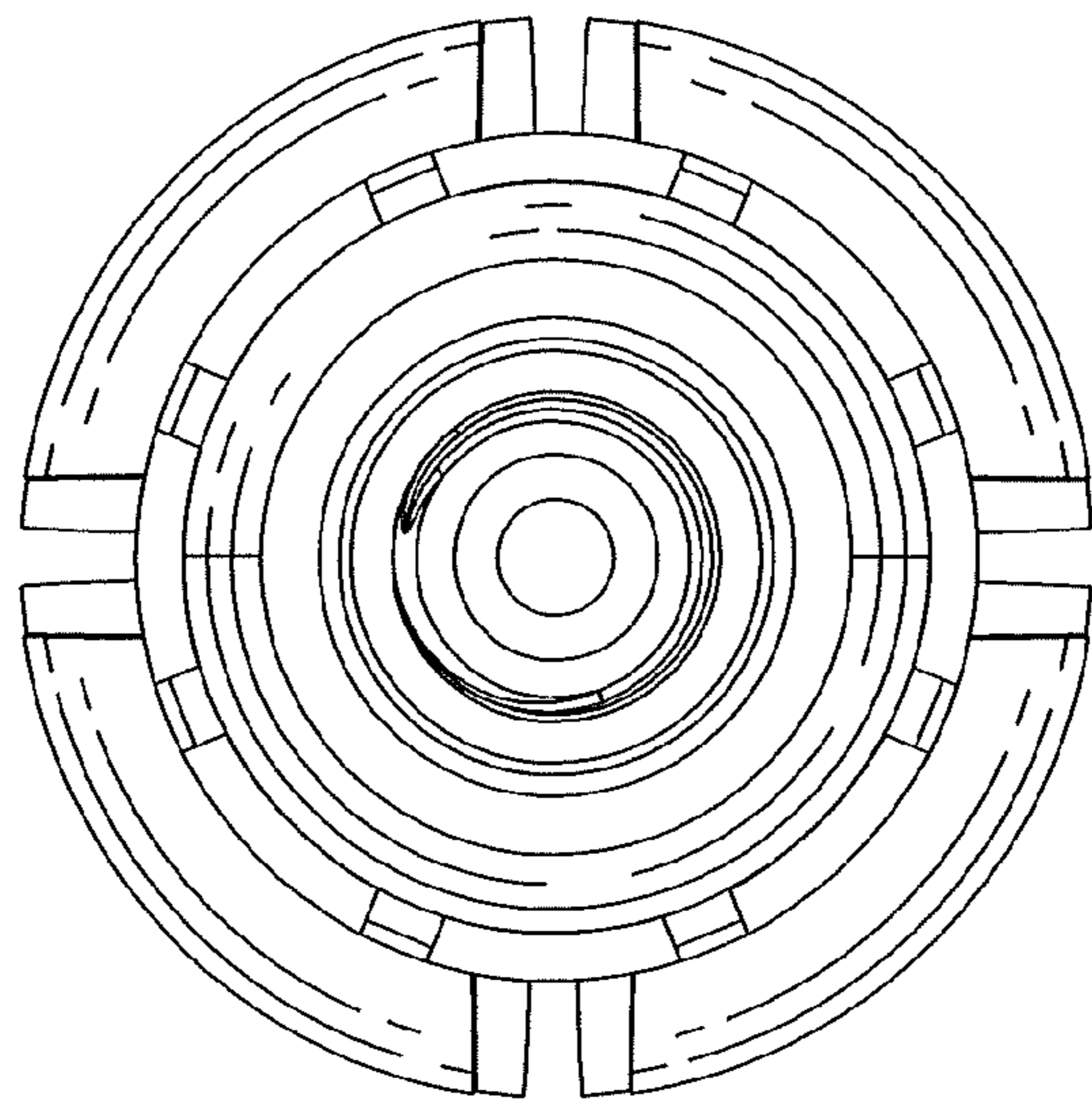
FIG. 2



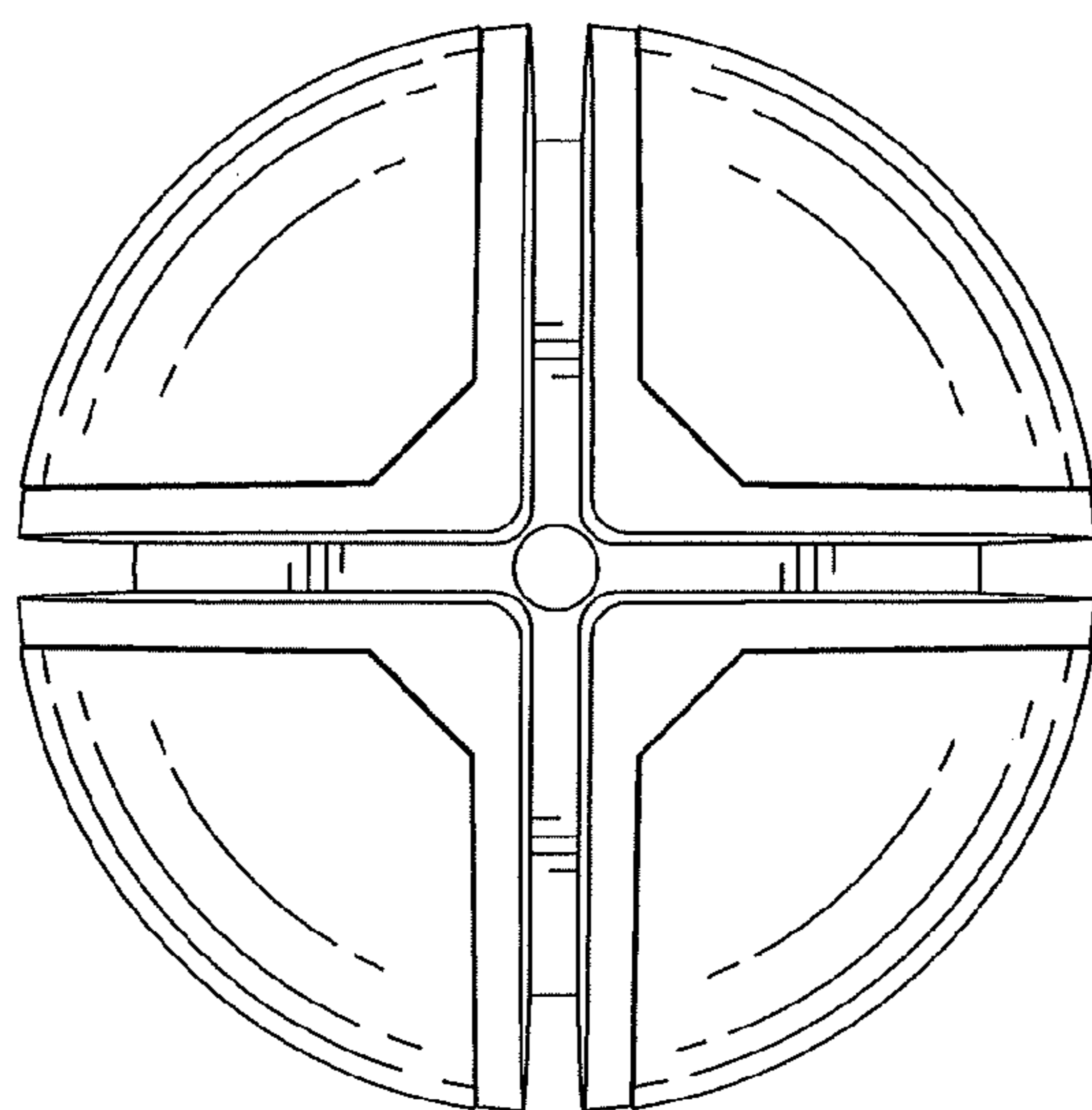
**FIG. 3**



**FIG. 4**

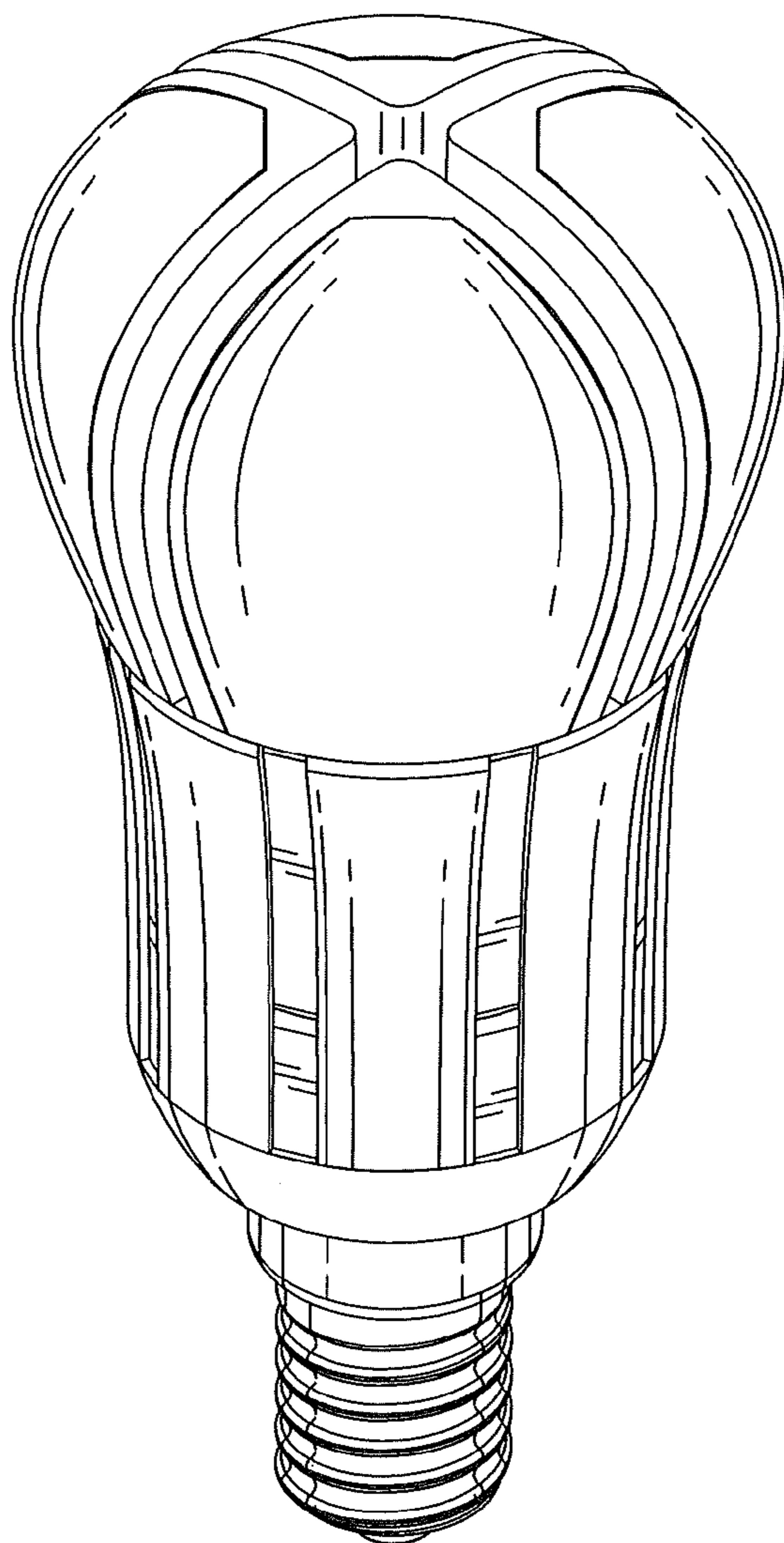


**FIG. 5**



**FIG. 6**





**FIG. 7**