



US00D646804S

(12) **United States Design Patent**
Murakami et al.

(10) **Patent No.:** **US D646,804 S**
(45) **Date of Patent:** **** *Oct. 11, 2011**

(54) **LIGHT EMITTING DIODE LAMP**

(75) Inventors: **Yutaka Murakami**, Shiga (JP); **Kenji Takahashi**, Osaka (JP); **Nobuyuki Matsui**, Osaka (JP); **Tetsushi Tamura**, Osaka (JP); **Yasushige Tomiyoshi**, Osaka (JP)

(73) Assignee: **Panasonic Corporation**, Osaka (JP)

(*) Notice: This patent is subject to a terminal disclaimer.

(**) Term: **14 Years**

(21) Appl. No.: **29/377,223**

(22) Filed: **Oct. 19, 2010**

(30) **Foreign Application Priority Data**

Sep. 17, 2010 (JP) 2010-022412
Sep. 17, 2010 (JP) 2010-022413

(51) **LOC (9) Cl.** **26-04**

(52) **U.S. Cl.** **D26/2**

(58) **Field of Classification Search** D26/1-5,
D26/120, 138, 113; 313/313, 315, 316, 317,
313/318, 493; 315/52, 53, 56, 57, 58; 362/290,
362/294, 309; D13/180, 110

See application file for complete search history.

(56) **References Cited**

U.S. PATENT DOCUMENTS

D480,486 S * 10/2003 Kakuno et al. D26/2
D487,939 S * 3/2004 Smith D26/2
D506,840 S * 6/2005 Van de Ven et al. D26/2
D534,665 S * 1/2007 Egawa et al. D26/2
D602,614 S * 10/2009 Takahashi et al. D26/2
D613,888 S * 4/2010 Hiraga et al. D26/2
D614,319 S * 4/2010 Murakami D26/2
D617,920 S * 6/2010 Hiraga et al. D26/2

(Continued)

FOREIGN PATENT DOCUMENTS

JP D1363593 * 6/2009

(Continued)

OTHER PUBLICATIONS

3w LED bulb, Shenzhen You Tu Trading Co., Ltd. © 2003-2010 ECVV Co., Ltd, posting date not given, [online], [site visited Jun. 11, 2011]. Available from Internet ,<URL:http://www.ecvv.com/product/2785764.html>.*

(Continued)

Primary Examiner — Jeffrey D Asch

(74) *Attorney, Agent, or Firm* — Brinks Hofer Gilson & Lione

(57) **CLAIM**

We claim the ornamental design for a light emitting diode lamp, as shown and described.

DESCRIPTION

FIG. 1 is a top perspective view of a first embodiment of a light emitting diode lamp of the present invention;

FIG. 2 is a front view thereof;

FIG. 3 is a rear view thereof;

FIG. 4 is a first side view thereof;

FIG. 5 is a second side view thereof;

FIG. 6 is a top view thereof;

FIG. 7 is a bottom view thereof;

FIG. 8 is a top perspective view of a second embodiment of a light emitting diode lamp of the present invention;

FIG. 9 is a front view thereof;

FIG. 10 is a rear view thereof;

FIG. 11 is a first side view thereof;

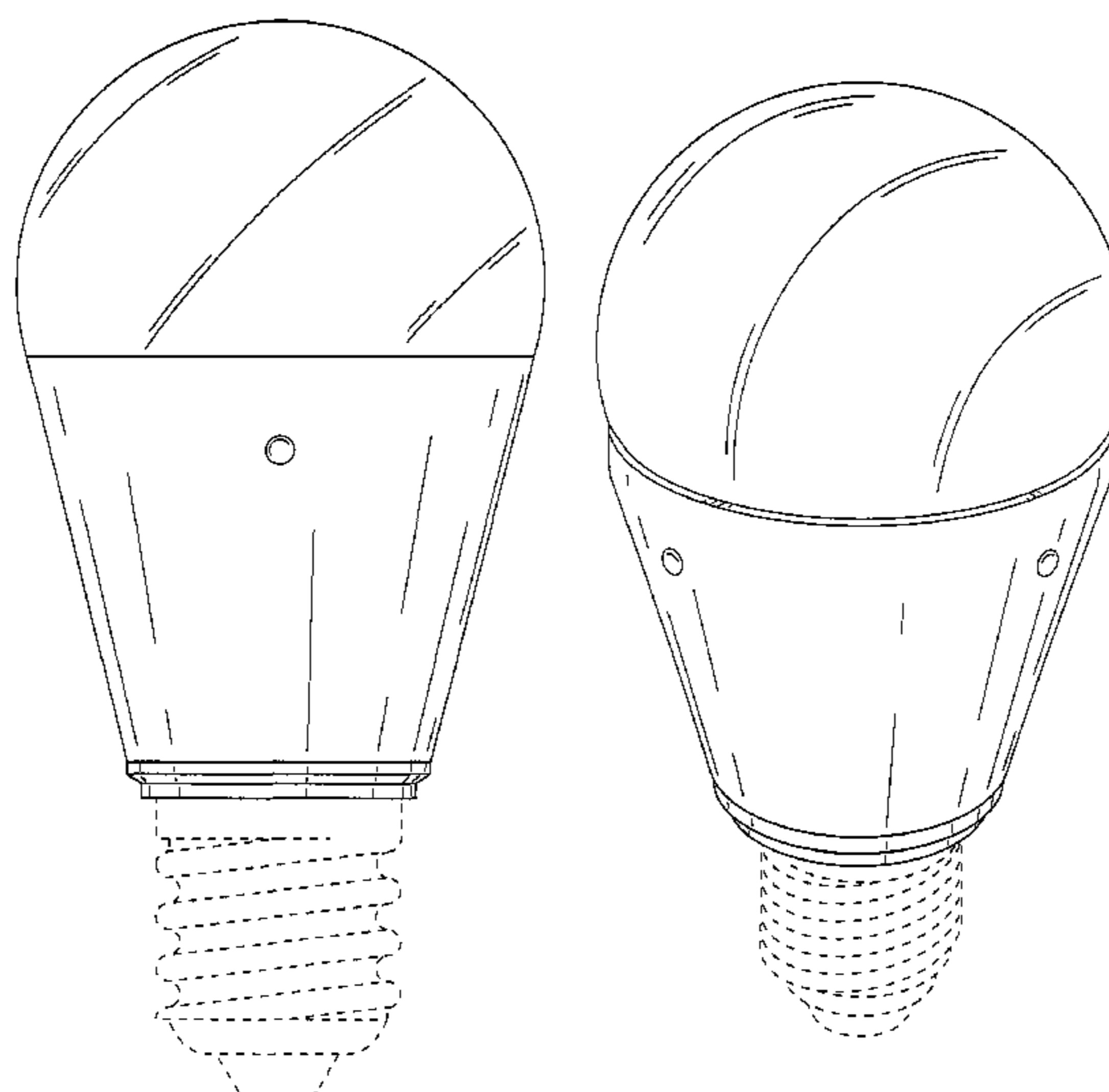
FIG. 12 is a second side view thereof;

FIG. 13 is a top view thereof; and,

FIG. 14 is a bottom view thereof.

The broken line showing of light emitting diode lamp is included for the purpose of illustrating environment and forms no part of the claimed design.

1 Claim, 14 Drawing Sheets



US D646,804 S

Page 2

U.S. PATENT DOCUMENTS

7,758,223	B2 *	7/2010	Osawa et al.	362/547
D628,320	S *	11/2010	Yamamoto	D26/2
D628,723	S *	12/2010	Yamamoto et al.	D26/2
D629,130	S *	12/2010	Murakami et al.	D26/2
D633,227	S *	2/2011	Murakami et al.	D26/2
D634,451	S *	3/2011	de Visser	D26/2
D635,281	S *	3/2011	Murakami et al.	D26/2
2006/0227558	A1 *	10/2006	Osawa et al.	362/351
2010/0052542	A1 *	3/2010	Siemiet et al.	315/129
2010/0244694	A1 *	9/2010	Osawa et al.	315/32
2011/0095687	A1 *	4/2011	Jonsson	315/51

FOREIGN PATENT DOCUMENTS

JP	D1363595	6/2009
JP	D1363596	6/2009
JP	D1363597	6/2009
JP	D1383974	3/2010
JP	D1383975	3/2010

OTHER PUBLICATIONS

Panasonic showcases it Everleds industry's highest energy efficient LED light Bulbs, Japan Technology Information, © 2008, posting date Sep. 11, 2009, [online], [site visited Jun. 11, 2011]. Available from Internet, <URL:<http://japantechniche.com/2009/09/11/panasonic-showcases-it-everleds-industry-highest-energy-efficiency-led-lightbulbs/>>.*

Philips launches range of LED bulbs range for India, PC's Electronics Blog, © 2010 Kingly LED Light Co., posting date Oct. 13, 2010, [online], [site visited Jun. 11, 2011]. Available from Internet, <URL:<http://pcconsumerelectronics.blogspot.com/2010/10/philips-launches-range-of-led-bulbs.html>>.*

4W,7W,9W MCOB Led Bulb, CNC Lighting Co., Ltd., © CNC Lighting Technology Co., Ltd, posting date not given, [online], [site visited Jun. 11, 2011]. Available from Internet, <URL:<http://pcconsumerelectronics.blogspot.com/2010/10/philips-launches-range-of-led-bulbs.html>>.*

* cited by examiner

FIG.1

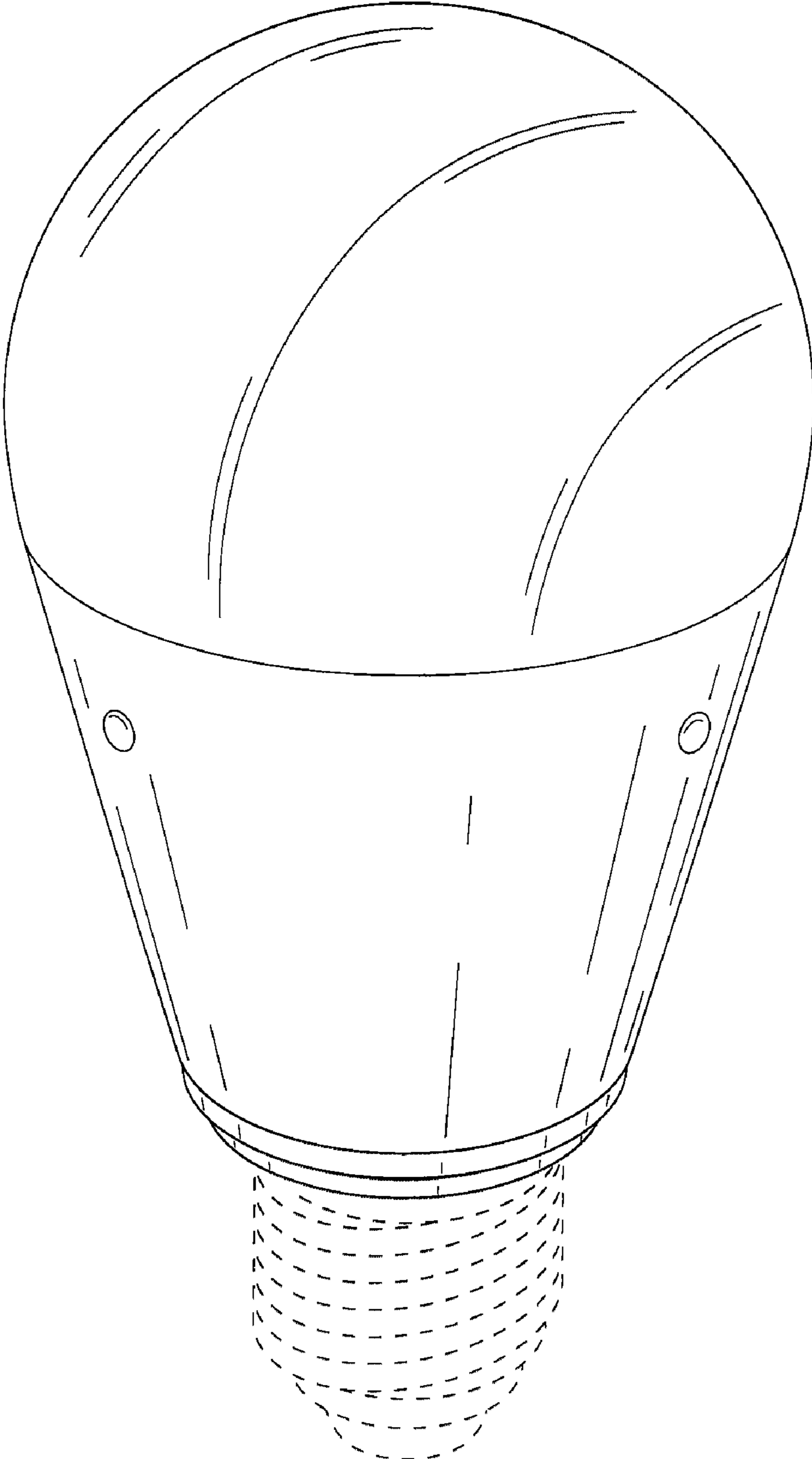


FIG.2

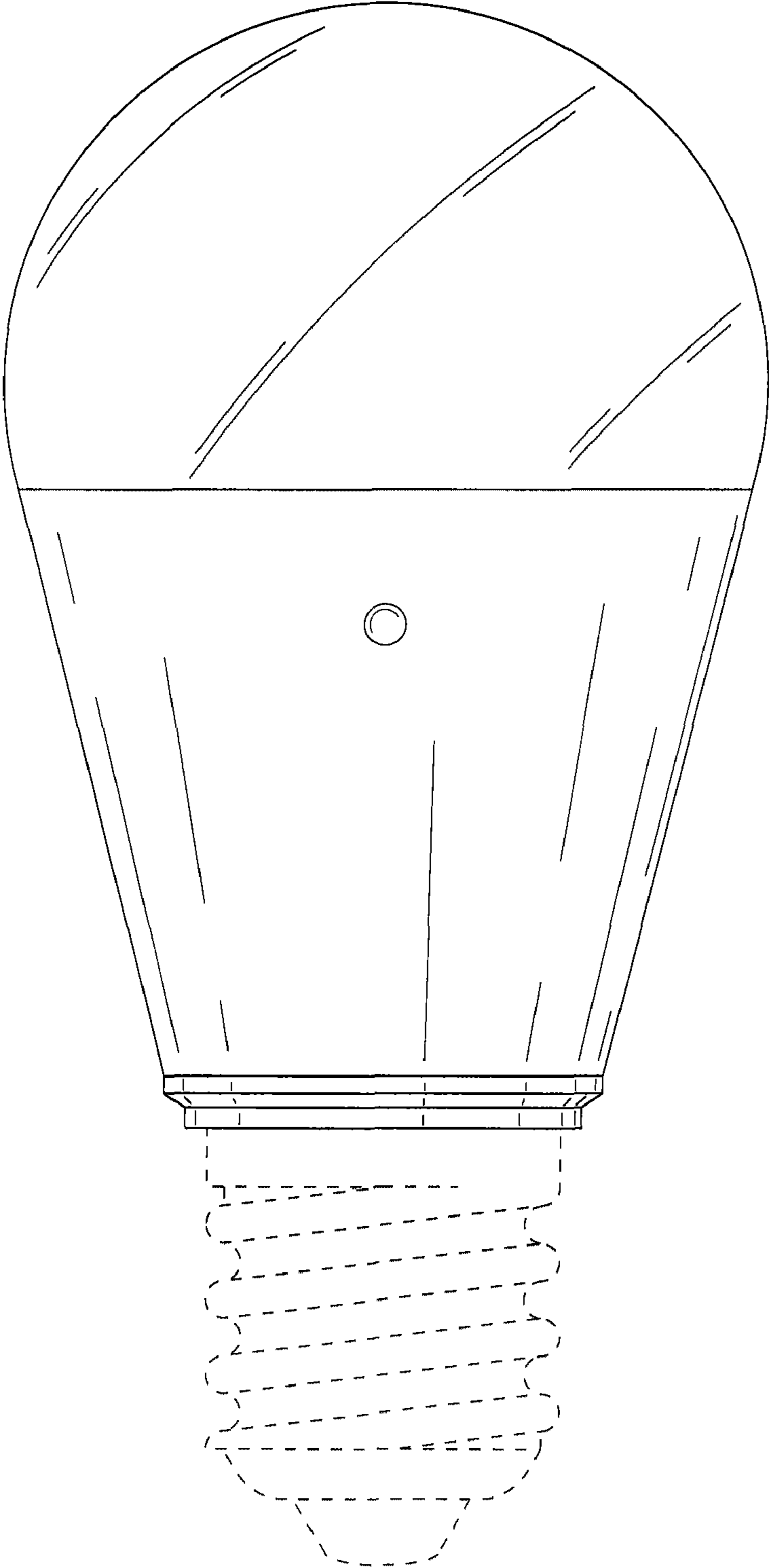


FIG.3

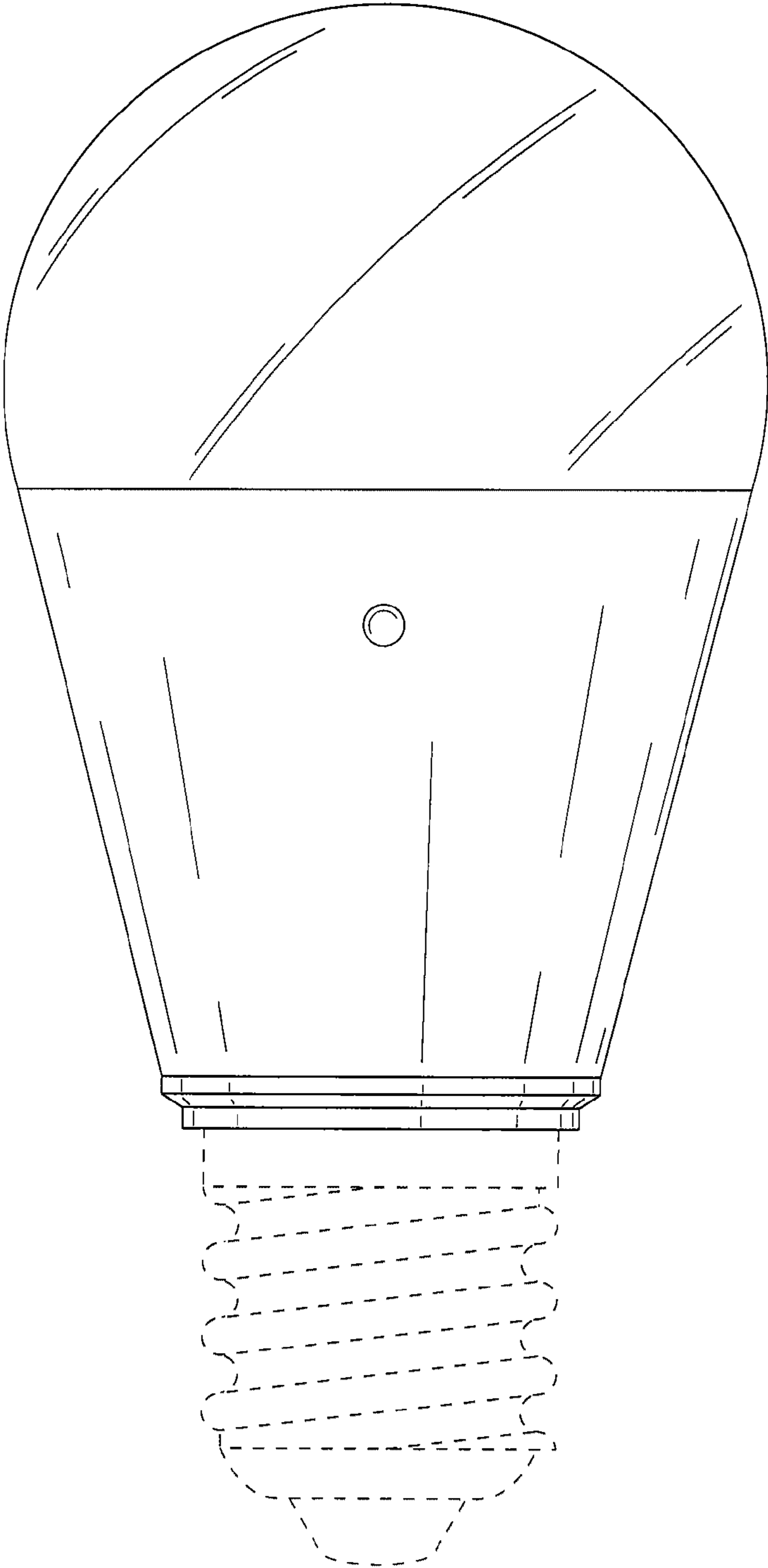


FIG.4

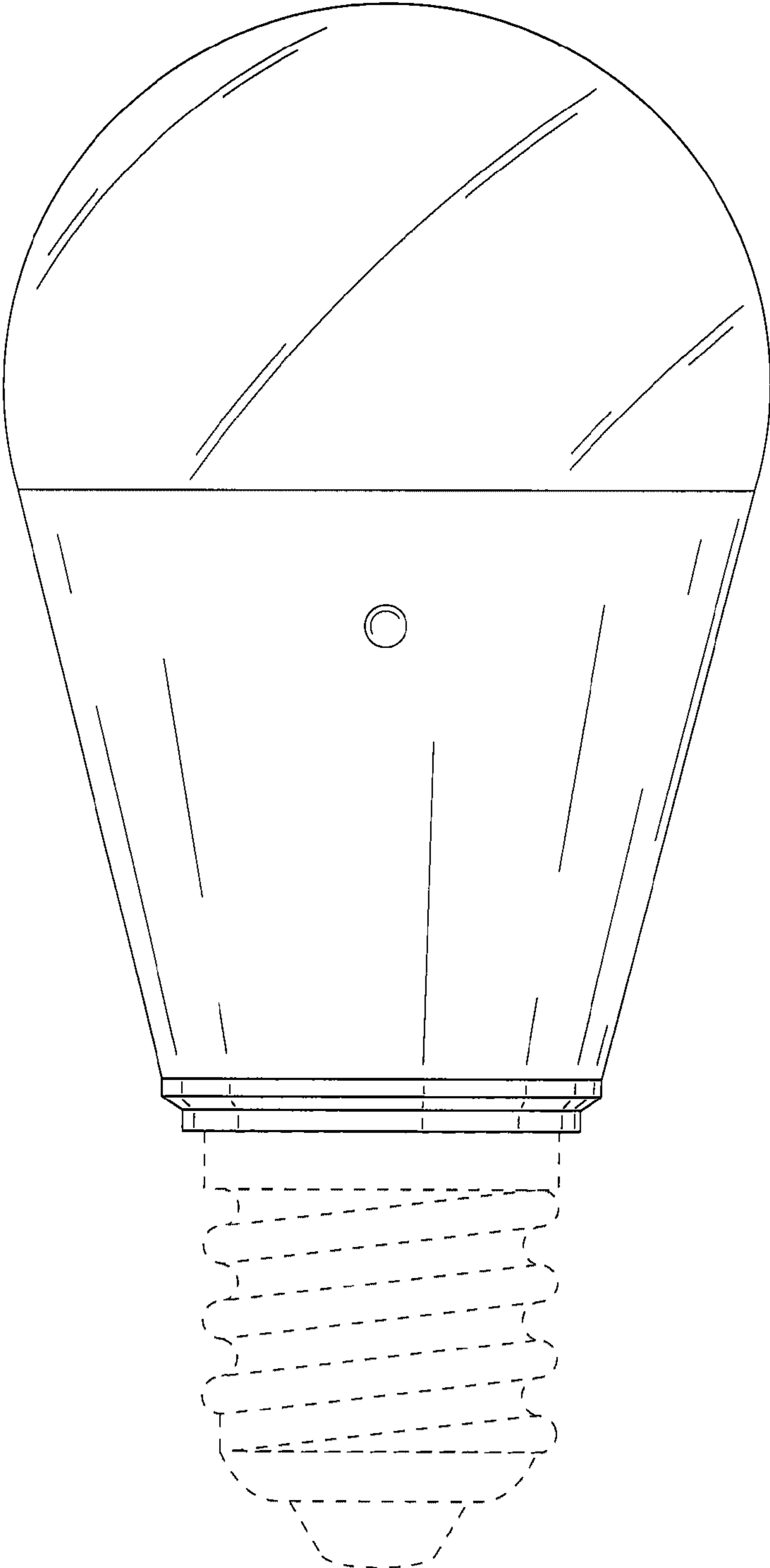


FIG.5

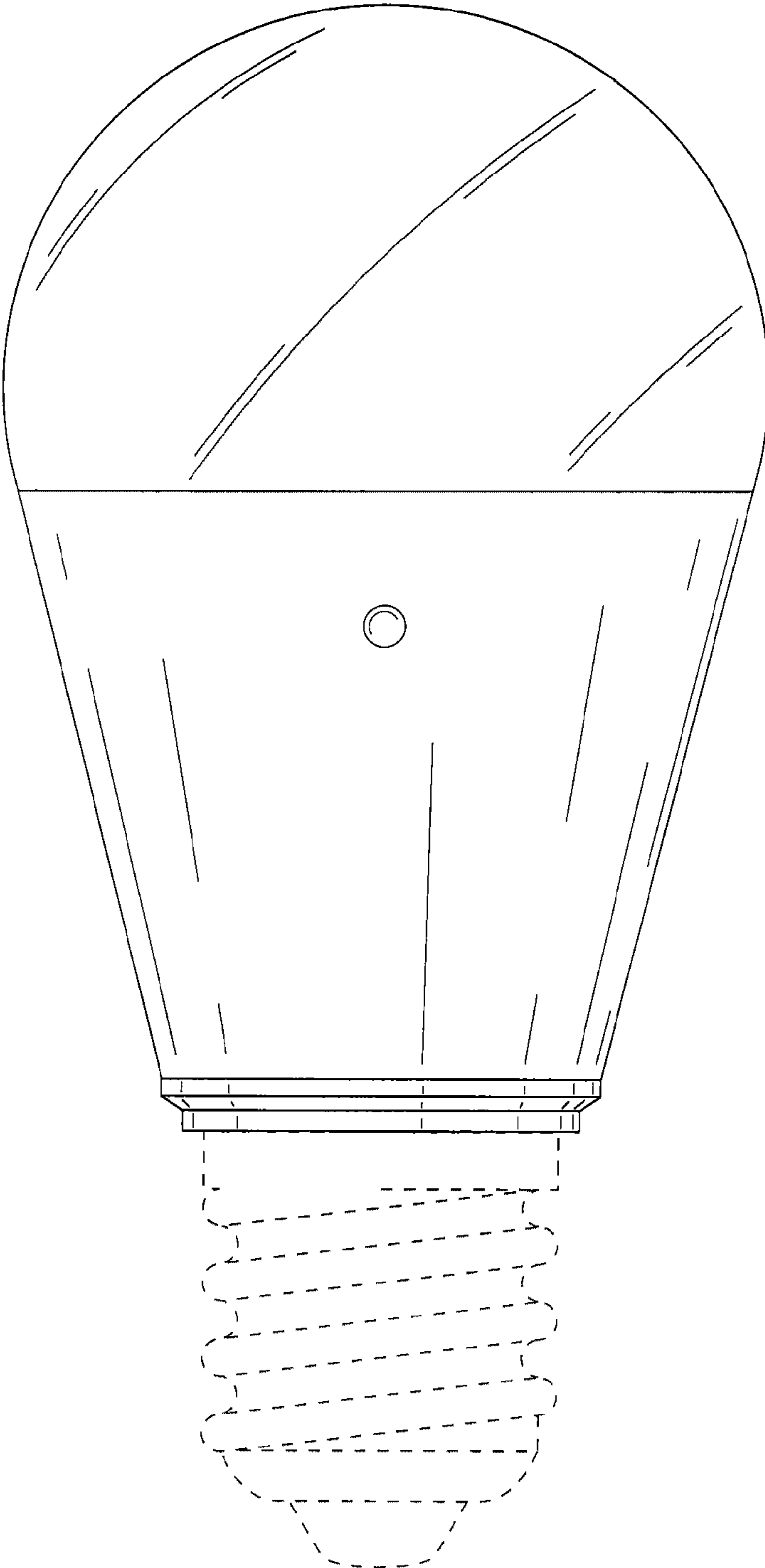


FIG.6

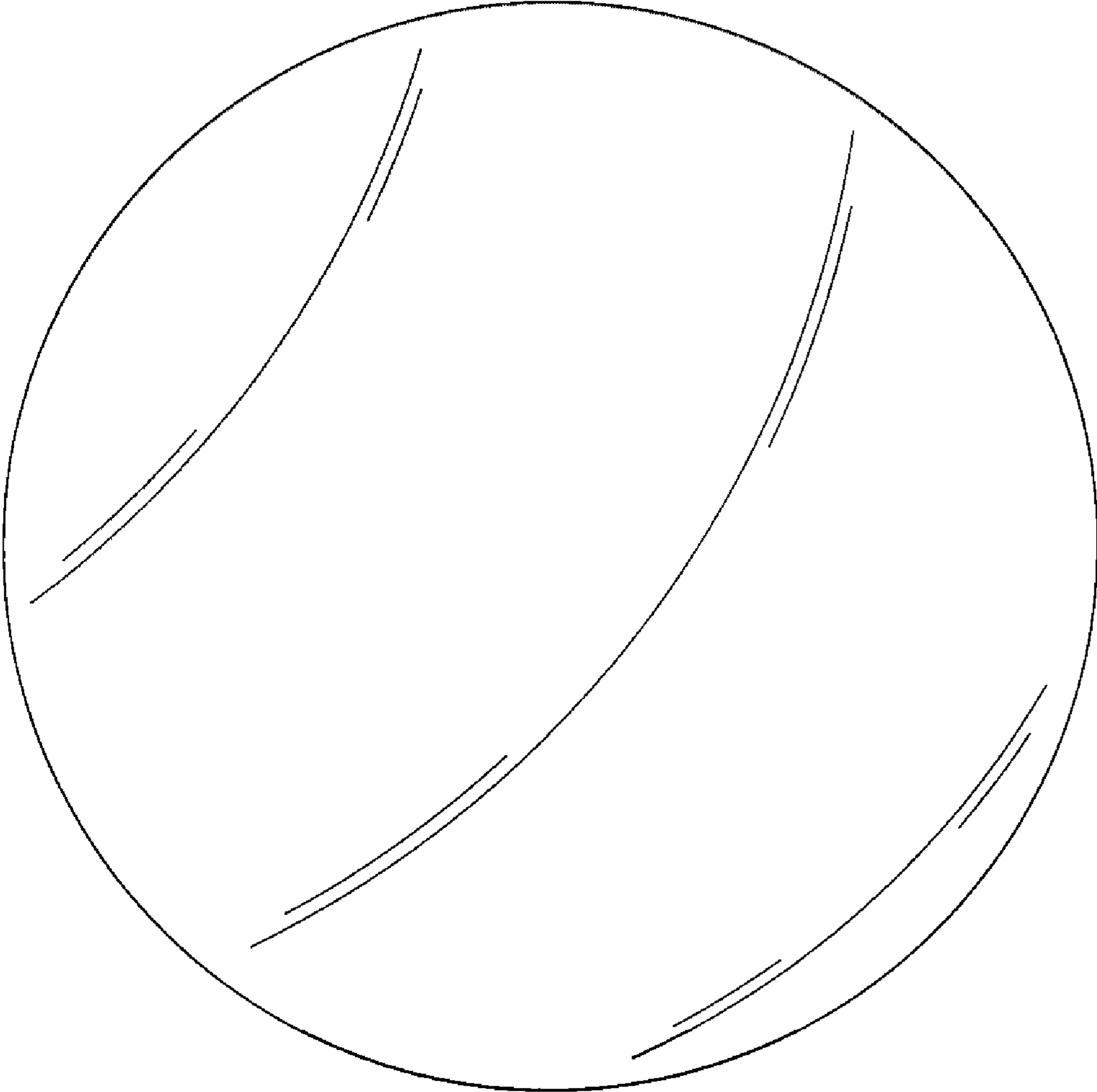


FIG.7

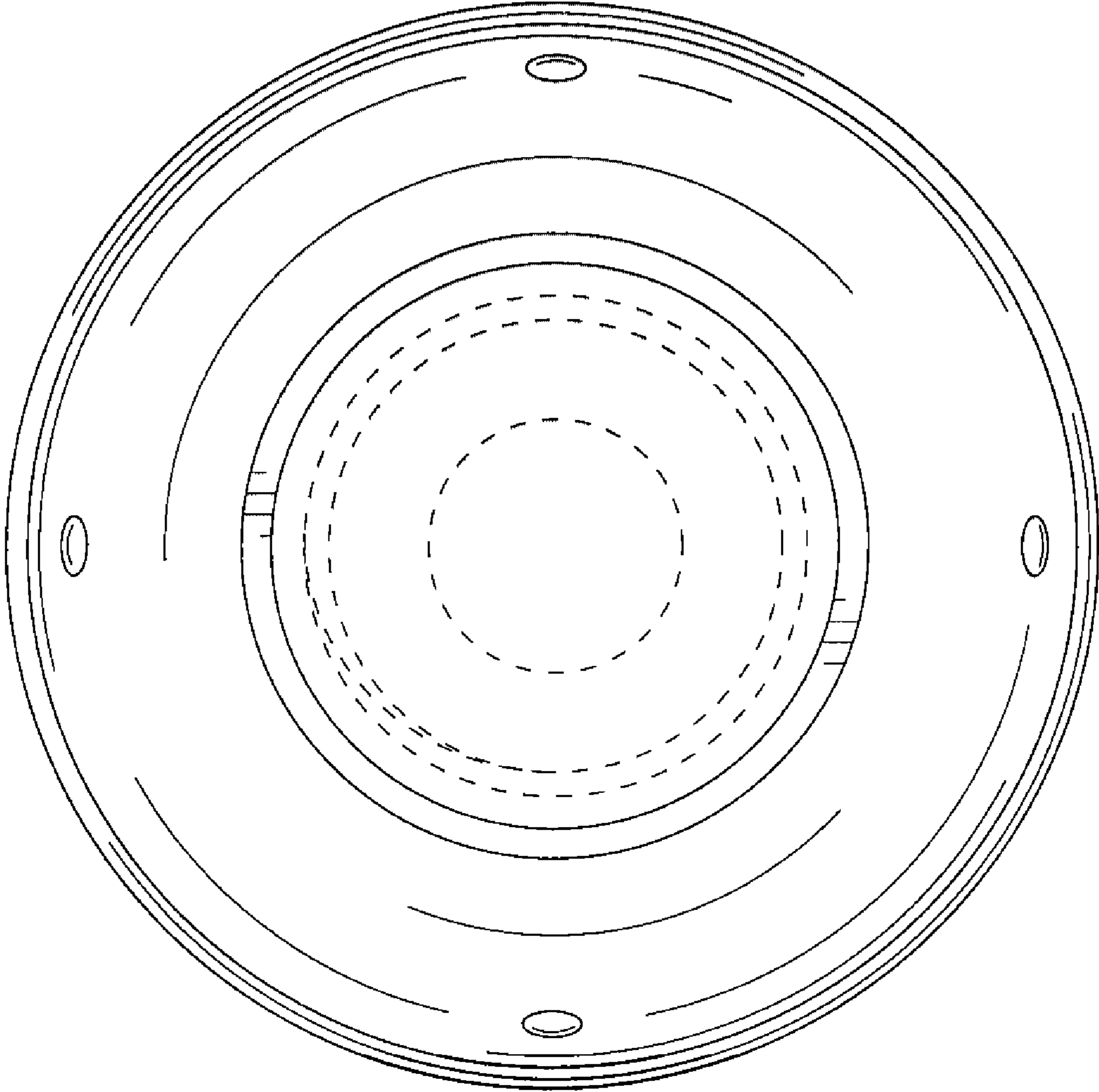


FIG.8

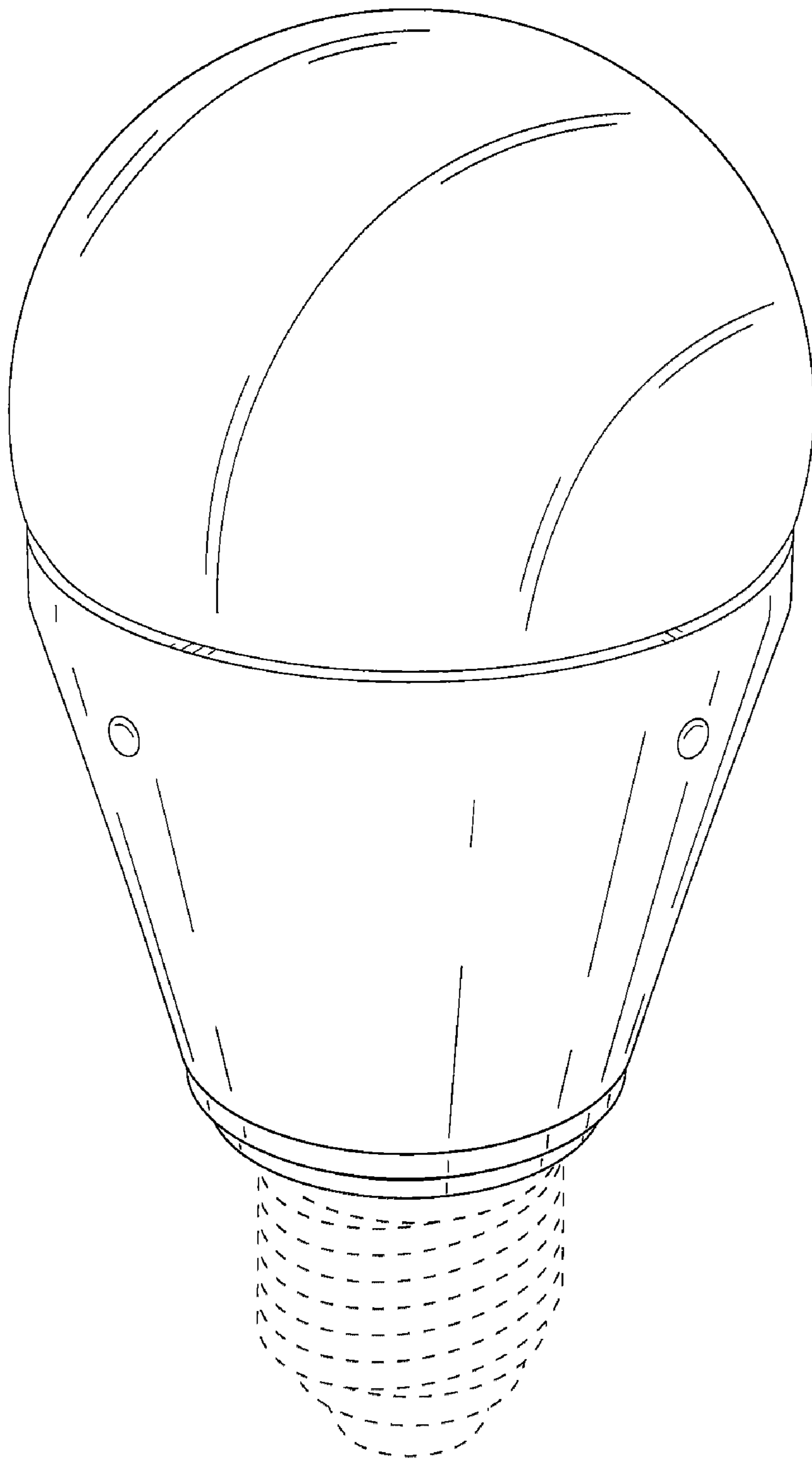


FIG.9

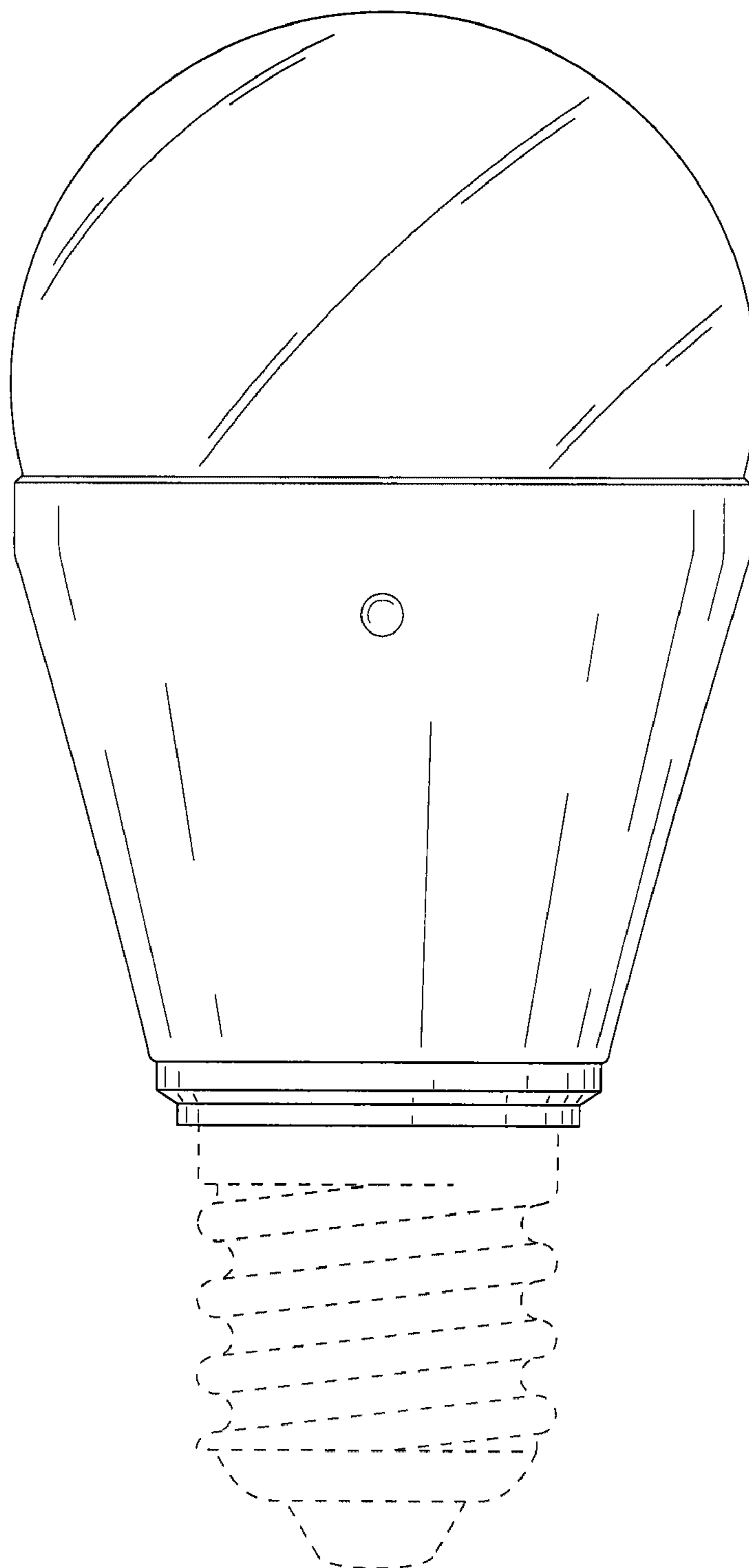


FIG.10

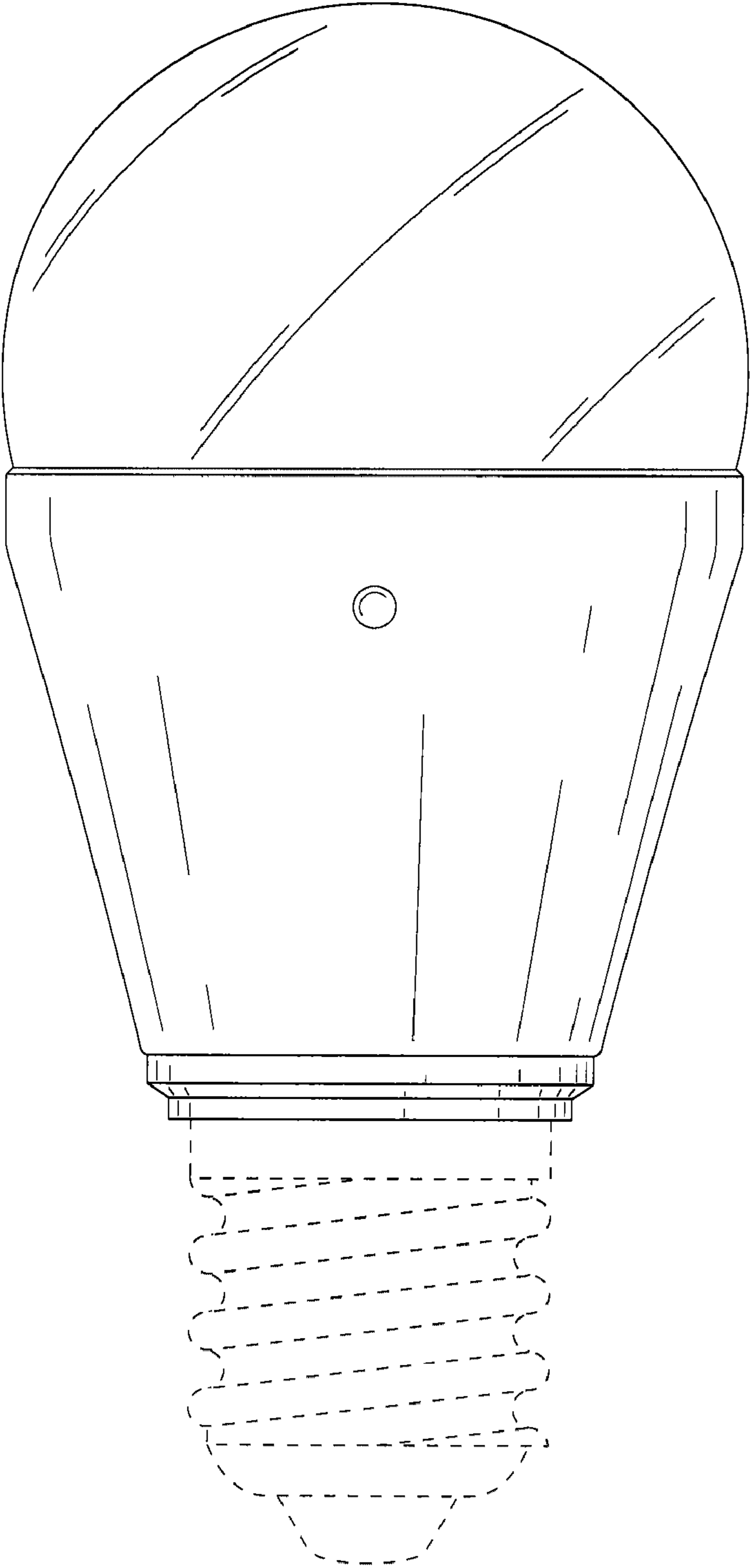


FIG.11

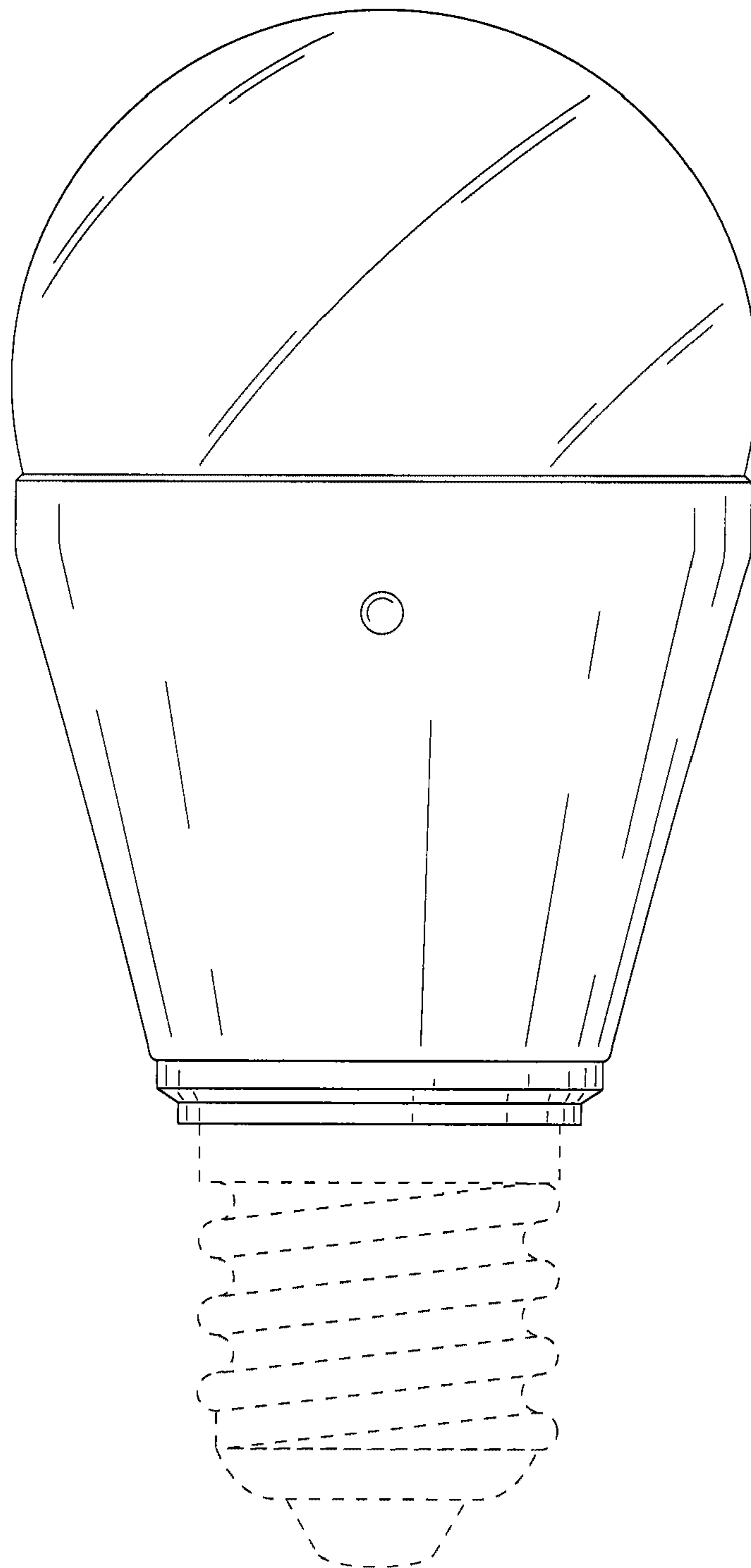


FIG.12

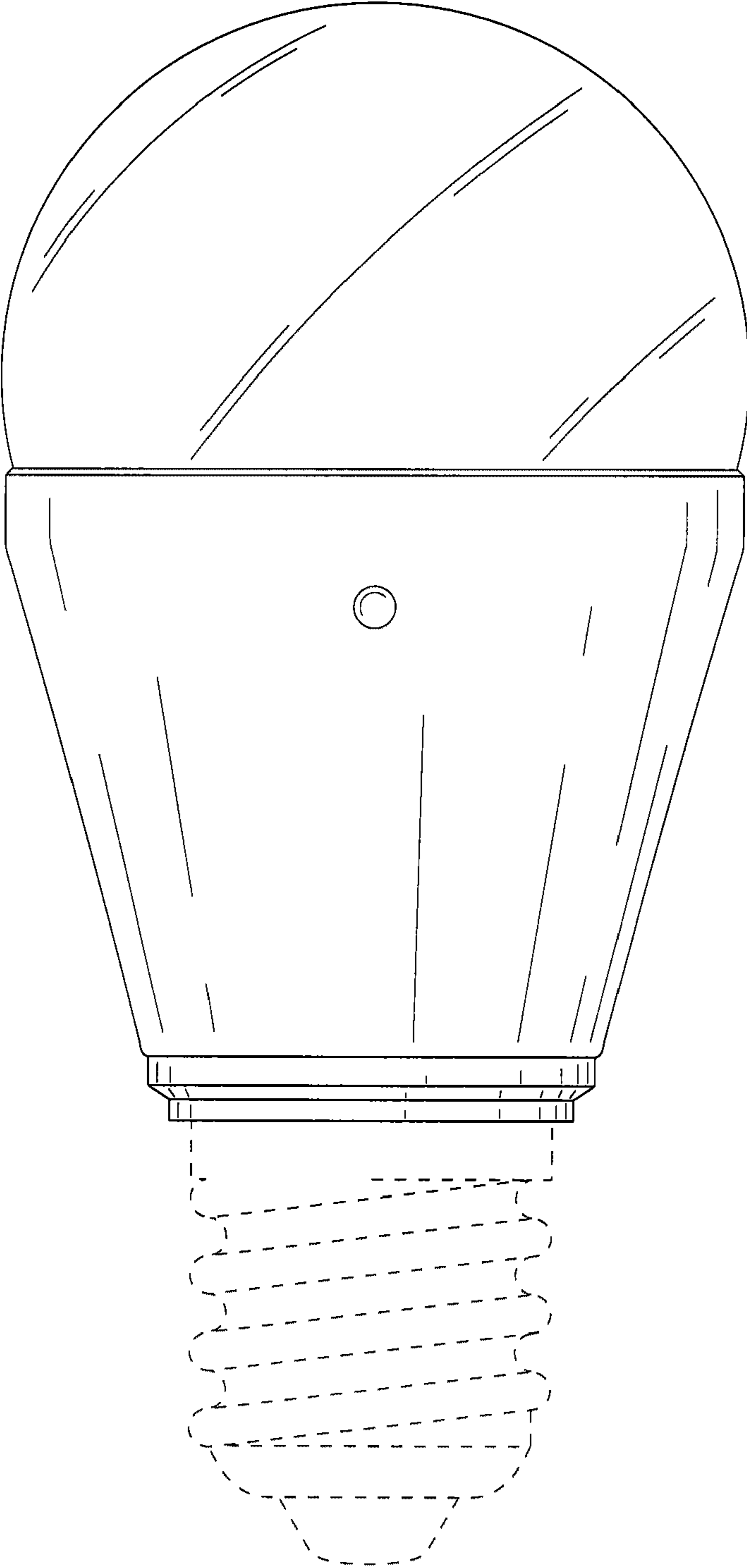


FIG.13

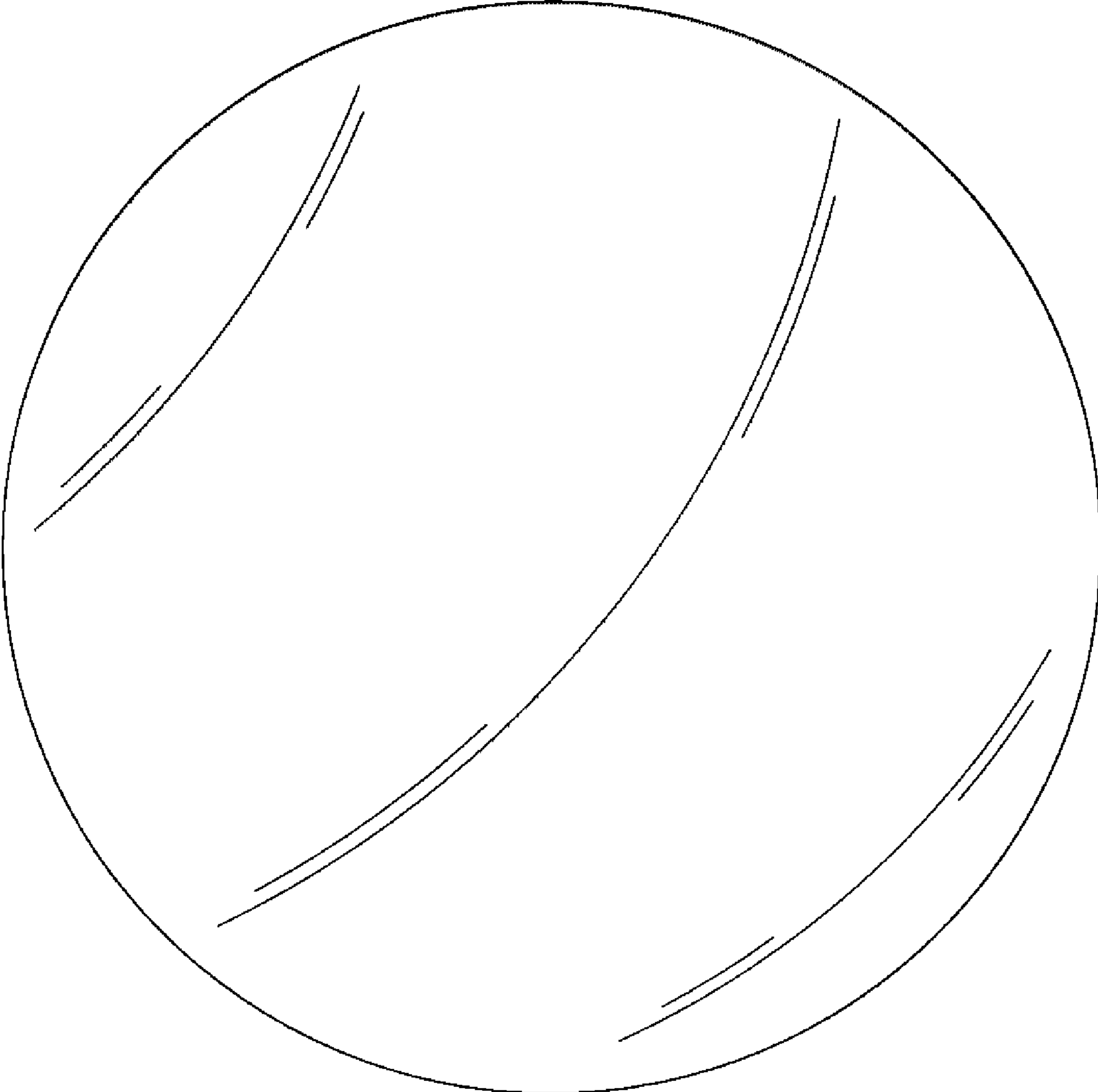


FIG.14

