

US00D646803S

(12) **United States Design Patent**
Jeong et al.

(10) **Patent No.:** **US D646,803 S**
(45) **Date of Patent:** **** Oct. 11, 2011**

(54) **LED (LIGHT EMITTING DIODE) BULB**

(75) Inventors: **Sang Dong Jeong**, Incheon (KR); **Tae Gi Yoon**, Seoul (KR); **Jae Yeong Lee**, Seoul (KR)

(73) Assignee: **Amoluxe Co., Ltd.** (KR)

(**) Term: **14 Years**

(21) Appl. No.: **29/376,851**

(22) Filed: **Oct. 13, 2010**

(30) **Foreign Application Priority Data**

Apr. 15, 2010 (KR) 30-2010-0016718

(51) **LOC (9) Cl.** **26-04**

(52) **U.S. Cl.** **D26/2**

(58) **Field of Classification Search** D26/1-5,
D26/120, 138, 113; 313/313, 315, 316, 317,
313/318, 493; 315/52, 53, 56, 57, 58; 362/290,
362/294, 309; D13/180, 110
See application file for complete search history.

(56) **References Cited**

U.S. PATENT DOCUMENTS

D581,556 S *	11/2008	To et al.	D26/2
D600,367 S *	9/2009	Bertram et al.	D26/2
D610,278 S *	2/2010	Lin et al.	D26/2
D613,887 S *	4/2010	Lee et al.	D26/2
D614,319 S *	4/2010	Murakami	D26/2
D616,120 S *	5/2010	Wada et al.	D26/2
D616,575 S *	5/2010	Chen et al.	D26/2
D617,915 S *	6/2010	Wada et al.	D26/2
D617,919 S *	6/2010	Wada et al.	D26/2
D619,739 S *	7/2010	Hofmann et al.	D26/2
D623,776 S *	9/2010	Moon et al.	D26/2
D624,669 S *	9/2010	Tsai	D26/2
D627,085 S *	11/2010	Duan et al.	D26/2
D628,320 S *	11/2010	Yamamoto	D26/2

D628,321 S *	11/2010	Yoshinobu et al.	D26/2
D628,723 S *	12/2010	Yamamoto et al.	D26/2
D630,349 S *	1/2011	Pei et al.	D26/2
D630,774 S *	1/2011	Chen et al.	D26/2
D631,991 S *	2/2011	Bobel	D26/2
D632,406 S *	2/2011	Wei	D26/2
D632,409 S *	2/2011	Qiu	D26/2
D633,225 S *	2/2011	Yoshimura et al.	D26/2
D634,037 S *	3/2011	Jeong et al.	D26/2

OTHER PUBLICATIONS

SP-E27 LB60 Nicha / Cree LED lamp, www.diytrade.com, © DIYSite.com, posting date Jun. 15, 2009, [online], [site visited Jun. 6, 2011]. Available from Internet ,<URL: http://www.diytrade.com/china/4/products/4950147/SP-E27_LB60_Nicha_Cree_LED_Lamp.html#normal_img>.*
Sharp DL-L60AV LED lamp Remote control Brightness, www.locoav.com, © LoCoAv, posting date Jun. 15, 2009, [online], [site visited Jun. 6, 2011]. Available from Internet ,<URL: <http://www.locoav.com/sharp-dl-l60av-led-lamp-remote-control-brightness.html>>.*

(Continued)

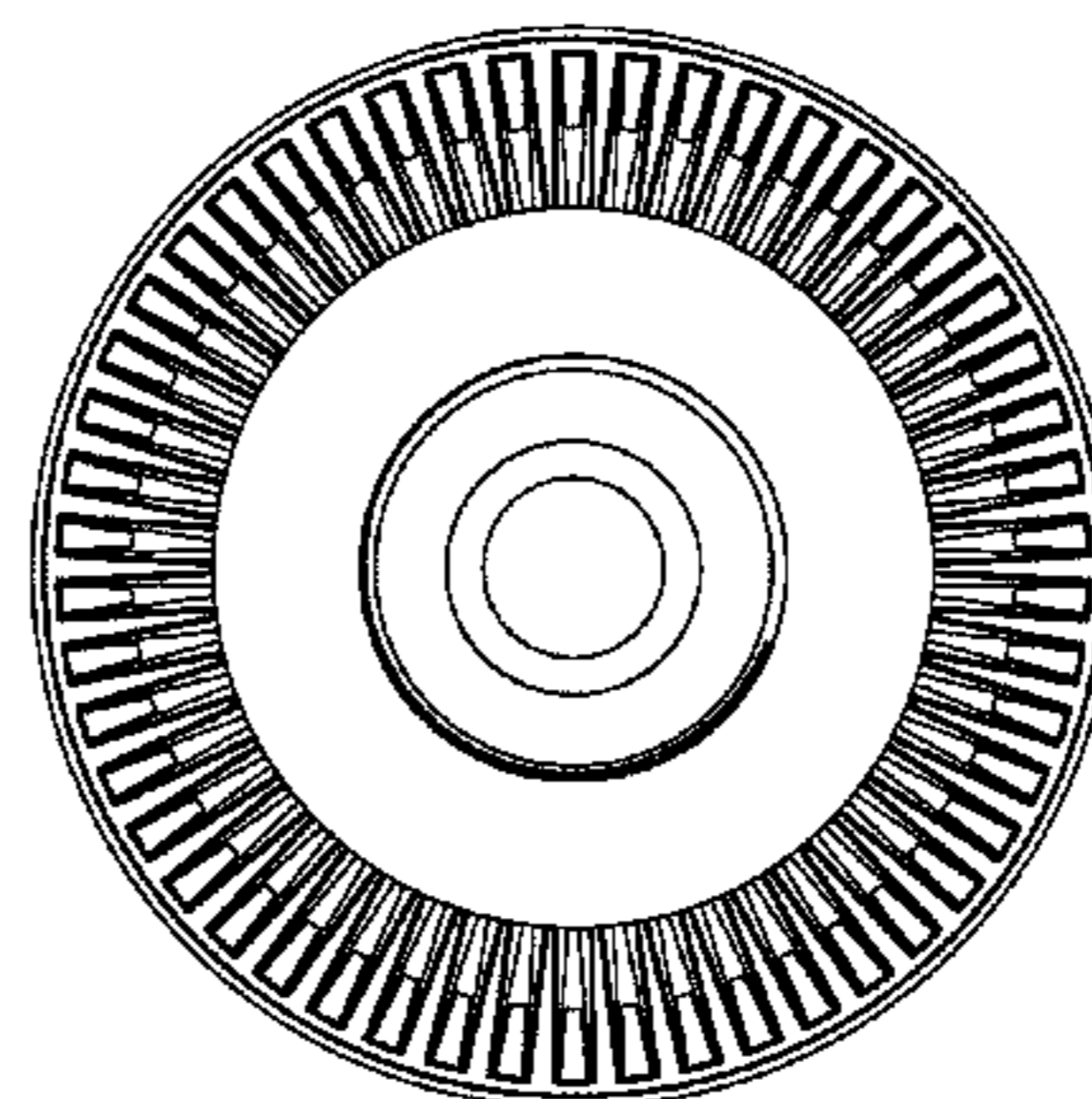
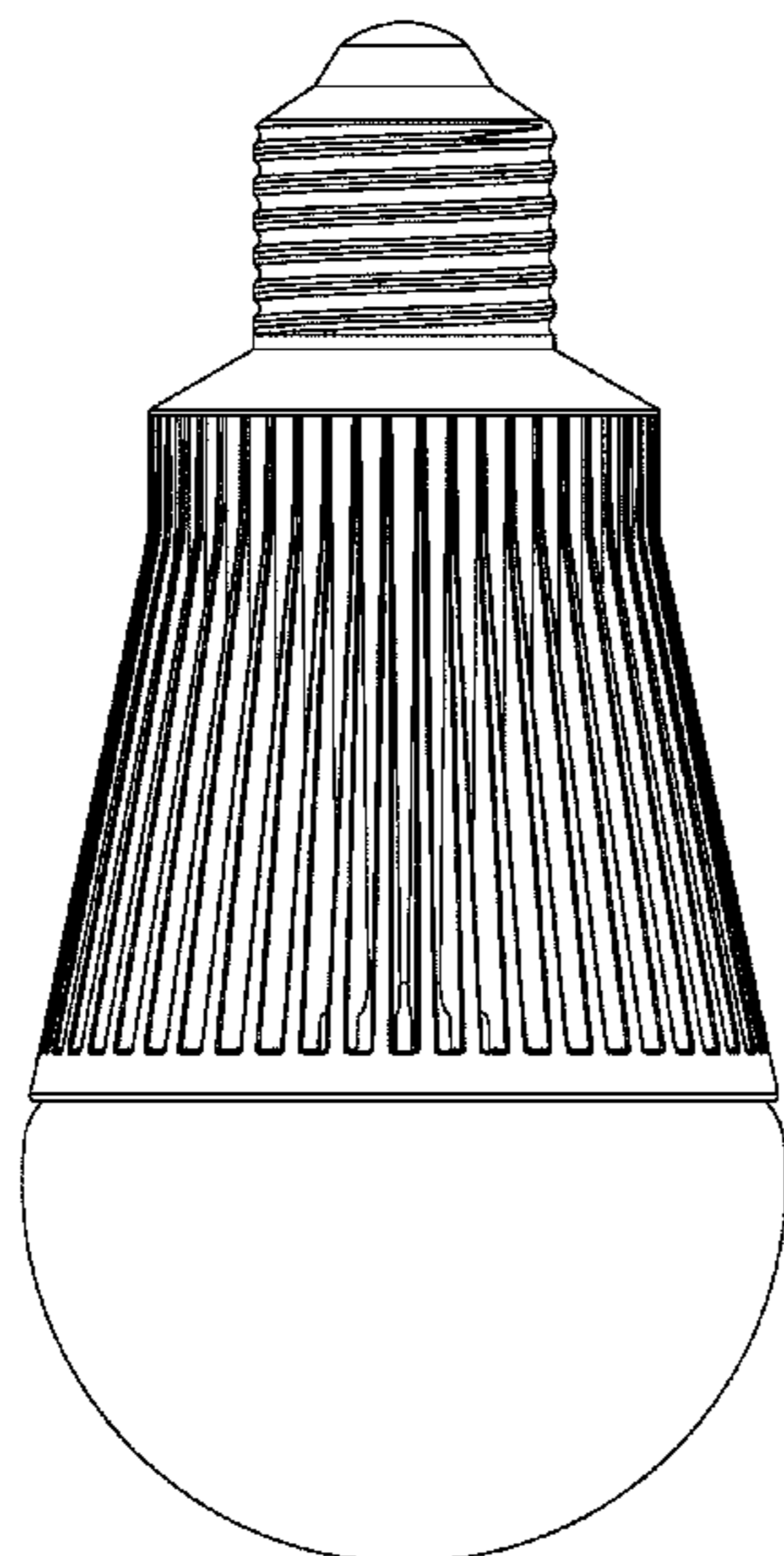
Primary Examiner — Jeffrey D Asch
(74) *Attorney, Agent, or Firm* — Cantor Colburn LLP

(57) **CLAIM**
We Claim, the ornamental design for a LED (light emitting diode) bulb, as shown and described.

DESCRIPTION

FIG. 1 is a perspective view of the LED bulb showing our new design;
FIG. 2 is the front view thereof;
FIG. 3 is the rear view thereof;
FIG. 4 is the left side view thereof;
FIG. 5 is the right side view thereof;
FIG. 6 is the top view thereof; and,
FIG. 7 is the bottom view thereof.

1 Claim, 7 Drawing Sheets



OTHER PUBLICATIONS

E27 LED Bulb, www.ledlight-china.com, © 2010 Kingly LED Light Co., posting date not given, [online], [site visited Jun. 6, 2011]. Available from Internet, <URL: <http://www.ledlight-china.com/led-bulb-light/>>.*

5w LED bulb, www.diytrade.com, © DIYSite.com, posting date Sep. 23, 2009, [online], [site visited Jun. 6, 2011]. Available from

Internet, <URL: http://www.diytrade.com/china/4/products/5923851/5w_LED_Bulb.html>.*

Hi Power LED Bulblight /LED Bulbs Light, www.nobodybuy.com, © nobodybuy.com, posting date not given, [online], [site visited Jun. 7, 2011]. Available from Internet, <URL: http://www.nobodybuy.com/product_desc/pid800606/hi-power-led-bulb-light-led-bulbs-light.htm>.*

* cited by examiner

FIG. 1

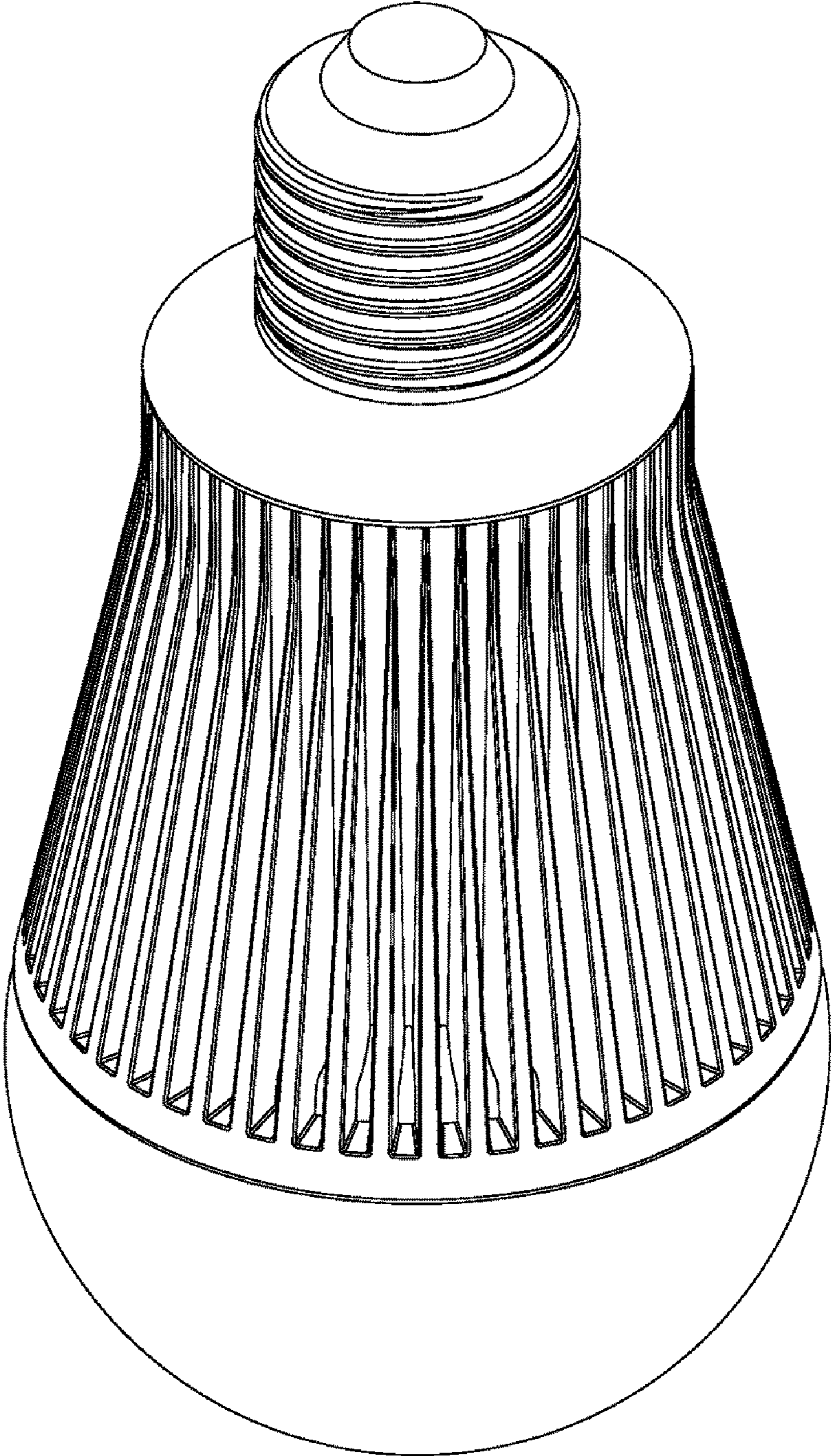


FIG. 2

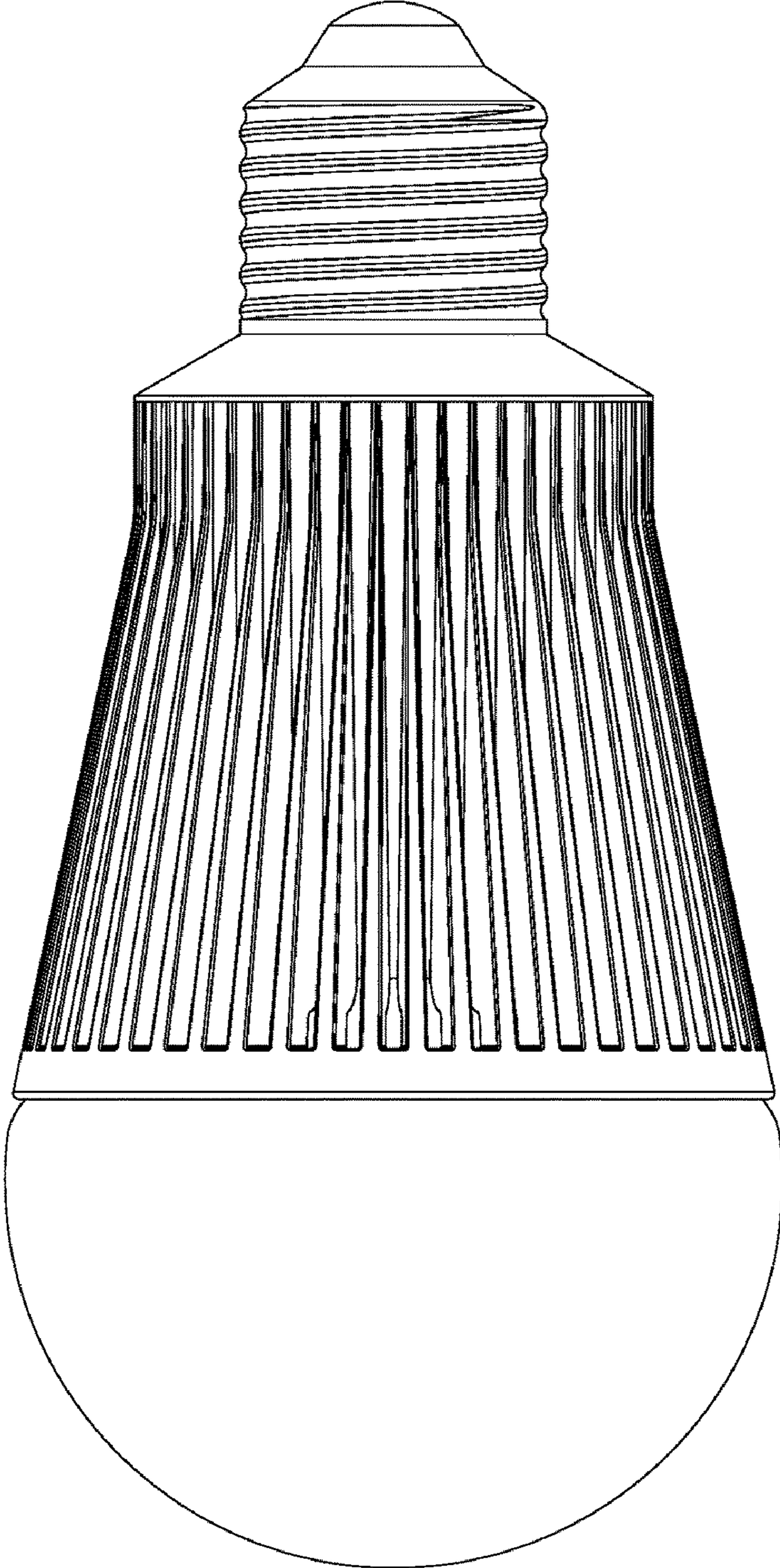


FIG. 3

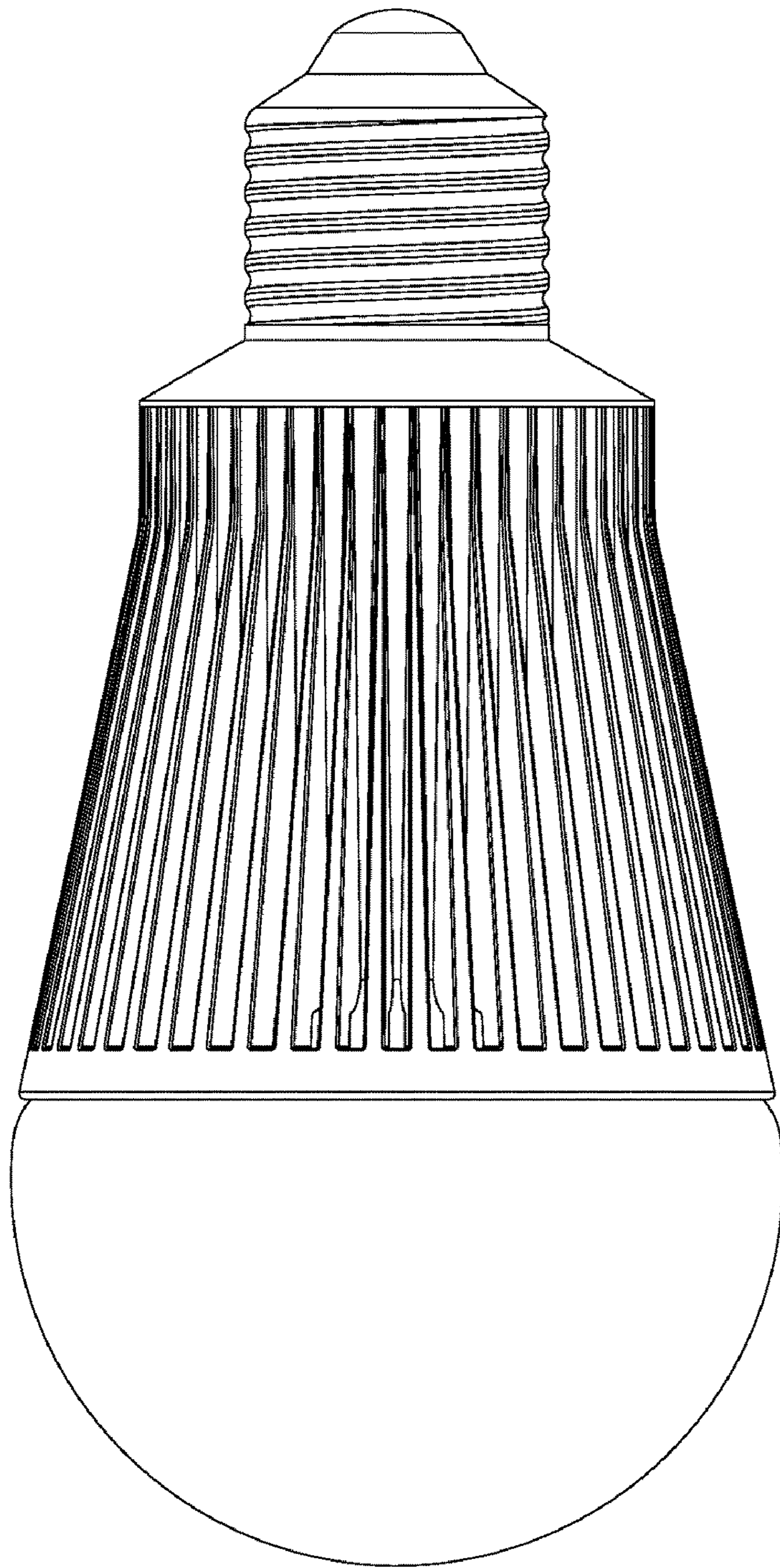


FIG. 4

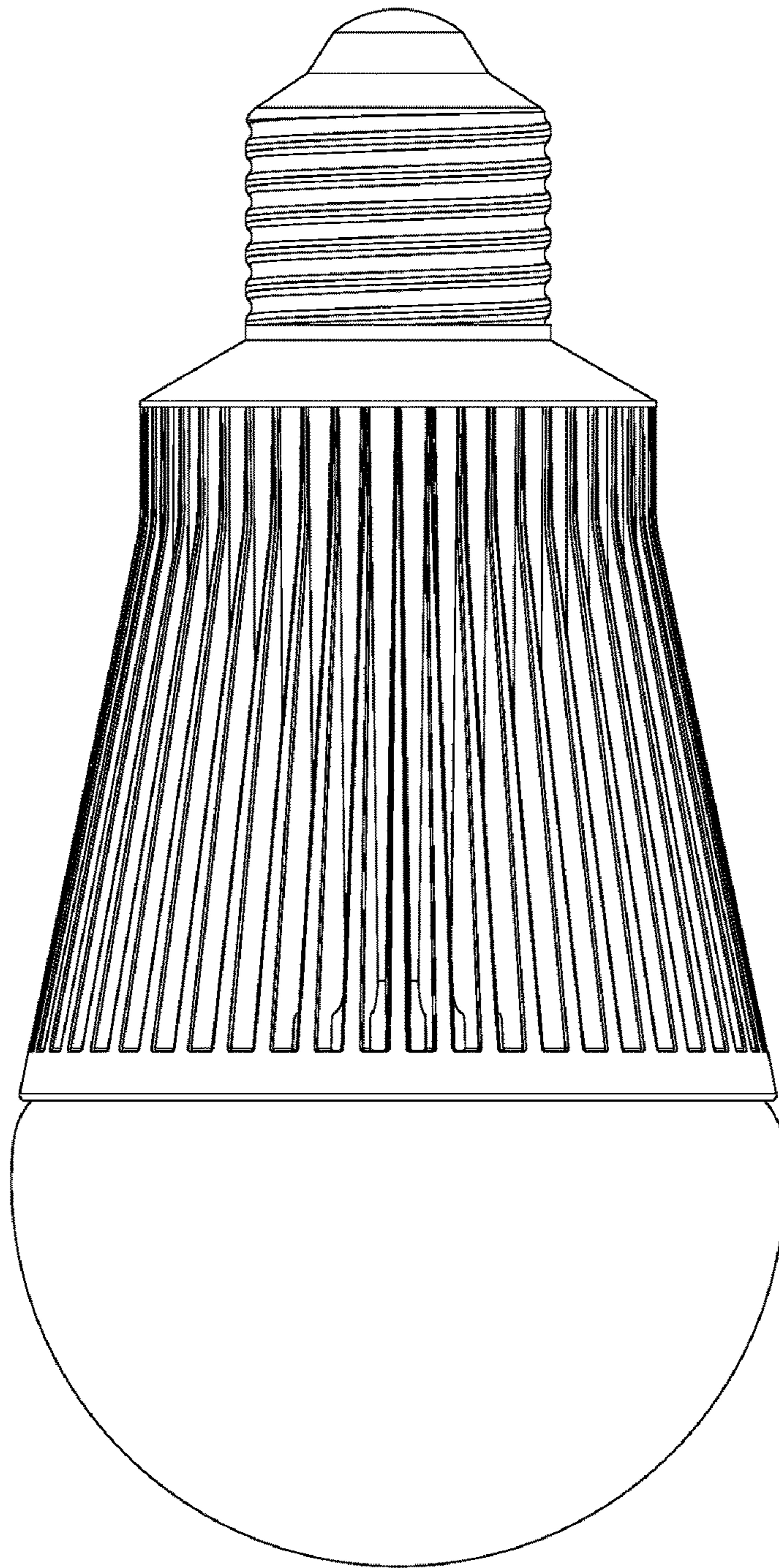


FIG. 5

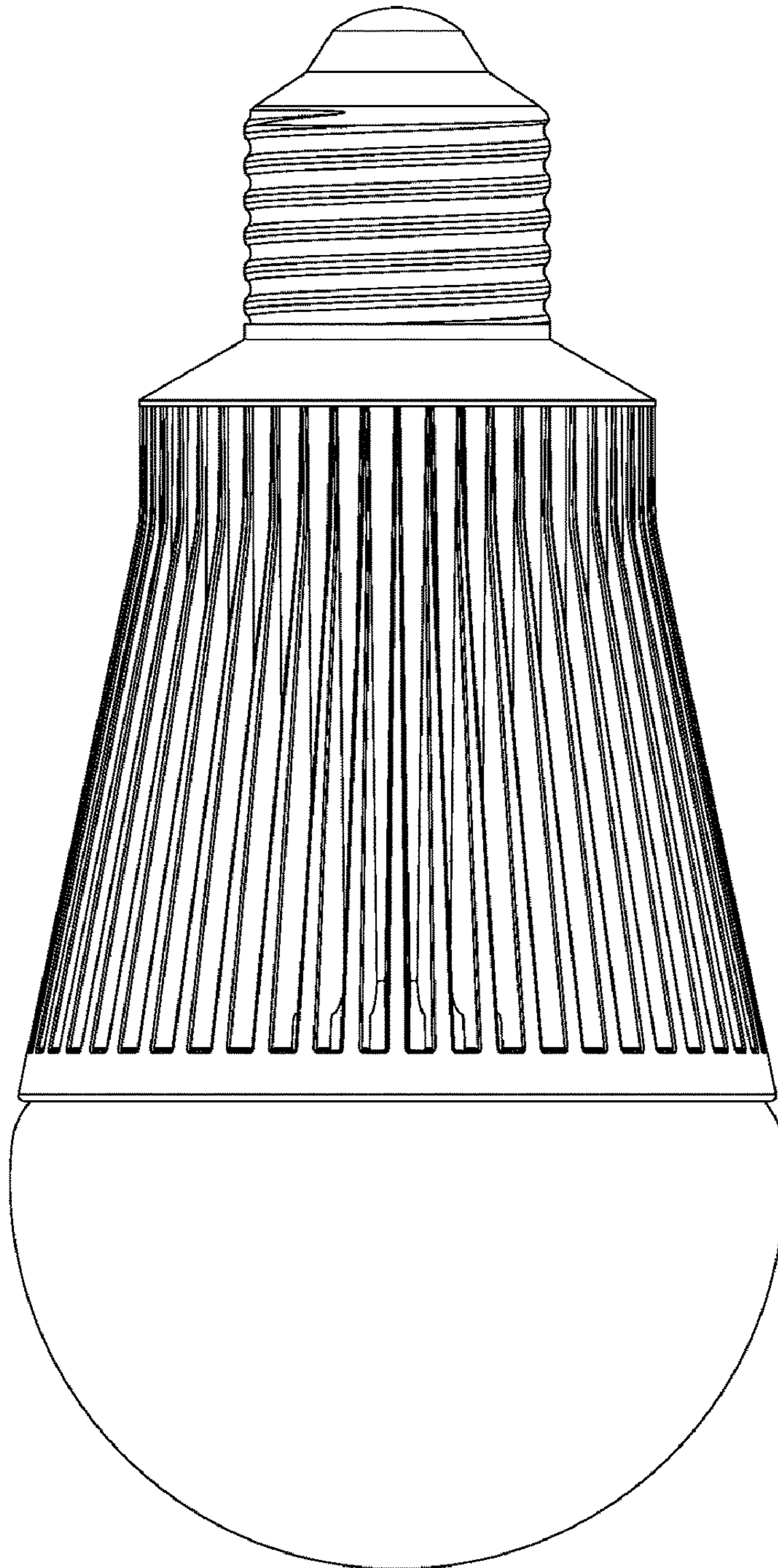


FIG. 6

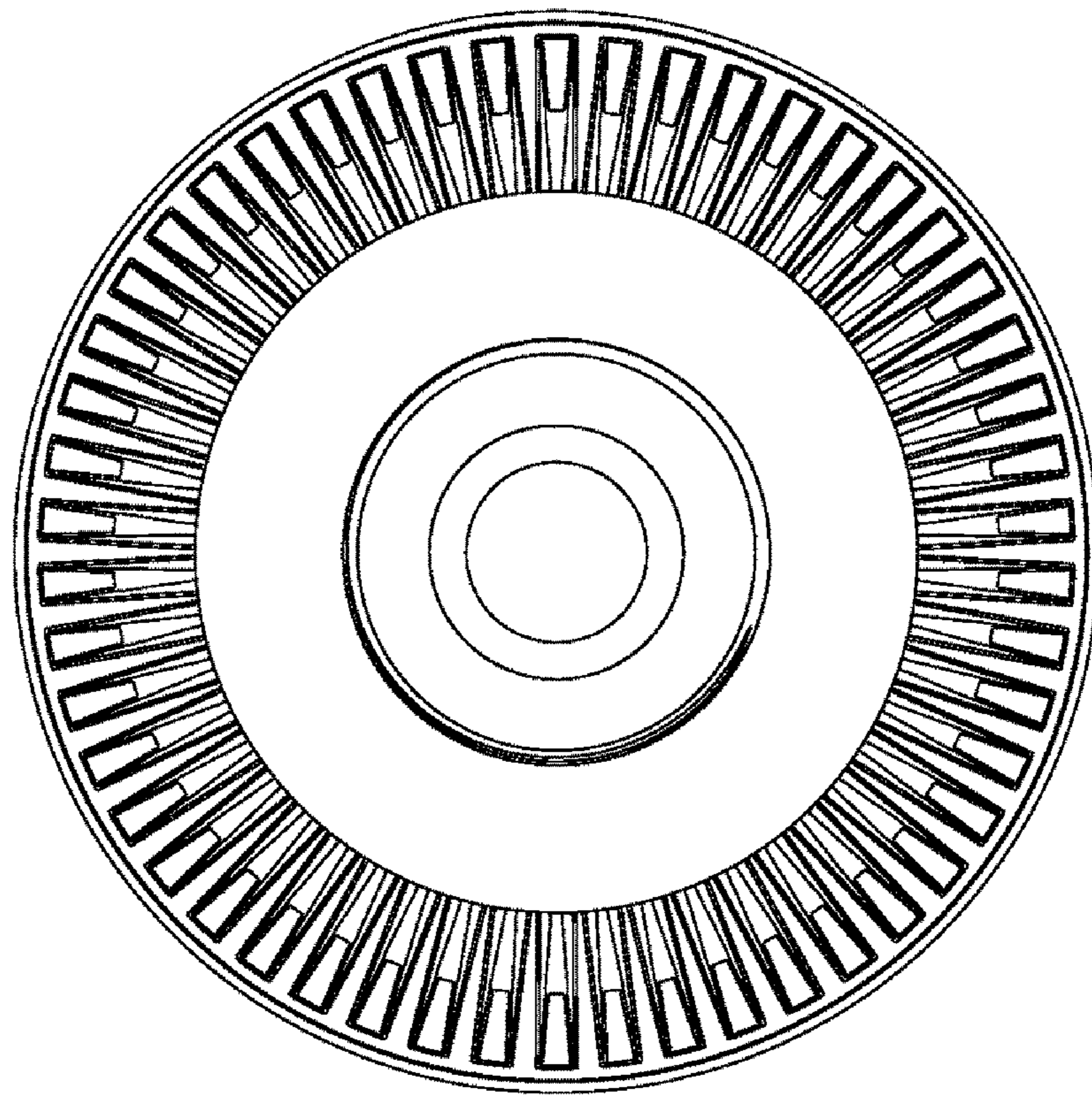


FIG. 7

