



US00D646802S

(12) **United States Design Patent**  
**Guohui**

(10) **Patent No.:** **US D646,802 S**  
(45) **Date of Patent:** **\*\* Oct. 11, 2011**

- (54) **LED LAMP**
  - (75) Inventor: **Dong Guohui**, Zhejiang (CN)
  - (73) Assignee: **Osram AG**, Munich (DE)
  - (\*\*) Term: **14 Years**
  - (21) Appl. No.: **29/376,508**
  - (22) Filed: **Oct. 8, 2010**
  - (51) **LOC (9) Cl.** ..... **26-04**
  - (52) **U.S. Cl.** ..... **D26/2**
  - (58) **Field of Classification Search** ..... D26/1-4;  
313/313, 315, 316, 317, 318, 493; 315/52,  
315/53, 56, 57, 58
- See application file for complete search history.

DE	402008000836	5/2008
EM	000989561	8/2008
JP	1354509	2/2009
KR	300525404	4/2009

\* cited by examiner

*Primary Examiner* — Marcus Jackson

(56) **References Cited**

**U.S. PATENT DOCUMENTS**

D532,532 S *	11/2006	Maxik	.....	D26/2
D535,038 S *	1/2007	Egawa et al.	.....	D26/2
D553,266 S *	10/2007	Maxik	.....	D26/2
D566,300 S *	4/2008	Lo	.....	D26/2
D584,838 S *	1/2009	To et al.	.....	D26/2
D593,223 S	5/2009	Komar		

**FOREIGN PATENT DOCUMENTS**

AU	322403	12/2008
CN	300993099D	8/2009

(57) **CLAIM**

The ornamental design for an LED lamp, as shown and described.

**DESCRIPTION**

FIG. 1 is a perspective view of an LED lamp according to the design

FIG. 2 is a front view of the LED lamp

FIG. 3 is a right side view of the LED lamp

FIG. 4 is a top view of the LED lamp

FIG. 5 is a bottom view of the LED lamp

FIG. 6 is a perspective view of an LED lamp according to the design

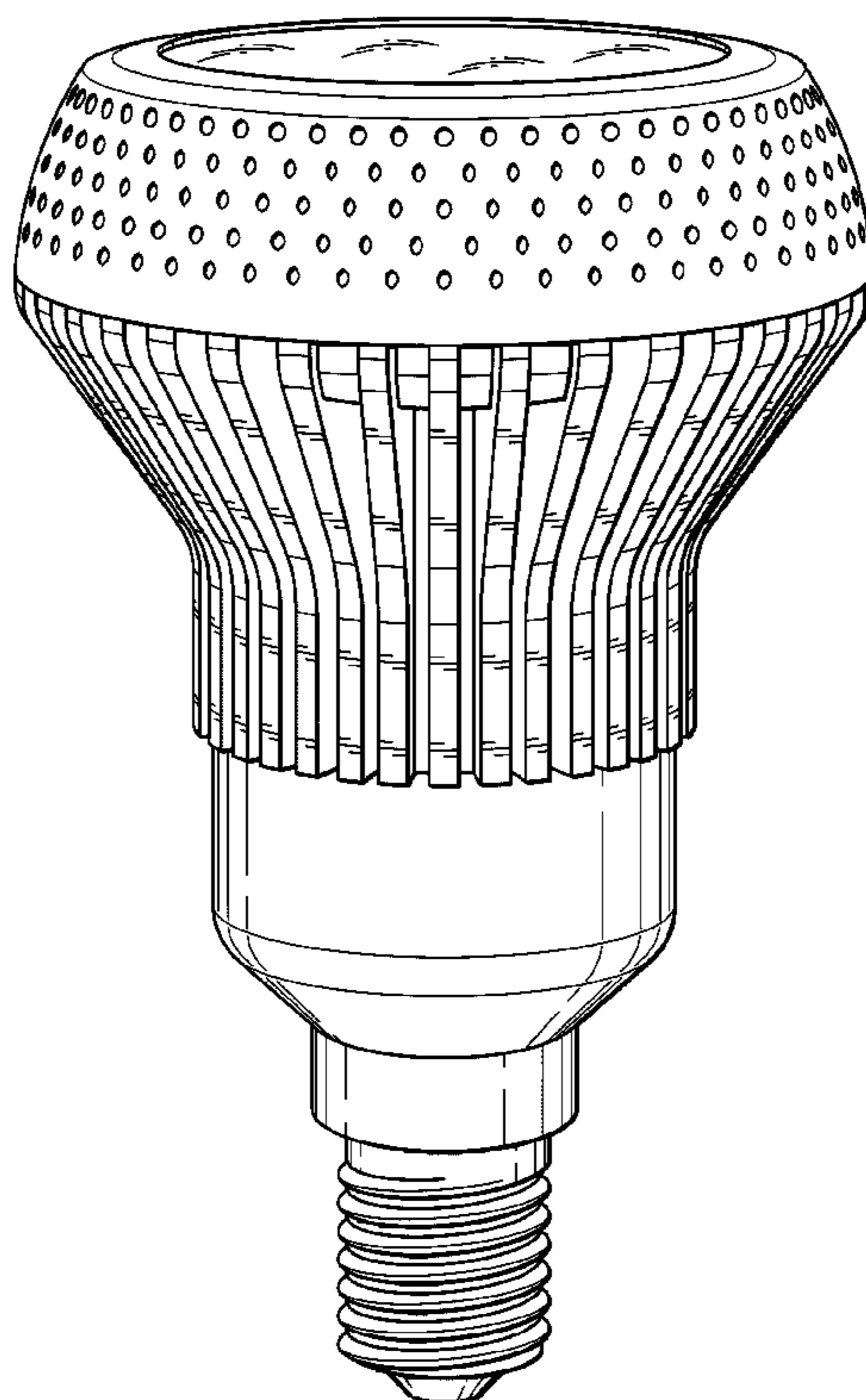
FIG. 7 is a front view of the LED lamp

FIG. 8 is a right side view of the LED lamp

FIG. 9 is a top view of the LED lamp; and,

FIG. 10 is a bottom view of the LED lamp.

**1 Claim, 10 Drawing Sheets**



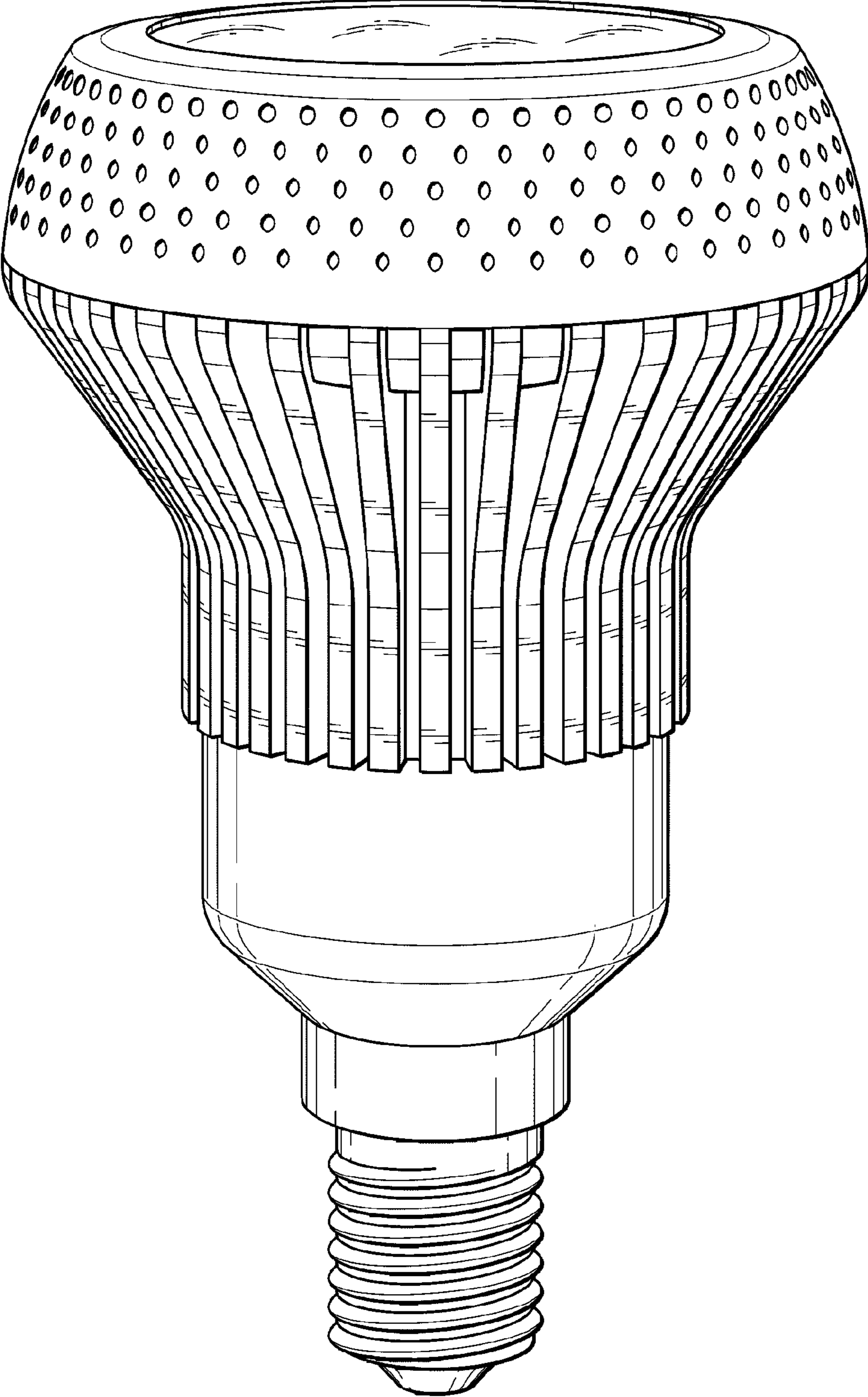


FIG. 1

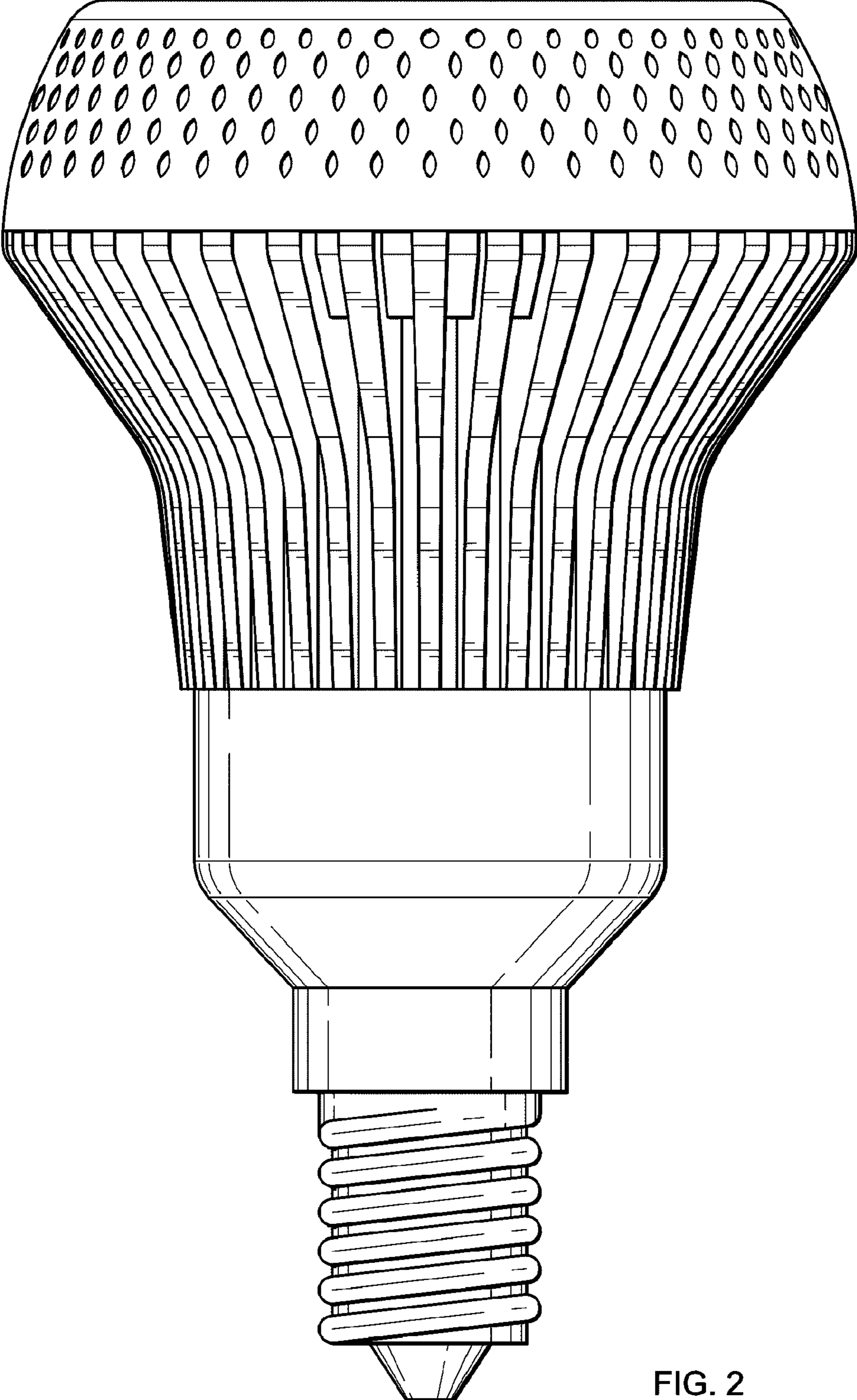


FIG. 2

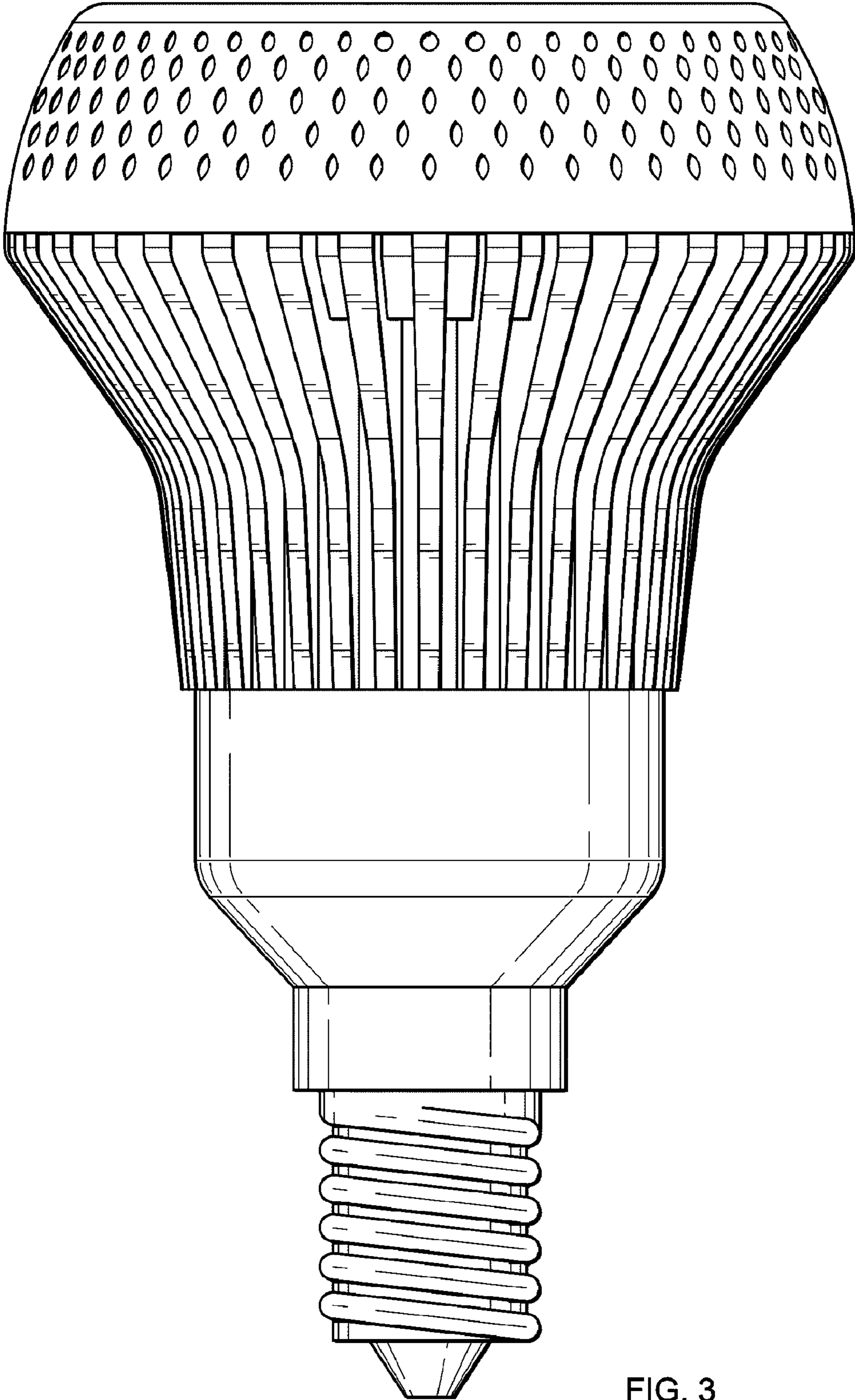


FIG. 3

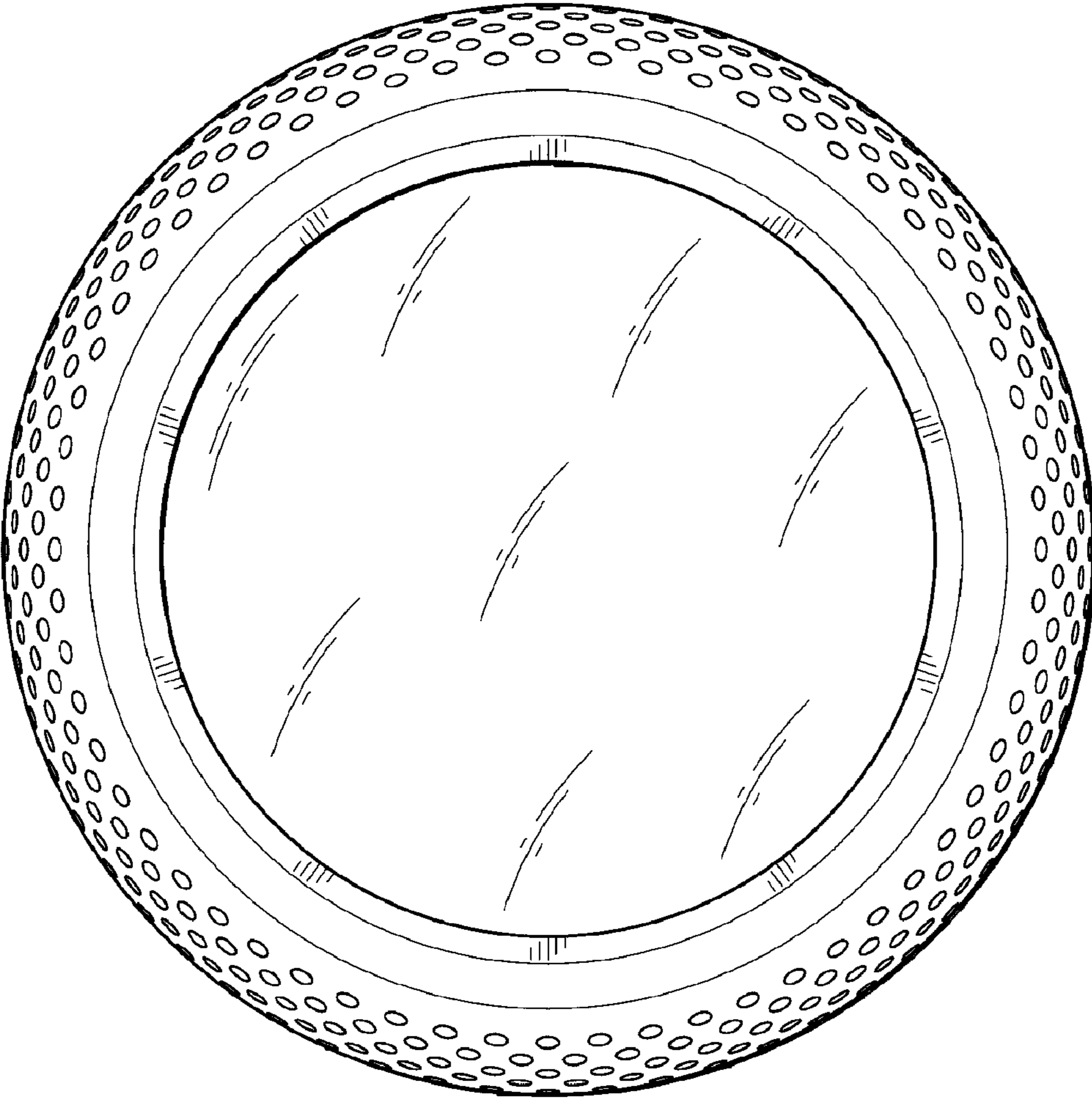


FIG. 4

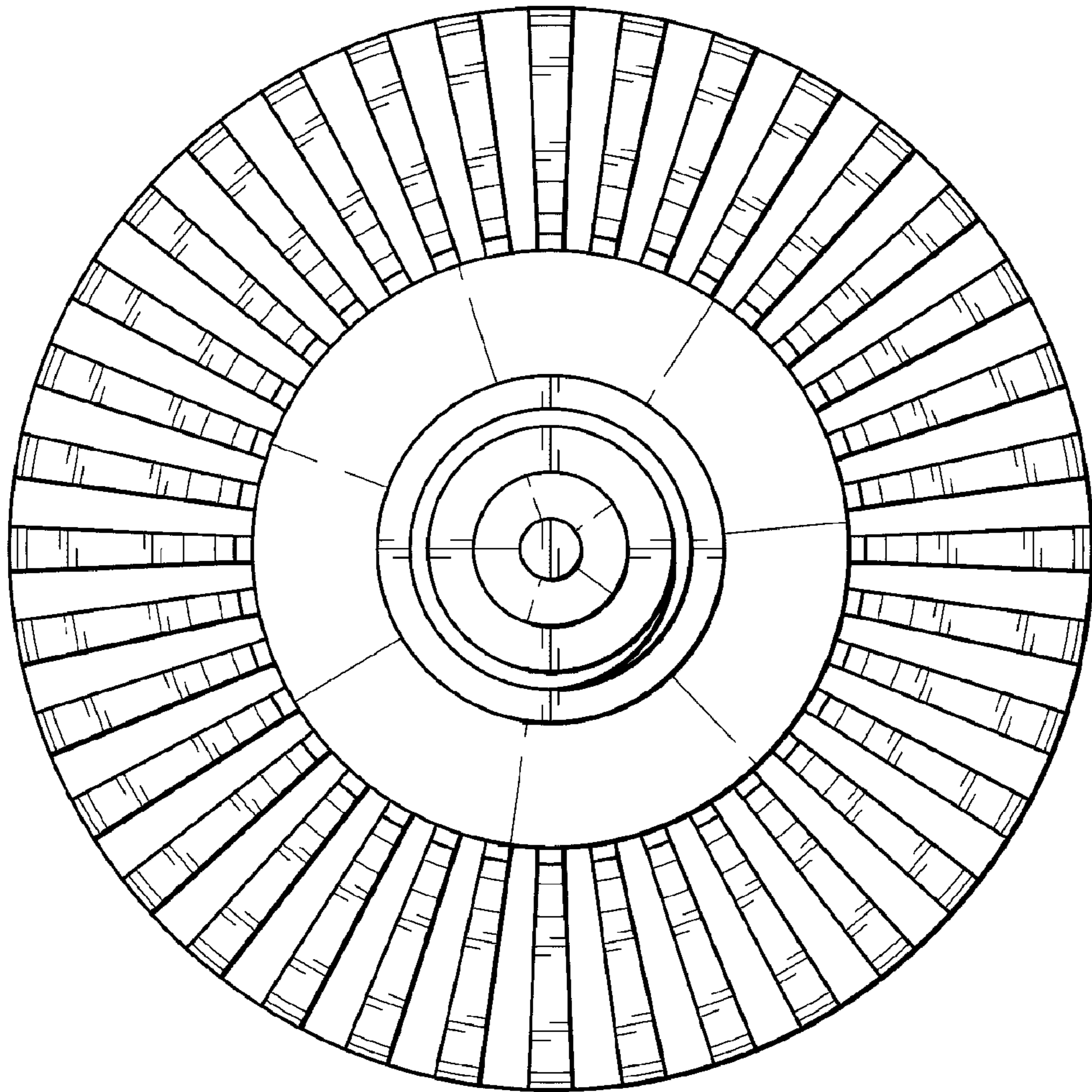


FIG. 5

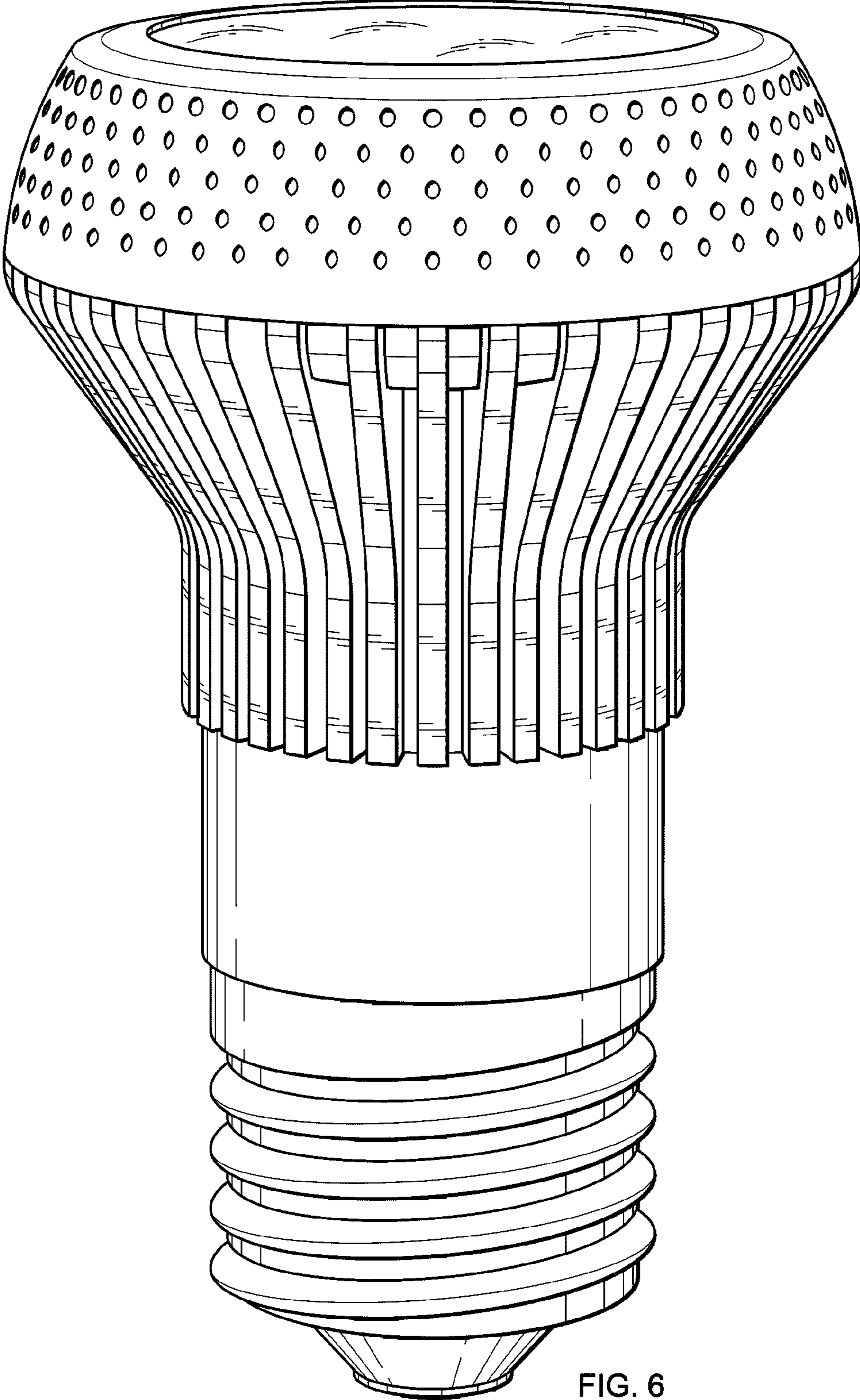


FIG. 6

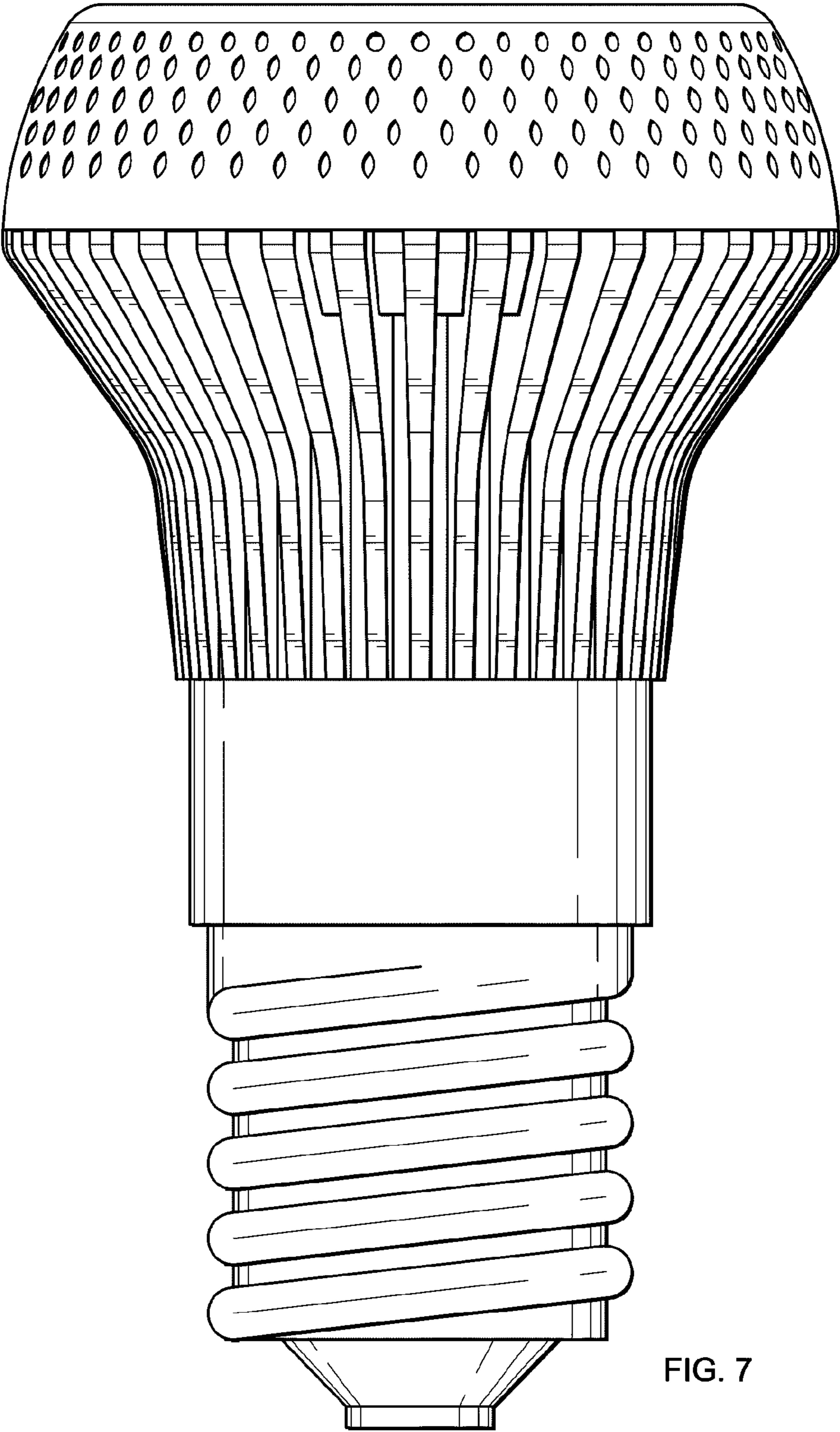


FIG. 7



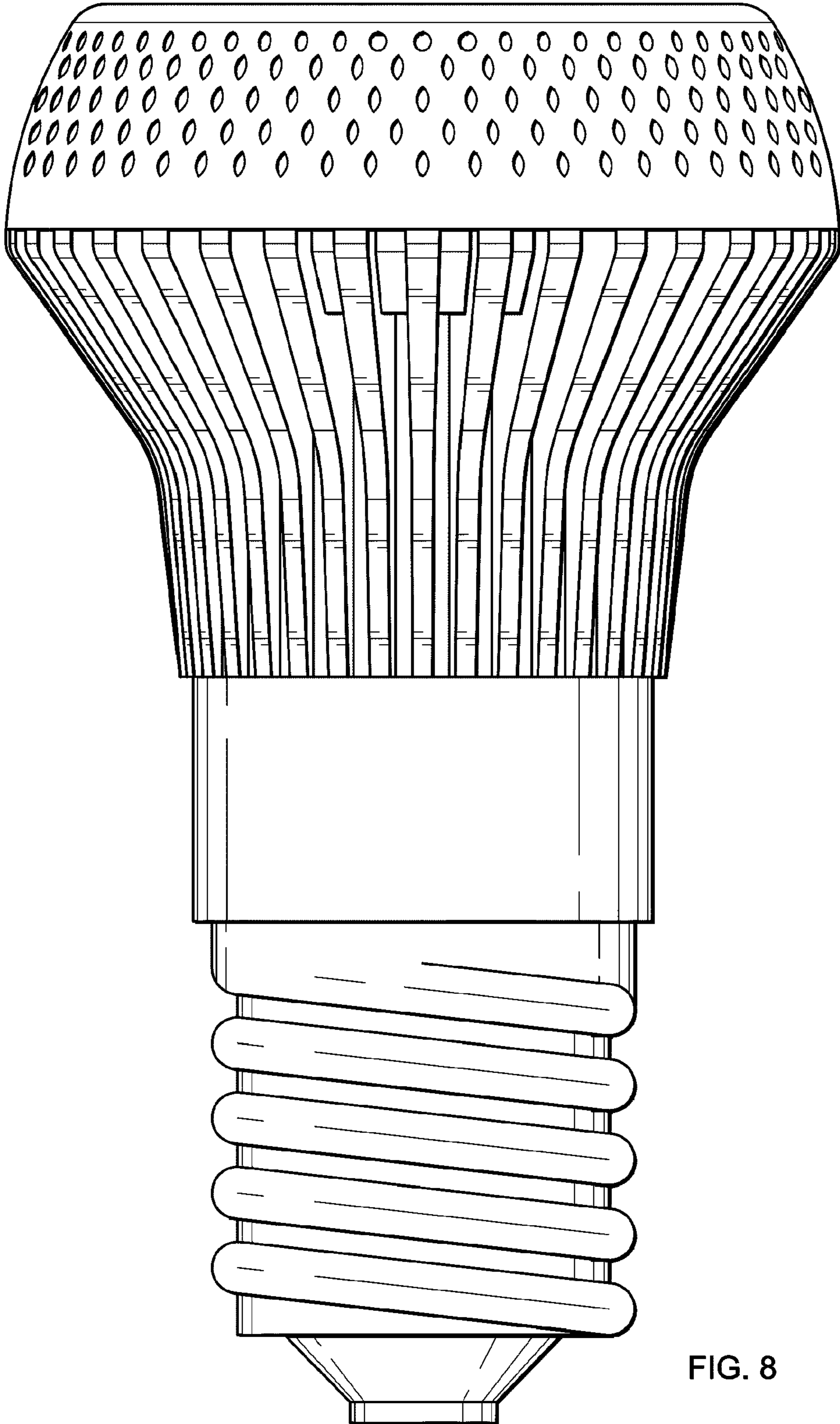


FIG. 8

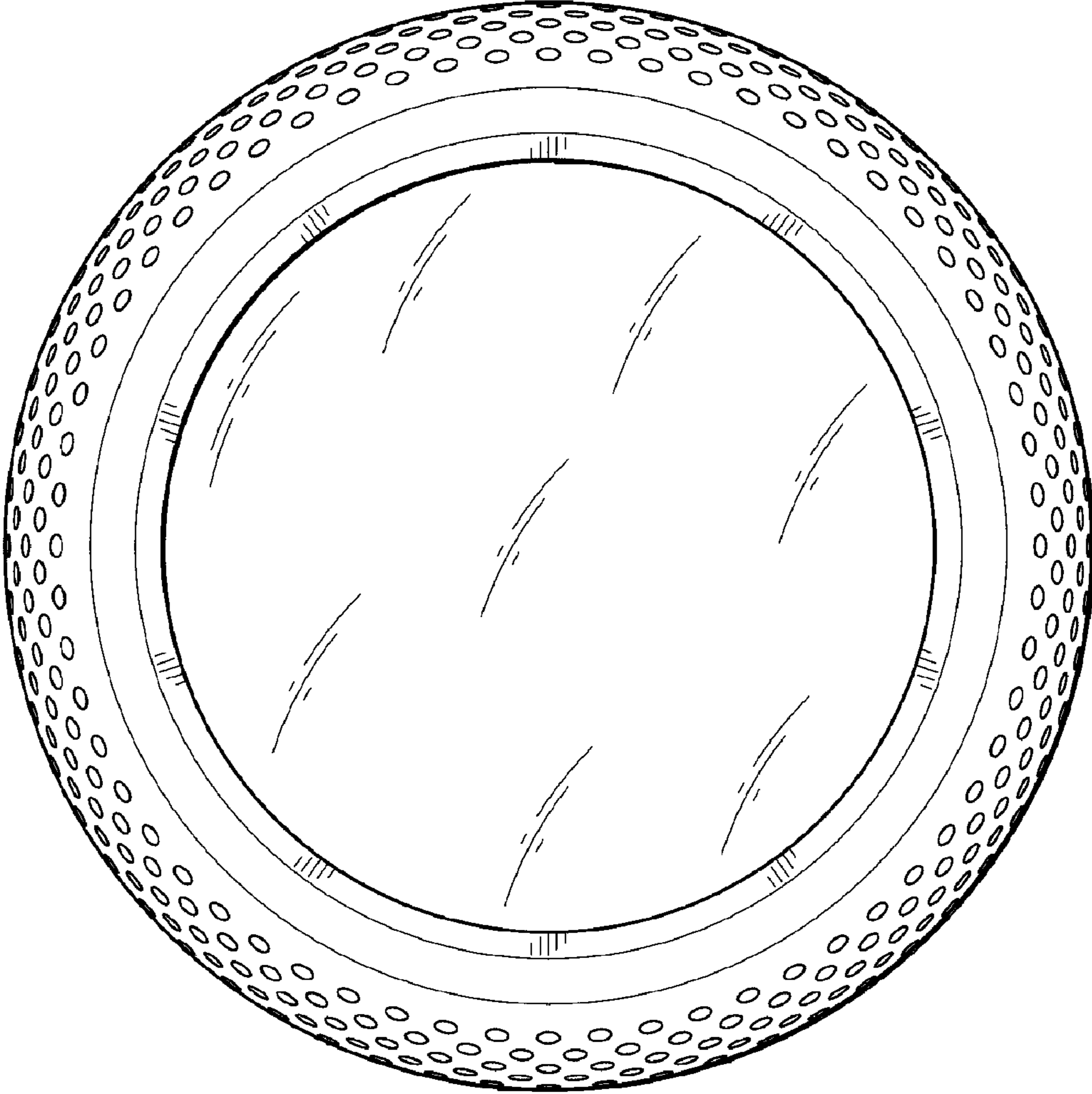


FIG. 9

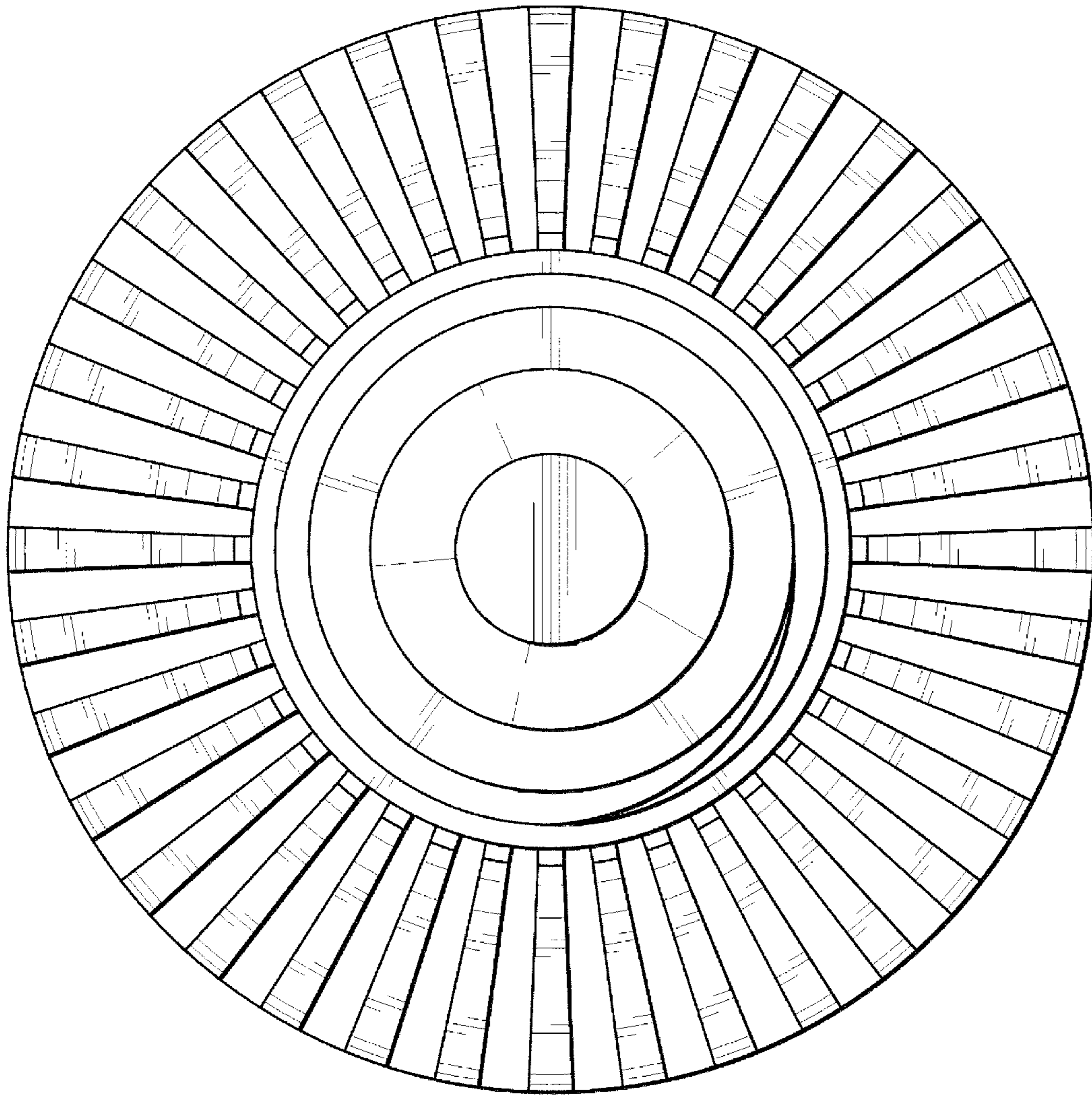


FIG. 10