



US00D646801S

(12) **United States Design Patent**
Chou

(10) **Patent No.:** **US D646,801 S**

(45) **Date of Patent:** **** Oct. 11, 2011**

(54) **LED LAMP**

D631,571 S * 1/2011 Bobel D26/2
D631,989 S * 2/2011 Bobel D26/2
D631,990 S * 2/2011 Bobel D26/2

(75) Inventor: **Min-Hwa Chou**, Tainan (TW)

* cited by examiner

(73) Assignee: **DBM Reflex of Taiwan Co., Ltd.**,
Tainan (TW)

Primary Examiner — Marcus Jackson

(74) *Attorney, Agent, or Firm* — William E. Pelton, Esq.;
Cooper & Dunham LLP

(**) Term: **14 Years**

(57) **CLAIM**

(21) Appl. No.: **29/372,729**

The ornamental design for a LED lamp, as shown and described.

(22) Filed: **Jan. 3, 2011**

DESCRIPTION

(51) **LOC (9) Cl.** **26-04**

(52) **U.S. Cl.** **D26/2**

(58) **Field of Classification Search** D26/1-4;
313/313, 315, 316, 317, 318, 493; 315/52,
315/53, 56, 57, 58

See application file for complete search history.

FIG. 1 is a perspective view of a LED lamp, showing my new design;

FIG. 2 is a front view thereof;

FIG. 3 is a rear view thereof;

FIG. 4 is a left view thereof;

FIG. 5 is a right view thereof;

FIG. 6 is a top view thereof; and,

FIG. 7 is another perspective view thereof.

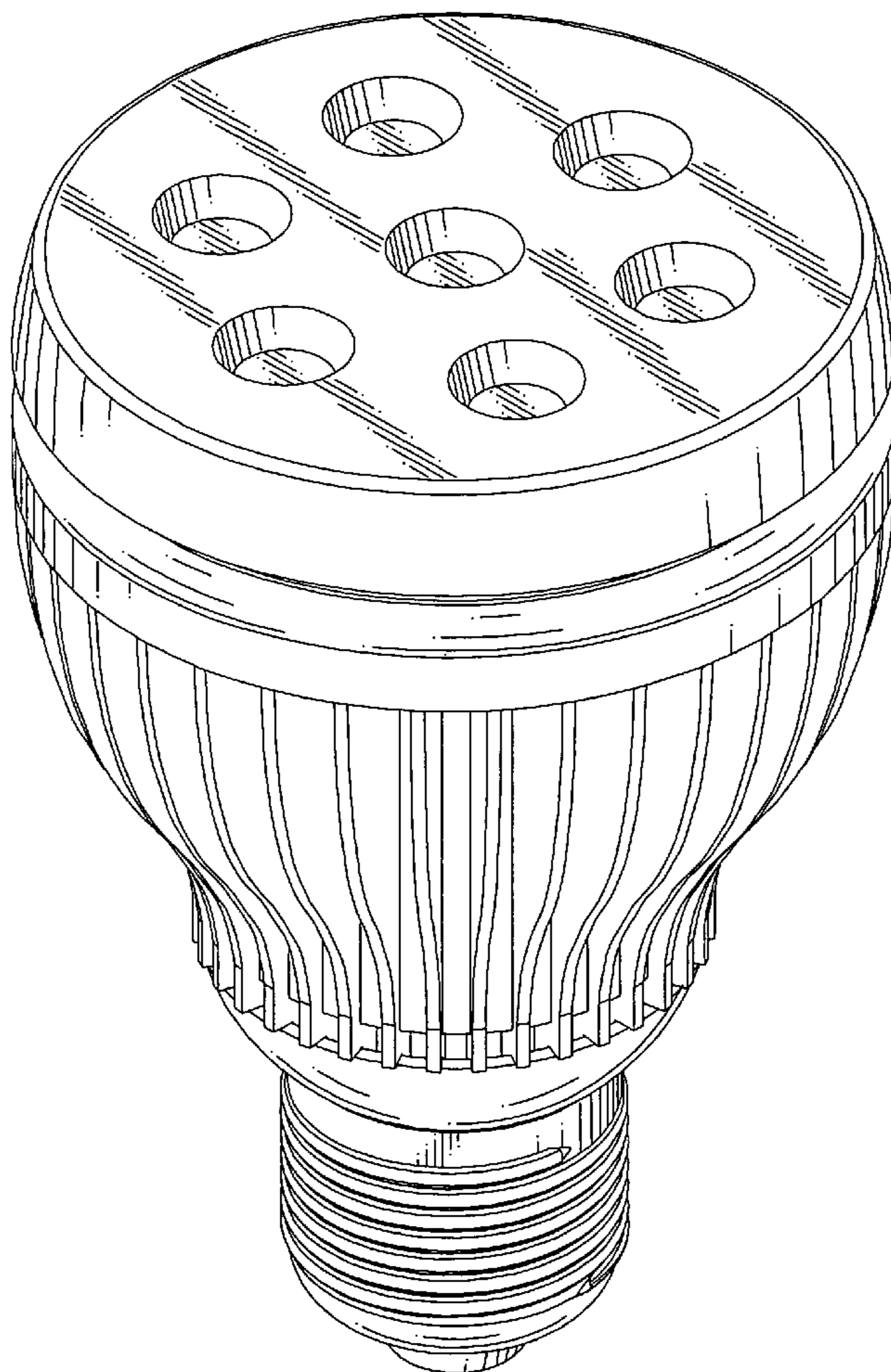
The broken lines on the drawings are shown for illustrative purposes only and form no part of the claimed design.

(56) **References Cited**

U.S. PATENT DOCUMENTS

D412,367 S * 7/1999 Chen D26/2
D631,569 S * 1/2011 Bobel D26/2

1 Claim, 7 Drawing Sheets



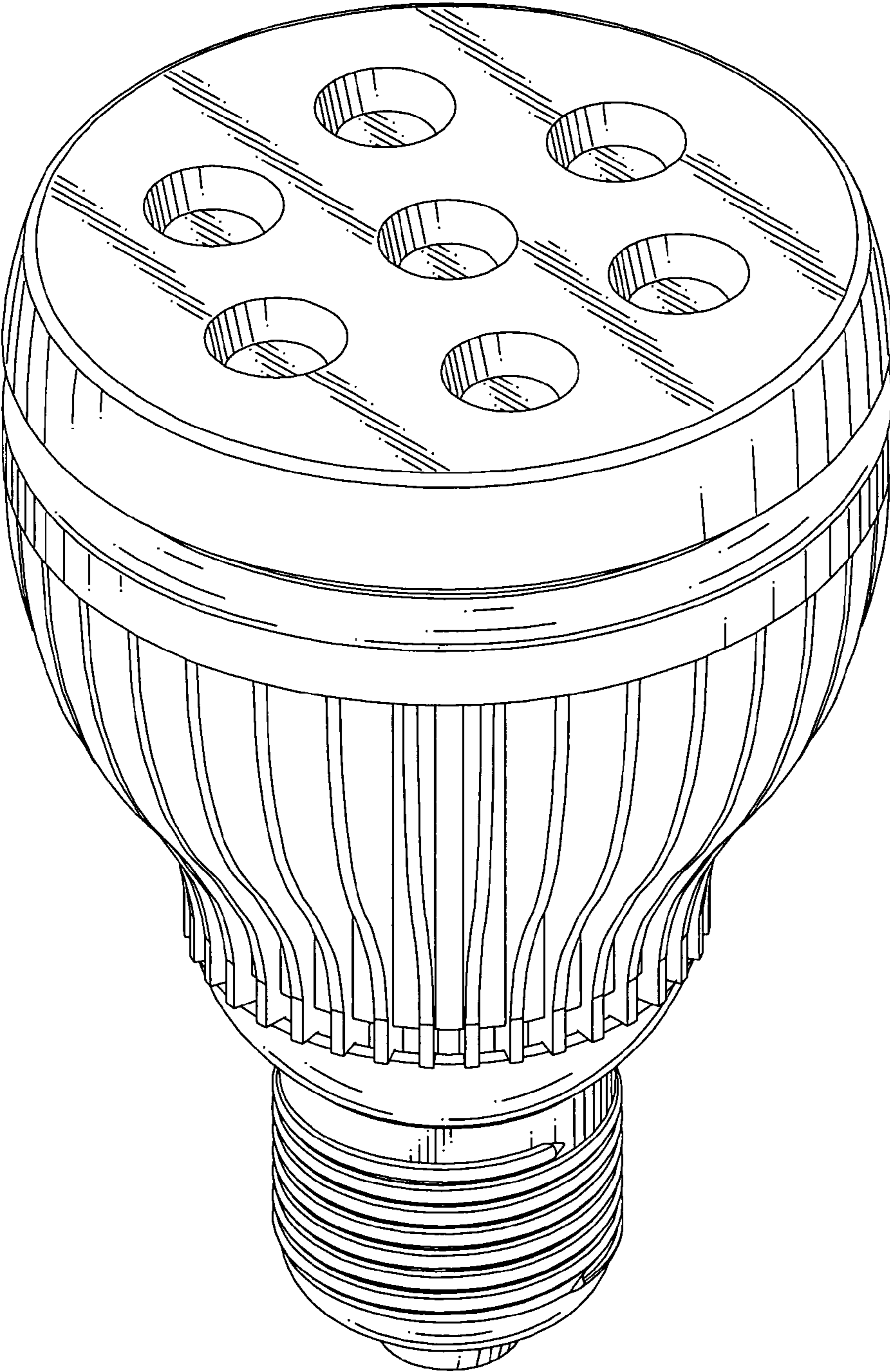


FIG. 1

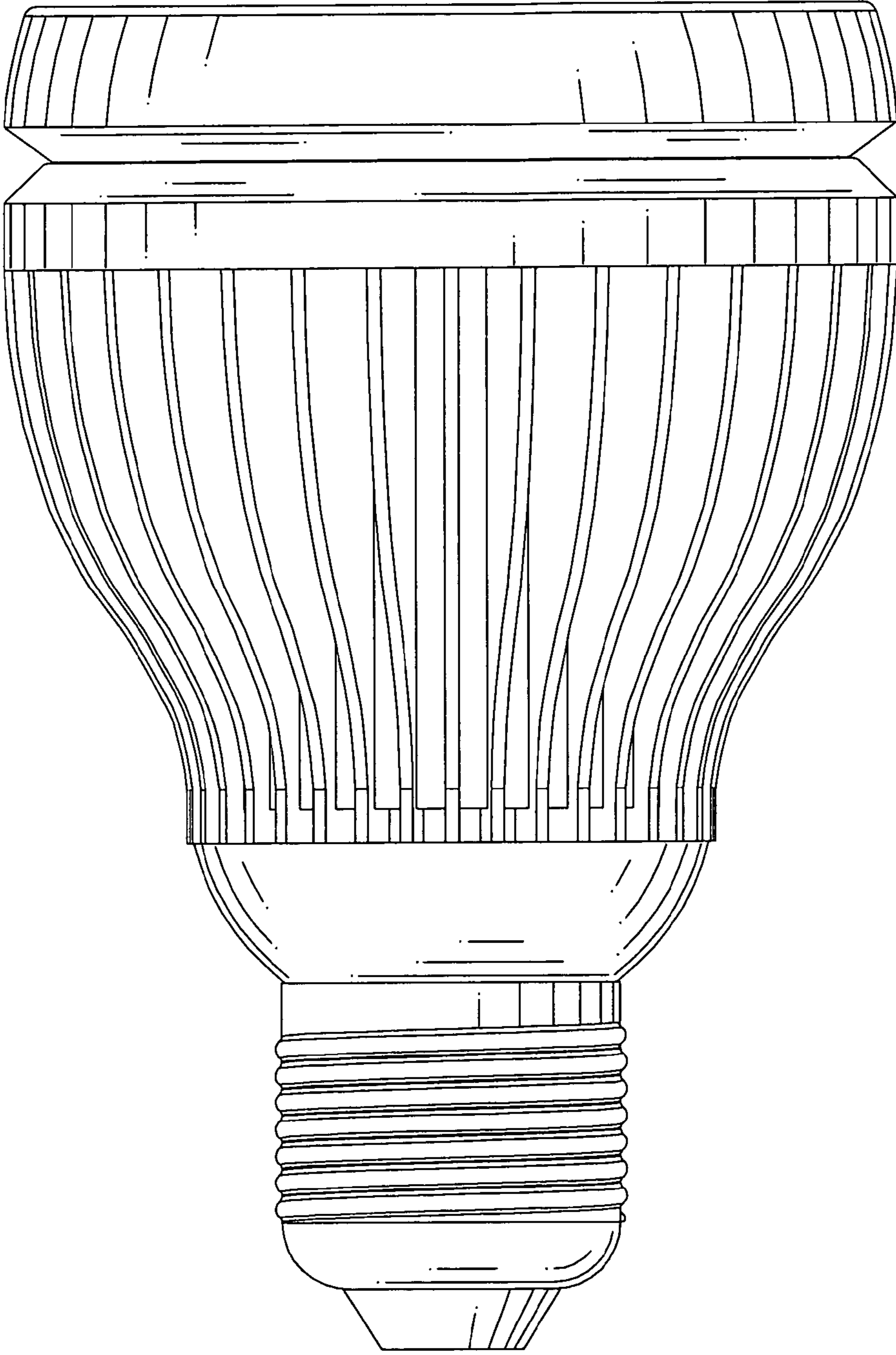


FIG. 2

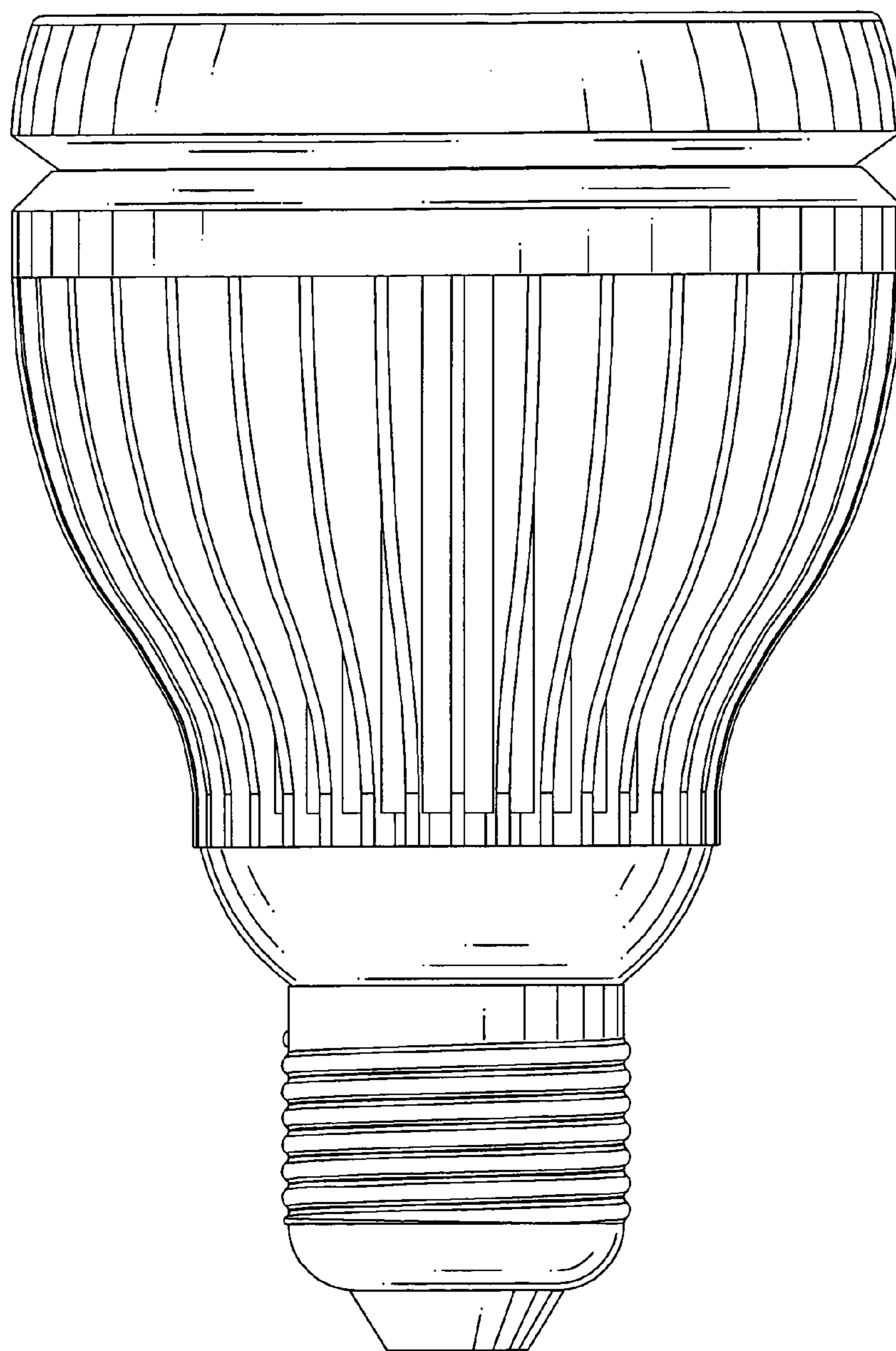


FIG. 3

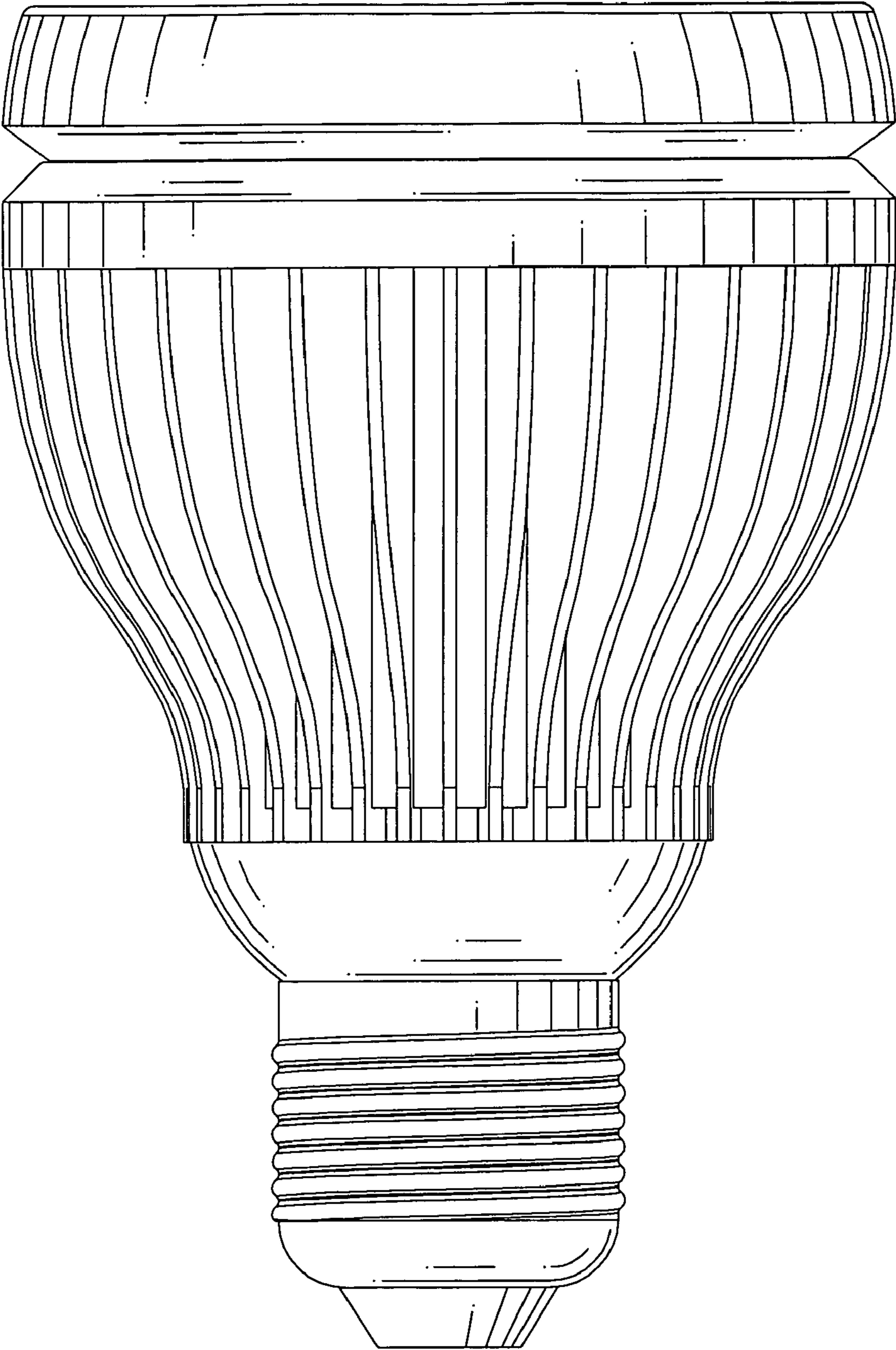


FIG. 4

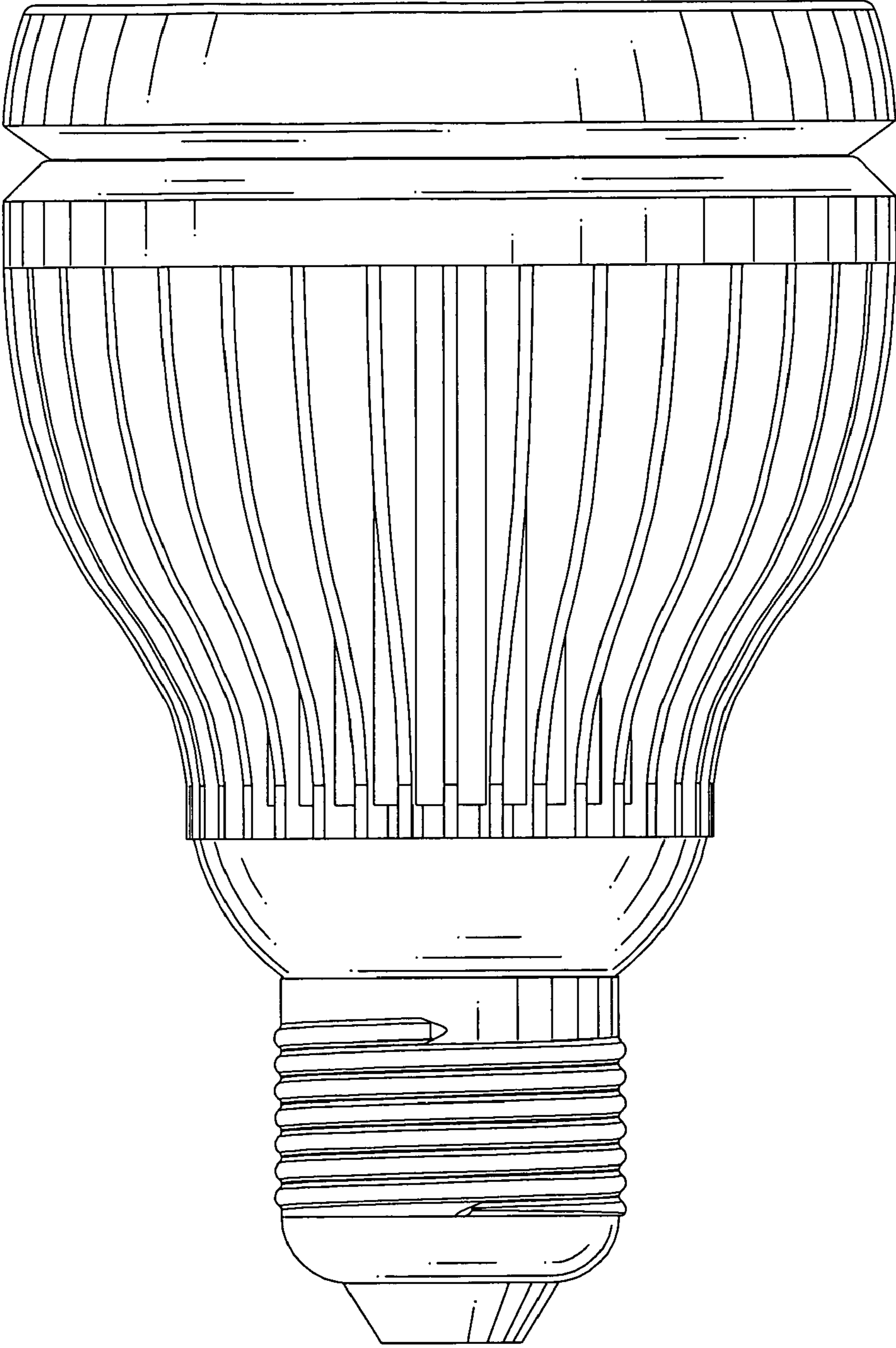


FIG. 5

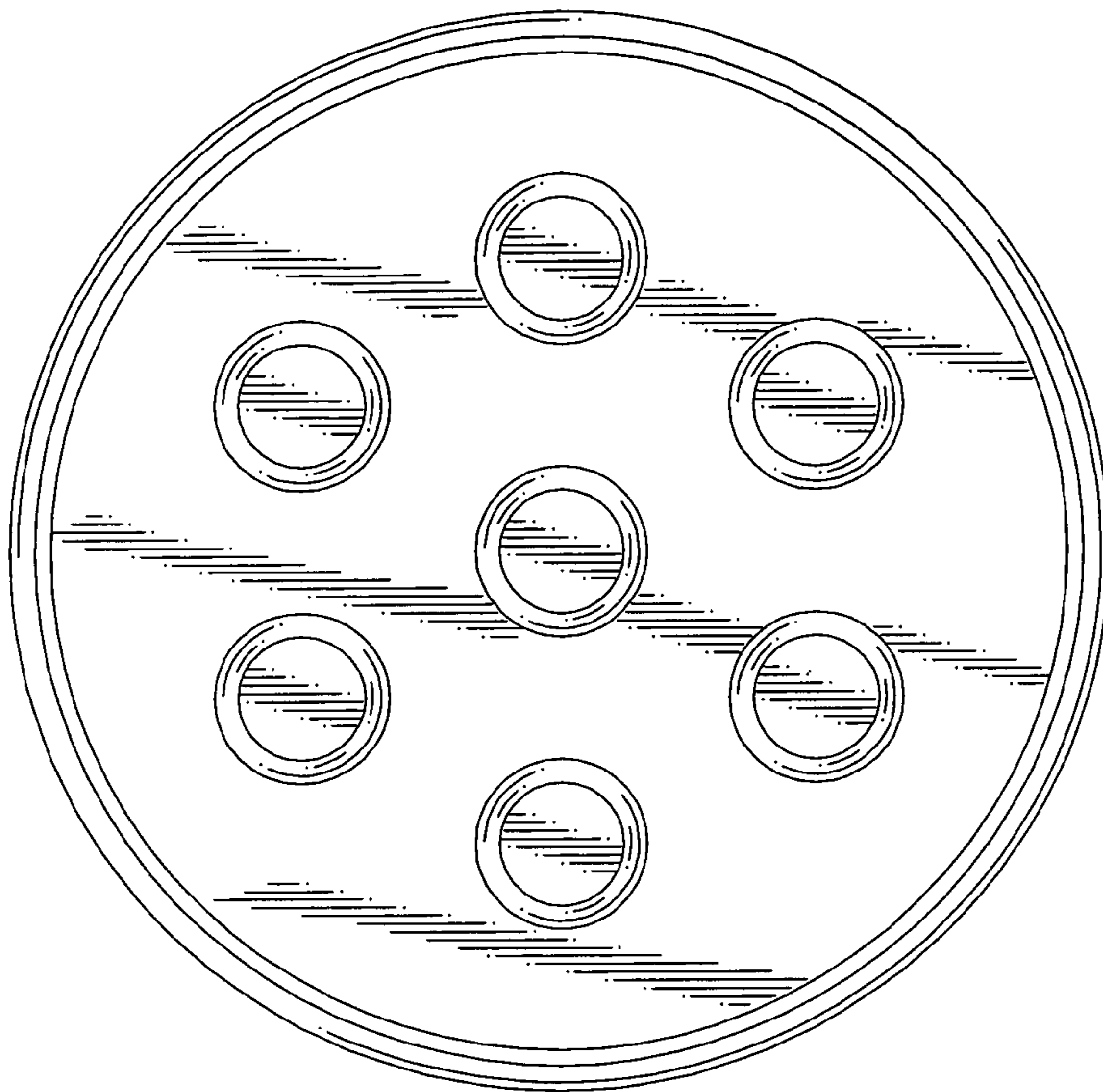


FIG. 6

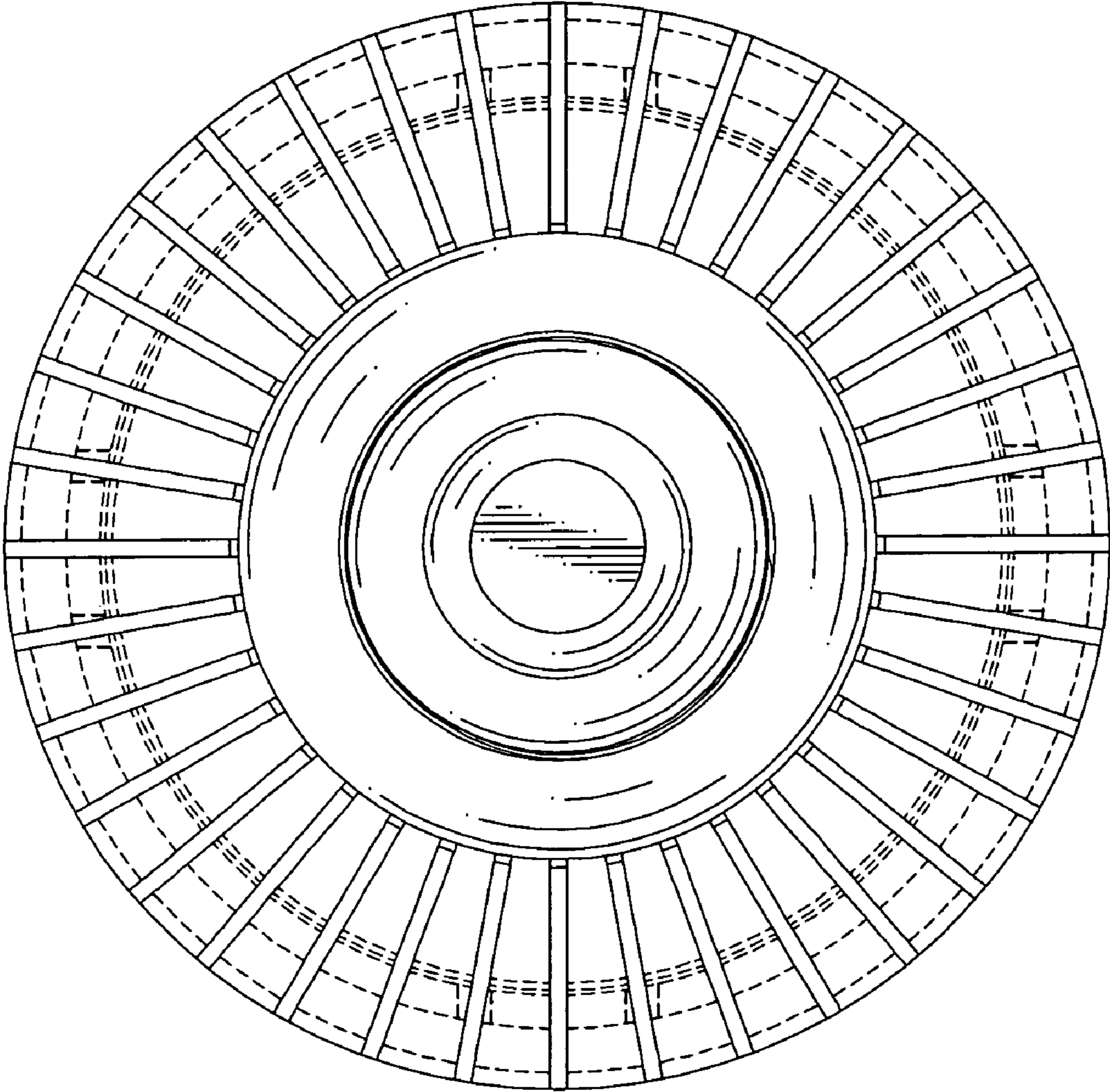


FIG. 7