



US00D646799S

(12) **United States Design Patent**
Yasher et al.

(10) **Patent No.:** **US D646,799 S**

(45) **Date of Patent:** **** Oct. 11, 2011**

(54) **ANCHOR**

(75) Inventors: **Gregg Yasher**, Independence, OH (US);
Greg Claycomb, Avon Lake, OH (US)

(73) Assignee: **Laser Perfect Products Company, Inc.**,
North Ridgeville, OH (US)

(**) Term: **14 Years**

(21) Appl. No.: **29/376,095**

(22) Filed: **Oct. 1, 2010**

(51) **LOC (9) Cl.** **25-01**

(52) **U.S. Cl.** **D25/133**

(58) **Field of Classification Search** D25/133;
52/698, 709; 256/1, 65.14, 64, 63
See application file for complete search history.

(56) **References Cited**

U.S. PATENT DOCUMENTS

6,684,580 B1 * 2/2004 Hull 52/170
D520,649 S * 5/2006 Hansort D25/133

7,441,751 B1 * 10/2008 Gibbs 256/23
D610,717 S * 2/2010 Lin D25/133
7,942,385 B2 * 5/2011 Begin 256/65.14
2007/0034847 A1 * 2/2007 Shertzer et al. 256/65.14

* cited by examiner

Primary Examiner — Doris Clark

(74) *Attorney, Agent, or Firm* — Fay Sharpe LLP

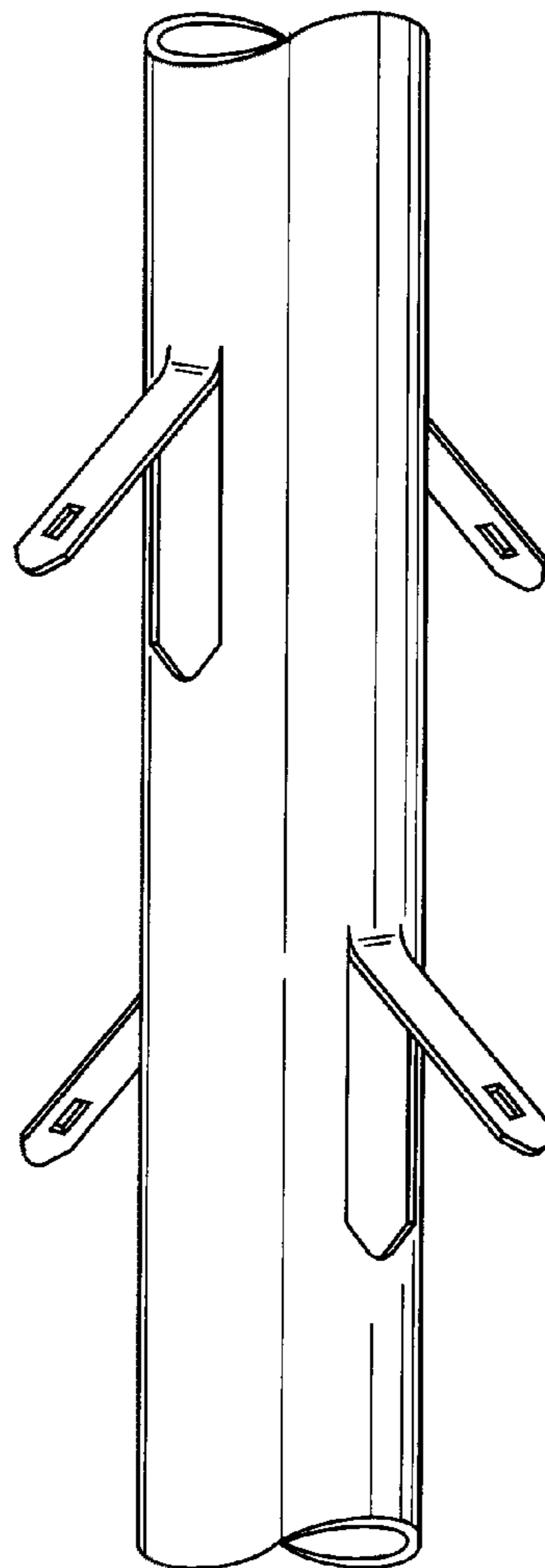
(57) **CLAIM**

The ornamental design for an anchor, as shown and described.

DESCRIPTION

FIG. 1 is a perspective view of an anchor;
FIG. 2 is a front elevational view thereof; with a rear elevational view being a mirror image thereof;
FIG. 3 is a right side elevational view thereof; with a left side elevational view being a mirror image thereof;
FIG. 4 is a top plan view thereof; and,
FIG. 5 is a bottom plan view thereof.

1 Claim, 2 Drawing Sheets



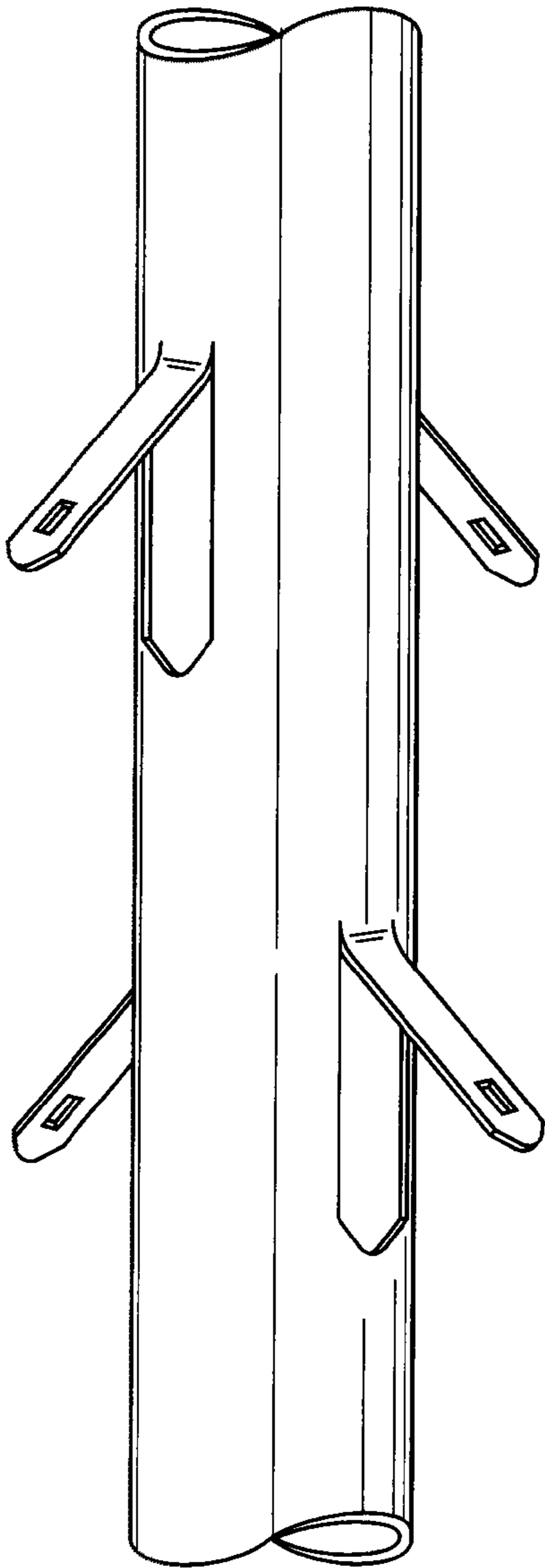


FIG. 1

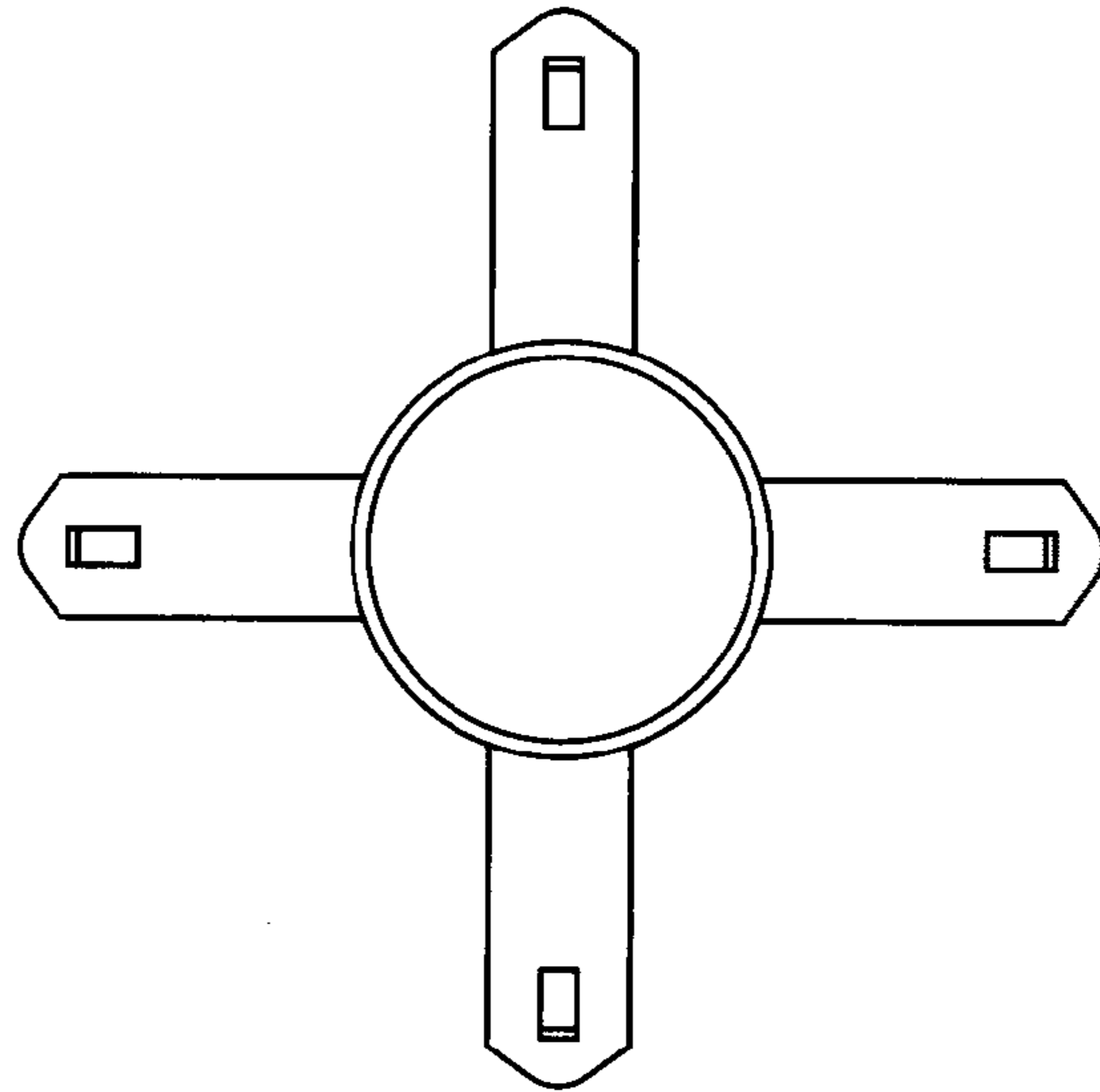


FIG. 4

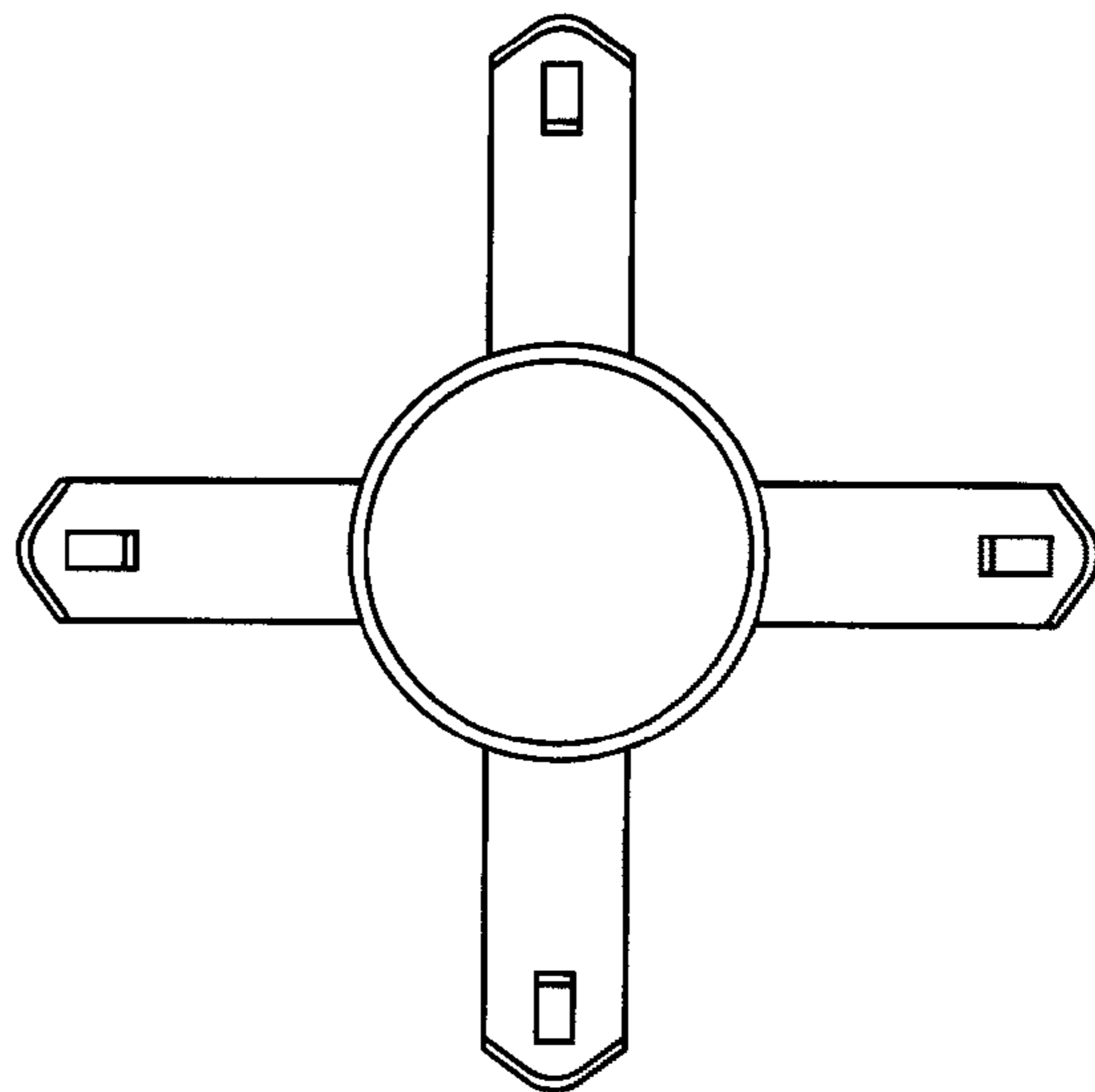


FIG. 5

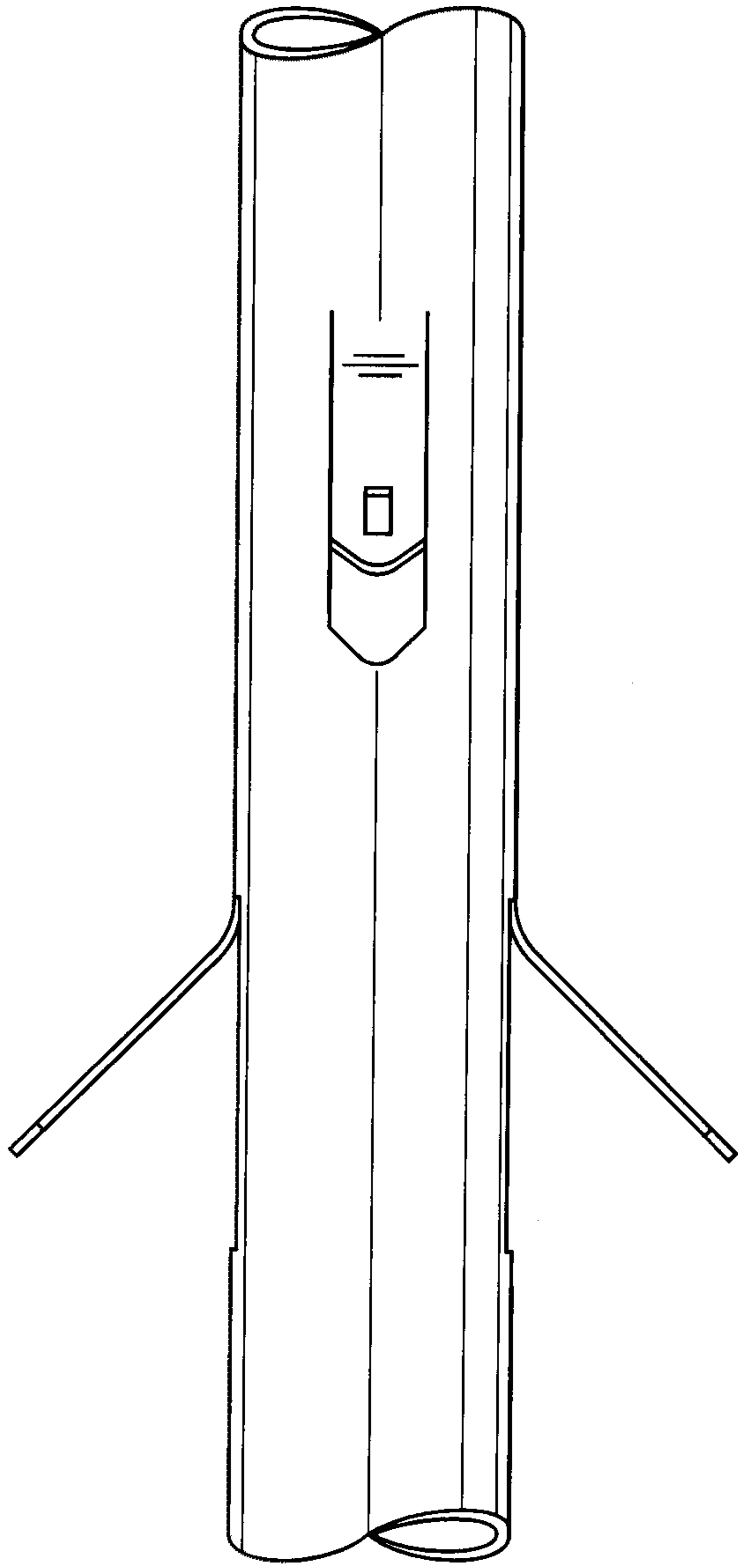


FIG. 2

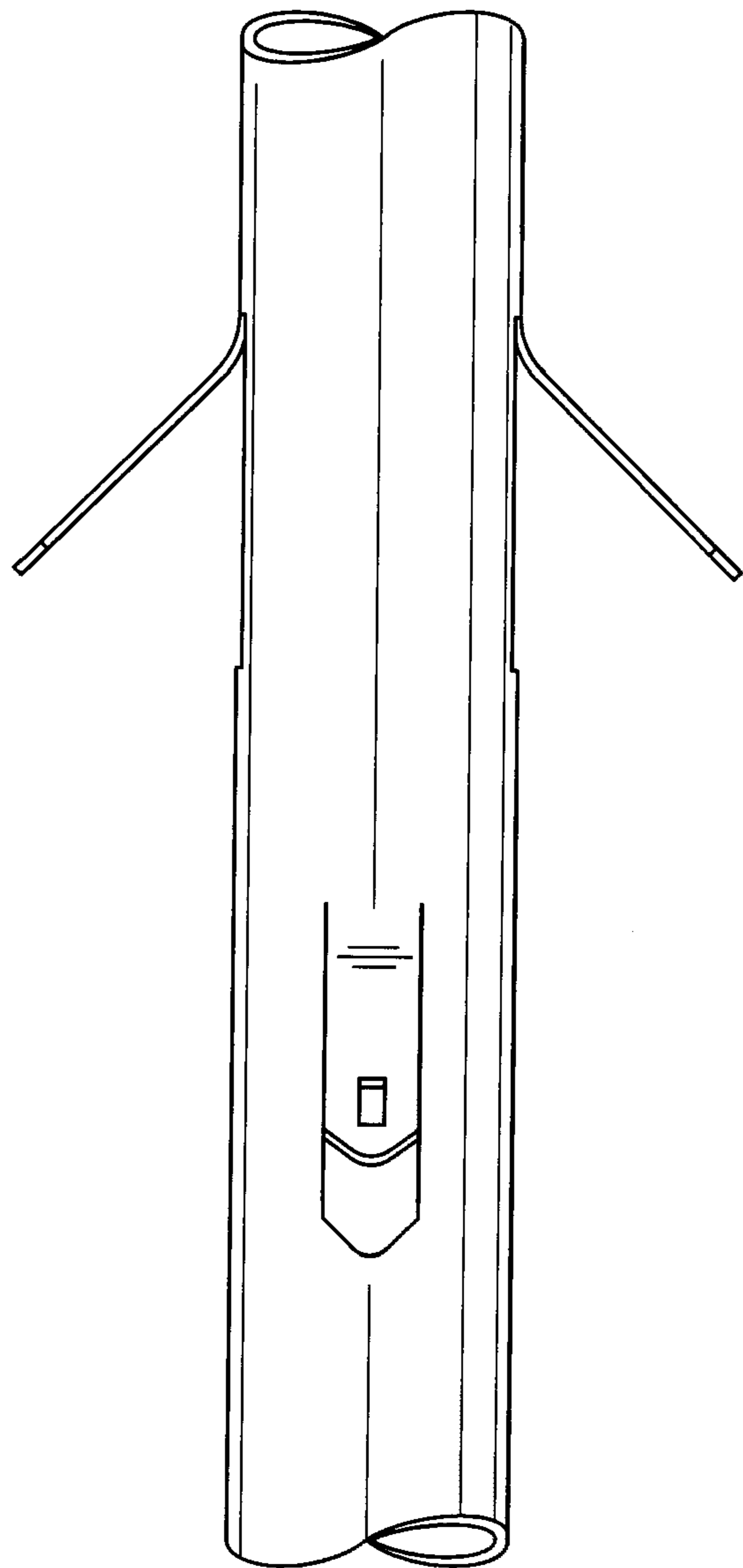


FIG. 3