



US00D646797S

(12) **United States Design Patent**  
**Oonuma et al.**

(10) **Patent No.:** **US D646,797 S**  
(45) **Date of Patent:** **\*\* Oct. 11, 2011**

(54) **ORGANIZER FOR LIQUID  
CHROMATOGRAPH ANALYZER**

(75) Inventors: **Mitsuru Oonuma**, Tokyo (JP); **Akira Omachi**, Komae (JP); **Hiroyuki Noda**, Musashino (JP); **Kantaro Maruoka**, Hitachinaka (JP); **Shoji Tomida**, Hitachinaka (JP); **Tomohiro Shoji**, Hitachinaka (JP)

(73) Assignee: **Hitachi High-Technologies Corporation**, Tokyo (JP)

(\*\*) Term: **14 Years**

(21) Appl. No.: **29/383,310**

(22) Filed: **Jan. 14, 2011**

(30) **Foreign Application Priority Data**

Sep. 17, 2010 (JP) ..... 2010-022432

(51) **LOC (9) Cl.** ..... **24-02**

(52) **U.S. Cl.** ..... **D24/232**

(58) **Field of Classification Search** ..... D24/227-232;  
D19/75, 77, 78, 83, 85, 86, 92, 95; 220/4.21-4.22,  
220/23.8, 23.87, 532-533, 835; 206/386,  
206/425, 508, 511, 518-521, 541, 555, 558,  
206/564, 572; D3/313, 304, 309, 315; D7/547,  
D7/590, 552.1, 553.5, 601, 632; 604/174  
See application file for complete search history.

(56) **References Cited**

**U.S. PATENT DOCUMENTS**

D268,130 S \* 3/1983 Easton ..... D24/230  
D393,982 S \* 5/1998 Pulitano ..... D7/590  
D393,983 S \* 5/1998 Pulitano ..... D7/590

D403,177 S \* 12/1998 Harper ..... D6/467  
D450,130 S \* 11/2001 Goldstein ..... D24/227  
D459,078 S \* 6/2002 Tondino ..... D3/313  
D520,239 S \* 5/2006 Rand et al. .... D3/304  
D547,982 S \* 8/2007 Yang et al. .... D6/510  
D579,662 S \* 11/2008 Dretzka ..... D3/313  
D588,839 S \* 3/2009 Klein et al. .... D6/462  
D589,729 S \* 4/2009 Klein et al. .... D6/510  
D610,848 S \* 3/2010 Yang et al. .... D6/510  
D613,875 S \* 4/2010 Mcdevitt ..... D24/227

**FOREIGN PATENT DOCUMENTS**

JP D 1128416 12/2001

\* cited by examiner

*Primary Examiner* — T. Chase Nelson

*Assistant Examiner* — Mark Cavanna

(74) *Attorney, Agent, or Firm* — Antonelli, Terry, Stout & Kraus, LLP.

(57) **CLAIM**

We claim the ornamental design for an organizer for liquid chromatograph analyzer, as shown and described.

**DESCRIPTION**

FIG. 1 is a front, top and right side perspective view of an organizer for liquid chromatograph analyzer showing our new design;

FIG. 2 is a front elevational view thereof;

FIG. 3 is a rear elevational view thereof;

FIG. 4 is a top plan view thereof;

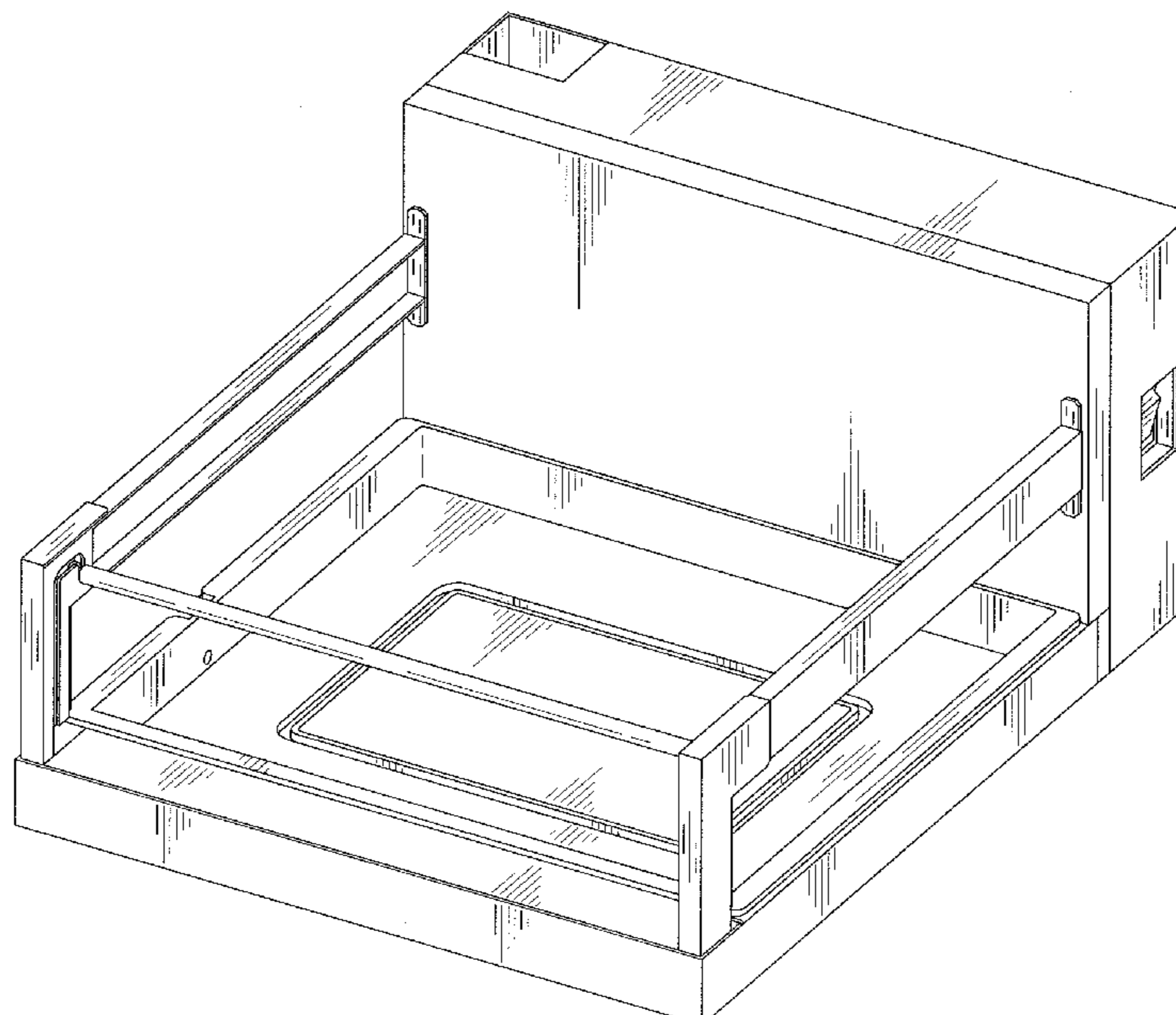
FIG. 5 is a bottom plan view thereof;

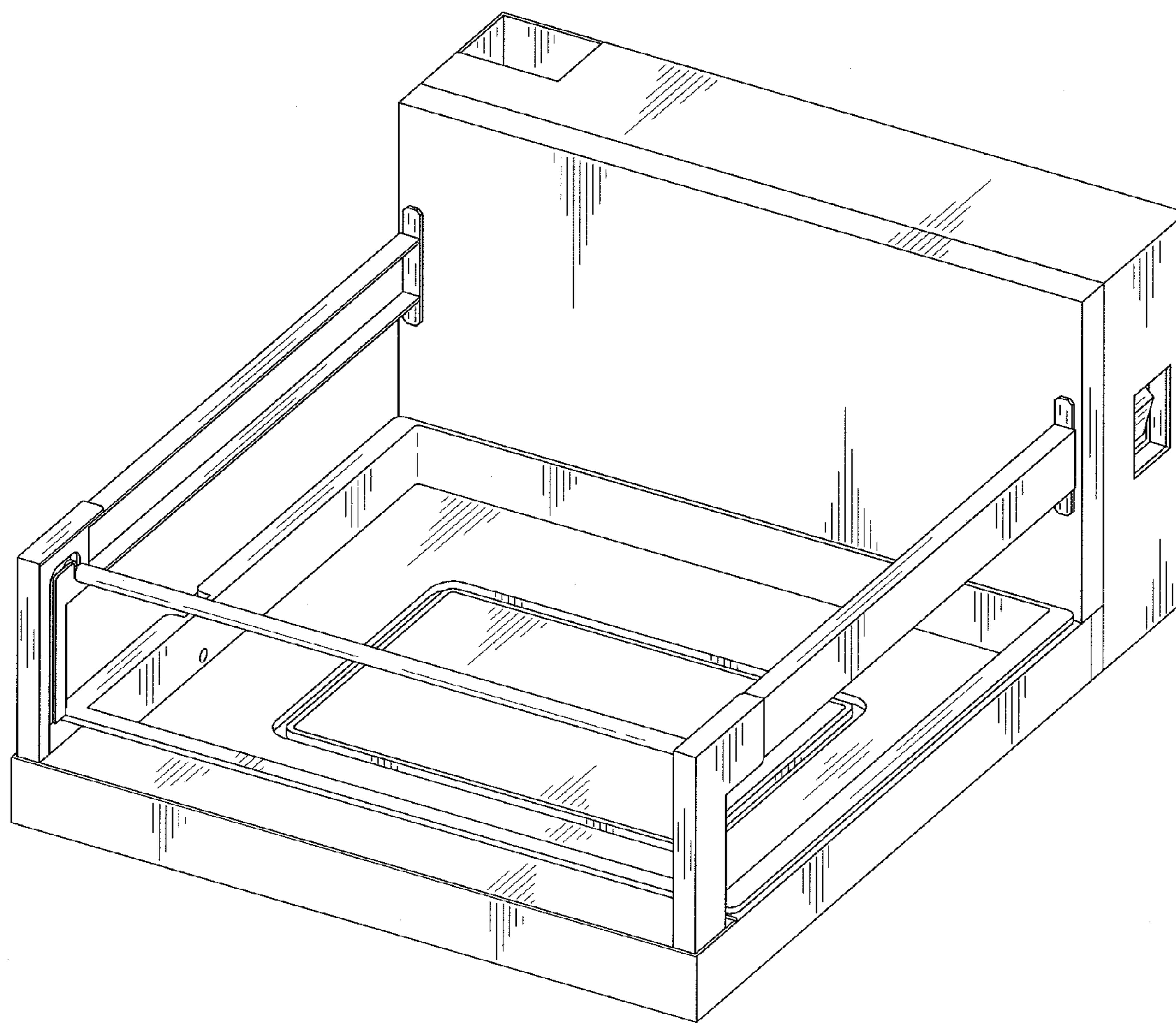
FIG. 6 is a left side elevational view thereof; and,

FIG. 7 is a right side elevational view thereof.

The broken lines shown are for illustrative purposes only and form no part of the claimed design.

**1 Claim, 5 Drawing Sheets**





*FIG. 1*

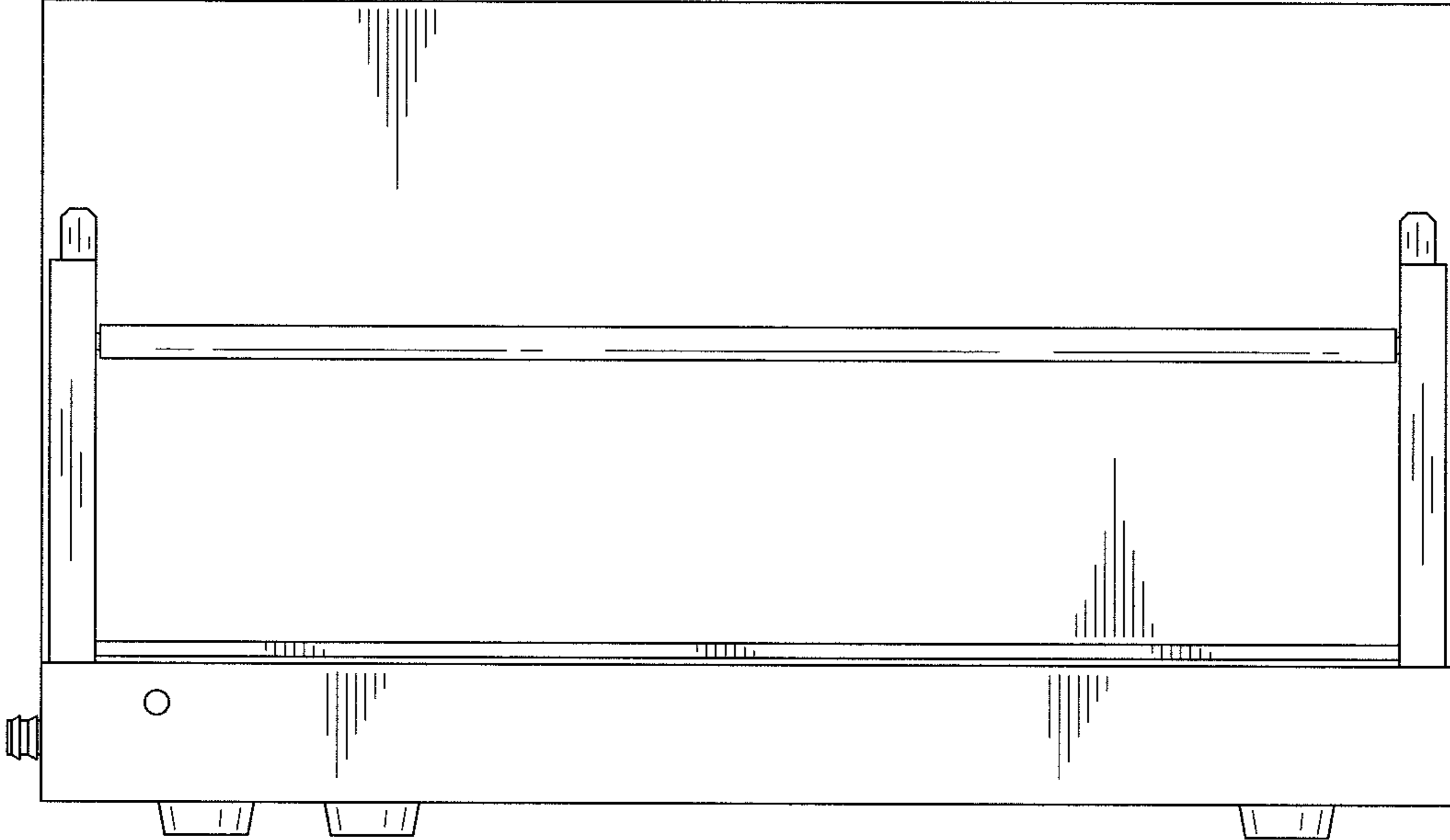


FIG. 2

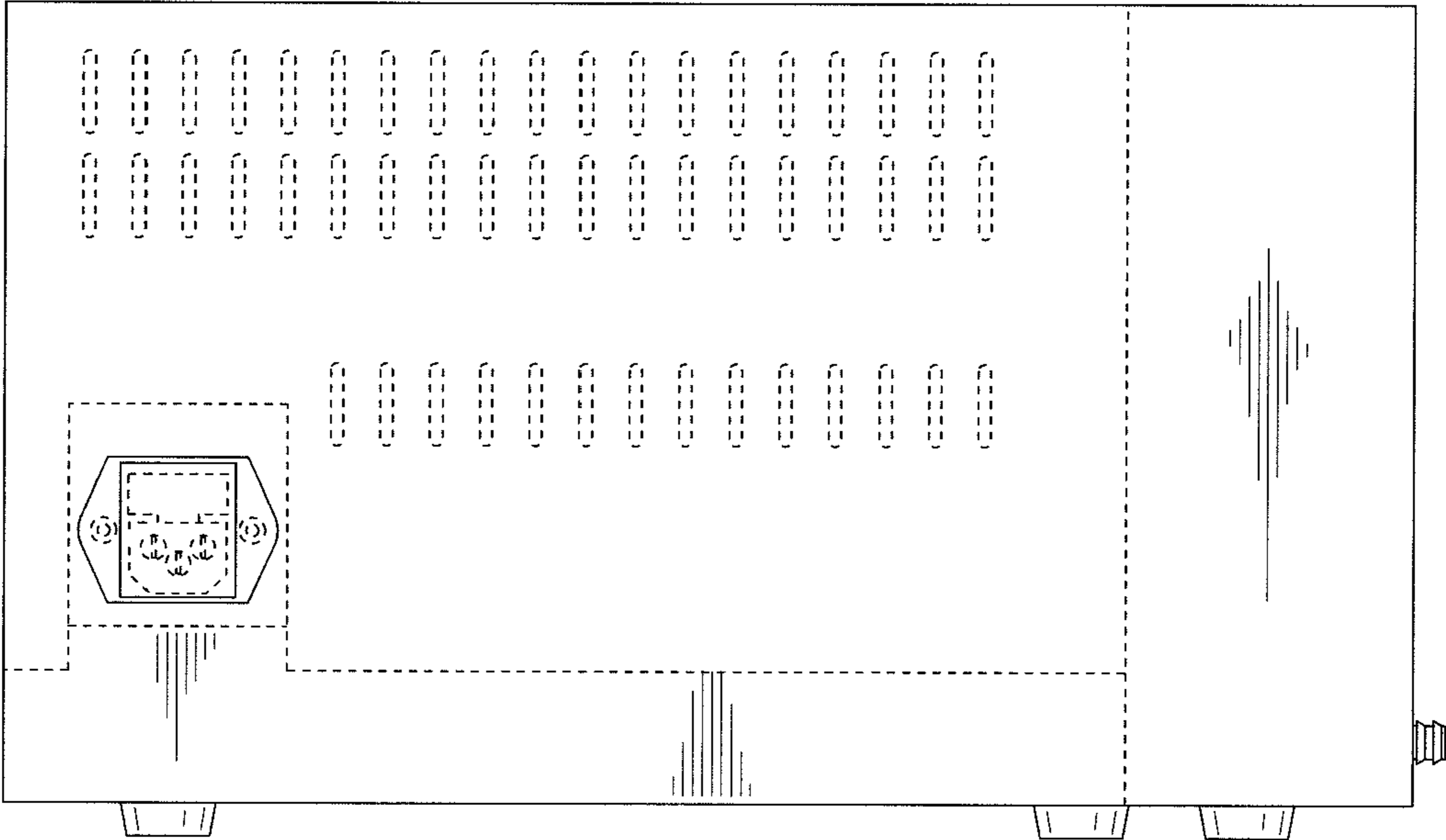


FIG. 3

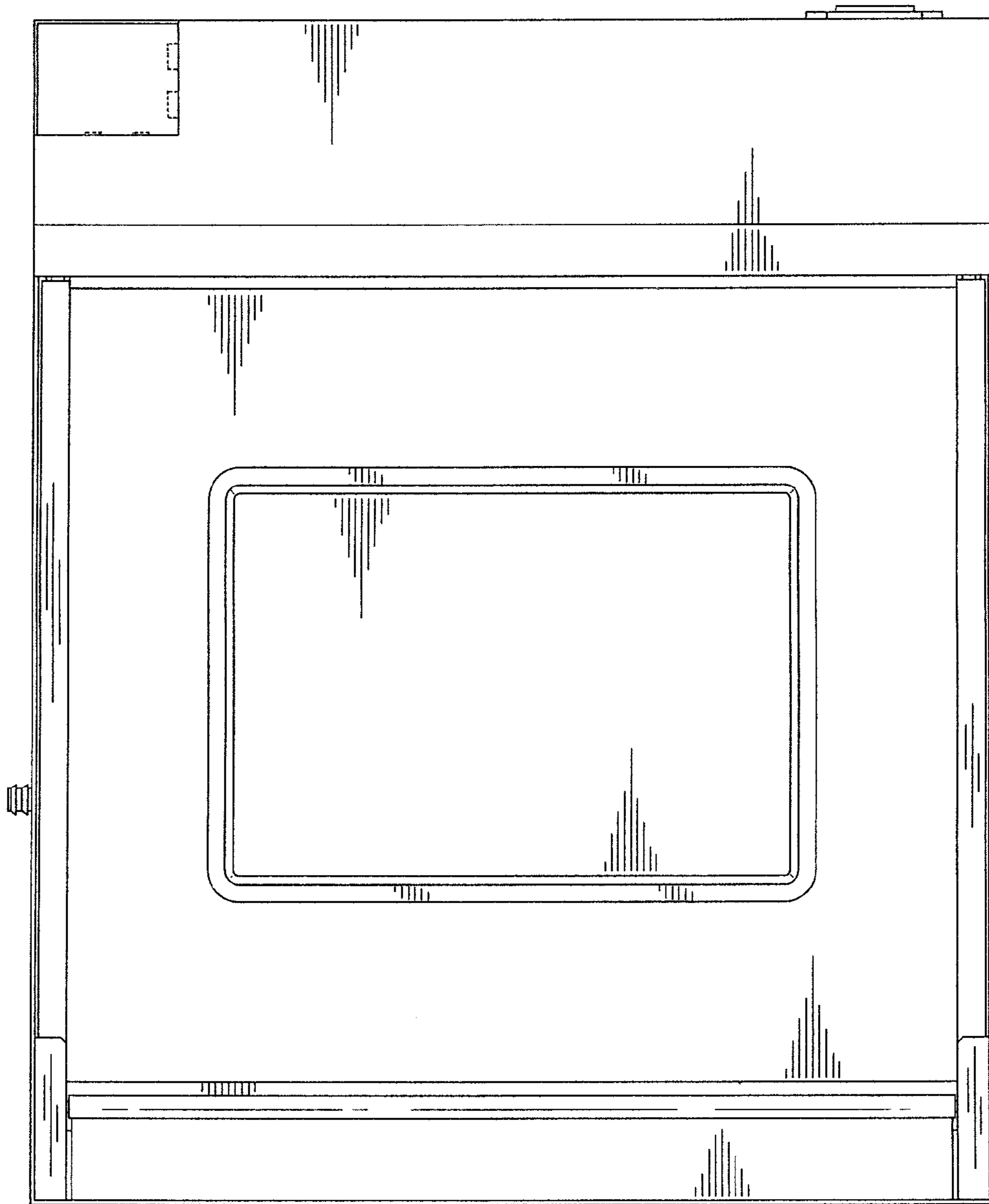


FIG. 4

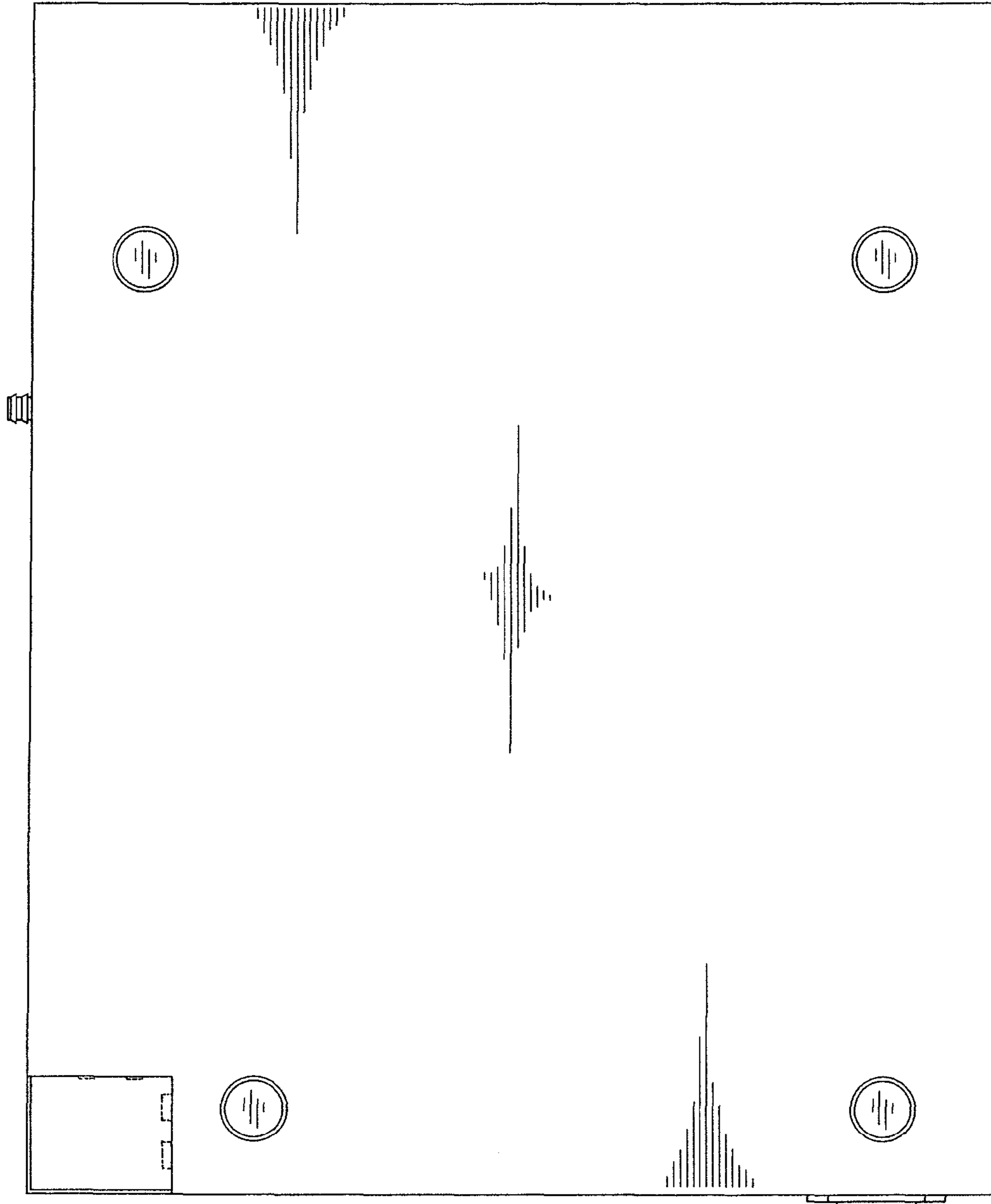


FIG. 5

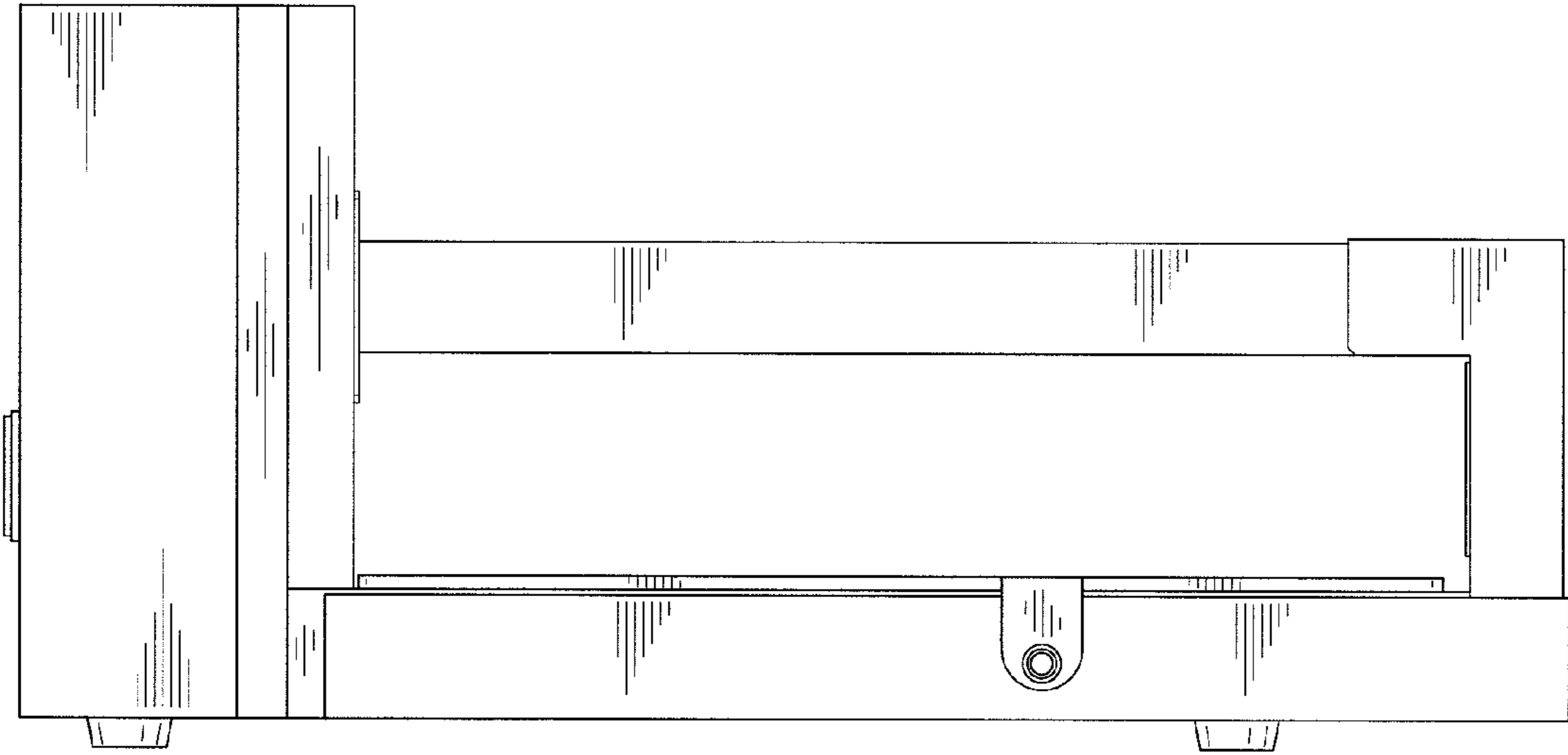


FIG. 6

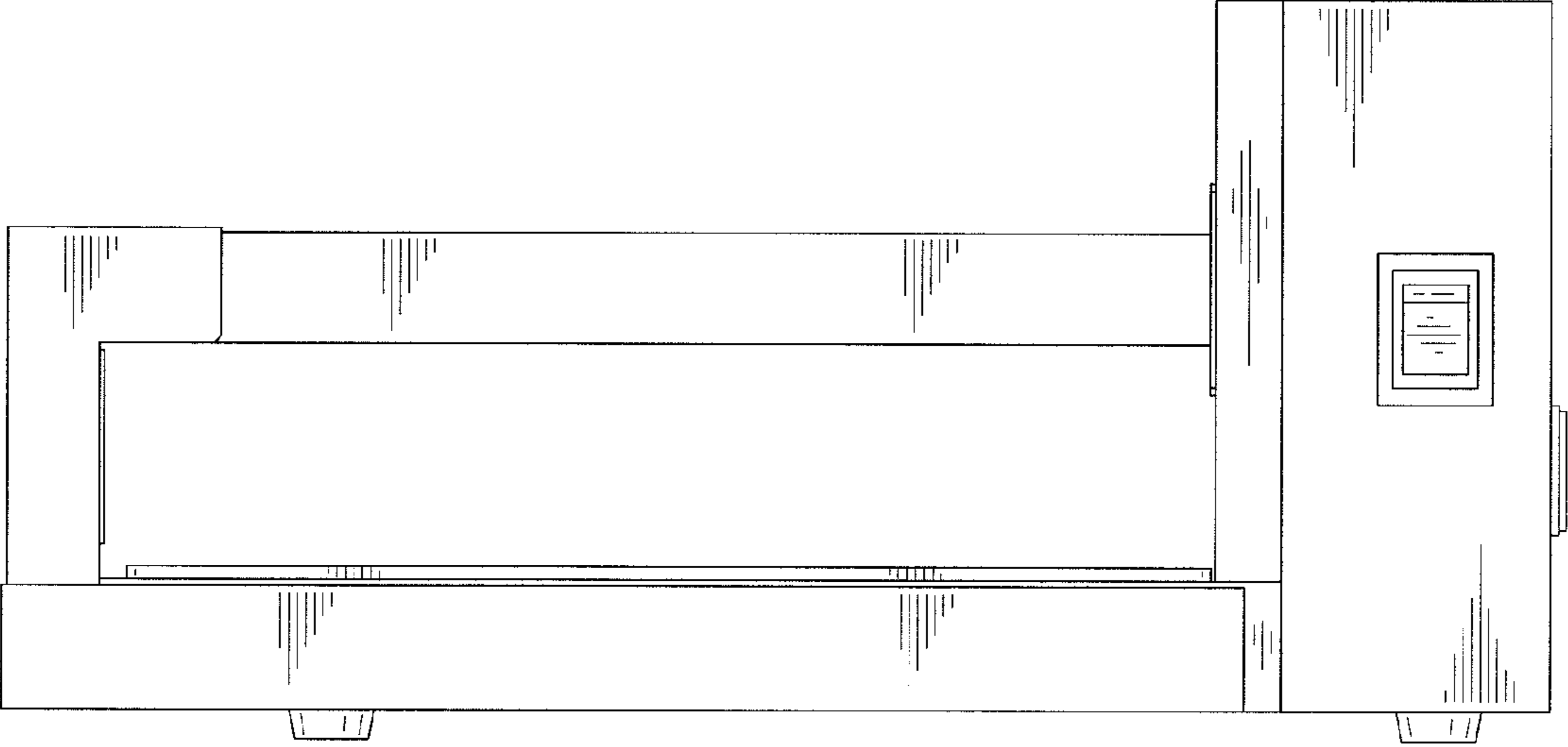


FIG. 7