



US00D646796S

(12) **United States Design Patent**  
**Walter**

(10) **Patent No.:** **US D646,796 S**  
(45) **Date of Patent:** **\*\* Oct. 11, 2011**

(54) **PILL SORTING STYLUS TOOL AND TRAY**

(75) Inventor: **Leonard Jay Walter**, Flossmoor, IL  
(US)

(73) Assignee: **Len Walter Enterprises, LLC**,  
Flossmoor, IL (US)

(\*\*) Term: **14 Years**

(21) Appl. No.: **29/388,280**

(22) Filed: **Mar. 28, 2011**

**Related U.S. Application Data**

(63) Continuation of application No. 29/367,300, filed on  
Aug. 5, 2010, now abandoned.

(51) **LOC (9) Cl.** ..... **24-01**

(52) **U.S. Cl.** ..... **D24/227**

(58) **Field of Classification Search** ..... D24/123,  
D24/176, 216, 224, 227-232, 218, 221; 422/99,  
422/102, 104, 297, 300; 433/77; D3/304,  
D3/307, 308, 314, 315; D6/601, 406.1, 406.3,  
D6/406.4; 206/438

See application file for complete search history.

(56) **References Cited**

**U.S. PATENT DOCUMENTS**

4,073,530	A	2/1978	Seidler	
D248,871	S *	8/1978	Forsman et al.	D6/601
D249,362	S *	9/1978	Forsman et al.	D24/230
D262,995	S *	2/1982	Gaba et al.	D24/229
D274,259	S *	6/1984	Hamilton et al.	D24/224
D276,462	S *	11/1984	Villarreal	D24/229
4,653,789	A	3/1987	McWilliams et al.	
4,848,815	A	7/1989	Molloy	
D313,276	S *	12/1990	McHugh	D24/227
5,040,981	A	8/1991	Oliva	
5,181,755	A	1/1993	Stanwich et al.	
D334,973	S *	4/1993	Valentine et al.	D24/227
D337,830	S *	7/1993	Coyne et al.	D24/229
5,251,943	A	10/1993	Dalbo et al.	
D352,516	S *	11/1994	Newman et al.	D24/218
5,967,574	A	10/1999	Weichman et al.	
D428,225	S	7/2000	Prime et al.	
6,175,984	B1	1/2001	Prime et al.	

D438,631	S *	3/2001	Miller	D24/216
D438,632	S *	3/2001	Miller	D24/224
D438,633	S *	3/2001	Miller	D24/224
D441,090	S *	4/2001	Broyles	D24/227
6,220,250	B1	4/2001	Park	
D450,130	S *	11/2001	Goldstein	D24/227
6,695,369	B2	2/2004	Schmidt et al.	
6,896,741	B2	5/2005	Stelcher	
D535,755	S *	1/2007	Discko, Jr.	D24/221
7,306,391	B1	12/2007	Spreier	
D559,398	S *	1/2008	Maliakal	D24/232
7,490,380	B2	2/2009	Terao	
D596,311	S *	7/2009	Antons	D24/227
D618,821	S *	6/2010	Larsen	D24/227
2005/0161961	A1	7/2005	Ruff et al.	
2008/0098604	A1	5/2008	Levi et al.	
2008/0283193	A1	11/2008	Chen	

\* cited by examiner

*Primary Examiner* — T. Chase Nelson

*Assistant Examiner* — Mark Cavanna

(74) *Attorney, Agent, or Firm* — Venable LLP; Eric J. Franklin

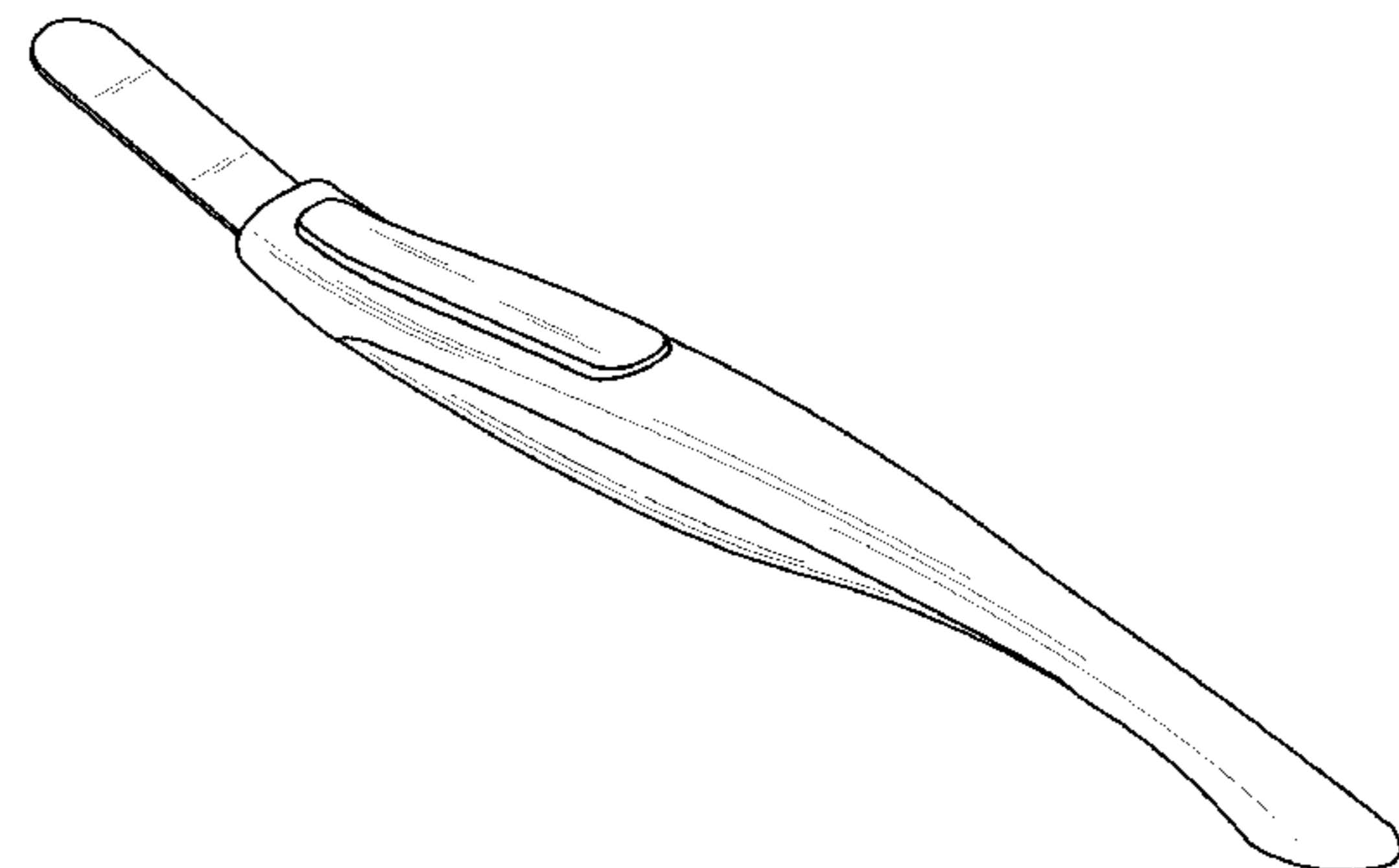
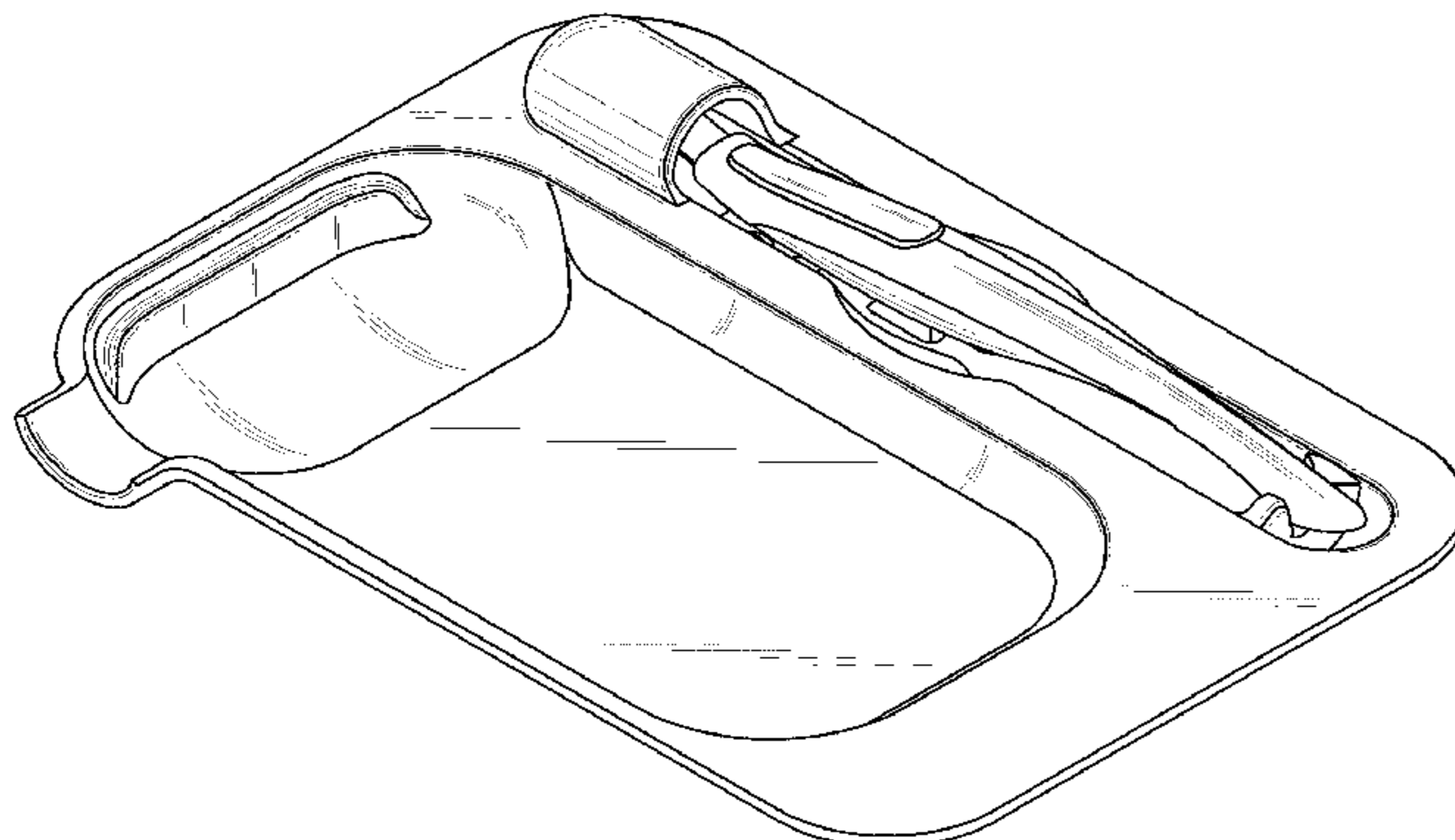
(57) **CLAIM**

The ornamental design for a pill sorting stylus tool and tray, as shown and described.

**DESCRIPTION**

FIG. 1 represents a perspective view of a pill sorting stylus tool and tray showing my new design;  
 FIG. 2 represents a top view thereof;  
 FIG. 3 represents a bottom view thereof;  
 FIG. 4 represents a right-side view thereof;  
 FIG. 5 represents a left-side view thereof;  
 FIG. 6 represents a front view thereof;  
 FIG. 7 represents a rear view thereof;  
 FIG. 8 represents a perspective view of the stylus tool of the pill sorting stylus tool and tray, shown separated for clarity of disclosure.  
 FIG. 9 represents a right side view thereof;  
 FIG. 10 represents a top view thereof;  
 FIG. 11 represents a bottom view thereof;  
 FIG. 12 represents a front view thereof; and,  
 FIG. 13 represents a rear view thereof.

**1 Claim, 8 Drawing Sheets**



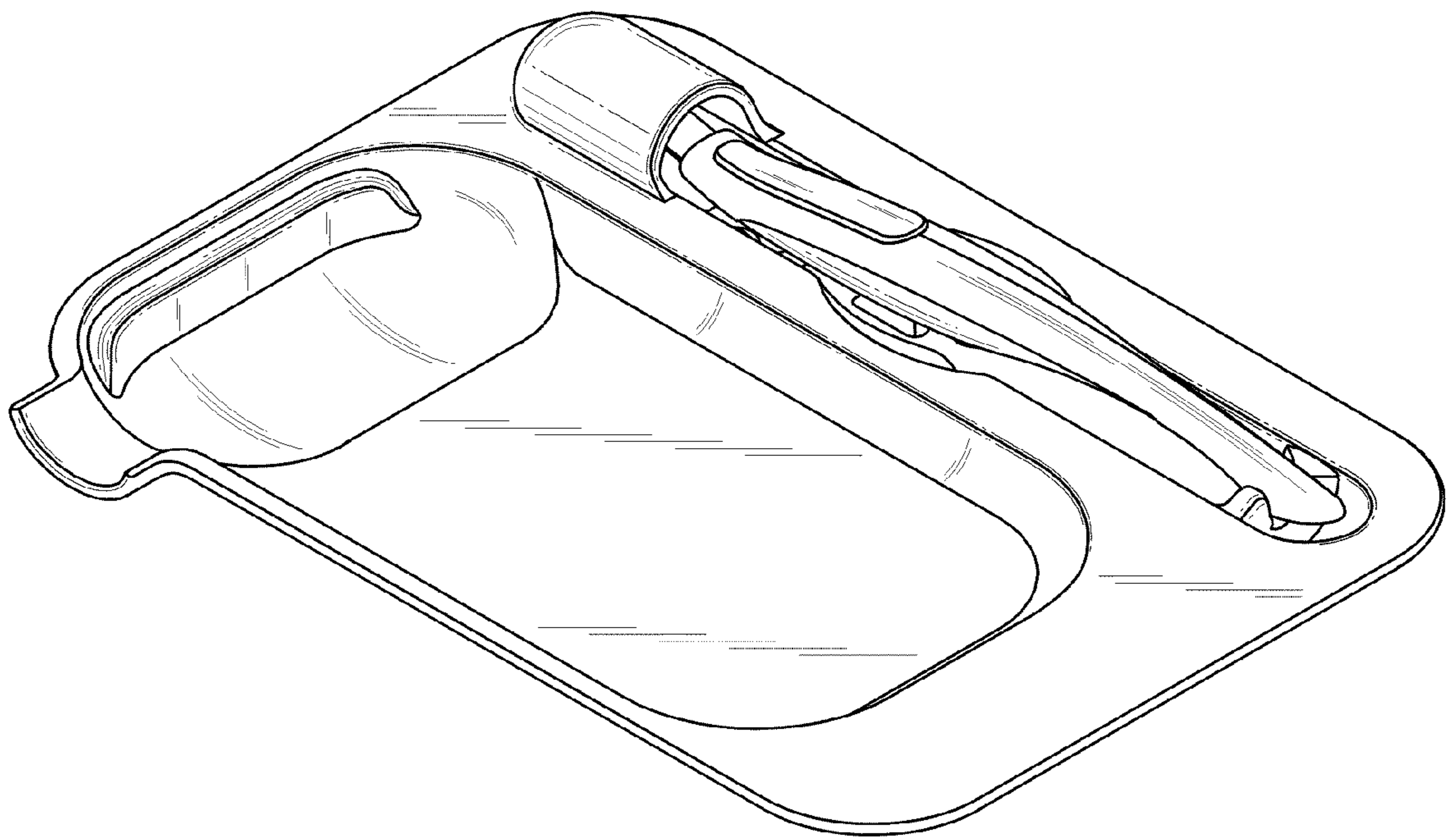


Fig. 1

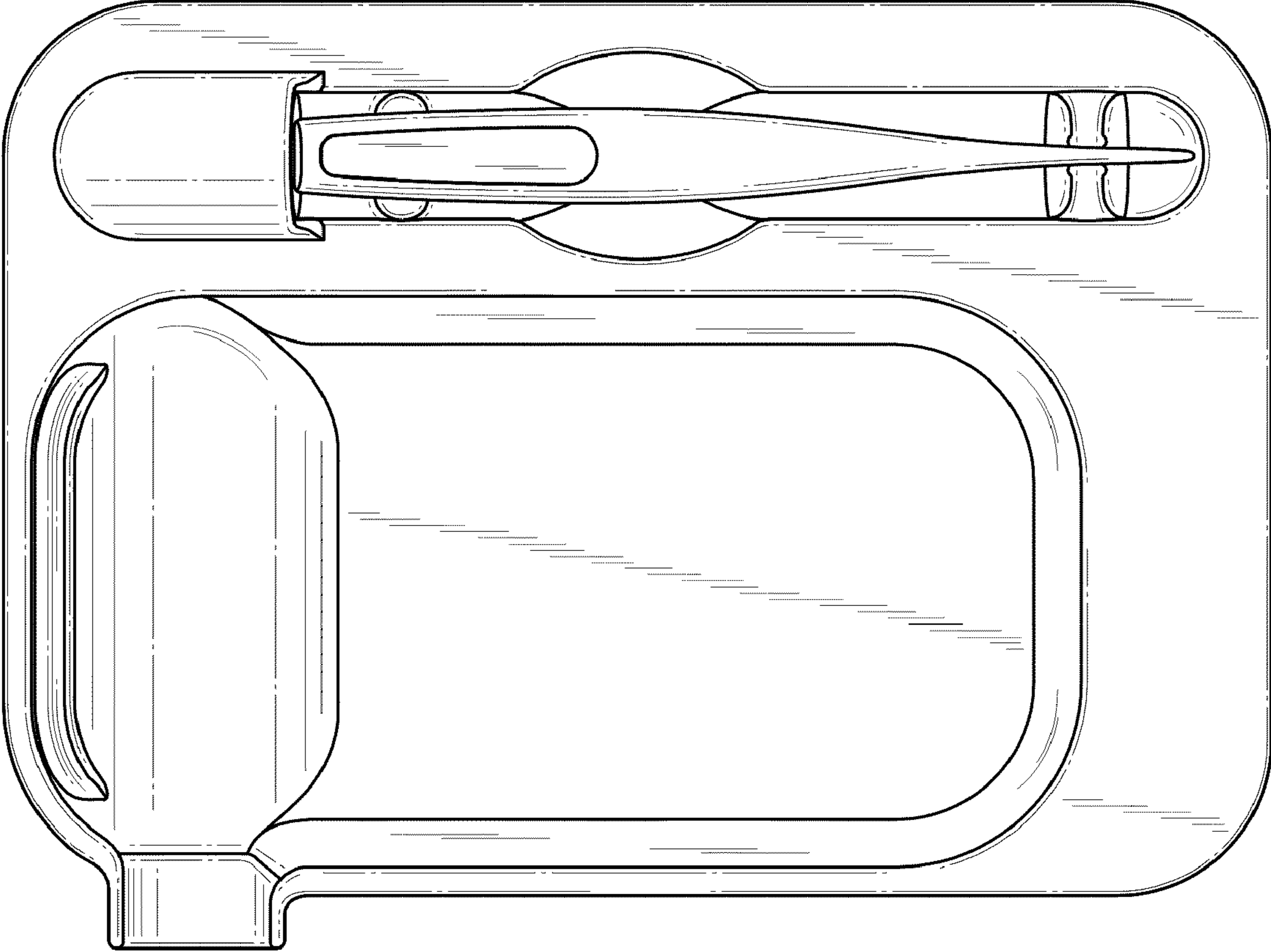
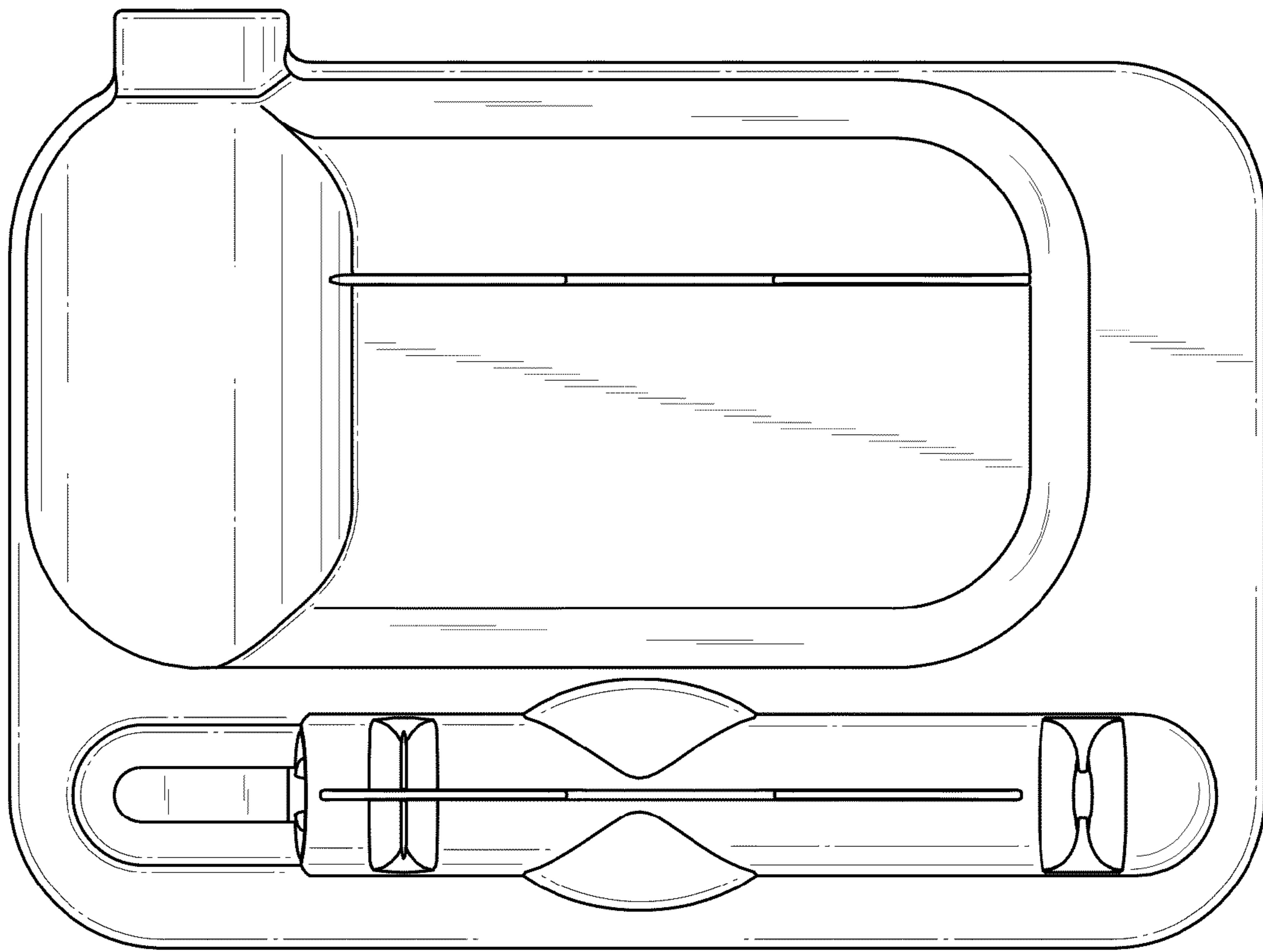
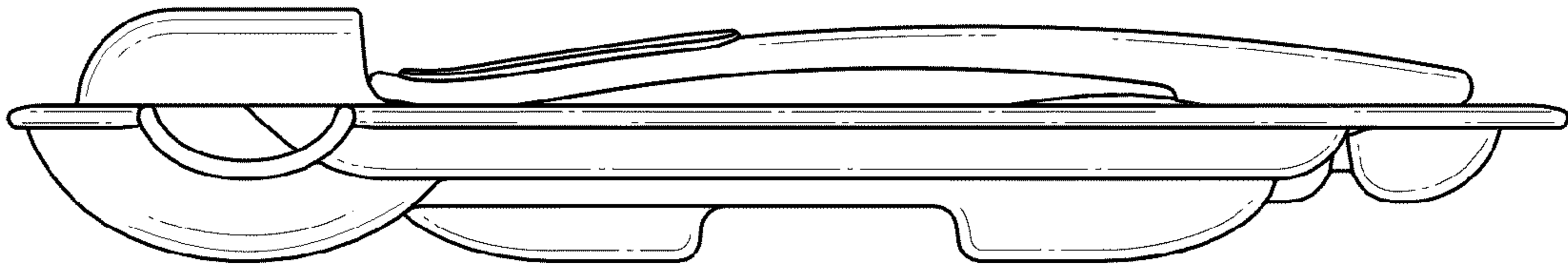


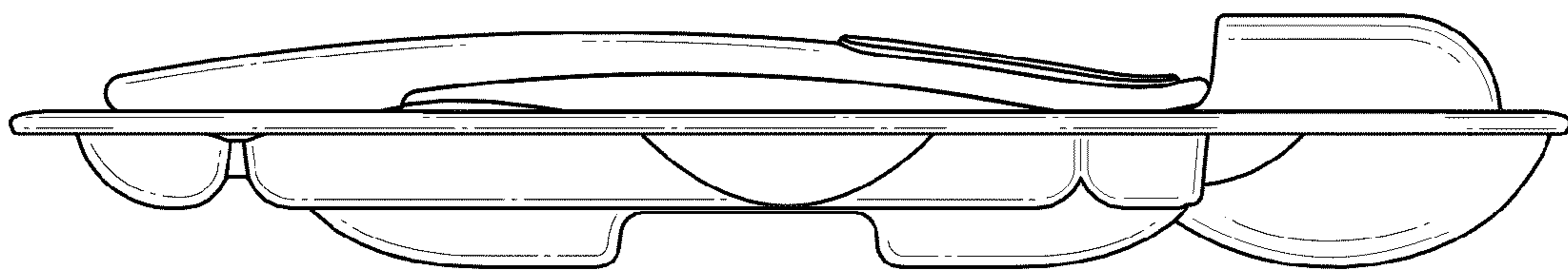
Fig. 2



**Fig. 3**



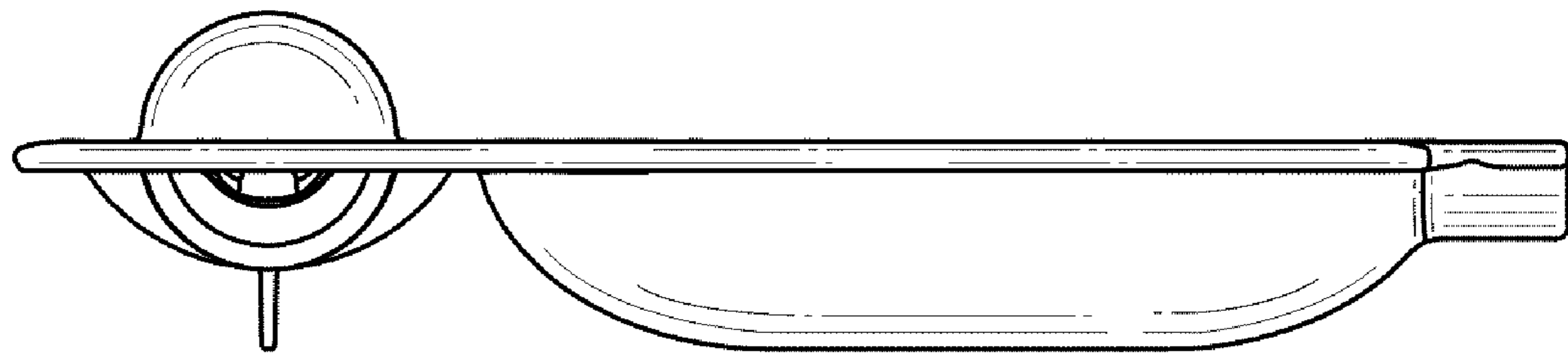
**Fig. 4**



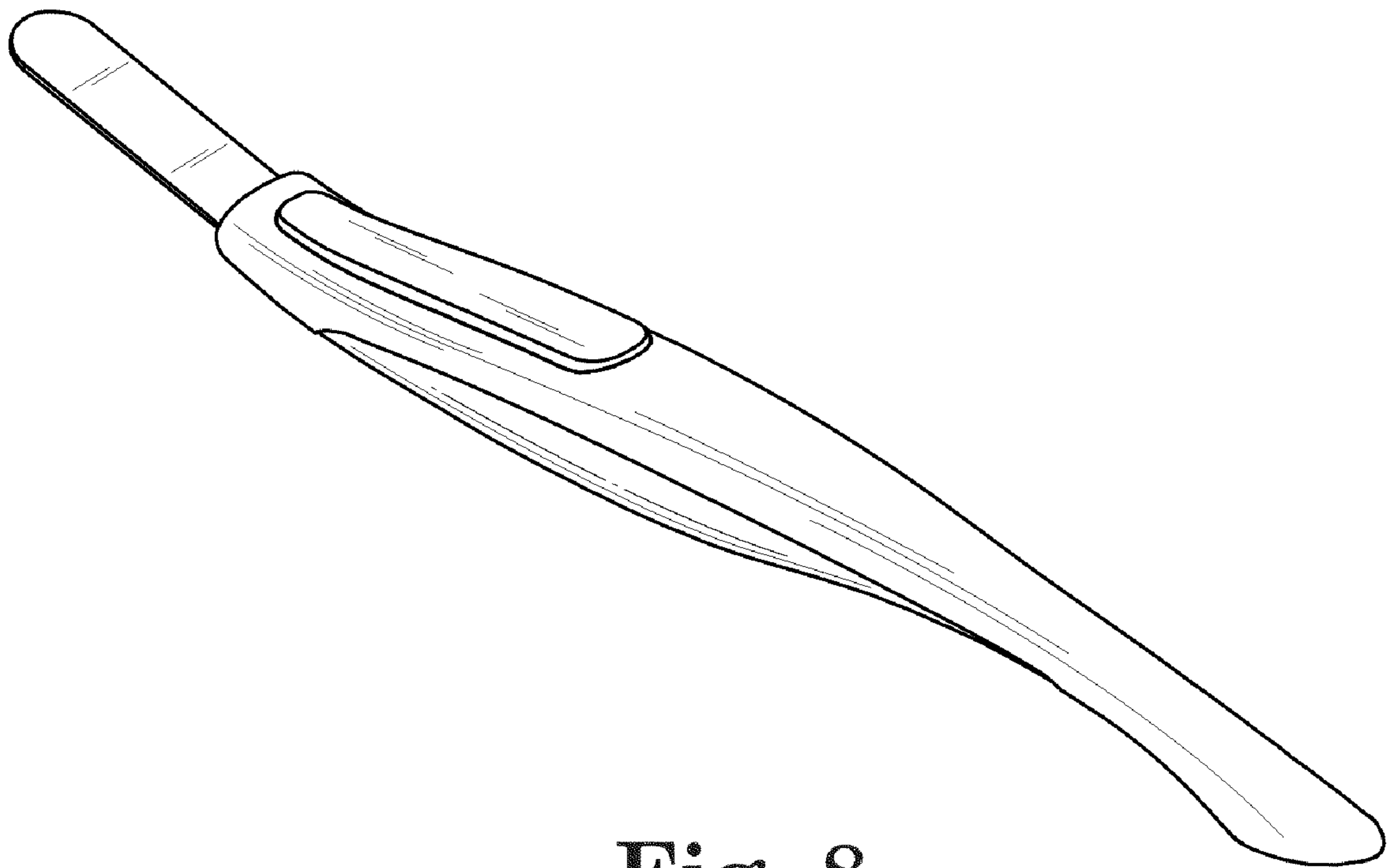
**Fig. 5**



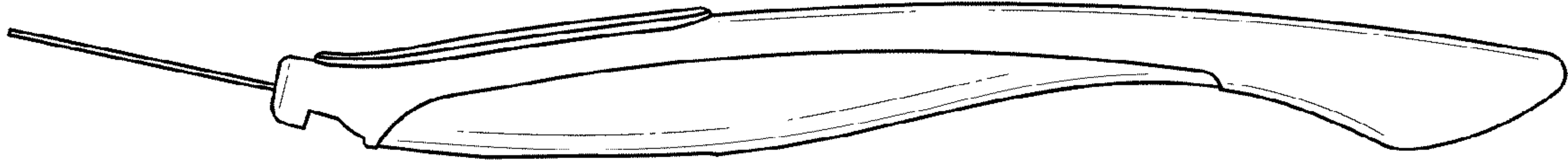
**Fig. 6**



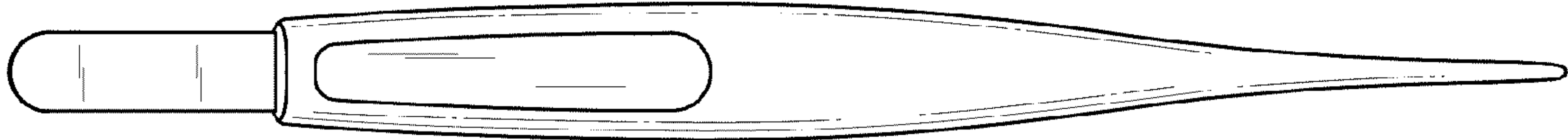
**Fig. 7**



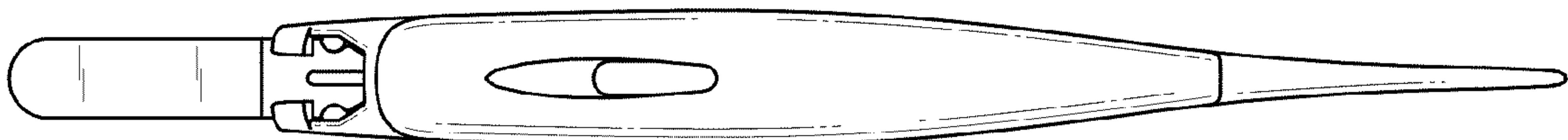
**Fig. 8**



**Fig. 9**

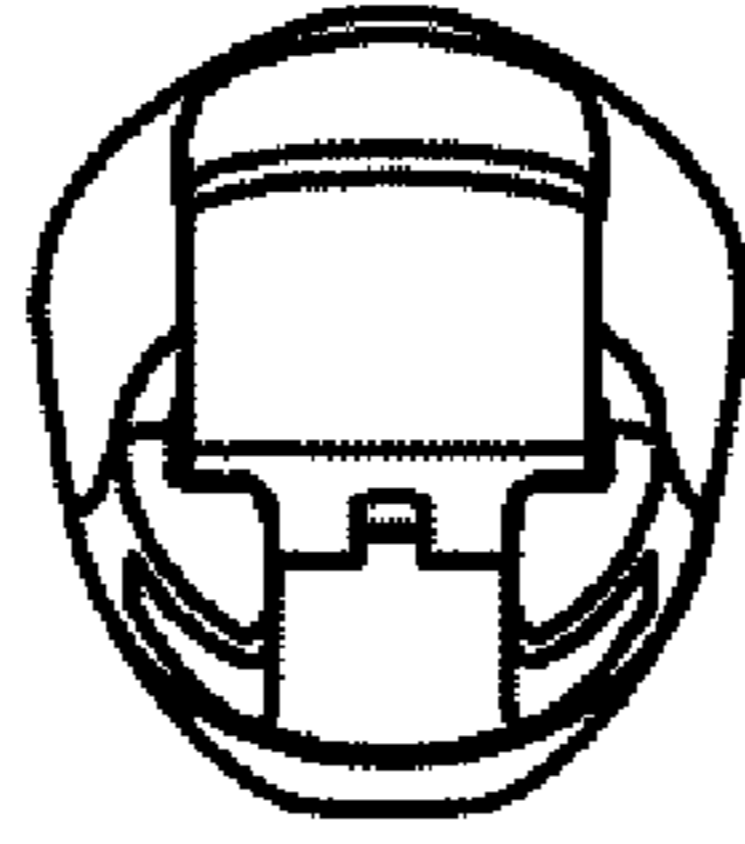


**Fig. 10**



**Fig. 11**





**Fig. 12**



**Fig. 13**