



US00D646794S

(12) **United States Design Patent**
Hennessey

(10) **Patent No.:** **US D646,794 S**

(45) **Date of Patent:** **** Oct. 11, 2011**

(54) **MASSAGER**

(76) Inventor: **Daniel J. Hennessey**, Como, CO (US)

(**) Term: **14 Years**

(21) Appl. No.: **29/380,407**

(22) Filed: **Dec. 3, 2010**

(51) **LOC (9) Cl.** **28-03**

(52) **U.S. Cl.** **D24/214**

(58) **Field of Classification Search** D24/200,
D24/211–215; 601/118, 120, 121, 124, 125,
601/130, 131, 134–137

See application file for complete search history.

(56) **References Cited**

U.S. PATENT DOCUMENTS

1,612,343	A *	12/1926	Amussen	601/135
D185,246	S	5/1959	Taran		
D268,362	S *	3/1983	Wong	D24/211
4,493,315	A	1/1985	Iwahashi		
4,520,798	A	6/1985	Lewis		
D317,204	S *	5/1991	Hennessey	D24/211
D326,525	S *	5/1992	Shimizu	D24/214
D326,721	S *	6/1992	Ujifusa et al.	D24/211
D336,959	S *	6/1993	Liming	D24/214
D340,527	S *	10/1993	Goodell	D24/211

(Continued)

OTHER PUBLICATIONS

“Body Back Buddy Massage Cane”—Web page printed on Aug. 25, 2010. Unknown publication date.

Primary Examiner — Sandra Snapp

(74) *Attorney, Agent, or Firm* — Klaas, Law, O’Meara & Malkin, P.C.; Robert W. Nelson

(57) **CLAIM**

The ornamental design for a massager, as shown and described.

DESCRIPTION

FIG. 1 is a perspective view of a first embodiment of the invention.

FIG. 2 is a side elevation view of the first embodiment.

FIG. 3 is a side elevation view, opposite the view of FIG. 2, of the first embodiment.

FIG. 4 is a side elevation view of the first embodiment.

FIG. 5 is a side elevation view, opposite the view of FIG. 4, of the first embodiment.

FIG. 6 is a top plan view of the first embodiment.

FIG. 7 is a bottom plan view of the first embodiment.

FIG. 8 is a perspective view of a second embodiment of the invention.

FIG. 9 is a side elevation view of the second embodiment.

FIG. 10 is a side elevation view, opposite the view of FIG. 9, of the second embodiment.

FIG. 11 is a side elevation view of the second embodiment.

FIG. 12 is a side elevation view, opposite the view of FIG. 11, of the second embodiment.

FIG. 13 is a top plan view of the second embodiment.

FIG. 14 is a bottom plan view of the second embodiment.

FIG. 15 is a perspective view of a third embodiment of the invention.

FIG. 16 is a side elevation view of the third embodiment.

FIG. 17 is a side elevation view, opposite the view of FIG. 16, of the third embodiment.

FIG. 18 is a side elevation view of the third embodiment.

FIG. 19 is a side elevation view, opposite the view of FIG. 18, of the third embodiment.

FIG. 20 is a top plan view of the third embodiment.

FIG. 21 is a bottom plan view of the third embodiment.

FIG. 22 is a perspective view of a fourth embodiment of the invention.

FIG. 23 is a side elevation view of the fourth embodiment.

FIG. 24 is a side elevation view, opposite the view of FIG. 23, of the fourth embodiment.

FIG. 25 is a side elevation view of the fourth embodiment.

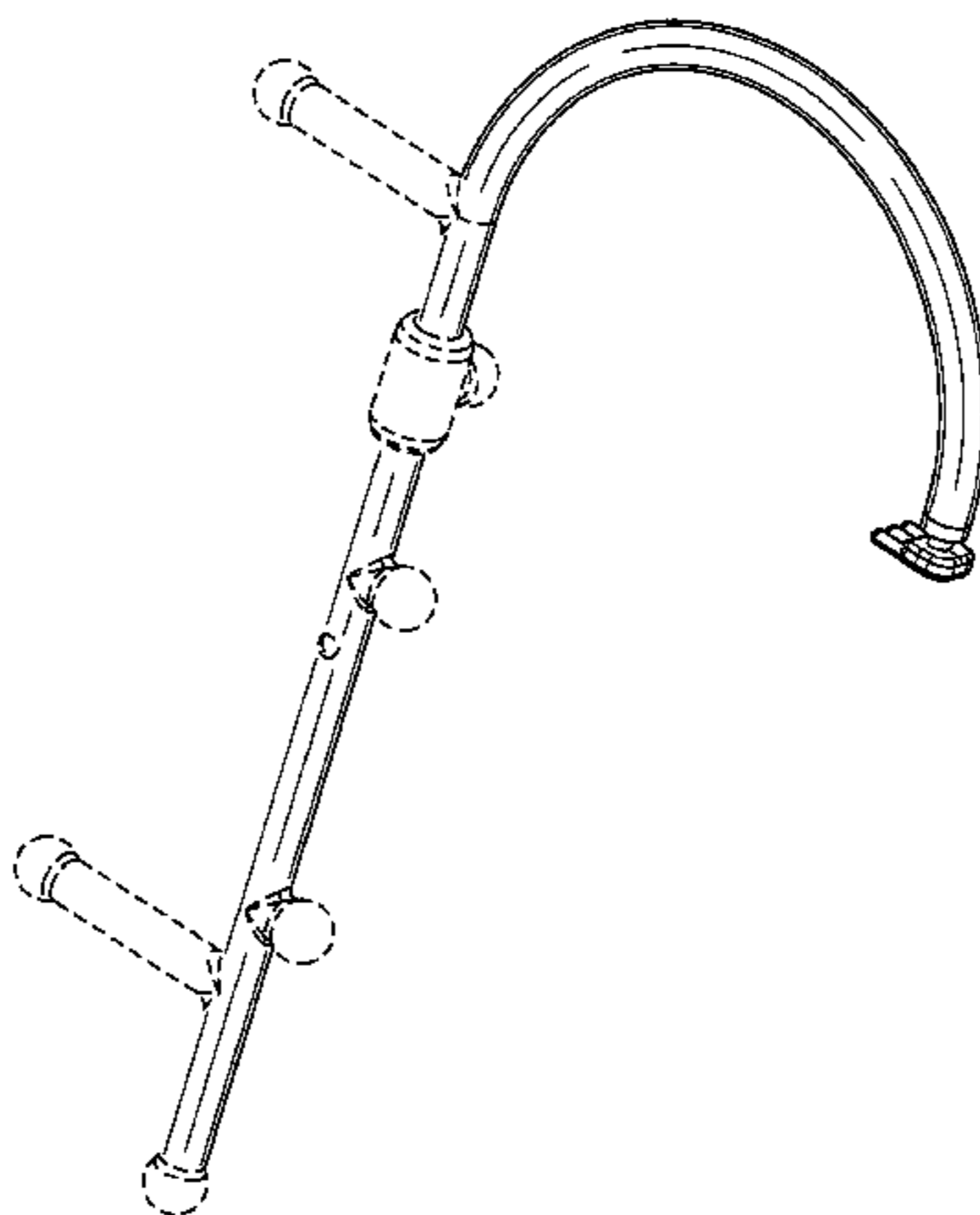
FIG. 26 is a side elevation view, opposite the view of FIG. 25, of the fourth embodiment.

FIG. 27 is a top plan view of the fourth embodiment; and,

FIG. 28 is a bottom plan view of the fourth embodiment.

The structure shown in broken lines is for environmental purposes only and does not form any part of the claimed invention.

1 Claim, 20 Drawing Sheets



US D646,794 S

Page 2

U.S. PATENT DOCUMENTS

D359,124 S *	6/1995	Rosenberg	D24/211	D436,181 S *	1/2001	Lazio	D24/214
D382,644 S *	8/1997	Chi	D24/200	6,261,251 B1 *	7/2001	Meyers	601/135
D402,764 S *	12/1998	Chatfield	D24/211	D461,009 S *	7/2002	Viner	D24/214
D403,431 S *	12/1998	Gladieux, Jr.	D24/215	7,335,171 B2 *	2/2008	Ewell et al.	601/15
D423,676 S *	4/2000	Lazio	D24/214	D590,510 S *	4/2009	Johansen et al.	D24/214

* cited by examiner

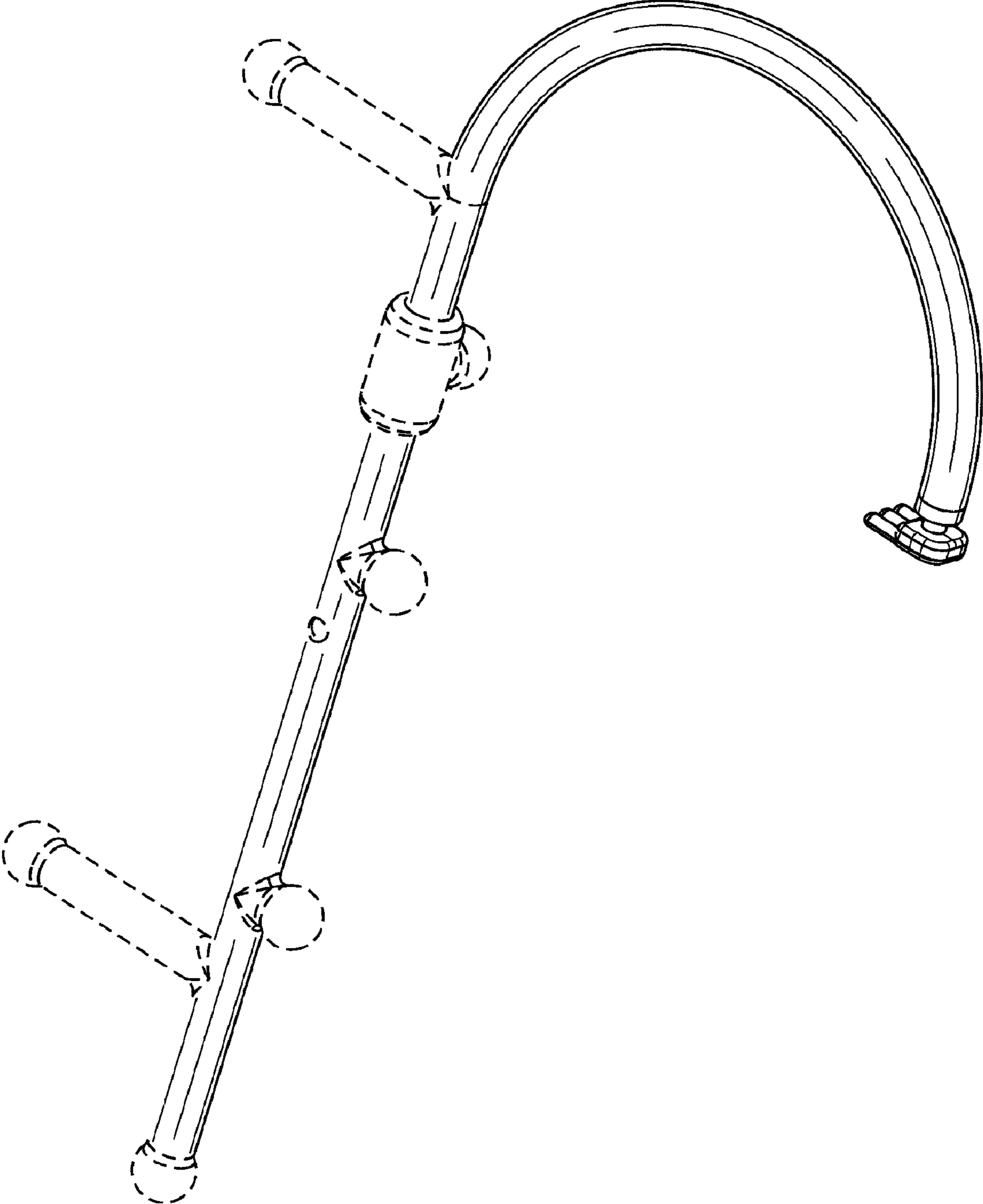


FIG. 1

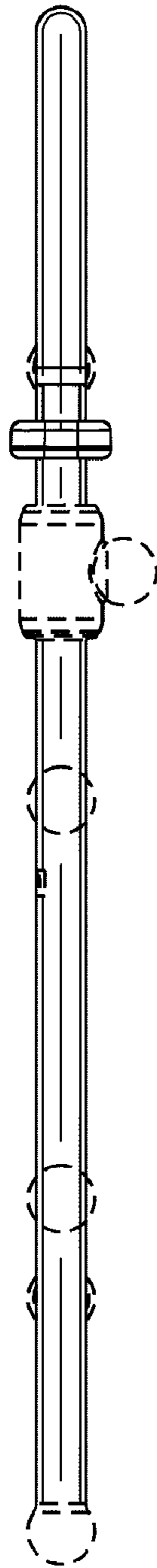


FIG. 2

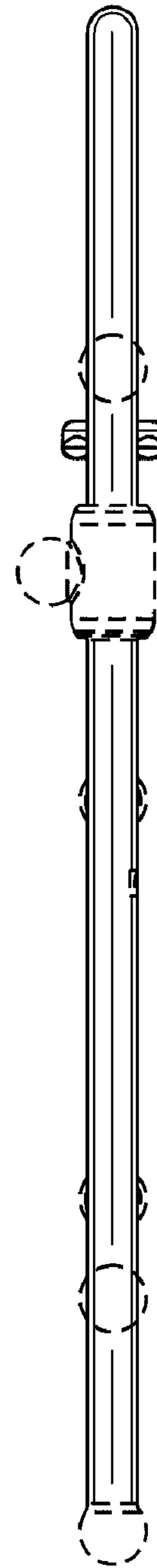


FIG. 3

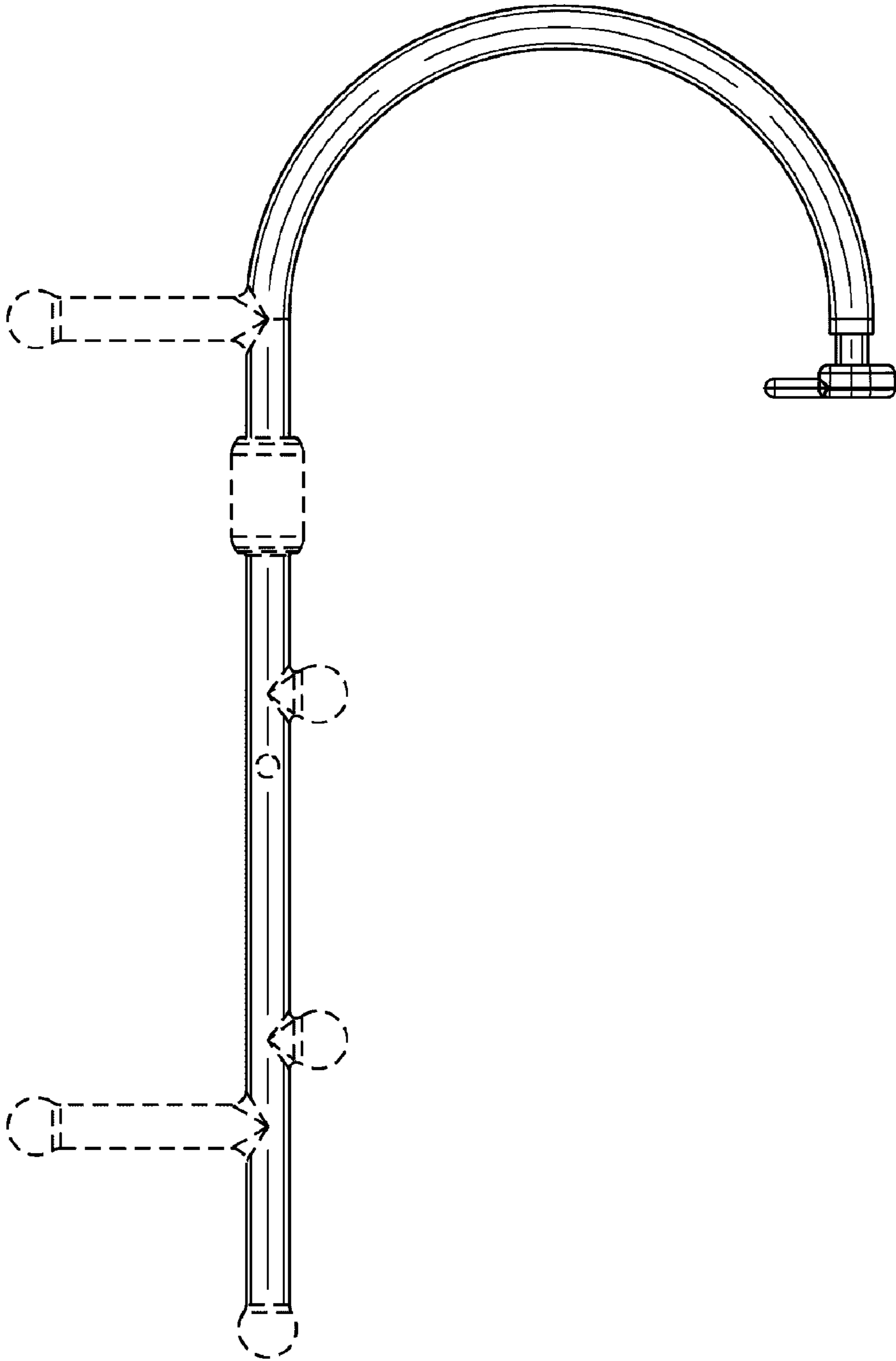


FIG. 4

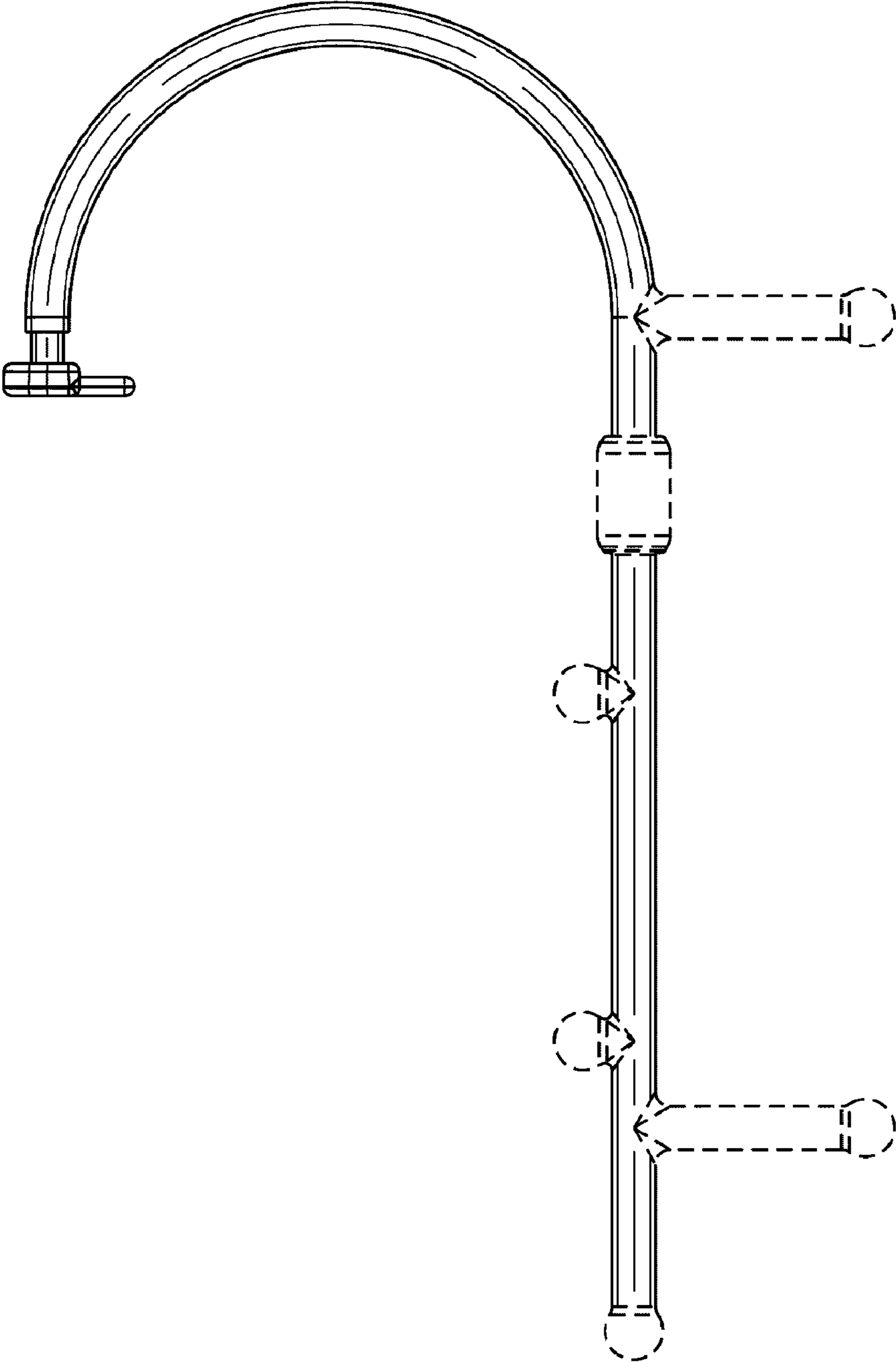


FIG. 5

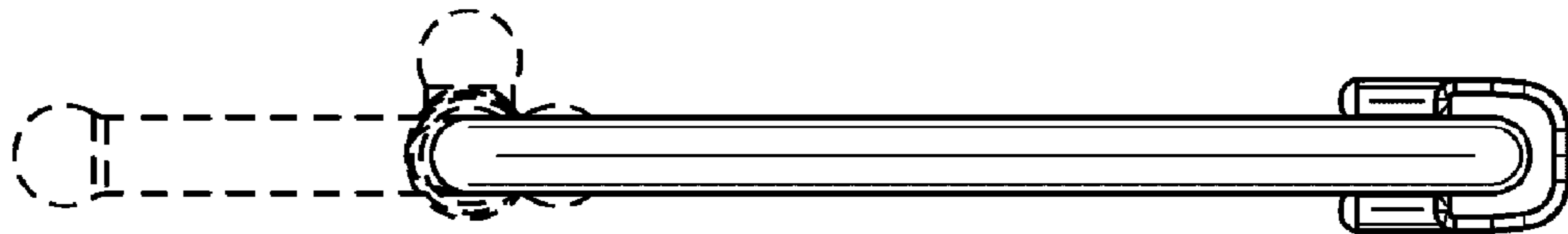


FIG. 6



FIG. 7

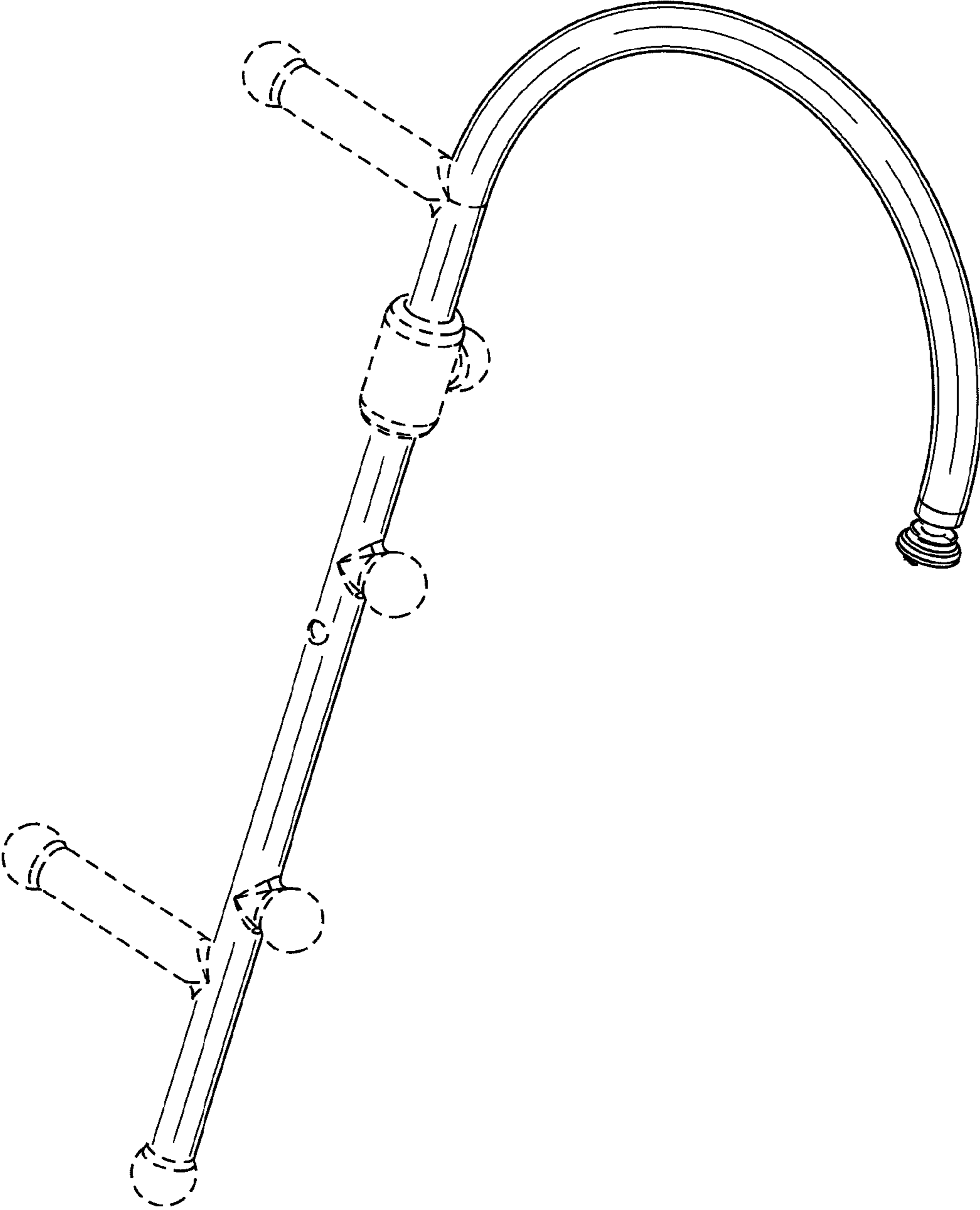


FIG. 8

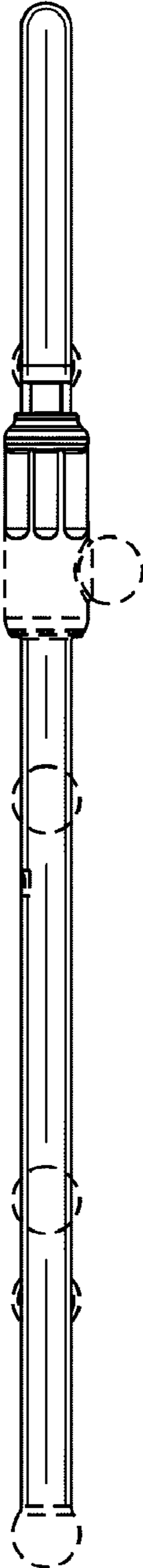


FIG. 9

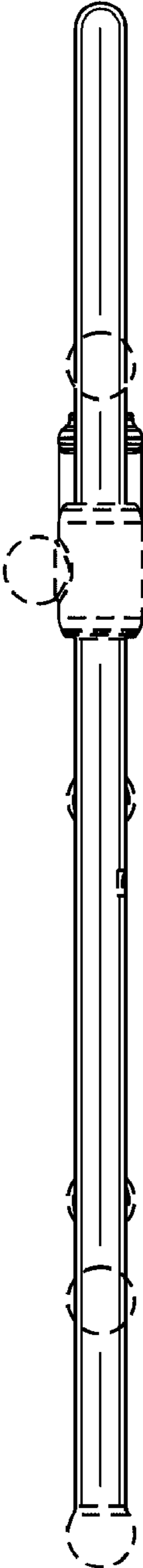


FIG. 10

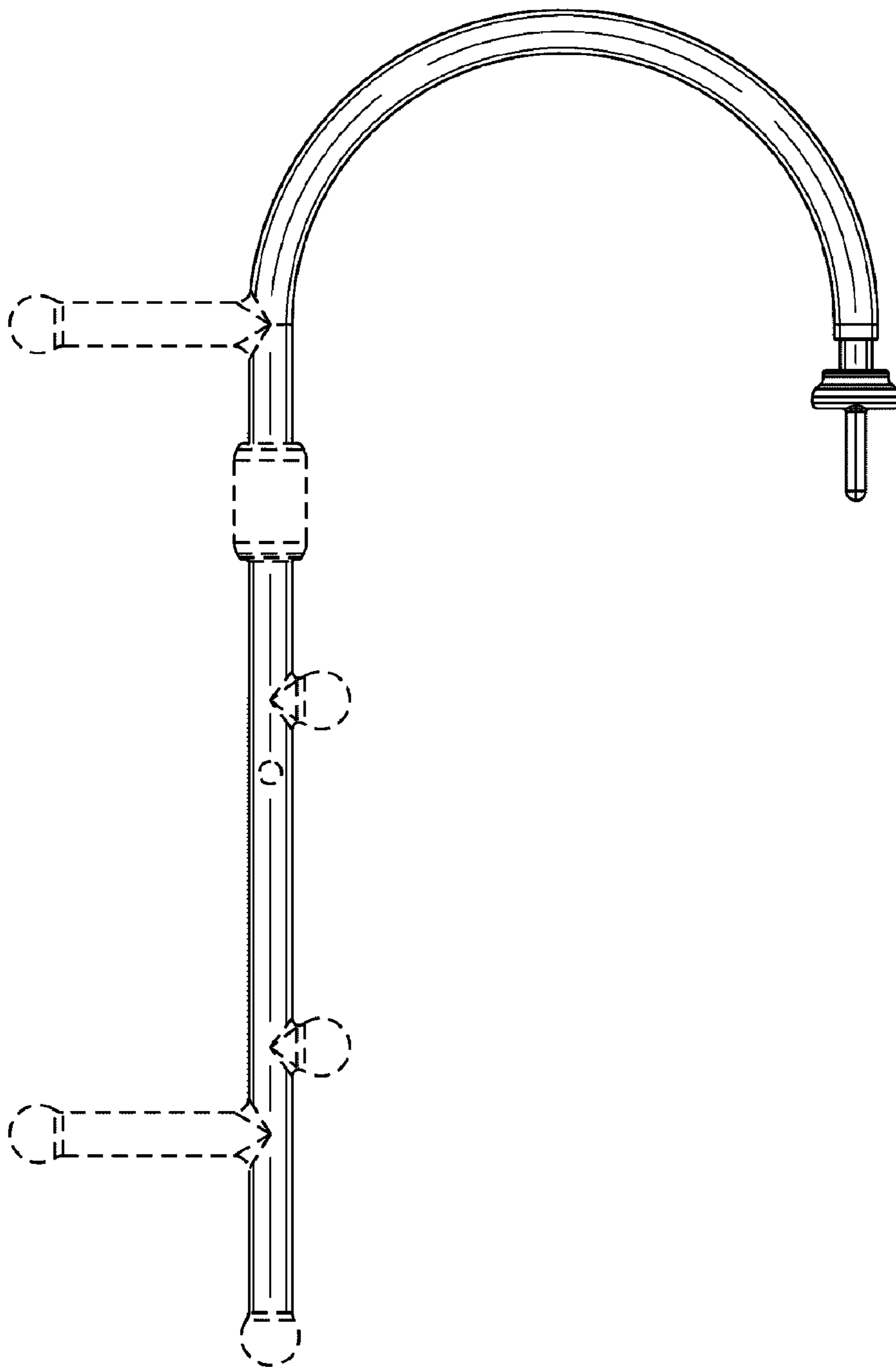


FIG. 11

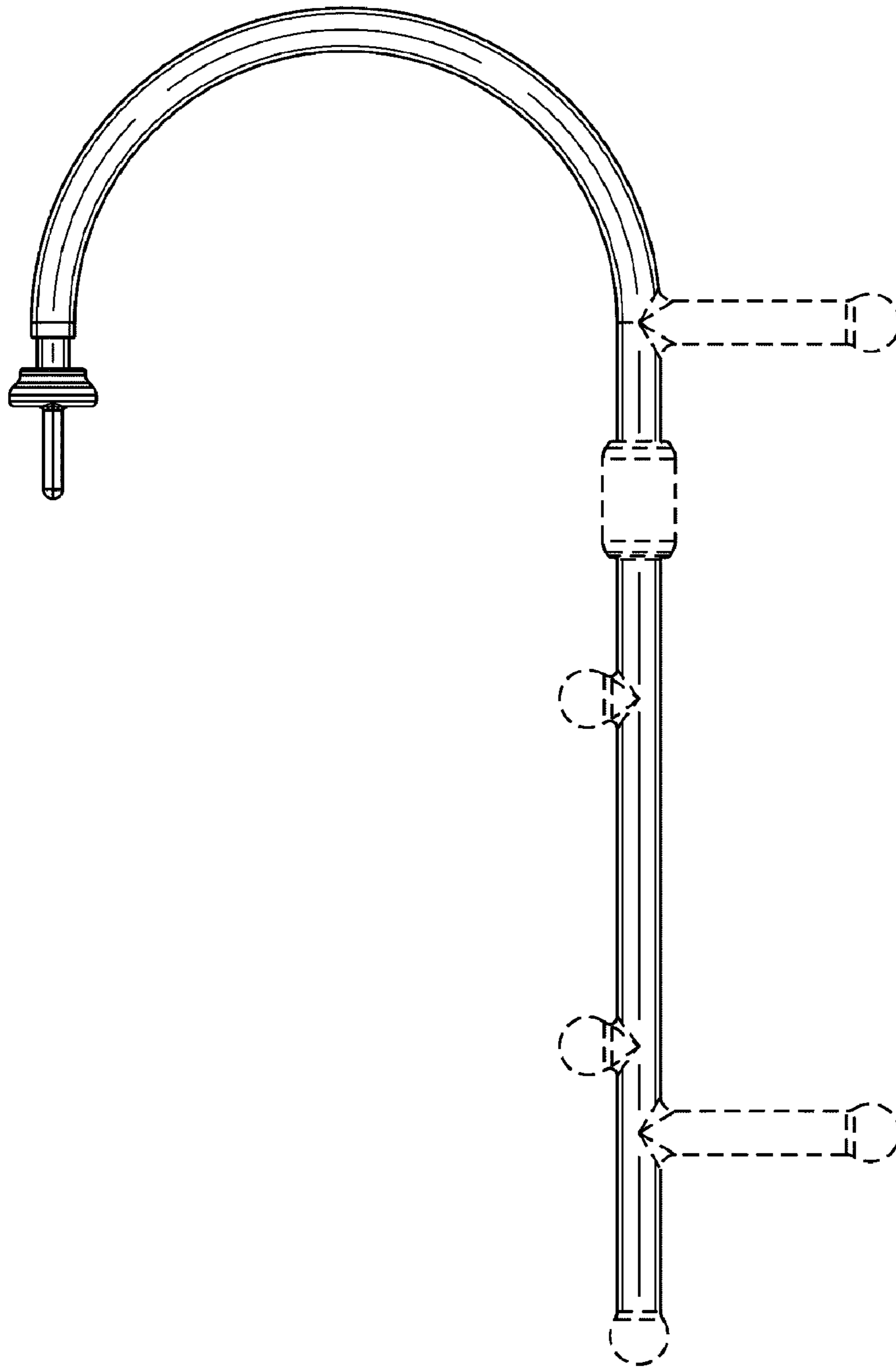


FIG. 12

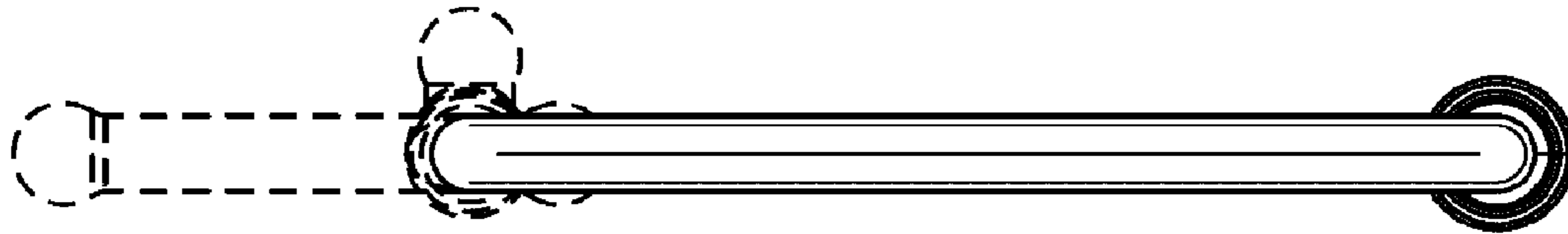


FIG. 13

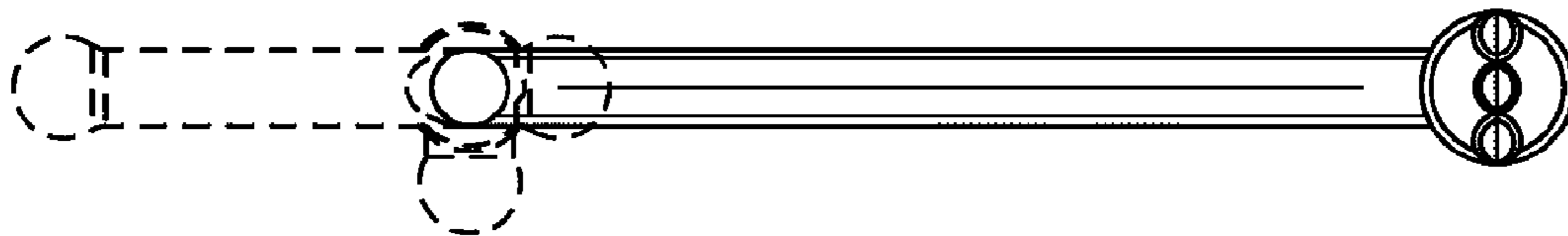


FIG. 14

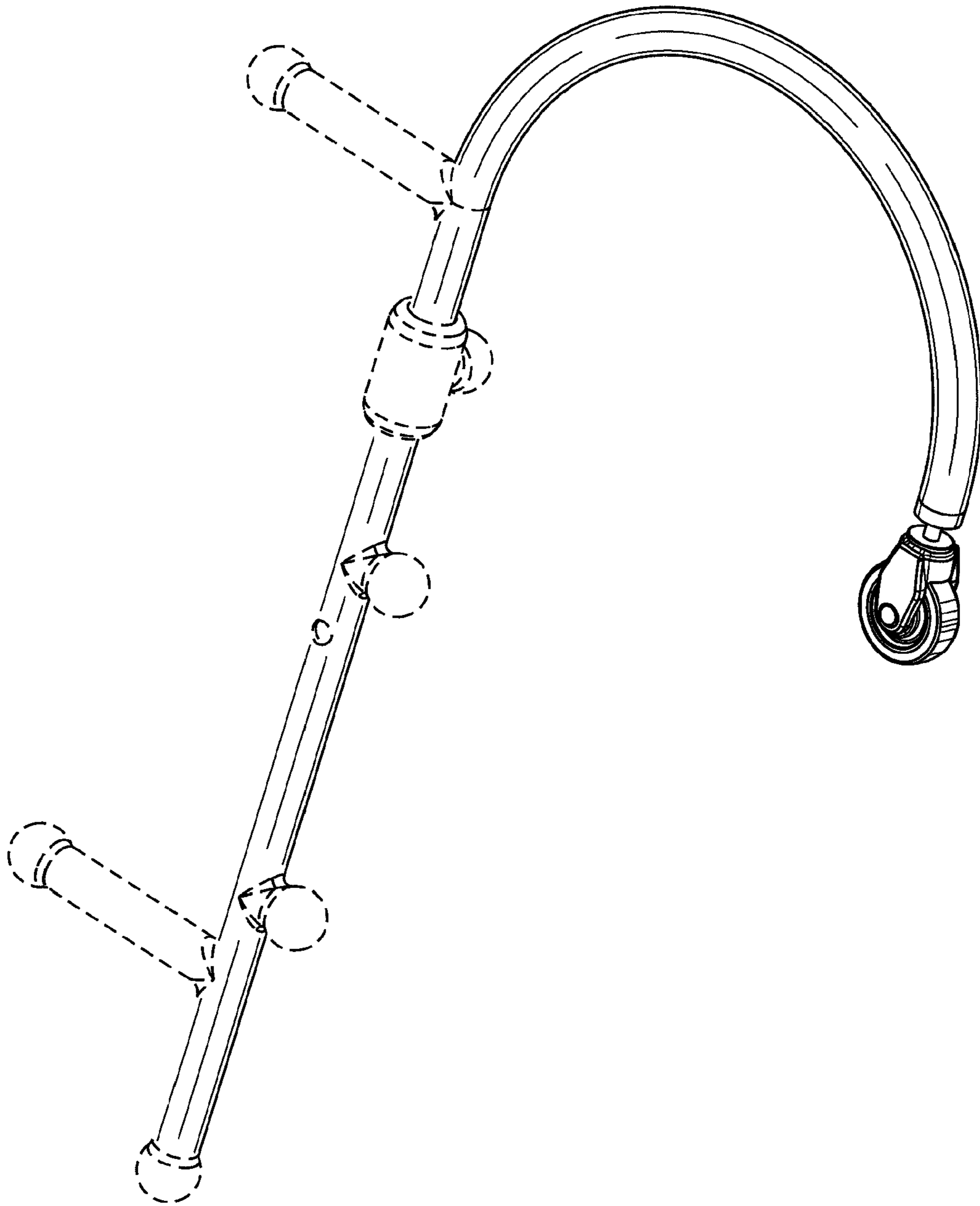


FIG. 15

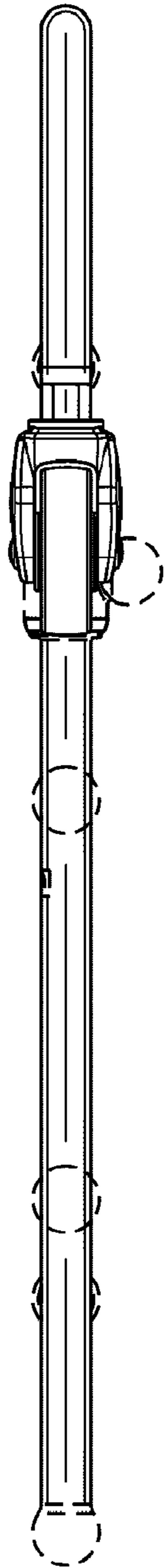


FIG. 16

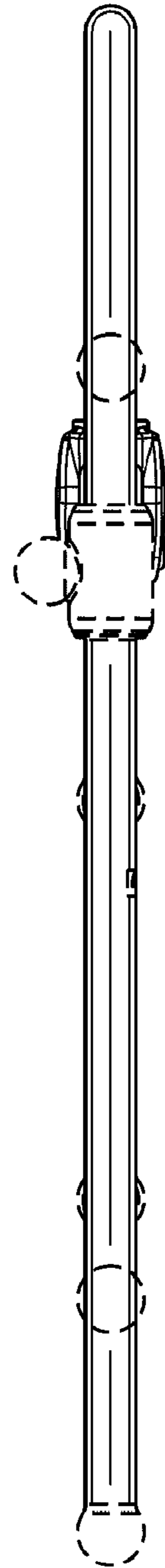


FIG. 17

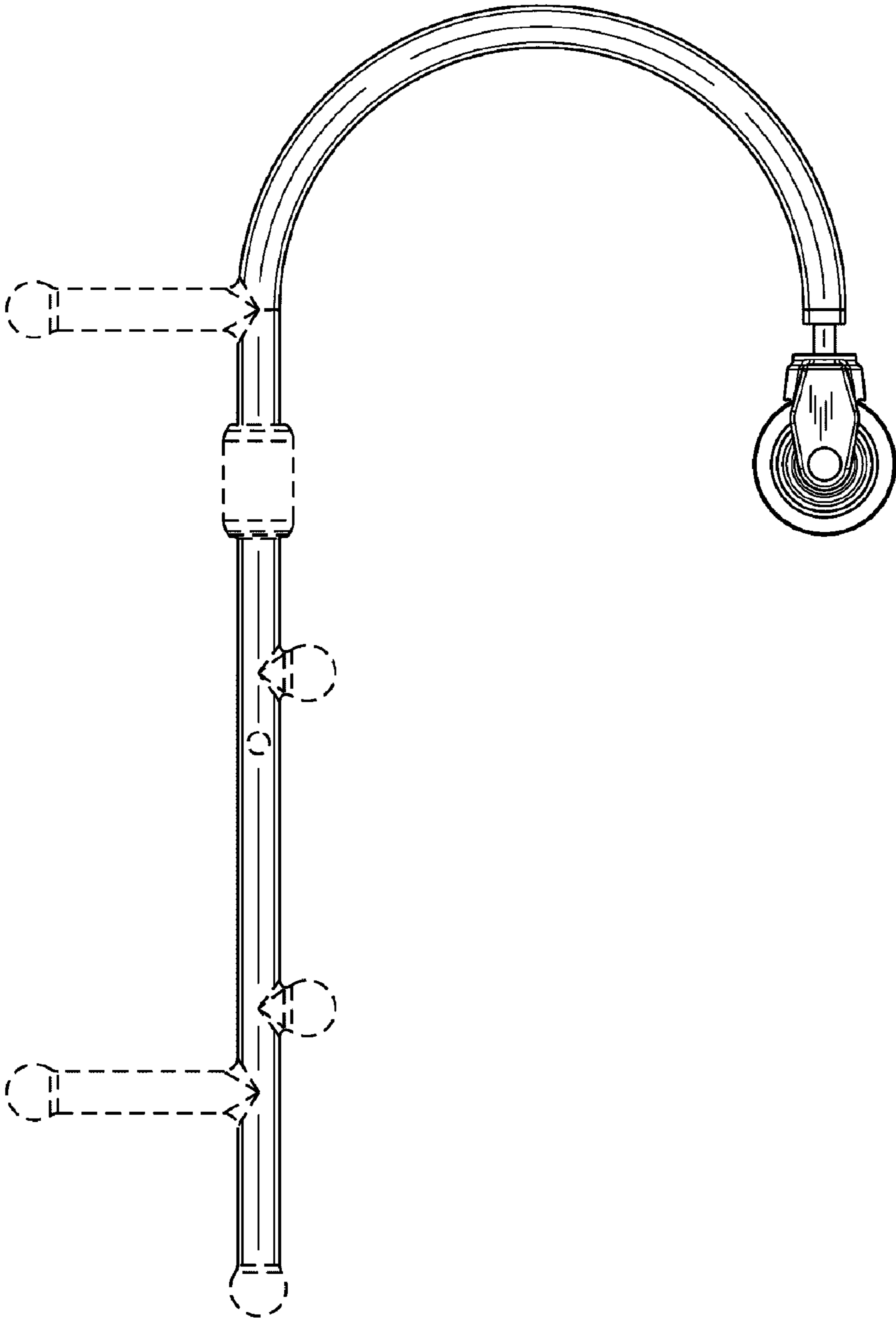


FIG. 18

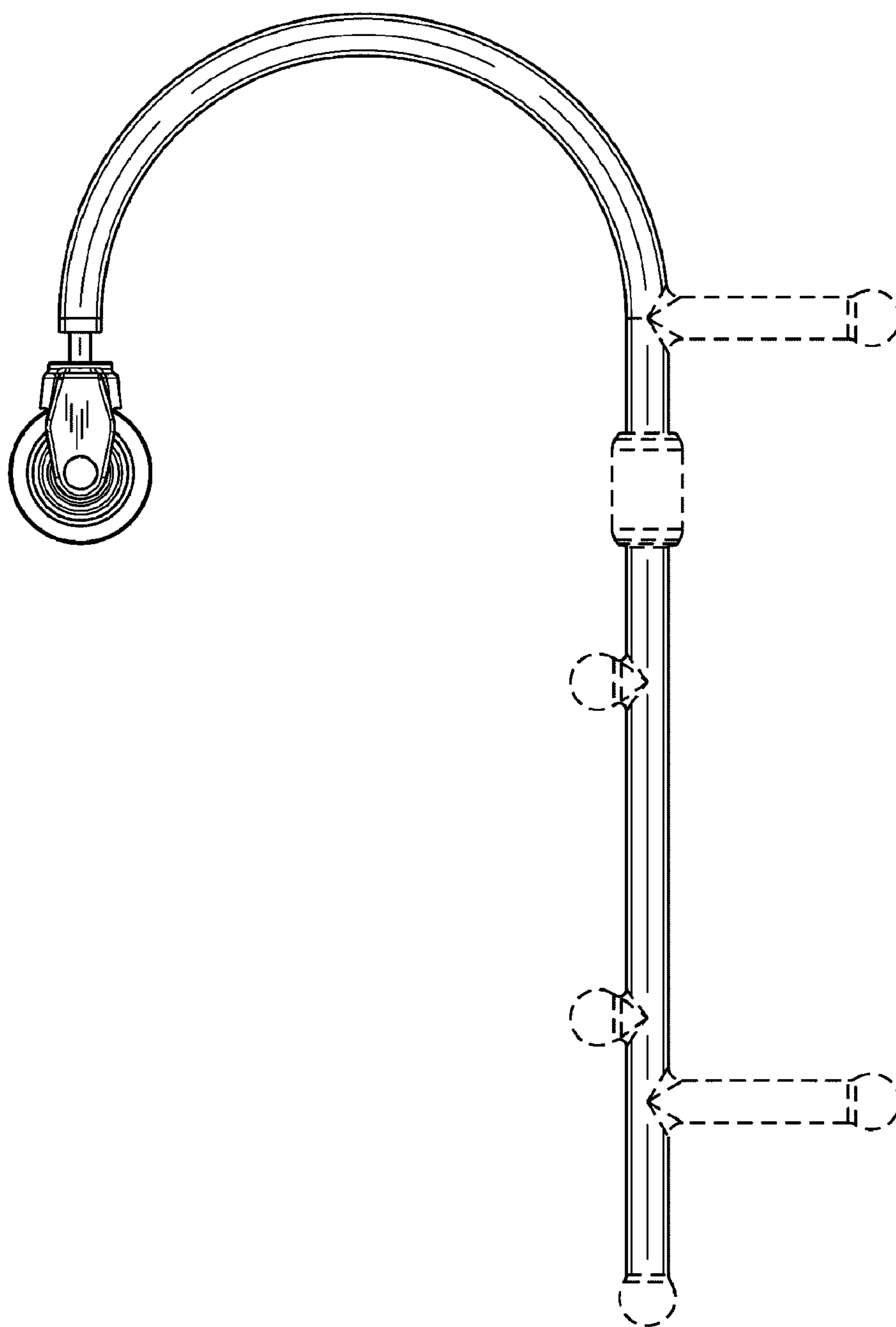


FIG. 19

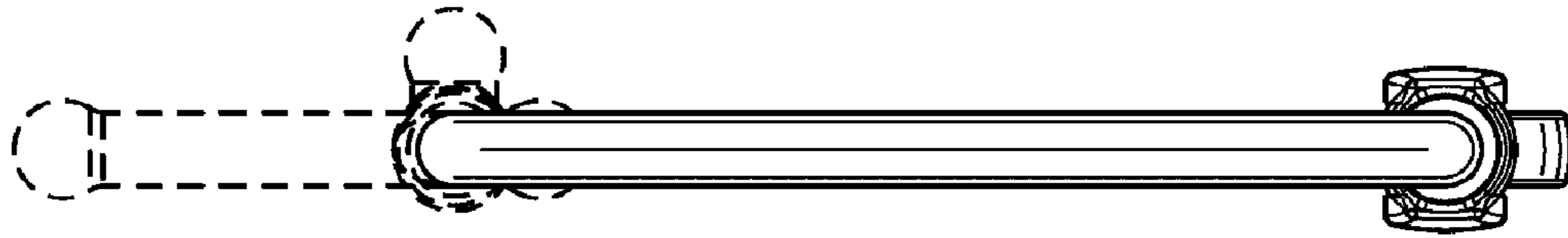


FIG. 20

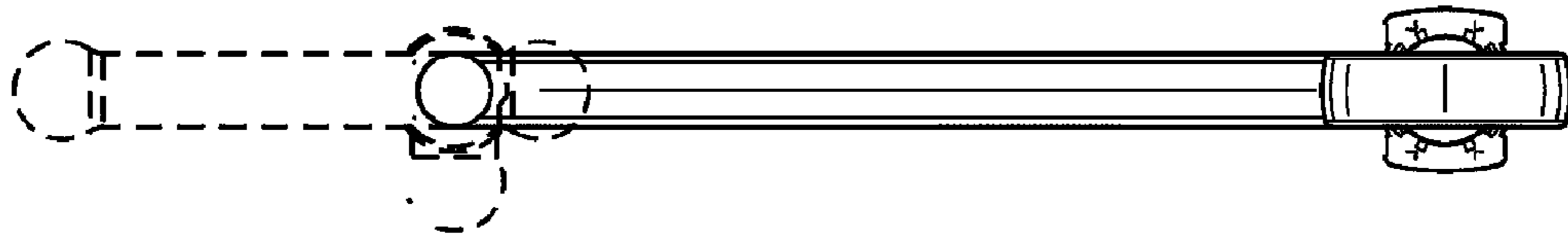


FIG. 21

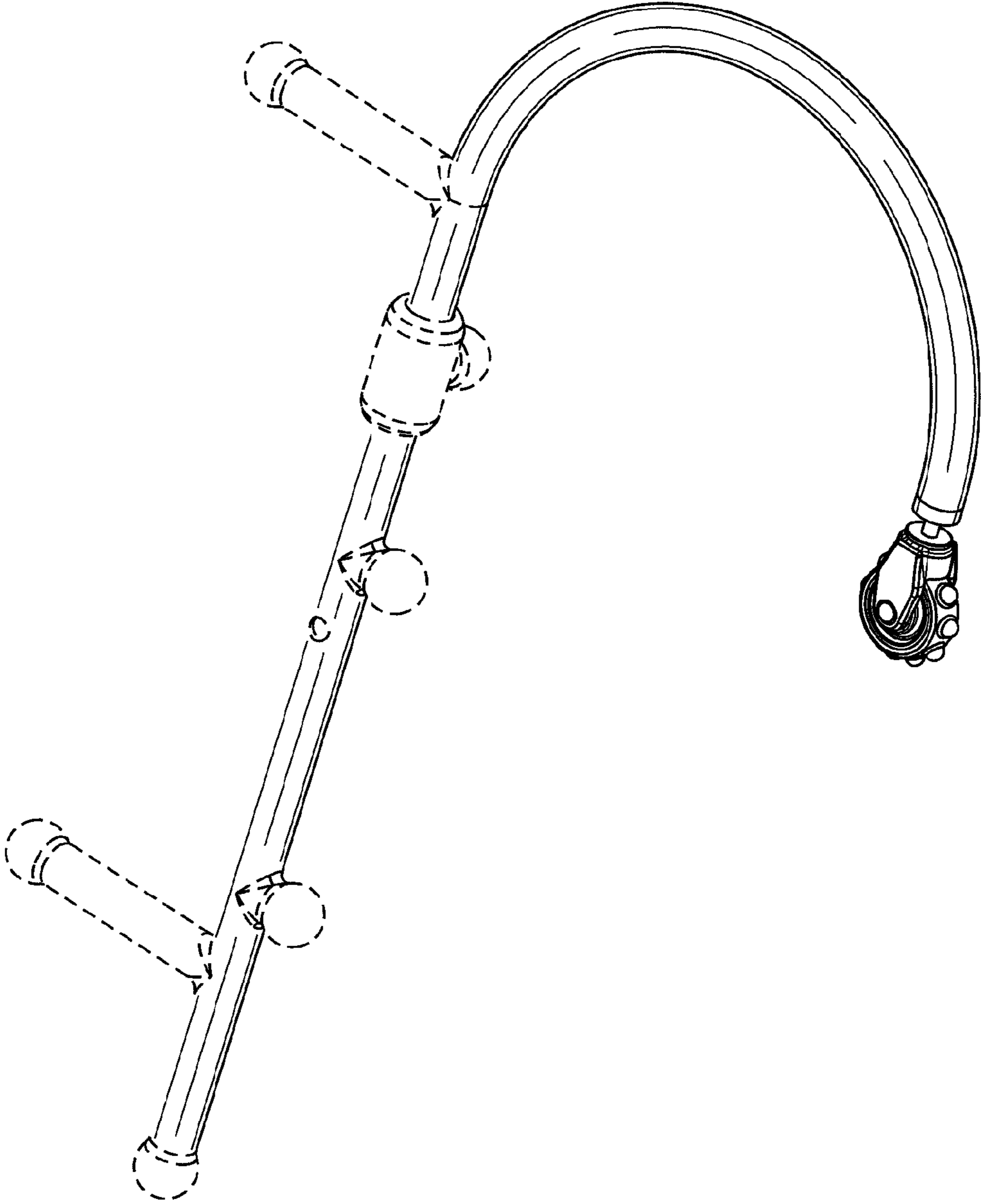


FIG. 22

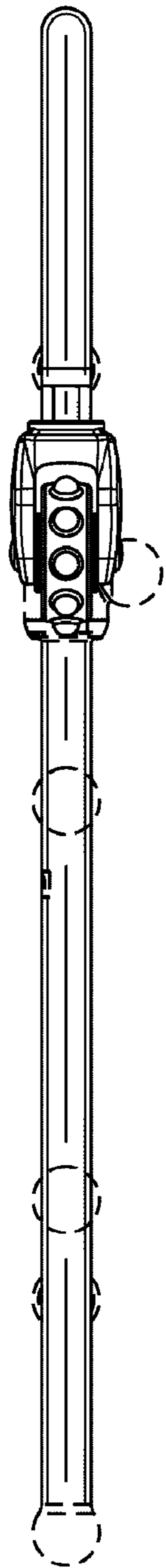


FIG. 23

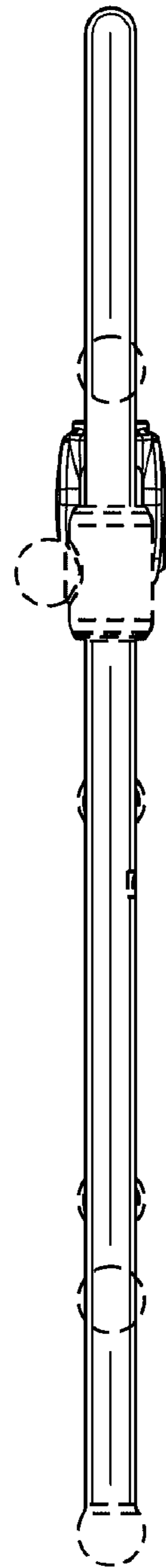


FIG. 24

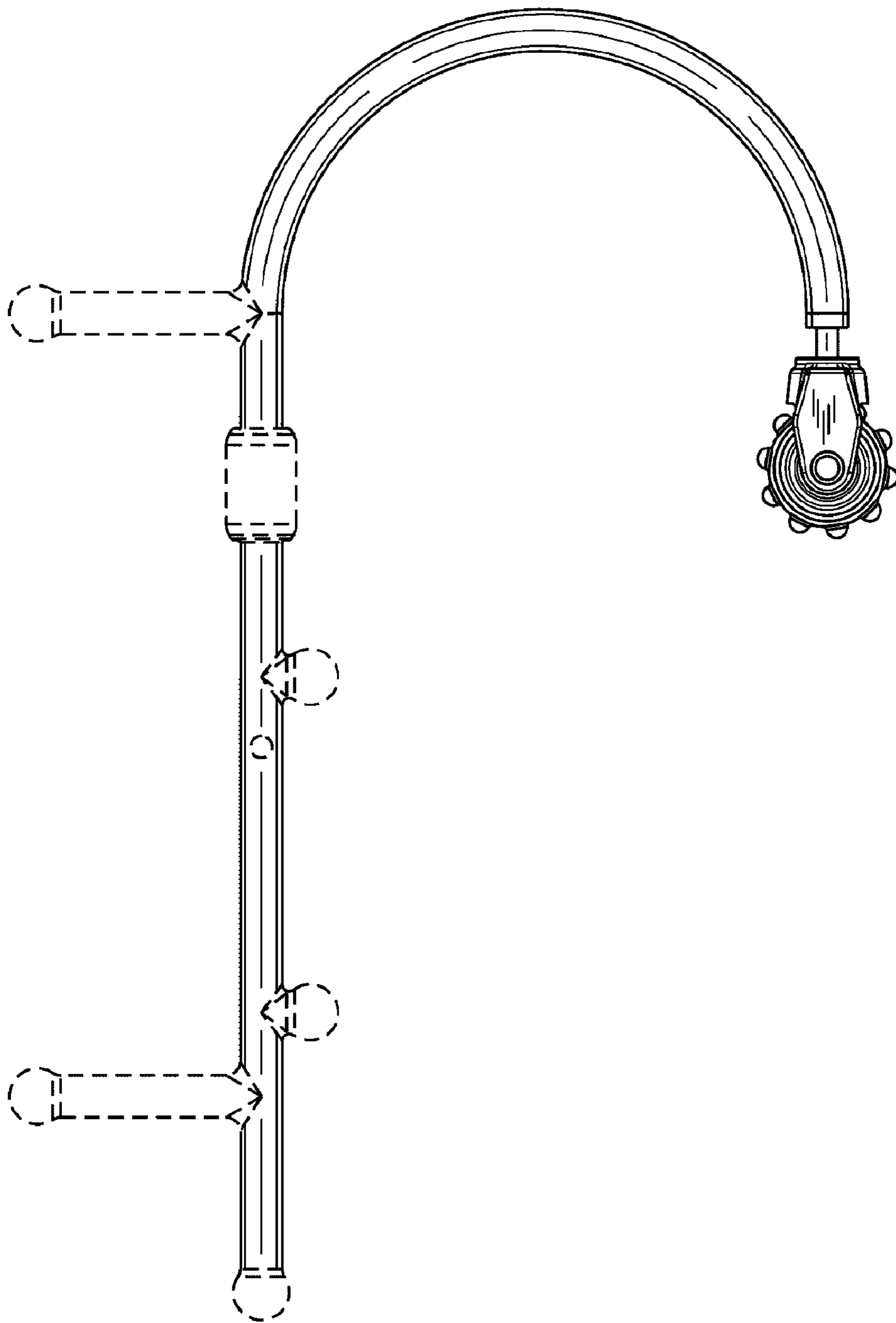


FIG. 25

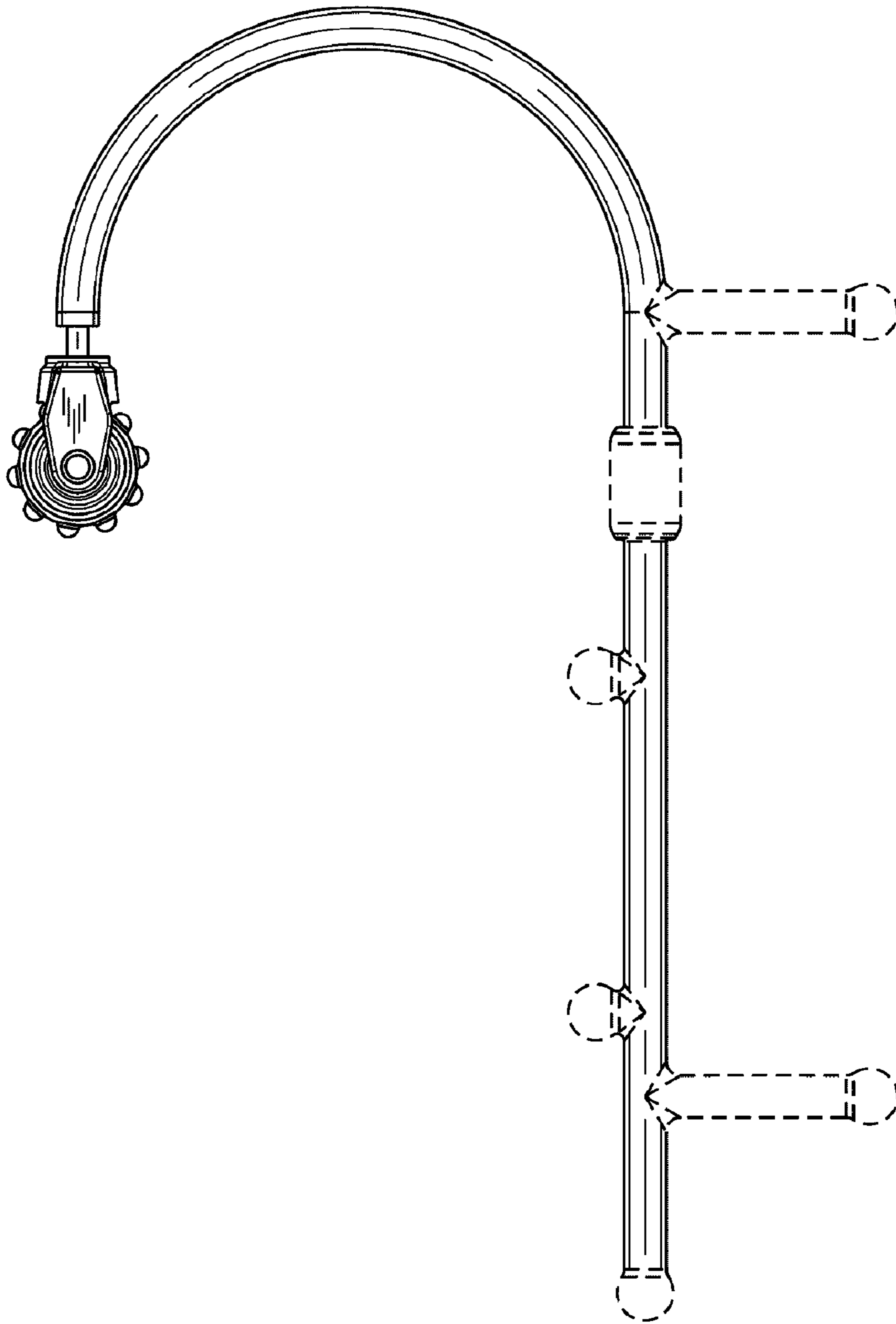


FIG. 26

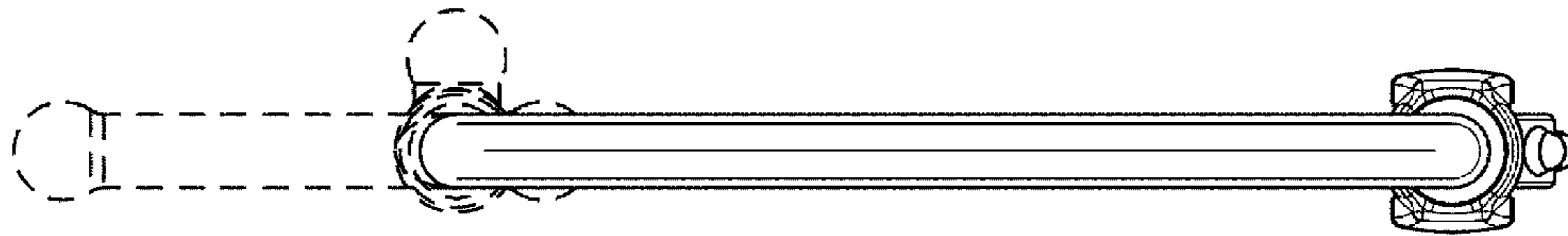


FIG. 27

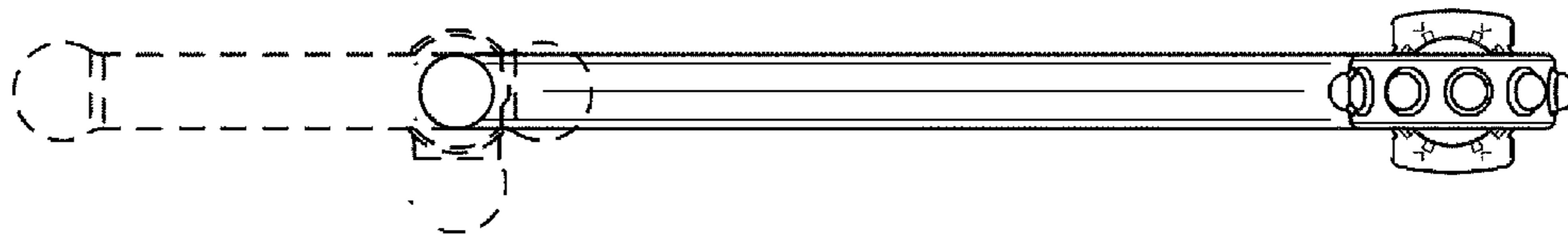


FIG. 28