



US00D646792S

(12) **United States Design Patent**
Pope

(10) **Patent No.:** **US D646,792 S**

(45) **Date of Patent:** **** Oct. 11, 2011**

(54) **GRASPABLE TEETHING RING**

(76) Inventor: **Eliza M. Pope**, Wildwood, MO (US)

(**) Term: **14 Years**

(21) Appl. No.: **29/369,203**

(22) Filed: **Sep. 3, 2010**

(51) **LOC (9) Cl.** **24-04**

(52) **U.S. Cl.** **D24/194**

(58) **Field of Classification Search** D24/193-196,
D24/199; 606/234-236; 215/11.1-11.6
See application file for complete search history.

(56) **References Cited**

U.S. PATENT DOCUMENTS

D33,212 S *	9/1900	Meinecke	D24/194
D47,419 S *	6/1915	Golden	D24/194
3,753,266 A *	8/1973	Ceniceros	15/110
5,211,656 A *	5/1993	Maddocks et al.	606/236
D336,520 S *	6/1993	McDaniel	D24/194

5,782,868 A *	7/1998	Moore et al.	606/235
D408,921 S *	4/1999	Wexler	D24/194
D411,303 S *	6/1999	Scagliotti	D24/194
6,063,107 A *	5/2000	Wexler	606/234
D430,300 S *	8/2000	Anthony, Jr.	D24/194
6,436,125 B1 *	8/2002	Rhoads	606/234
D544,604 S *	6/2007	Culhane	D24/171
7,311,721 B2 *	12/2007	Rosuck et al.	606/234

* cited by examiner

Primary Examiner — Susan E Krakower

(74) *Attorney, Agent, or Firm* — Charles McCluskey

(57) **CLAIM**

The ornamental design for a graspable teething ring, as shown.

DESCRIPTION

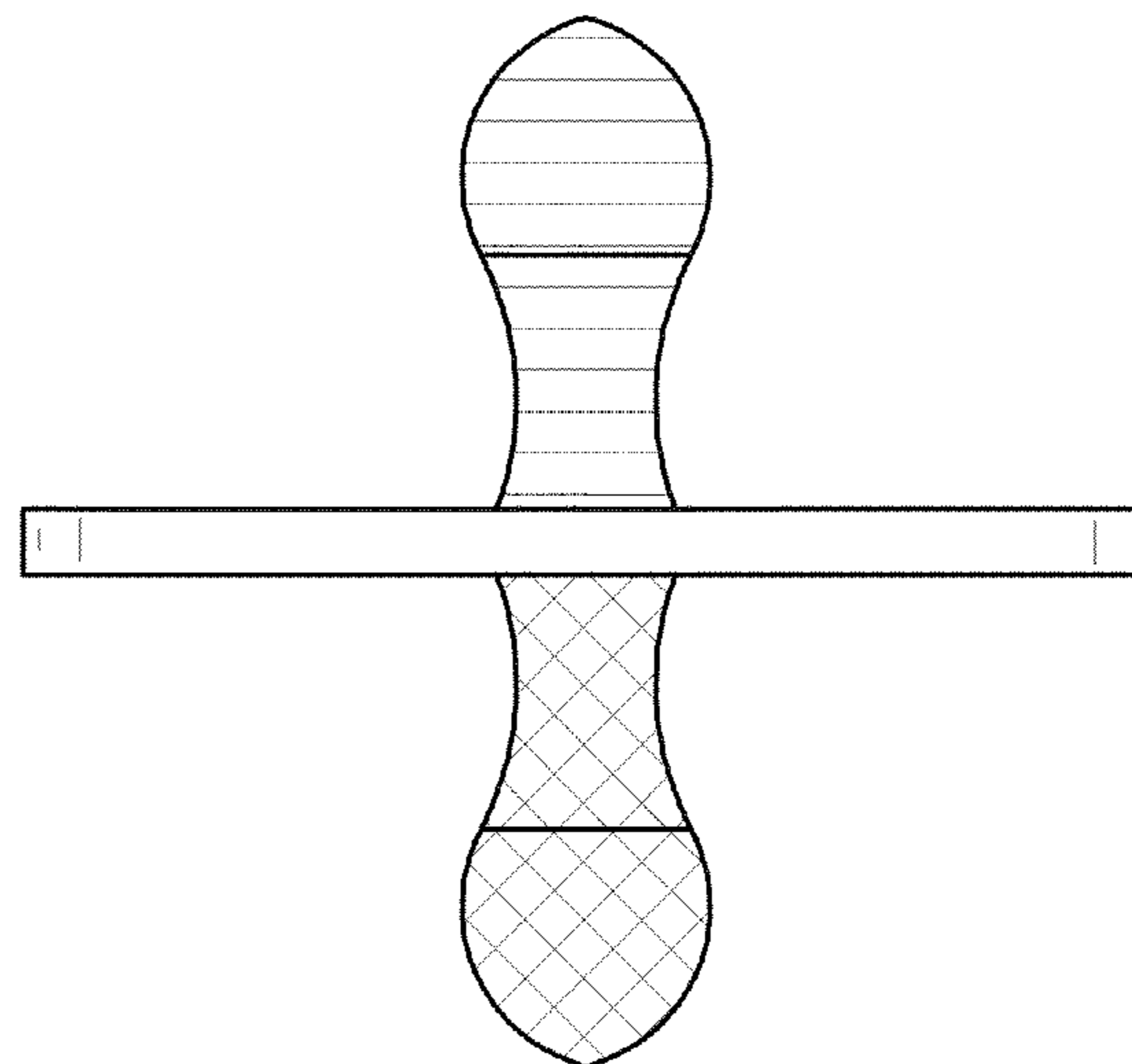
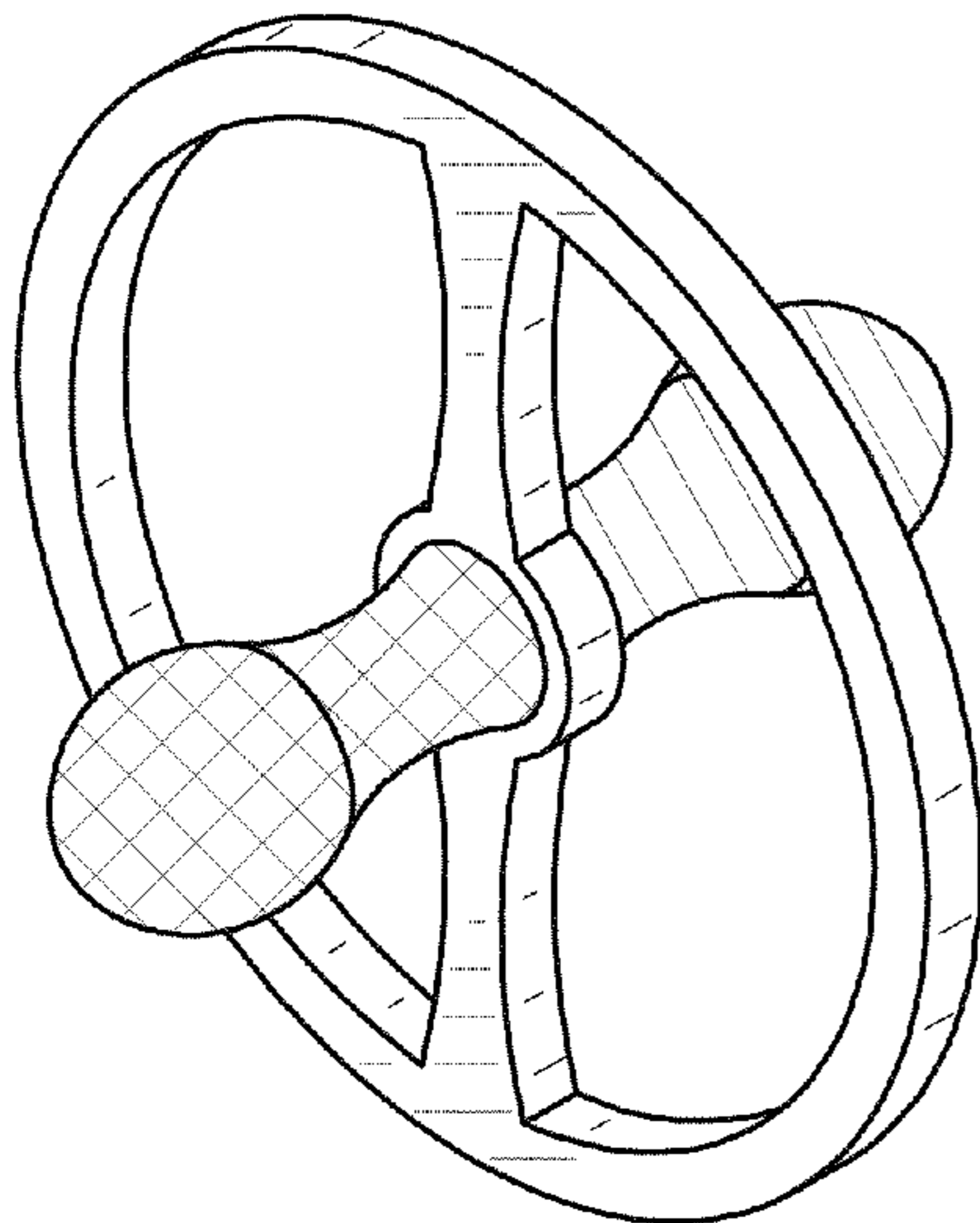
FIG. 1 is an isometric view;

FIG. 2 is a front view;

FIG. 3 is a side view; and,

FIG. 4 is a rear view.

1 Claim, 2 Drawing Sheets



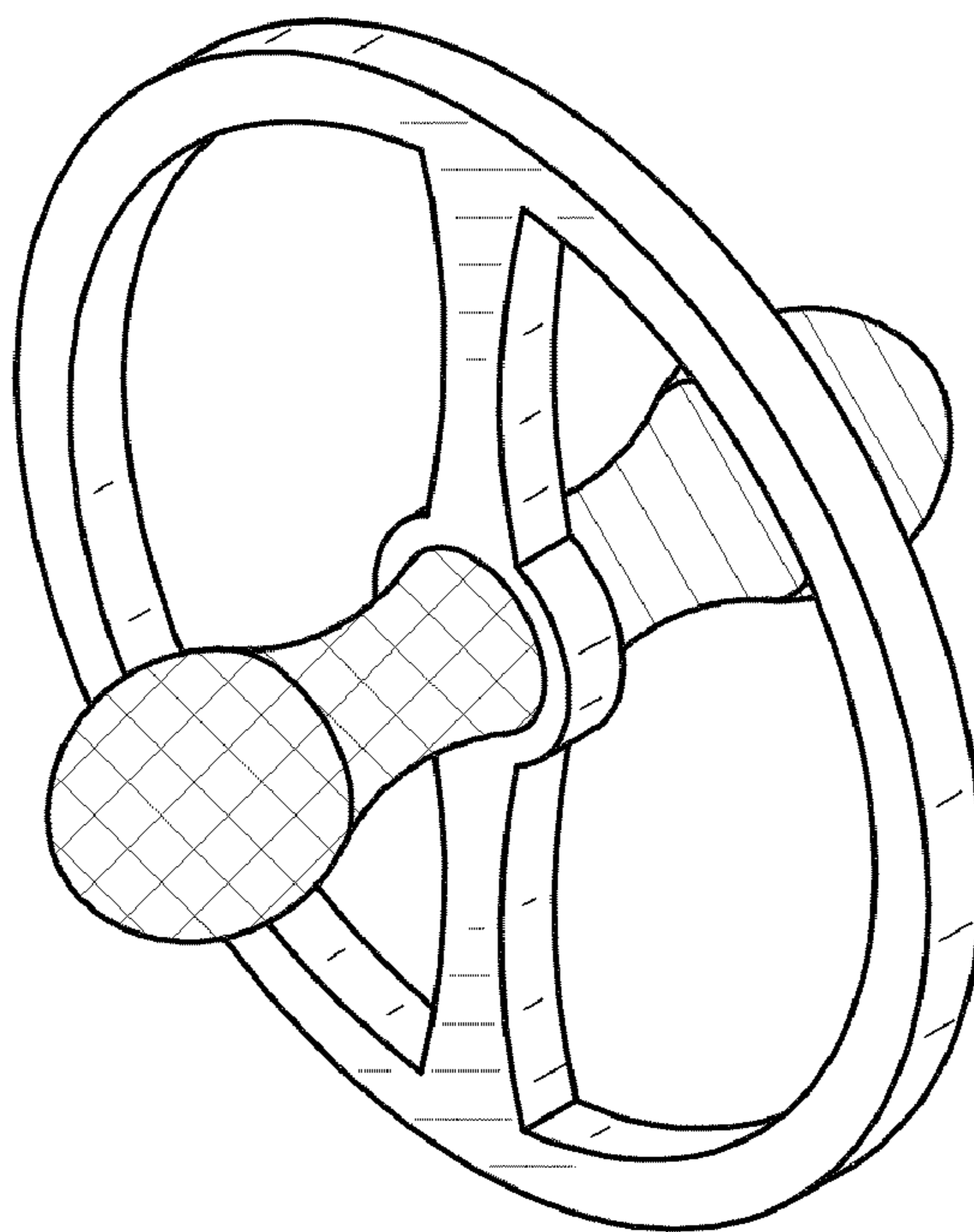


Fig. 1

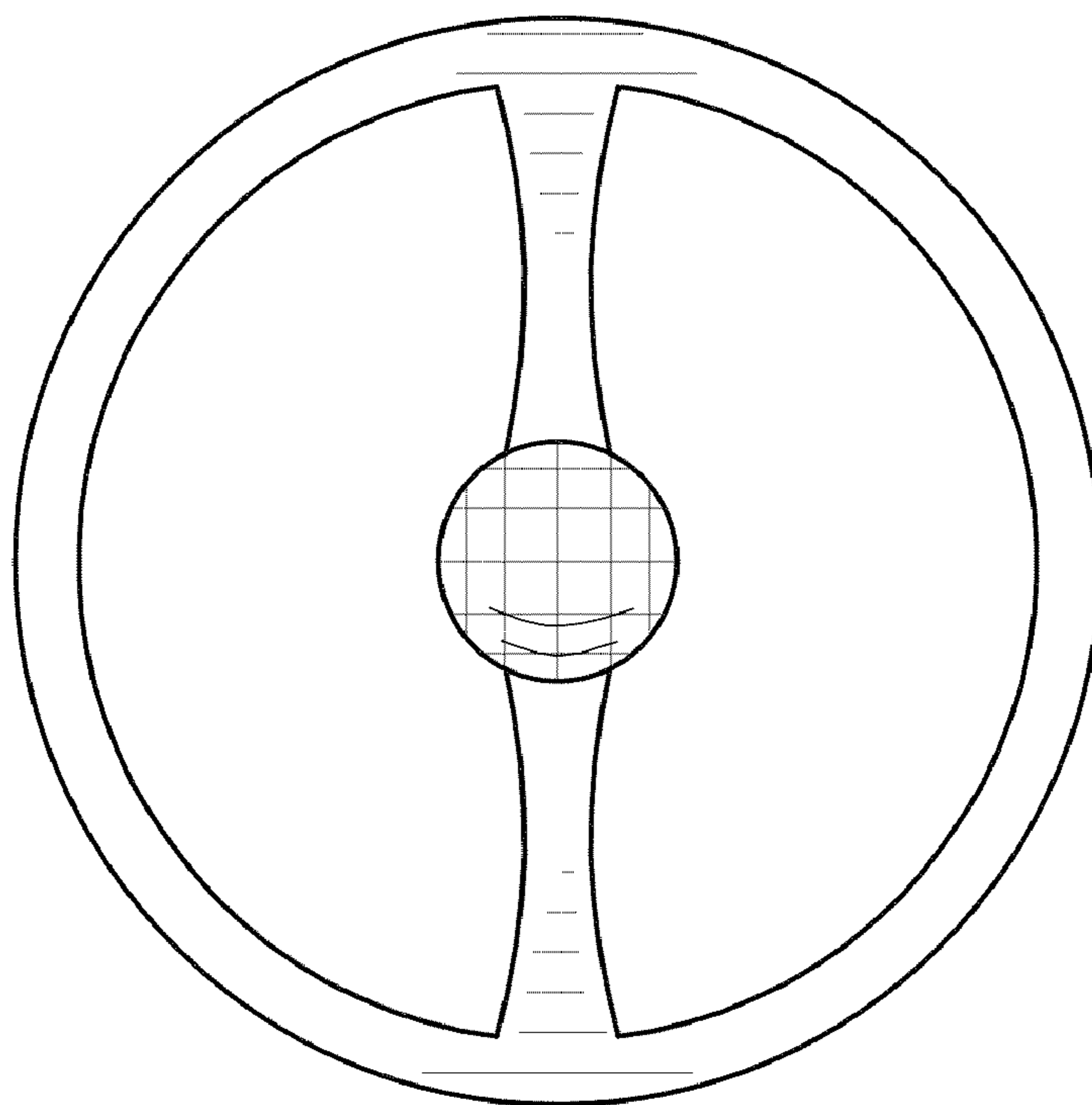


Fig. 2

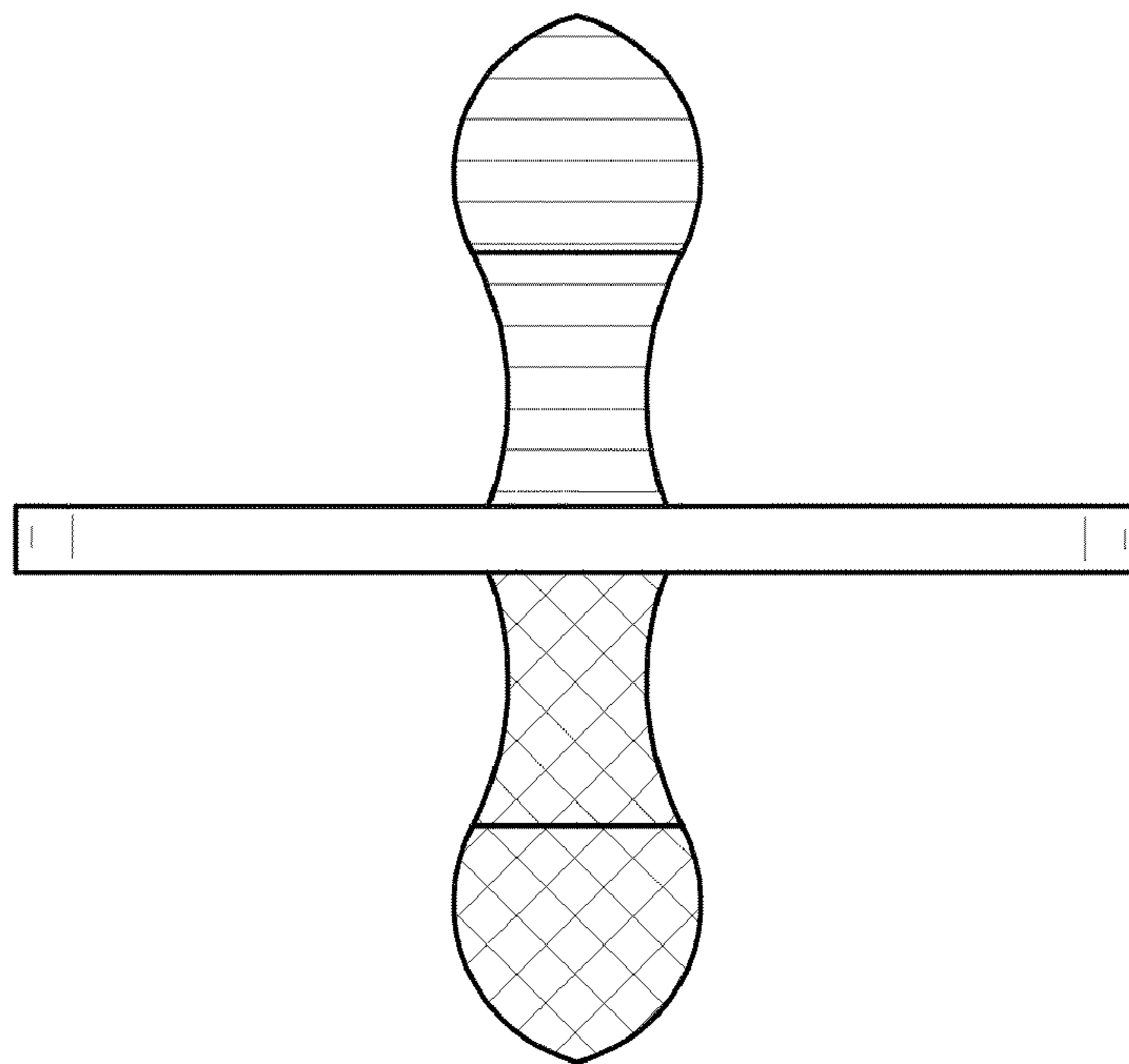


Fig. 3

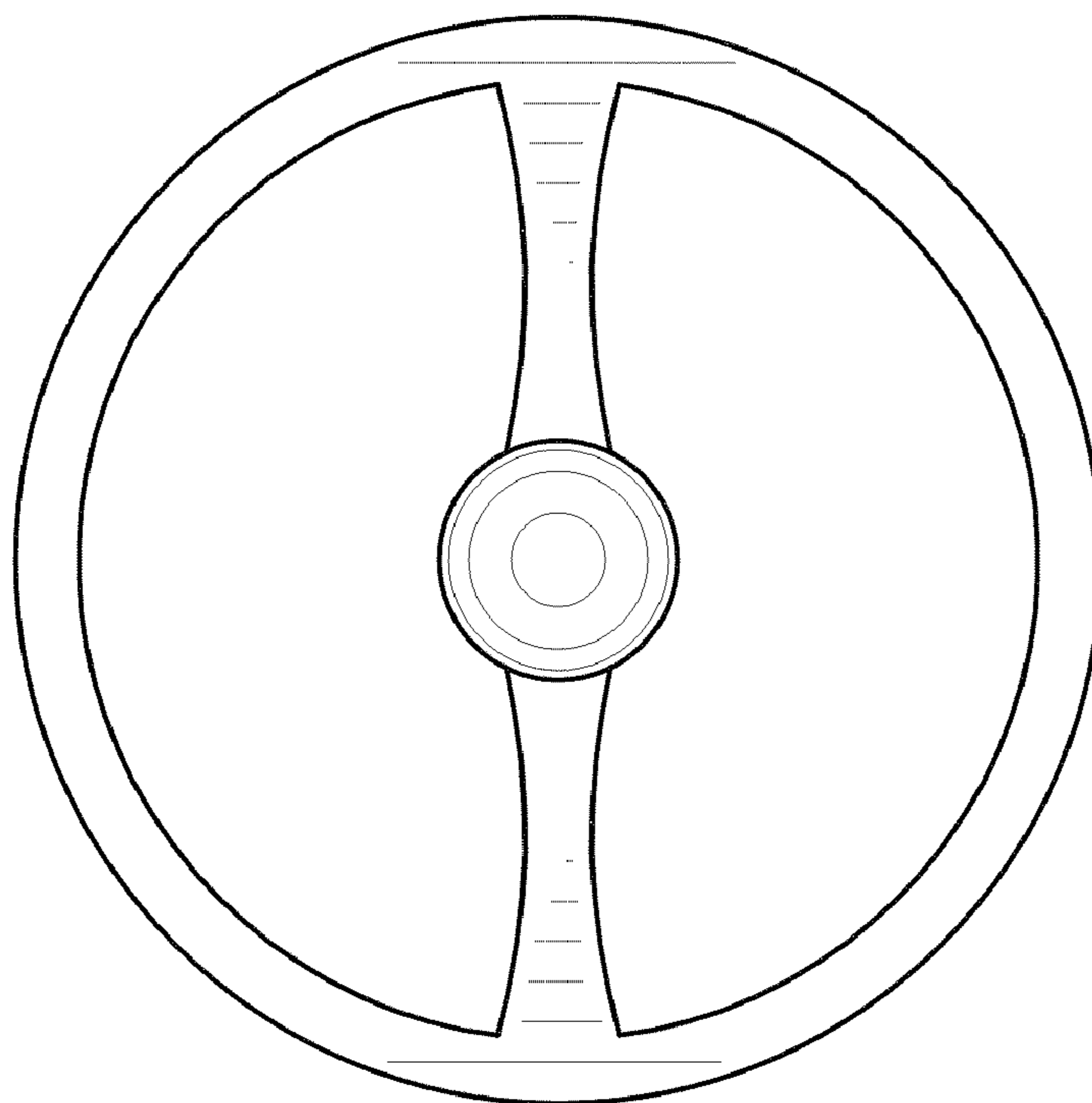


Fig. 4