



US00D646788S

(12) **United States Design Patent**
Dubs et al.

(10) **Patent No.:** **US D646,788 S**
(45) **Date of Patent:** **** Oct. 11, 2011**

(54) **HEARING AID**

(75) Inventors: **Basil Dubs**, Zurich (CH); **Christian Harbeke**, Zurich (CH)

(73) Assignee: **Phonak AG**, Stafa (CH)

(**) Term: **14 Years**

(21) Appl. No.: **29/368,782**

(22) Filed: **Aug. 30, 2010**

(51) **LOC (9) Cl.** **24-99**

(52) **U.S. Cl.** **D24/174**

(58) **Field of Classification Search** D24/173–175,
D24/151; D14/205, 223, 224, 249; 381/23.1,
381/312, 322–324, 328–330
See application file for complete search history.

(56) **References Cited**

U.S. PATENT DOCUMENTS

5,802,183	A *	9/1998	Scheller et al.	381/322
D516,216	S *	2/2006	Portmann	D24/174
D530,819	S *	10/2006	Jurkiewicz et al.	D24/174
D532,111	S *	11/2006	Espersen	D24/174
D546,455	S *	7/2007	Darbut et al.	D24/174
D572,823	S *	7/2008	Niccolai et al.	D24/174
D575,872	S *	8/2008	Pedersen	D24/174
D611,607	S *	3/2010	Mori et al.	D24/174
2009/0042426	A1 *	2/2009	Kramer	381/312

FOREIGN PATENT DOCUMENTS

WO	DM/071755	10/2009
WO	DM/072002	12/2009
WO	DM/072071	12/2009
WO	DM/073725	9/2010

* cited by examiner

Primary Examiner — Anhdao Doan

(74) *Attorney, Agent, or Firm* — Rankin, Hill & Clark LLP

(57) **CLAIM**

The ornamental design for a hearing aid, as shown and described.

DESCRIPTION

FIG. 1 is a perspective view of a hearing aid embodying our design;

FIG. 2 is a right side view of the hearing aid device shown in FIG. 1;

FIG. 3 is a left side view of hearing aid device shown in FIG. 1;

FIG. 4 is a front view of the hearing aid device shown in FIG. 1;

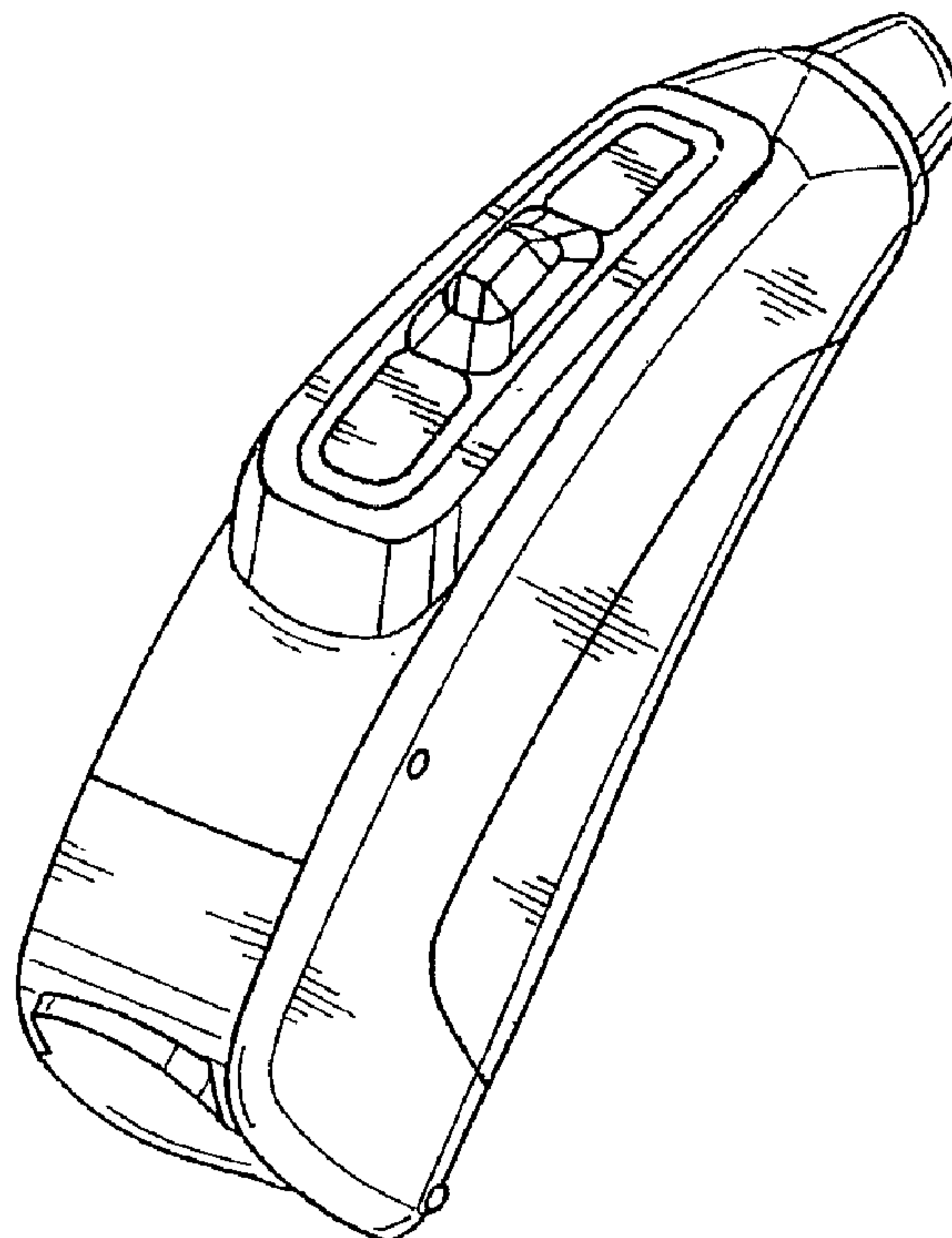
FIG. 5 is a rear view of the hearing aid device shown in FIG. 1;

FIG. 6 is a top view of the hearing aid device shown in FIG. 1; and,

FIG. 7 is a bottom view of the hearing aid device shown in FIG. 1.

The broken lines in FIG. 5 are included for the purpose of illustrating portions of the hearing aid that form no part of the claimed design.

1 Claim, 3 Drawing Sheets



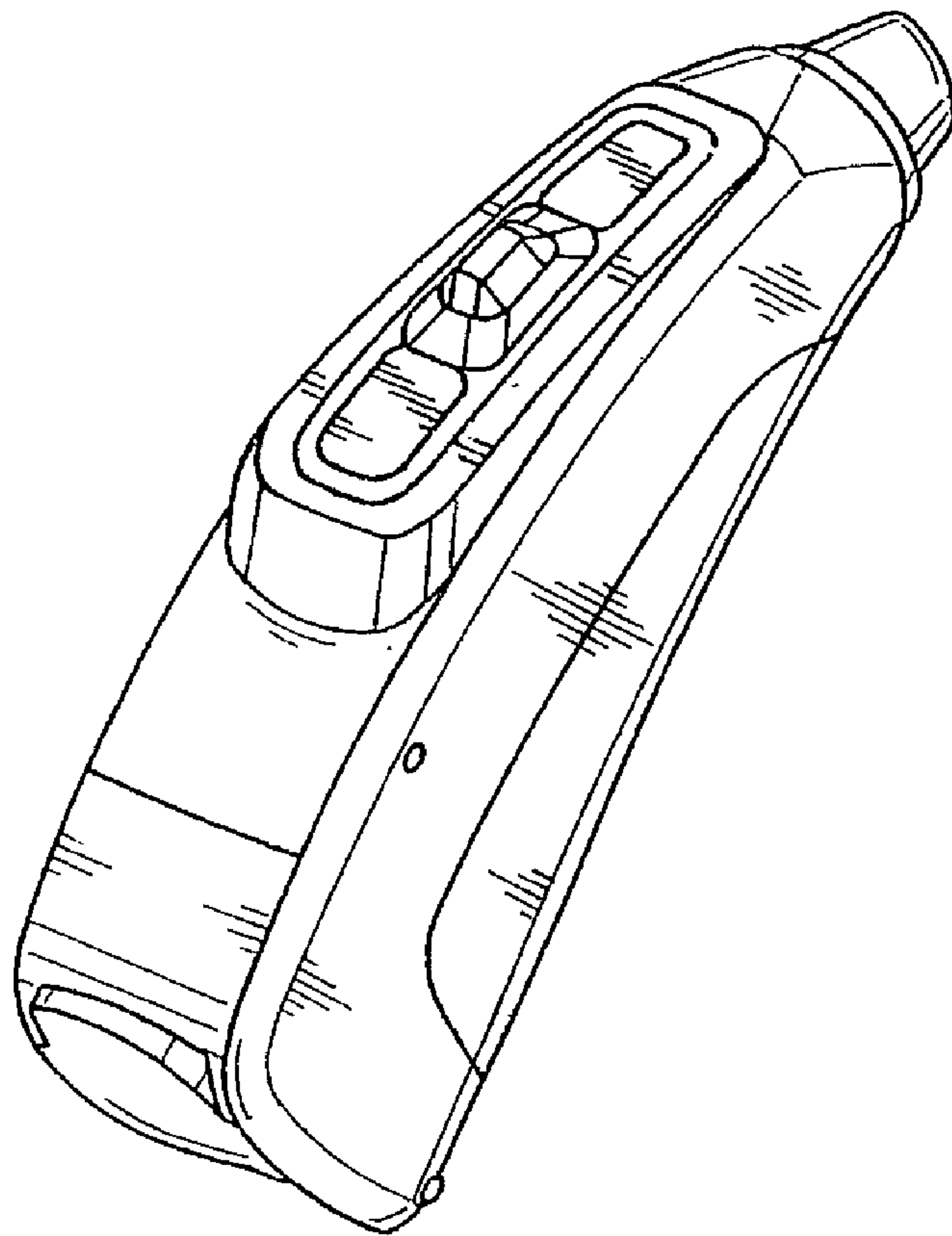


FIG. 1

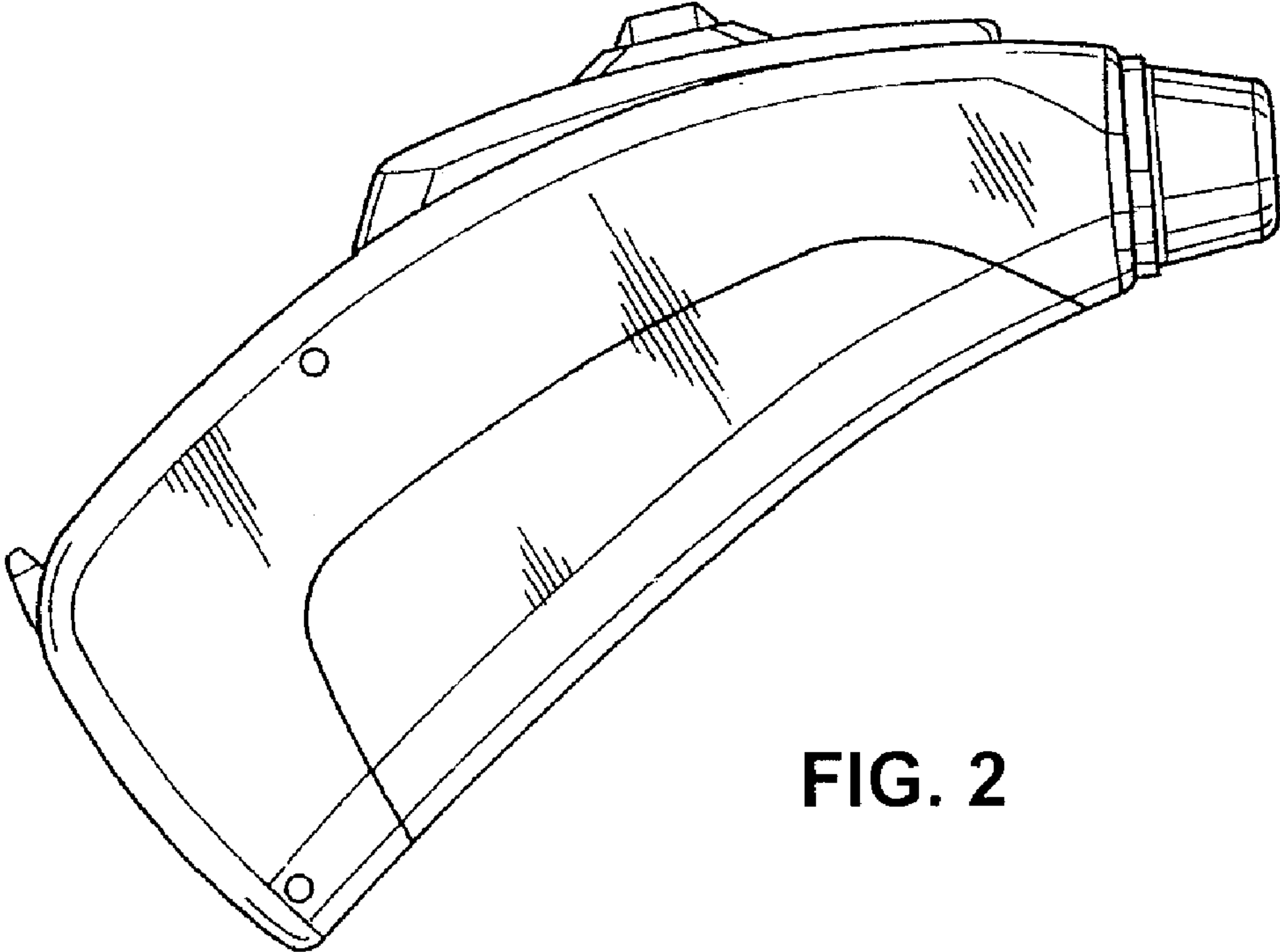


FIG. 2

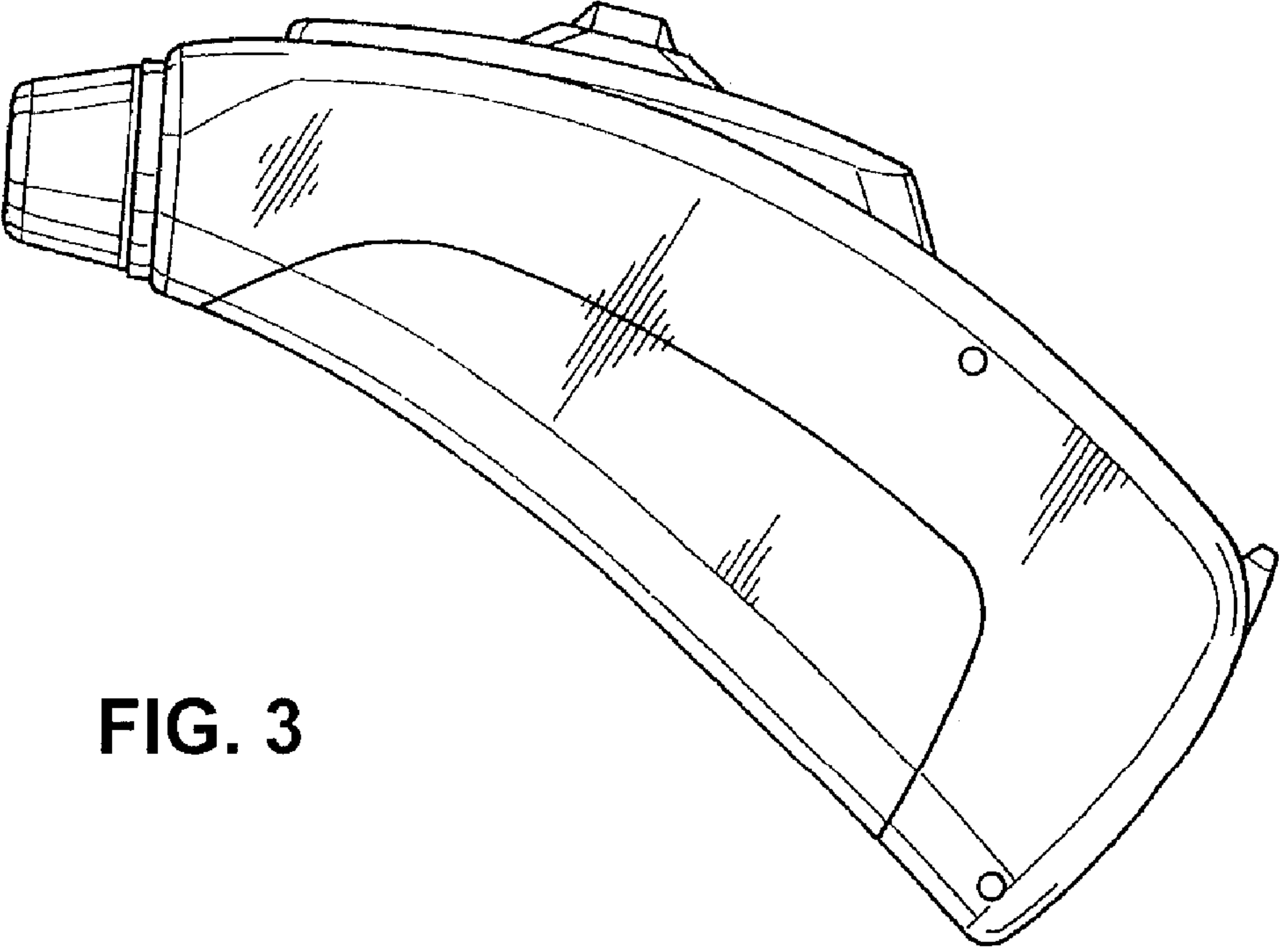


FIG. 3

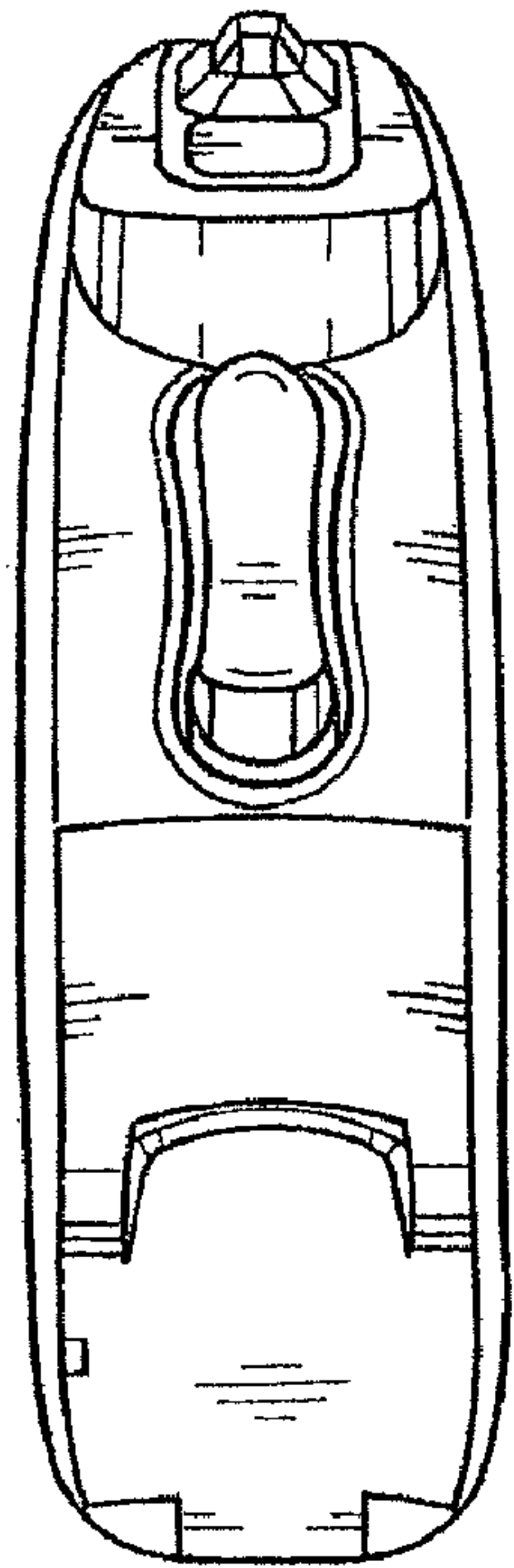


FIG. 4

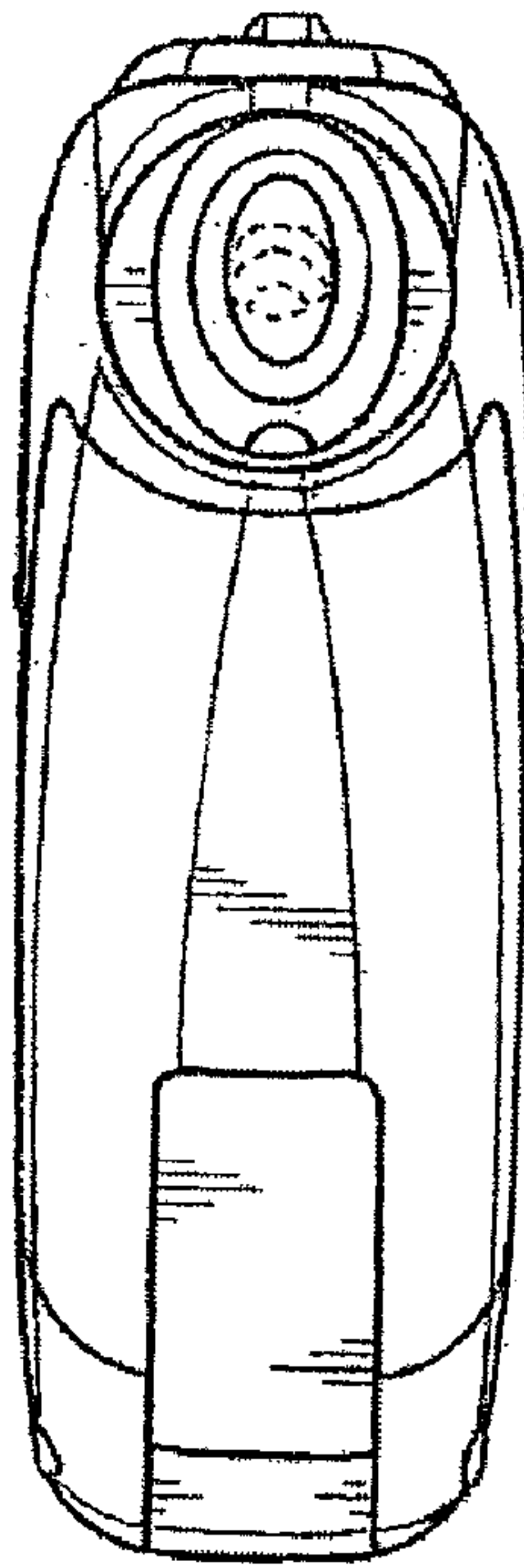


FIG. 5

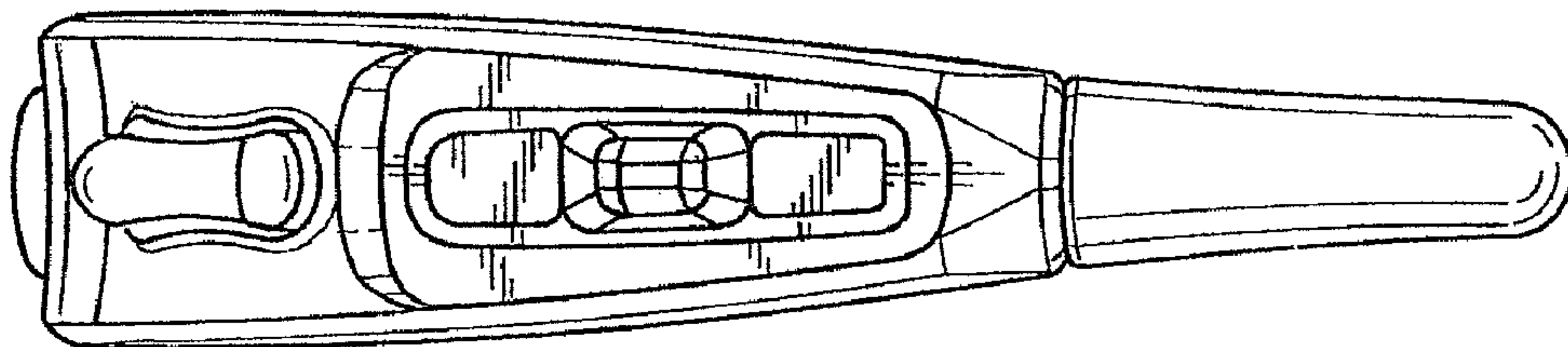


FIG. 6

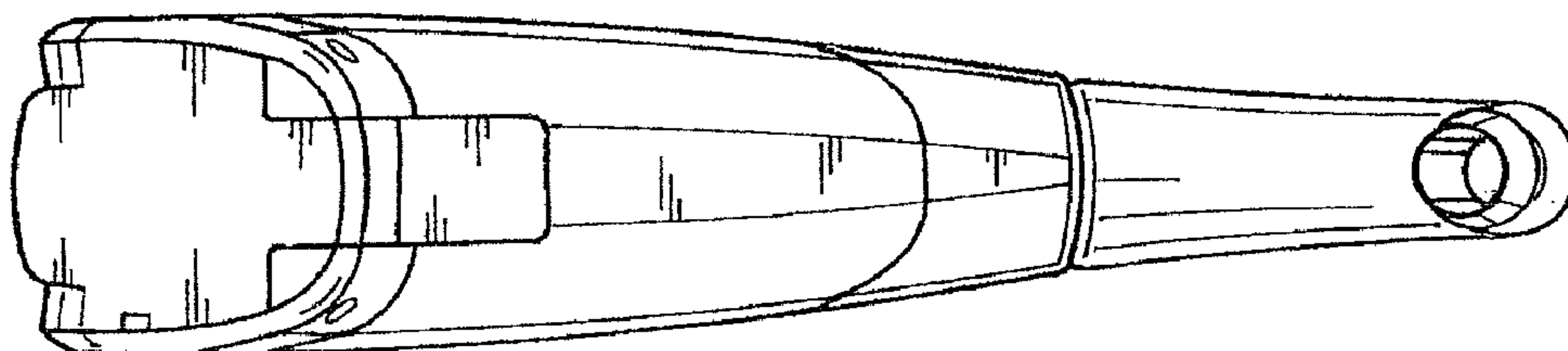


FIG. 7