



US00D646786S

(12) **United States Design Patent**
Anitua Aldecoa

(10) **Patent No.:** **US D646,786 S**

(45) **Date of Patent:** **** Oct. 11, 2011**

(54) **ANGULATED ABUTMENT**

(75) **Inventor:** **Eduardo Anitua Aldecoa**, Vitoria (ES)

(73) **Assignee:** **Biotechnology Institute, I Mas D, S.L.**,
Vitoria (Alava) (ES)

(**) **Term:** **14 Years**

(21) **Appl. No.:** **29/358,035**

(22) **Filed:** **Mar. 22, 2010**

(30) **Foreign Application Priority Data**

Sep. 21, 2009 (EM) 001166086

(51) **LOC (9) Cl.** **24-03**

(52) **U.S. Cl.** **D24/156**

(58) **Field of Classification Search** D24/155-156,
D24/176, 180; D8/387-388; 606/304, 74;
433/125-126, 172-176

See application file for complete search history.

(56) **References Cited**

U.S. PATENT DOCUMENTS

5,030,095	A *	7/1991	Niznick	433/173
5,195,891	A *	3/1993	Sulc	433/173
5,993,211	A *	11/1999	Broberg	433/172
6,030,219	A *	2/2000	Zuest et al.	433/181
D486,914	S *	2/2004	Schulter et al.	D24/156
6,695,616	B2 *	2/2004	Ellison	433/174
D493,890	S *	8/2004	Schulter et al.	D24/156
6,981,871	B2 *	1/2006	Mullaly et al.	433/172
D603,512	S *	11/2009	Emanuelli	D24/156
7,632,095	B2 *	12/2009	Ostman et al.	433/172

D611,148	S *	3/2010	White, III	D24/156
D612,056	S *	3/2010	White, III	D24/156
2009/0197218	A1 *	8/2009	Wiener	433/173

* cited by examiner

Primary Examiner — Ian Simmons

Assistant Examiner — Wan Laymon

(74) *Attorney, Agent, or Firm* — Browdy and Neimark,
PLLC

(57) **CLAIM**

The ornamental design for an angulated abutment, as shown and described.

DESCRIPTION

FIG. 1 is a top perspective view of the angulated abutment according to the claimed design;

FIG. 2 is a bottom perspective view of the angulated abutment according to the claimed design;

FIG. 3 is a front view of the angulated abutment according to the claimed design;

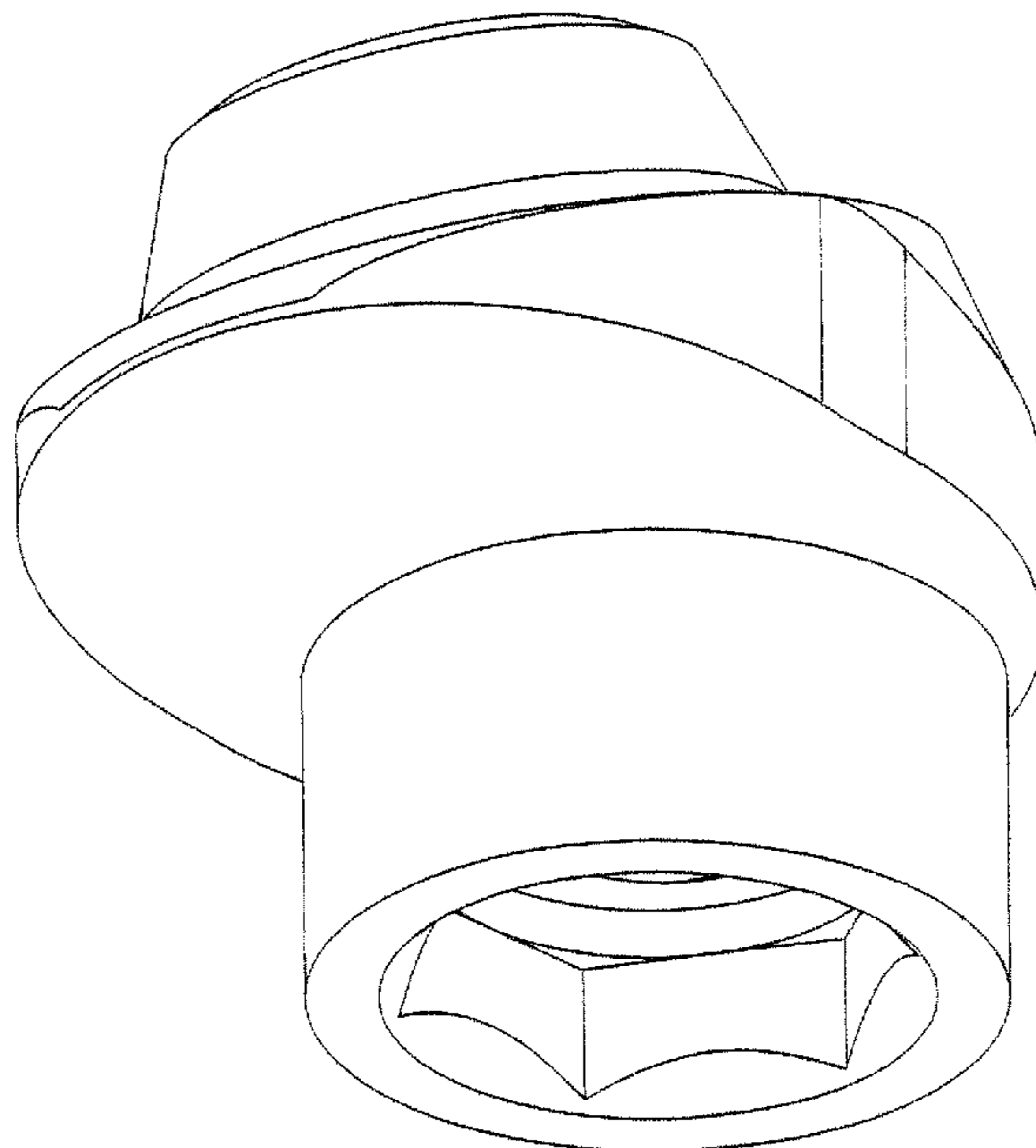
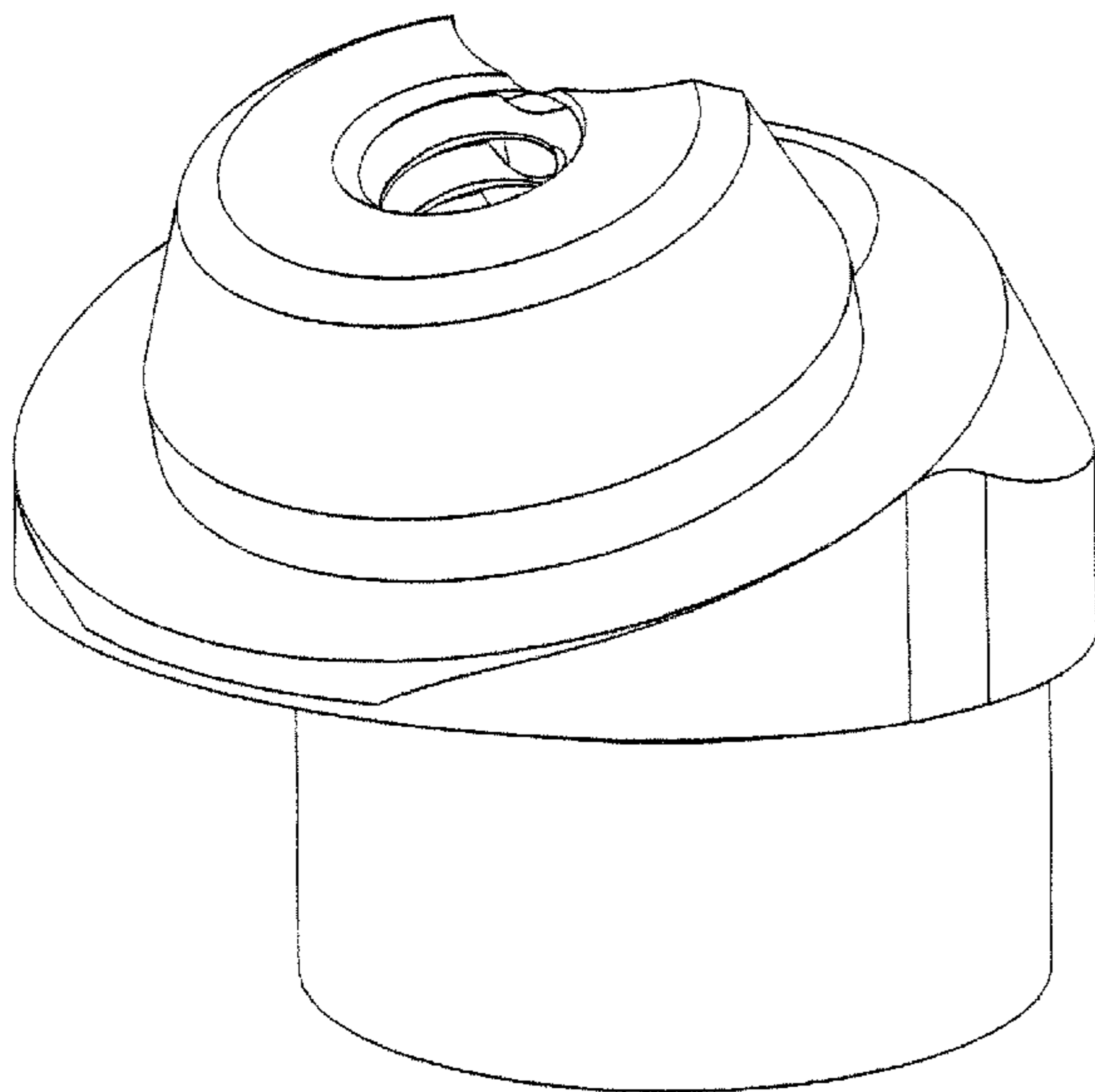
FIG. 4 is a rear view of the angulated abutment according to the claimed design;

FIG. 5 is a top view of the angulated abutment according to the claimed design;

FIG. 6 is a bottom view of the angulated abutment according to the claimed design; and,

FIG. 7 is a side view of the angulated abutment according to the claimed design.

1 Claim, 7 Drawing Sheets



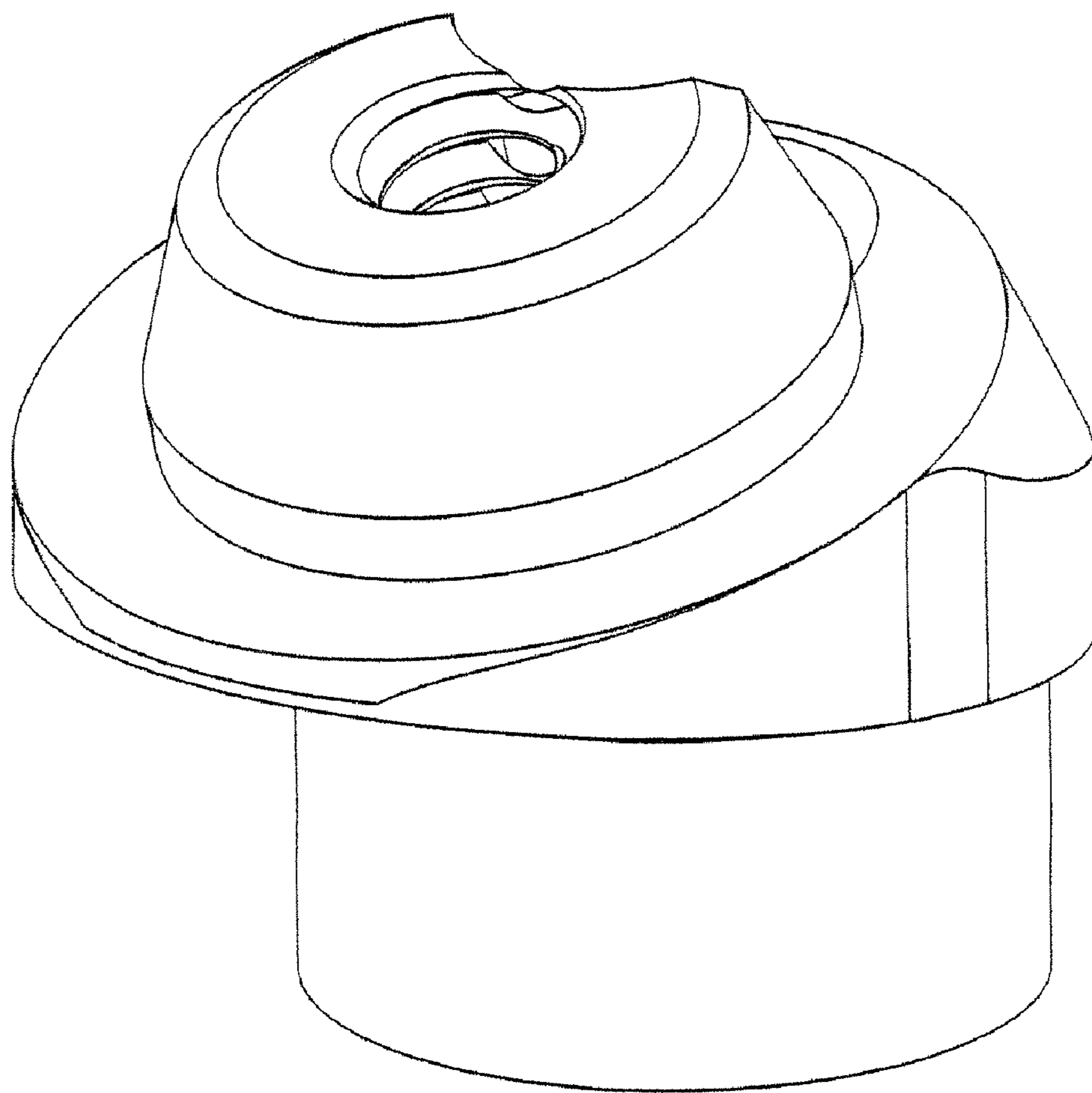


FIG. 1

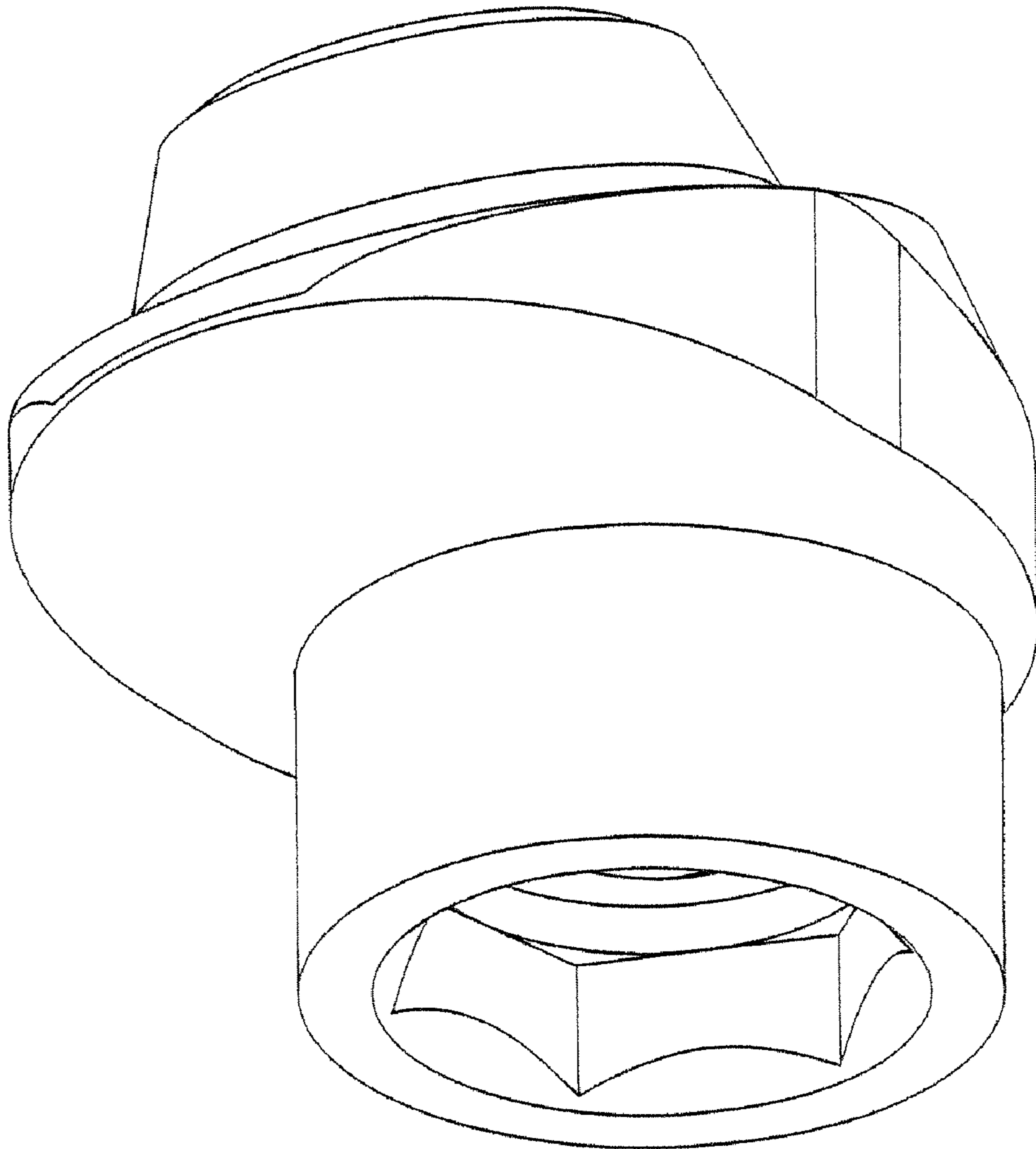


FIG. 2

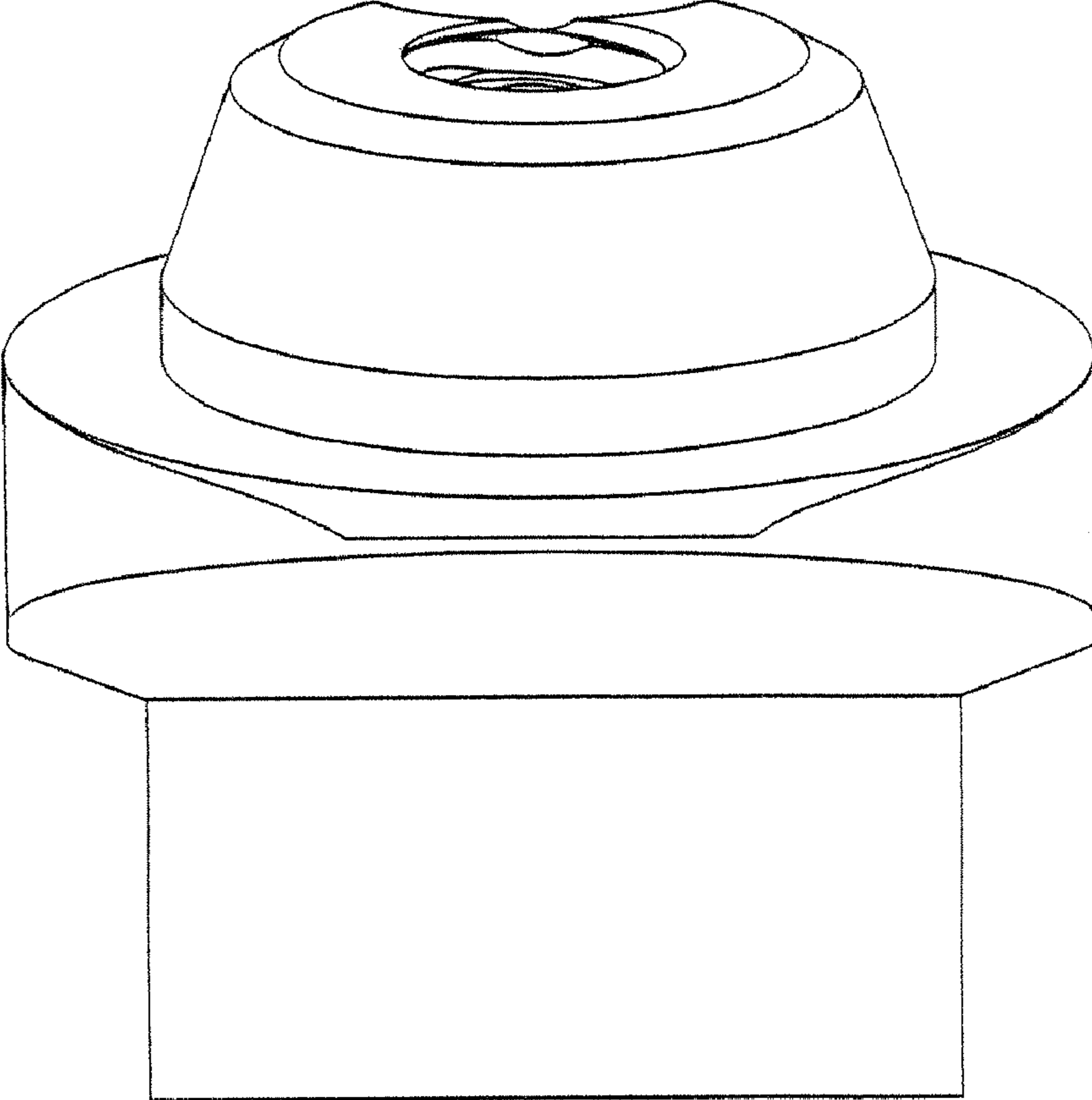


FIG. 3

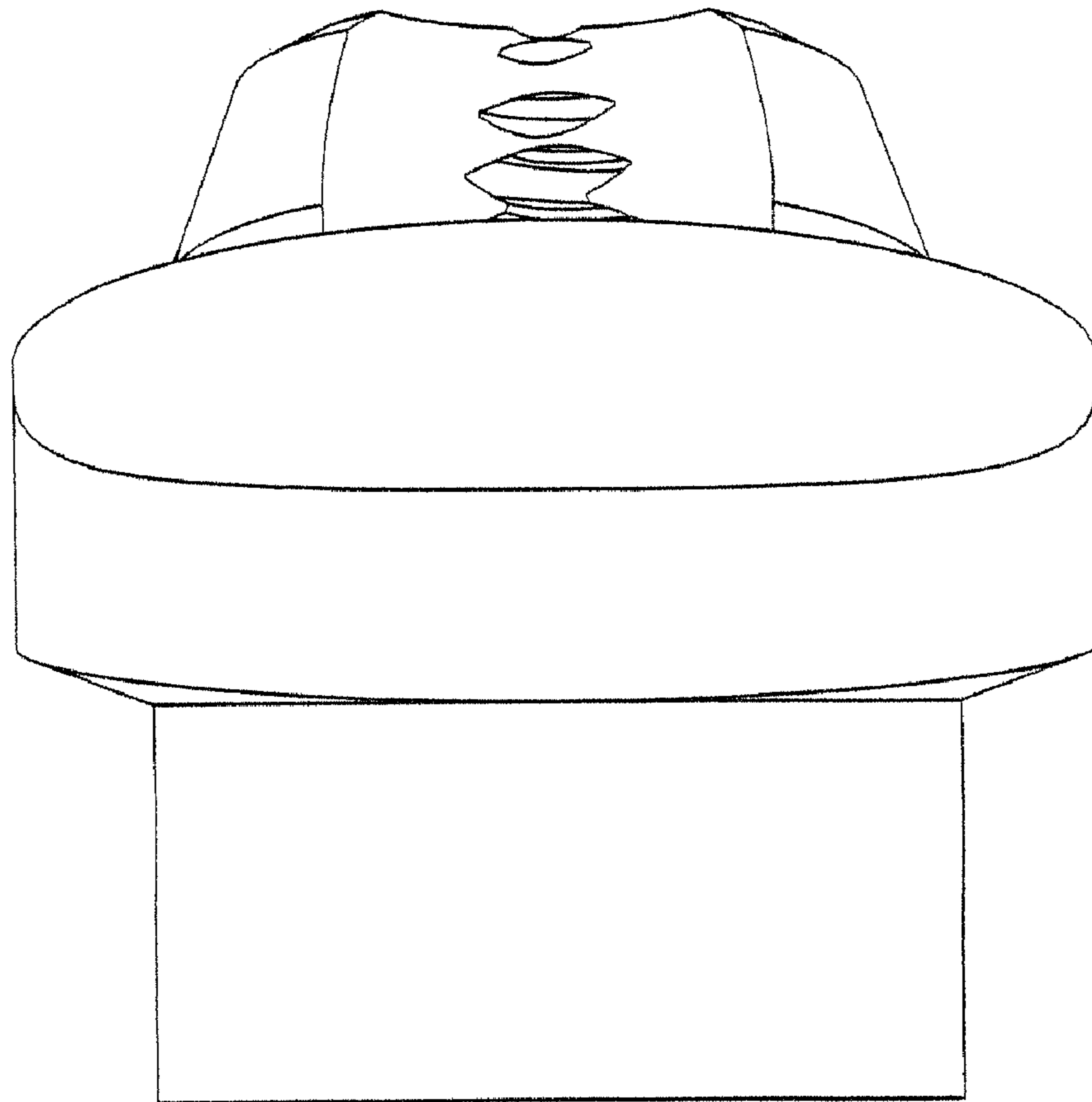


FIG. 4

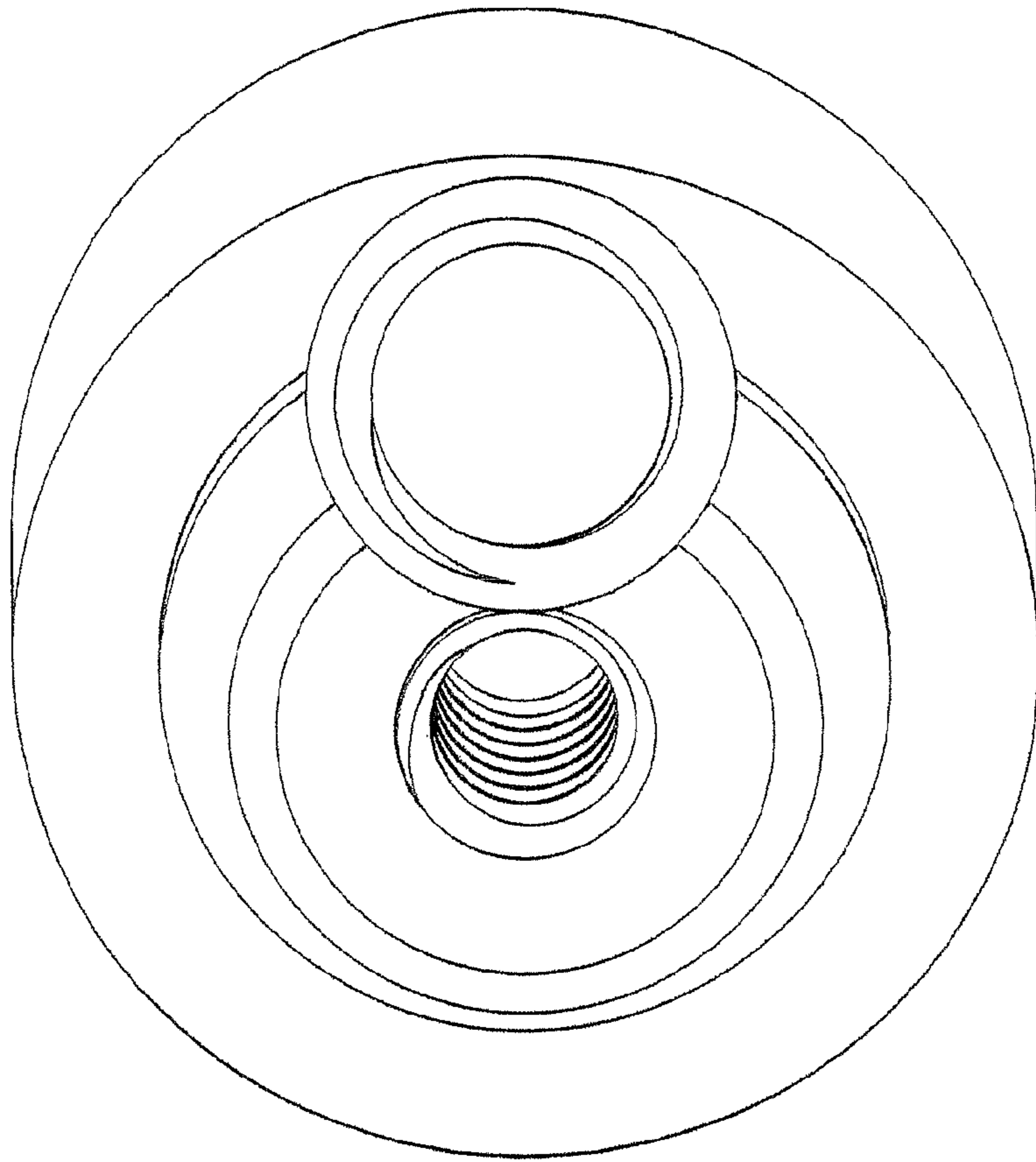


FIG. 5

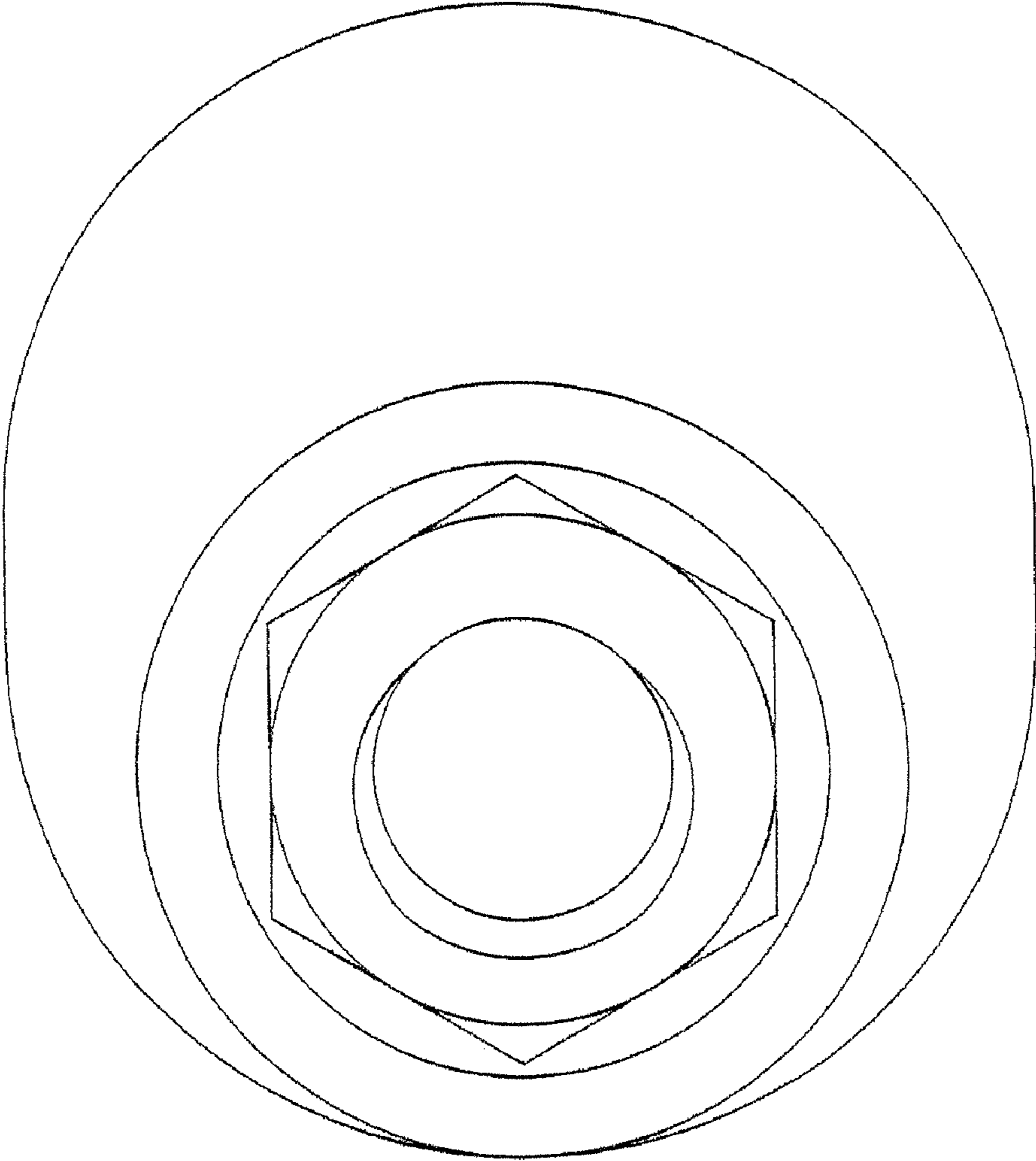


FIG. 6

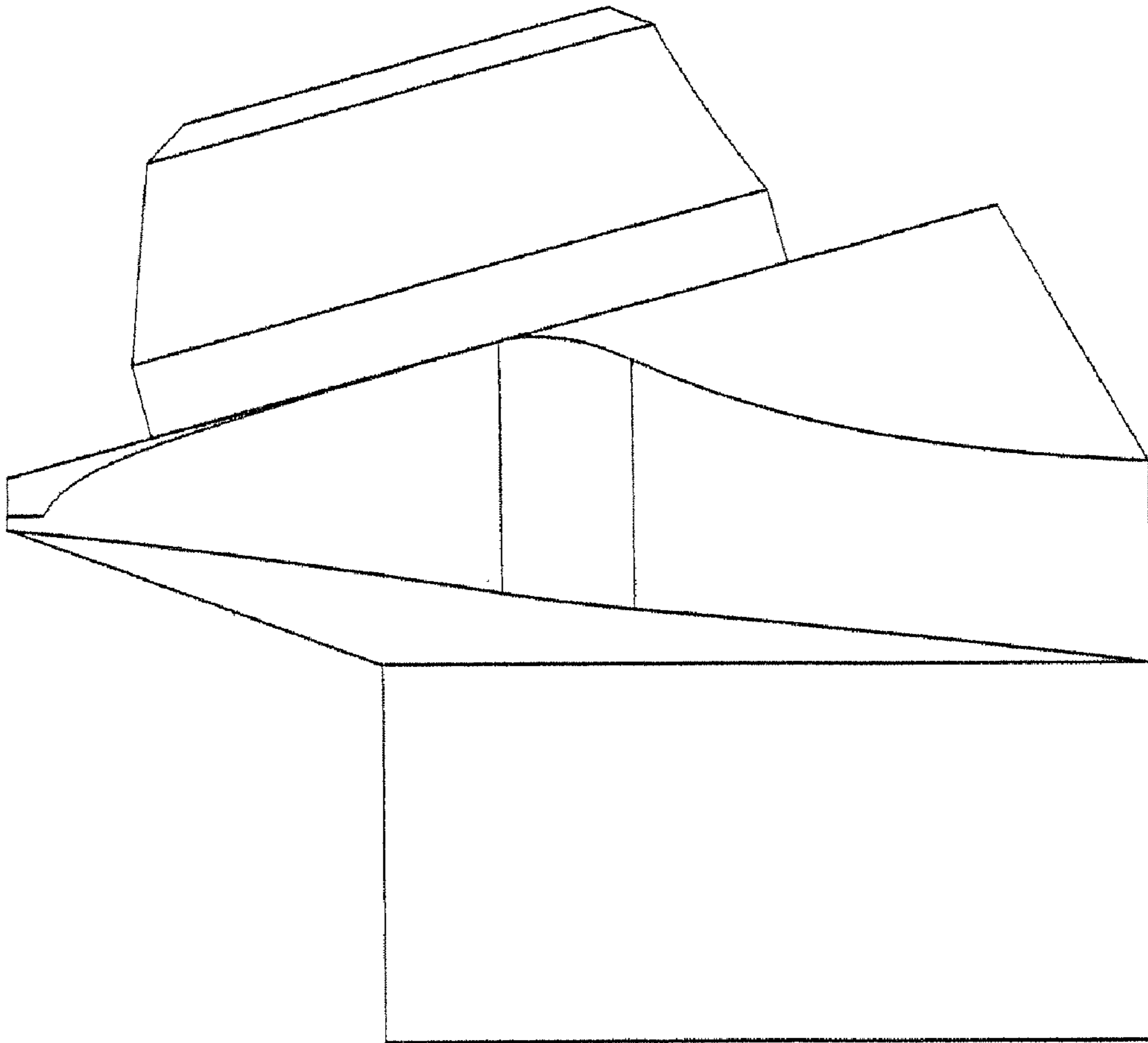


FIG. 7