



US00D646785S

(12) **United States Design Patent**  
**Milford**

(10) **Patent No.:** **US D646,785 S**

(45) **Date of Patent:** **\*\* Oct. 11, 2011**

(54) **ORTHOPEdic VOLAR BONE PLATE**

(75) Inventor: **Jordan N. Milford**, Morristown, NJ  
(US)

(73) Assignee: **EBI, LLC**, Parsippany, NJ (US)

(\*\*) Term: **14 Years**

(21) Appl. No.: **29/362,572**

(22) Filed: **May 27, 2010**

(51) **LOC (9) Cl.** ..... **24-02**

(52) **U.S. Cl.** ..... **D24/155**

(58) **Field of Classification Search** ..... D24/155-157;  
606/60, 61, 73, 95, 213, 65, 67, 288, 902,  
606/246, 248, 249; 623/17.11, 17.12, 17.13,  
623/17.14, 17.15, 17.16, 23.61, 23.56, 247,  
623/213; D15/143, 139

See application file for complete search history.

(56) **References Cited**

**U.S. PATENT DOCUMENTS**

5,607,426	A	3/1997	Ralph et al.	
5,643,265	A	7/1997	Errico et al.	
5,709,686	A	1/1998	Talos et al.	
5,735,853	A	4/1998	Olerud	
6,193,721	B1	2/2001	Michelson	
6,322,562	B1	11/2001	Wolter	
6,454,769	B2	9/2002	Wagner et al.	
7,001,387	B2	2/2006	Farris et al.	
7,001,389	B1	2/2006	Navarro et al.	
7,048,739	B2	5/2006	Konieczynski et al.	
7,128,744	B2	10/2006	Weaver et al.	
7,169,150	B2	1/2007	Shipp et al.	
D536,453	S *	2/2007	Young et al. ....	D24/155
7,175,623	B2	2/2007	Thramann et al.	
7,195,633	B2	3/2007	Medoff et al.	
7,220,263	B2	5/2007	Cordaro	
7,255,699	B2	8/2007	Paul	
7,273,481	B2	9/2007	Lombardo et al.	
7,288,095	B2	10/2007	Baynham et al.	
7,306,605	B2	12/2007	Ross	
7,309,340	B2	12/2007	Fallin et al.	
D576,731	S *	9/2008	Strnad et al. ....	D24/155

D589,148	S *	3/2009	Strnad et al. ....	D24/155
D589,149	S *	3/2009	Strnad et al. ....	D24/155
D594,123	S *	6/2009	Haidukewych et al. ....	D24/155
2004/0030336	A1	2/2004	Khanna	
2005/0187551	A1	8/2005	Orbay et al.	
2006/0122603	A1	6/2006	Kolb	

(Continued)

**OTHER PUBLICATIONS**

Acumed, "Mayo Clinic Congruent Elbow Plate System", Acumed brochure CPS00-01-03; Effective: Apr. 2006; Copyright © 2006.

(Continued)

*Primary Examiner* — Ian Simmons

*Assistant Examiner* — Charles Hanson

(74) *Attorney, Agent, or Firm* — Harness, Dickey

(57) **CLAIM**

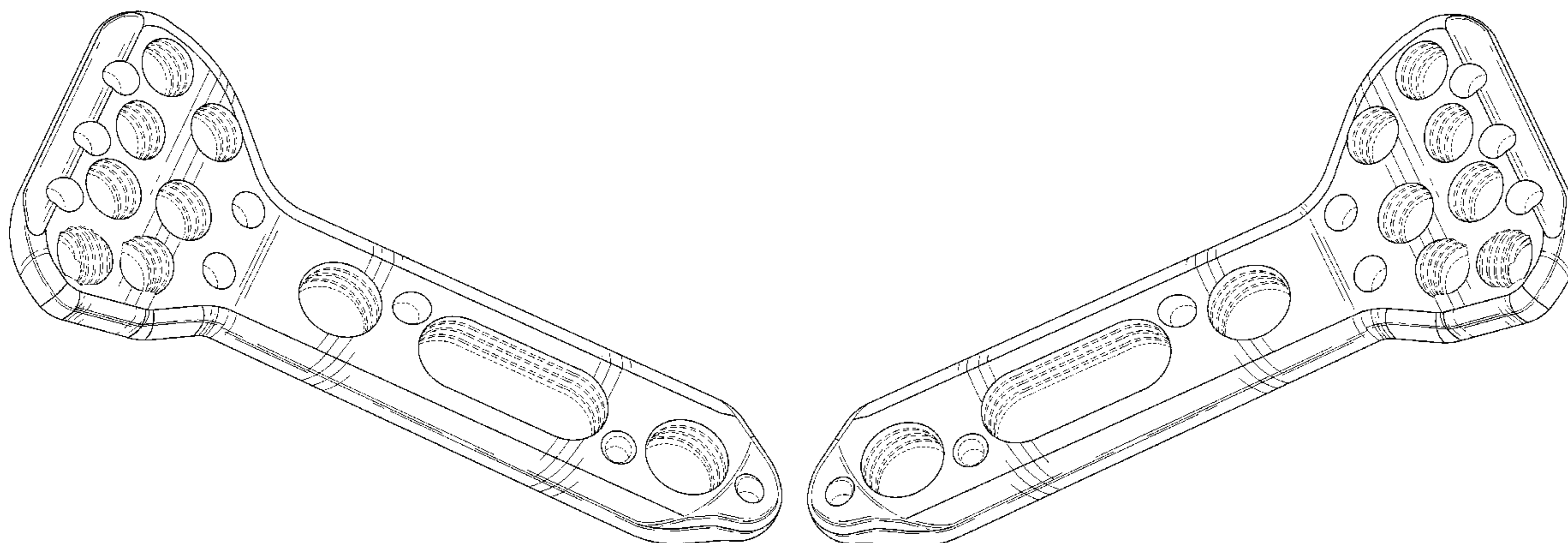
The ornamental design for an orthopedic volar bone plate, as shown and described.

**DESCRIPTION**

FIG. 1 is a top perspective view of an orthopedic volar bone plate showing my new design;  
 FIG. 2 is a top plan view thereof;  
 FIG. 3 is a back elevation view thereof;  
 FIG. 4 is front elevation view thereof;  
 FIG. 5 is a left side elevation view thereof;  
 FIG. 6 is a right side elevation view thereof;  
 FIG. 7 is a top perspective view of another embodiment of an orthopedic volar bone plate showing my design;  
 FIG. 8 is a top plan view thereof;  
 FIG. 9 is a back elevation view thereof;  
 FIG. 10 is front elevation view thereof;  
 FIG. 11 is a right side elevation view thereof; and,  
 FIG. 12 is a left side elevation view thereof.

The broken lines are for illustrative purposes only and form no part of the claimed design. It will be understood that the bottom of the orthopedic volar bone plates are plain and unornamented.

**1 Claim, 6 Drawing Sheets**



## U.S. PATENT DOCUMENTS

2006/0241612 A1 10/2006 Medoff  
 2007/0088360 A1 4/2007 Orbay et al.  
 2007/0118126 A1 5/2007 Medoff et al.  
 2007/0212915 A1 9/2007 Strnad et al.  
 2008/0021477 A1 1/2008 Strnad et al.

## OTHER PUBLICATIONS

Arthrex, "The Arthrex Humeral SuturePlate™ Proximal Humeral Fracture Management System", © Copyright Arthrex, Inc., 2006.

DePuy, "ALPS (Anatomic Locked Plating System) Distal Tibia Plating System, Anterolateral & Medical Distal Tibia Locking Plates, Surgical Technique"; DePuy brochure 0612-64-506, © 2009 DePuy Orthopedics, Inc.

DePuy, "ALPS (Anatomic Locked Plating System) Hand Fracture System, Surgical Technique"; DePuy brochure 0612-50-507; © 2008 DePuy Orthopedics, Inc.

DePuy, "Polyax Wide Angle Freedom, Surgical Technique, Proximal Tibial Locked Plating System", DePuy brochure 0612-55-501, © 2006, DePuy Orthopedics, Inc.

Kinetikos Medical Inc., "Surgical Technique, Viper™ with VALT, Distal Radius Plate with Variable Angle Locking Technology"; KMI brochure © 2006 KMI.

Newclip Technics SAS Alians Trauma, "Proximal humerus plate, DualTech System® : variable angle locking System"; Newclip Technics Surgical Technique, Edition 5, Feb. 28, 2000.

Newclip Technics, "Polyaxial Locking Humerus Plate"; Newclip Technics Innovation Means Motion brochure; www.newcliptechnics.com.

Small Bone Innovations, Inc., "Precise SD™ Distal Radius System"; SBI brochure 8252 2M Copyright © 2008 Small Bone Innovations, Inc.

Small Bone Innovations, Inc., "Precise SD™ Distal Radius System Surgical Technique"; SBI brochure MKT 31010 Rev. C, Nov. 2008; Copyright © 2008 Small Bone Innovations, Inc.

Smith & Nephew, "PERI-LOC™ VLP Variable-Angle Locked Plating System, Increasing surgical freedom; Restoring patient function"; Orthopaedic Reconstruction & Trauma; Smith & Nephew brochure 7118-1292; Aug. 2008.

Smith & Nephew, "PERI-LOC™ VLP Variable-Angle Locked Plating System, Surgical Technique"; Orthopaedic Trauma & Clinical Therapies; Smith & Nephew brochure 7118-1201; Mar. 2008.

Smith & Nephew, "PERI-LOC™ Upper Extremity Locked Plating System, Surgical Technique, Proximal Humerus Locking Plate"; Orthopaedic Trauma & Clinical Therapies; Smith & Nephew brochure 7118-1095; Sep. 2006.

Stryker, "Matrix-SmartLock Procedural Guide, Leibinger Solutions for Hand Surgery, Polyaxial Locking System for Distal Radius"; Literature Number: 90-07 650; Print Date Jun. 2006 Rev. -2; Copyright © 2006 Stryker.

Stryker, "Numelock II® Polyaxial Locking System Operative Technique, Trauma Applications"; Literature No. 982195; Copyright © 2004 Stryker.

Stryker, "Osteosynthesis, Numelock II® Polyaxial Locking System Operative Technique, Osteotomy Applications"; Literature No. 982196; Copyright © 2006 Stryker.

Stryker, "Osteosynthesis, VariAx Distal Radius Locking Plate System Operative Technique, Anatomical & Universal Volar Plates, Dorsal Plates, Fragment Specific Plates"; Literature No. 90-07800; Copyright © 2008 Stryker.

Stryker, "Osteosynthesis, VariAx Foot Locking Plate System, Trauma and Deformity Correction, Polyaxial Locking Technology, Comprehensive Calcaneal Fracture Plates"; Literature No. 90-07804; Copyright © 2007 Stryker.

Stryker, "Osteosynthesis, VariAx Foot Locking Plate System, Operative Technique, Trauma and Deformity Correction, Polyaxial Locking Technology, Comprehensive Calcaneal Fracture Plates"; Literature No. 90-07805; Copyright © 2007 Stryker.

Stryker, "Osteosynthesis, Stryker Hand Plating System Operative Technique, VariAx Hand Locking Plate Module, Profyle Hand Standard Plating Module"; Literature No. 90-07555; Copyright © 2007 Stryker.

Stryker, "Osteosynthesis, AxSOS Locking Plate System, Proximal Humerus, Distal Lateral Femur, Proximal Lateral Tibia, Distal Medial Tibia, Distal Anterolateral Tibia"; Literature No. 982293; Copyright © 2007 Stryker.

Stryker, "Osteosynthesis, AxSOS Locking Plate System, Operative Technique, Small Fragment, Basic Fragment"; Literature No. 982295; Copyright © 2006 Stryker.

Stryker, "Trauma, Distal Radius Locking Plate System, Anatomical & Universal Volar Plates, Dorsal Plates, Fragment Specific Plates"; Literature No. LVXPB; Copyright © 2006 Stryker.

Synthes, Inc., "Synthes® 2.4 mm Variable Angle LCP Volar Extra-Articular Distal Radius System. For fragment-specific fracture fixation with variable angle locking technology"; Technique Guide © Sep. 2008 Synthes, Inc.

Litos/Tifix, "Tifix® Technology Pressure Plate Technology Multidirectional angular stable Titanium plate and screw systems"; General & Special Instructions; copyright © Litos/GmbH & Co. KG, Rev. Feb. 6, 2008.

Tornier Surgical Implants, "Aequalis® Humeral Plate"; Tornier brochure SS-201; Sep. 2007.

Zimmer, Inc., "NCB® Proximal Humerus Plating System Surgical Technique"; Zimmer brochure 06.01209.012 © 2005 Zimmer, Inc.

Zimmer, Inc., "Small Fragment Universal Locking System Surgical Technique"; Zimmer trauma brochure 97-4936-002-00 © 2006 Zimmer, Inc.

Zimmer, Inc., "Universal Locking System Surgical Technique"; Zimmer trauma brochure 97-4936-001-00 © 2006 Zimmer, Inc.

\* cited by examiner

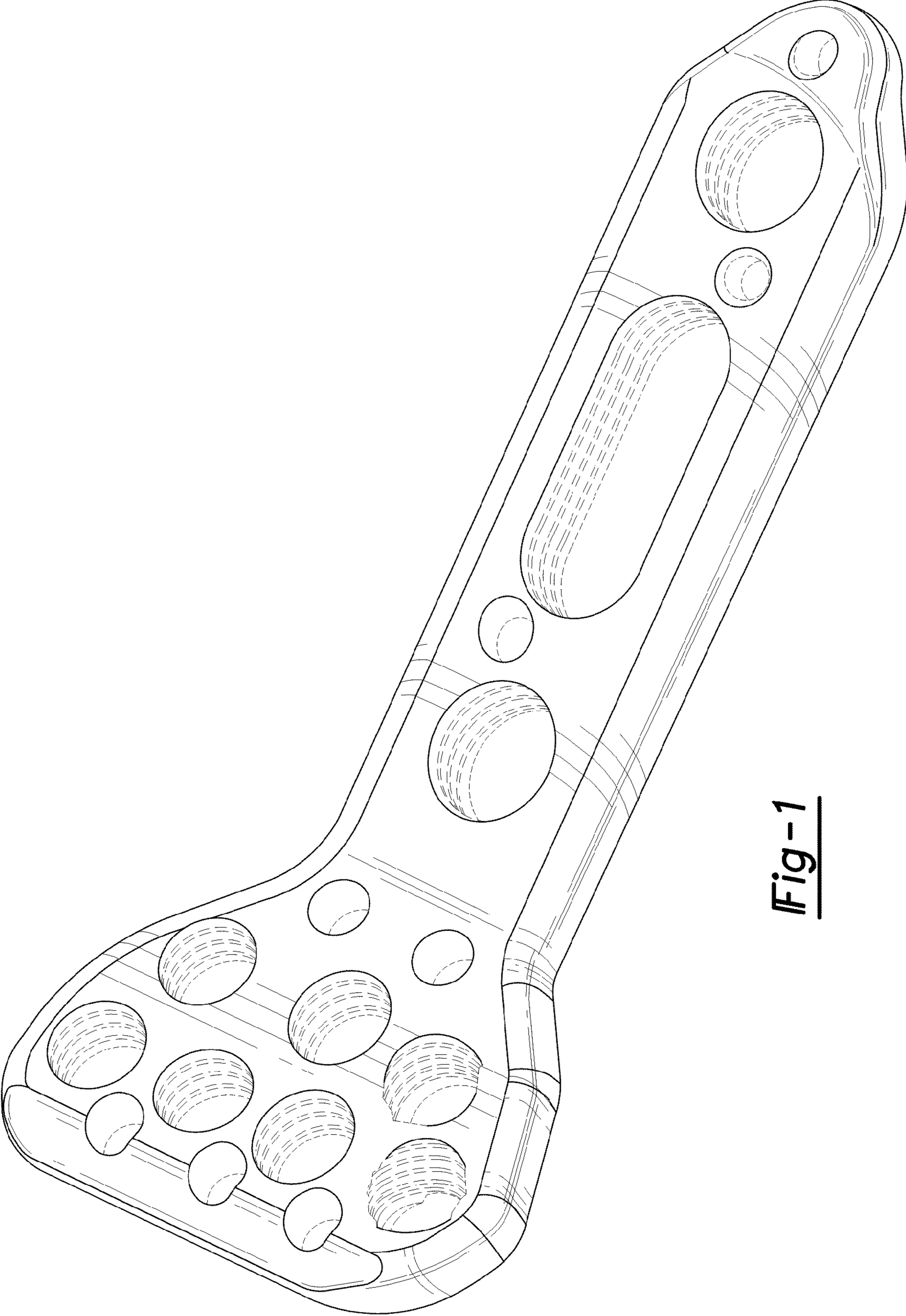


Fig-1

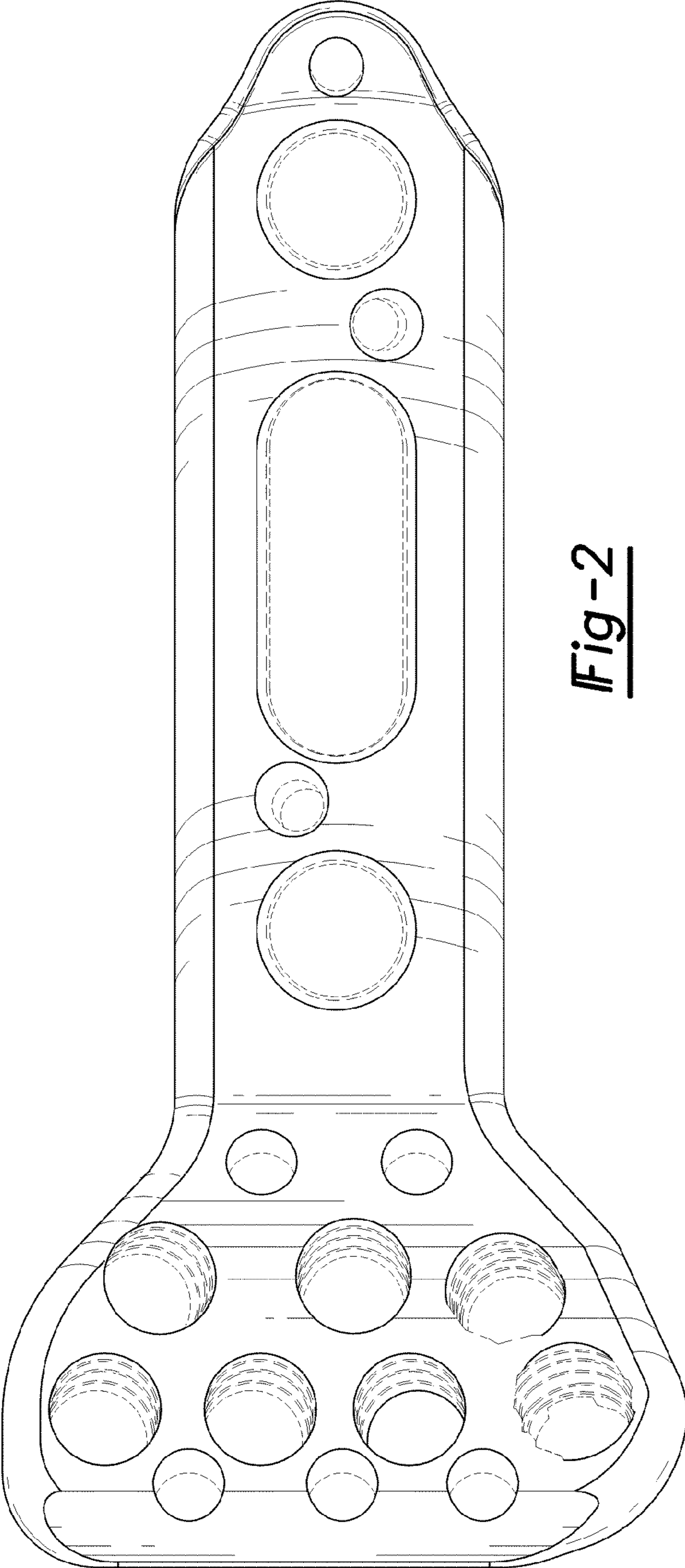


Fig-2

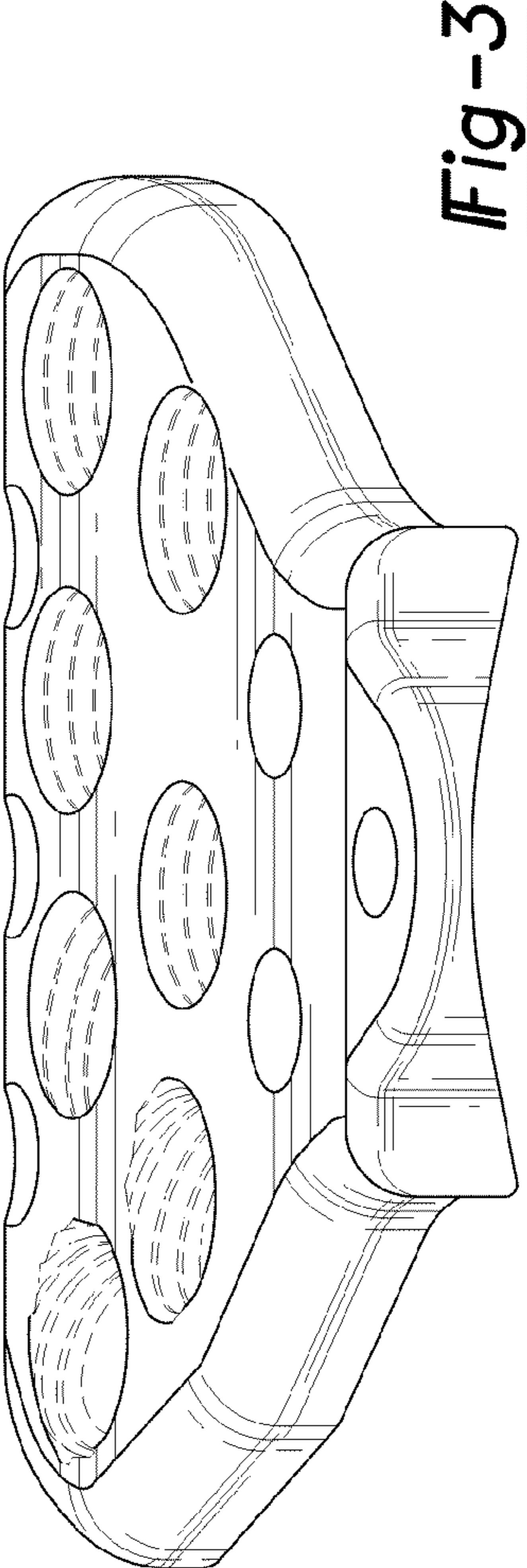


Fig-3

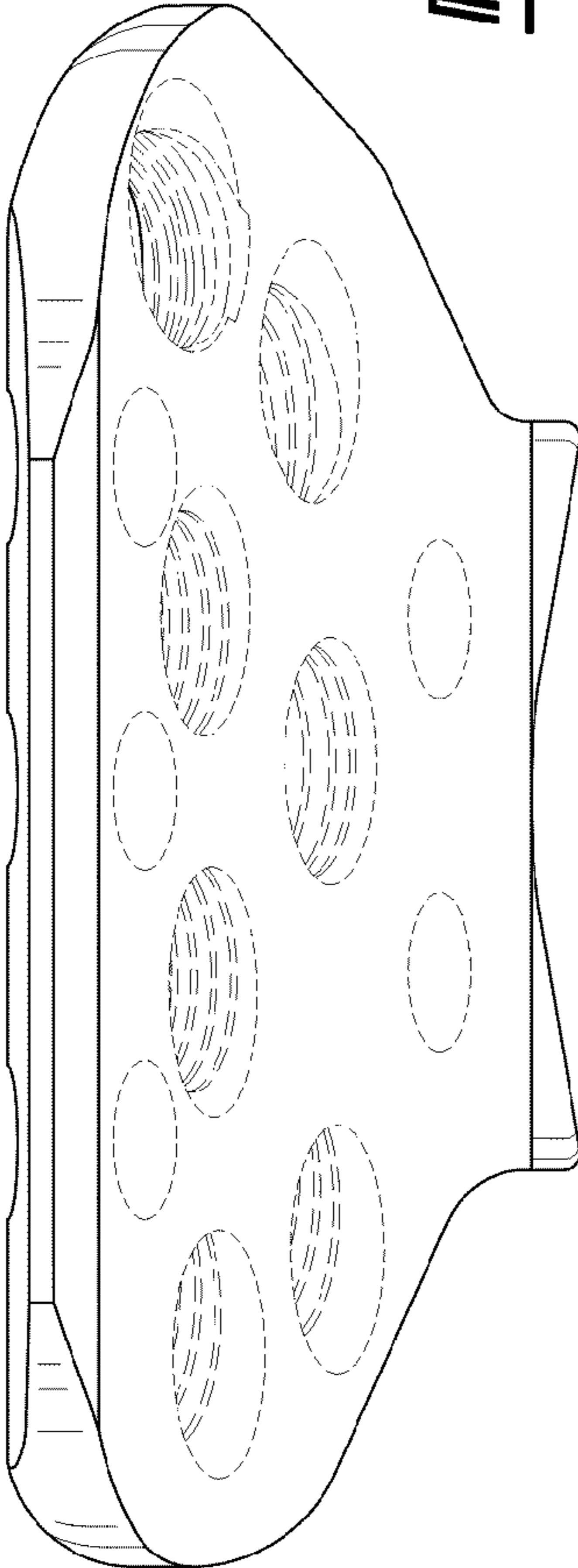


Fig-4

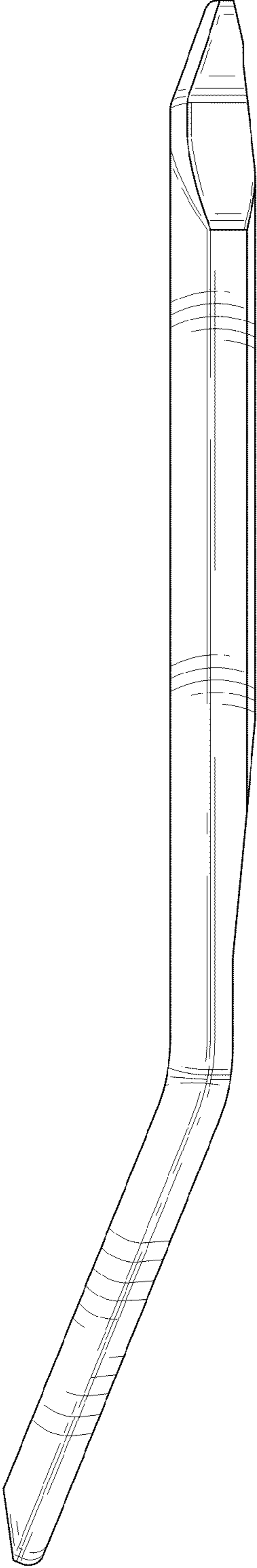


Fig-5

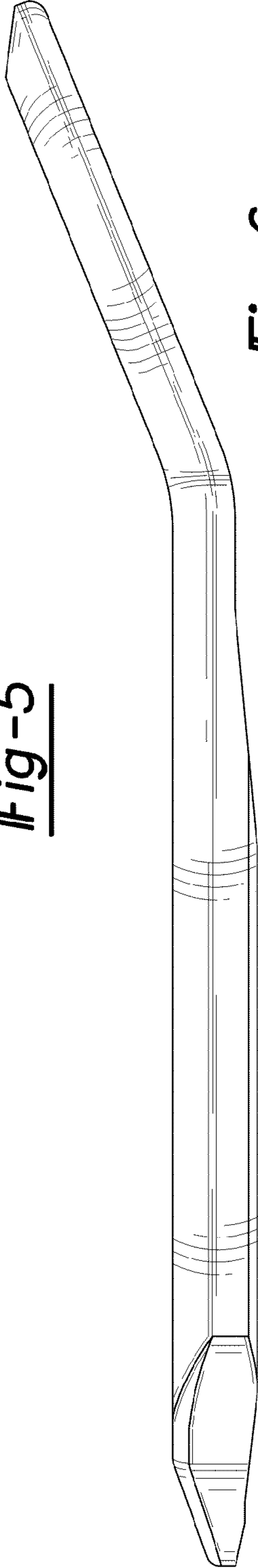


Fig-6

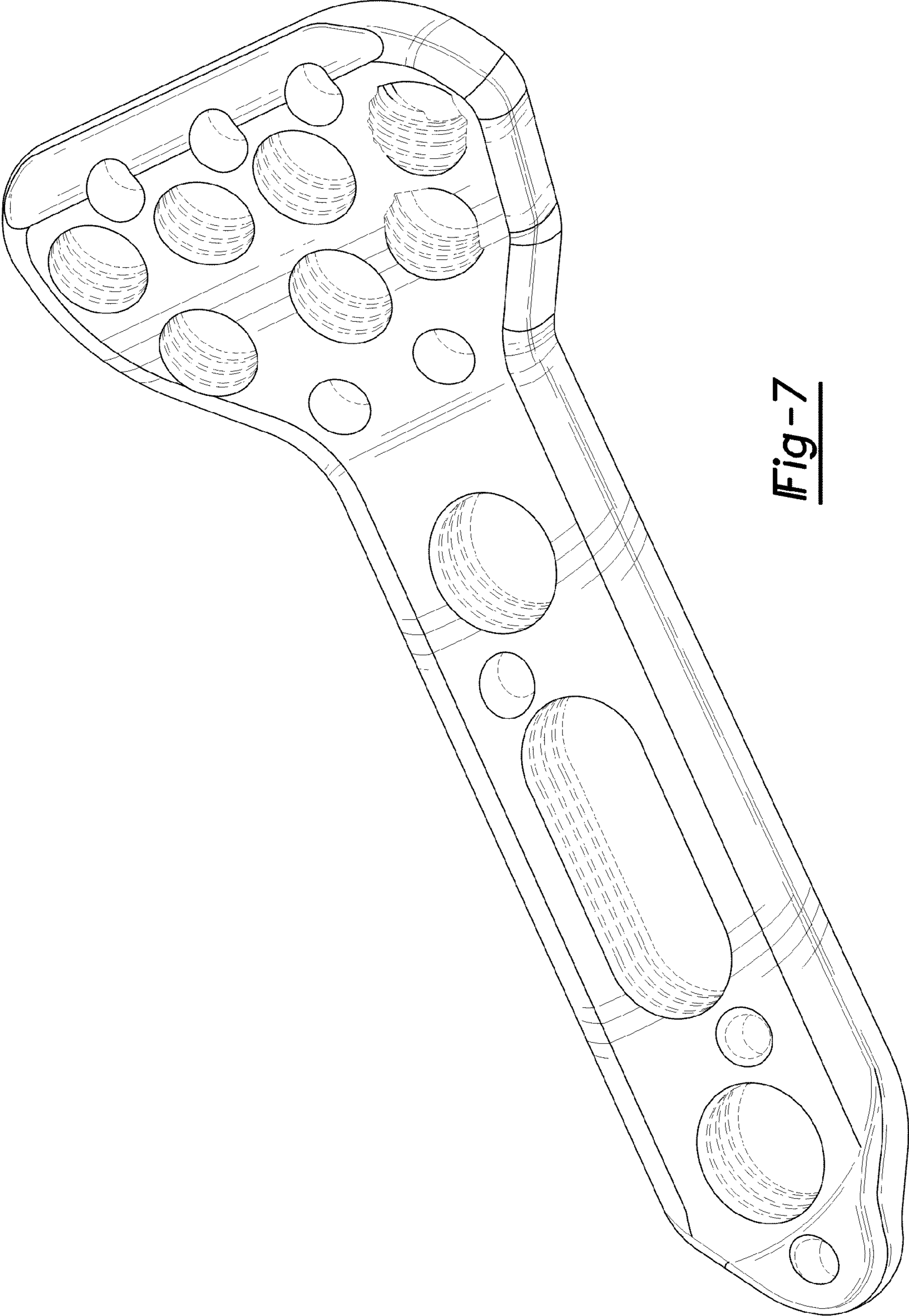


Fig-7

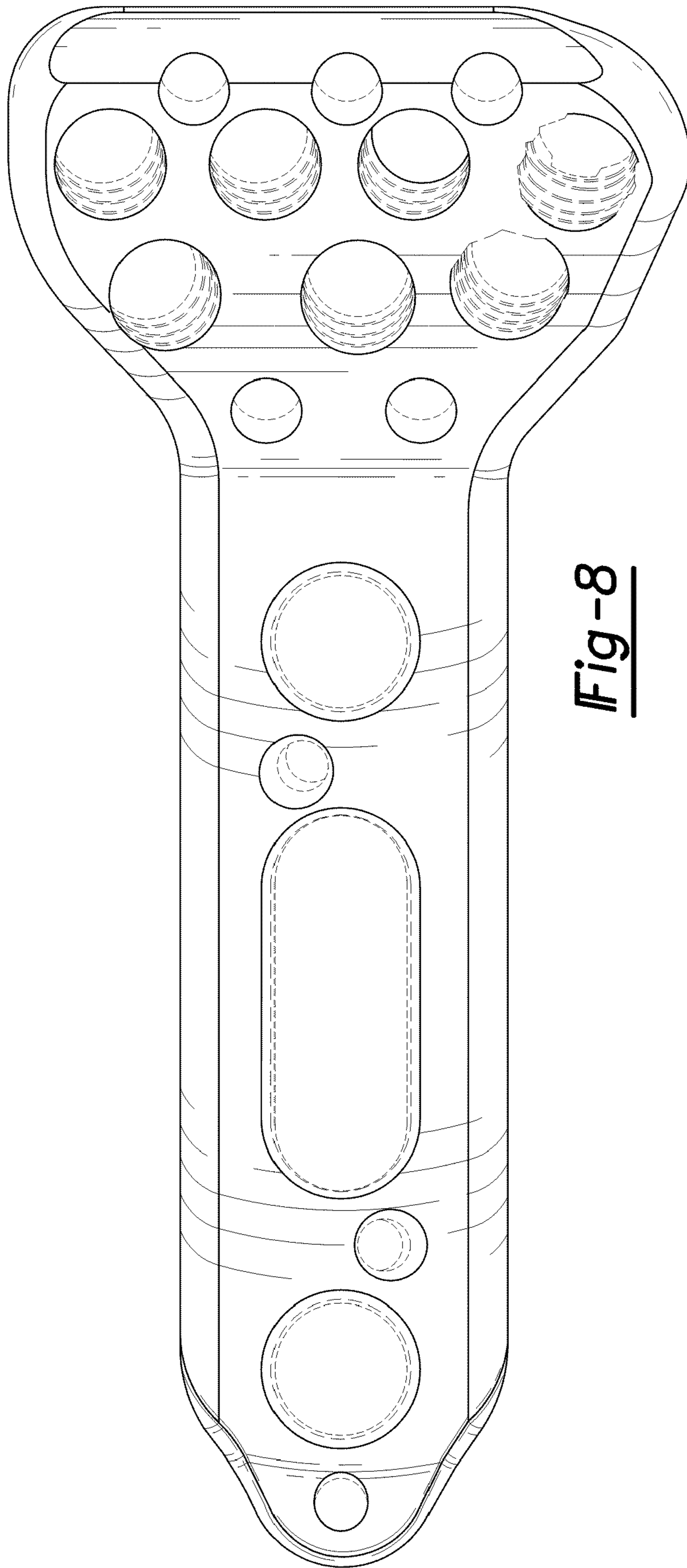


Fig-8

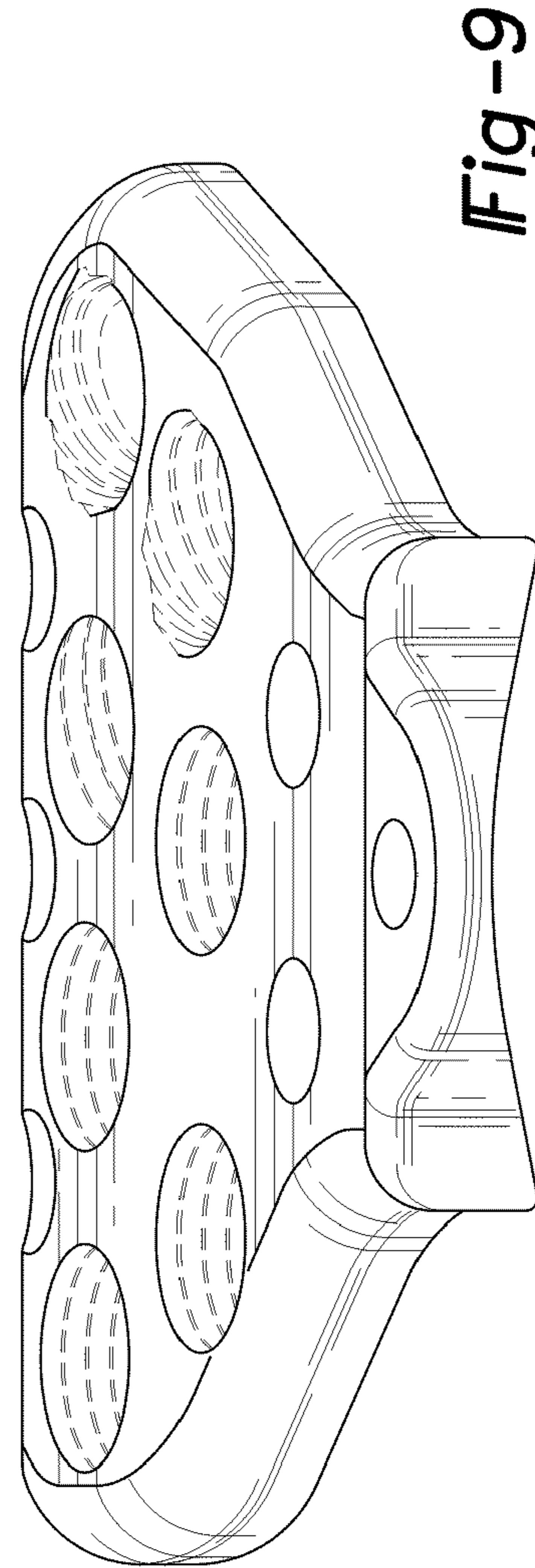


Fig-9

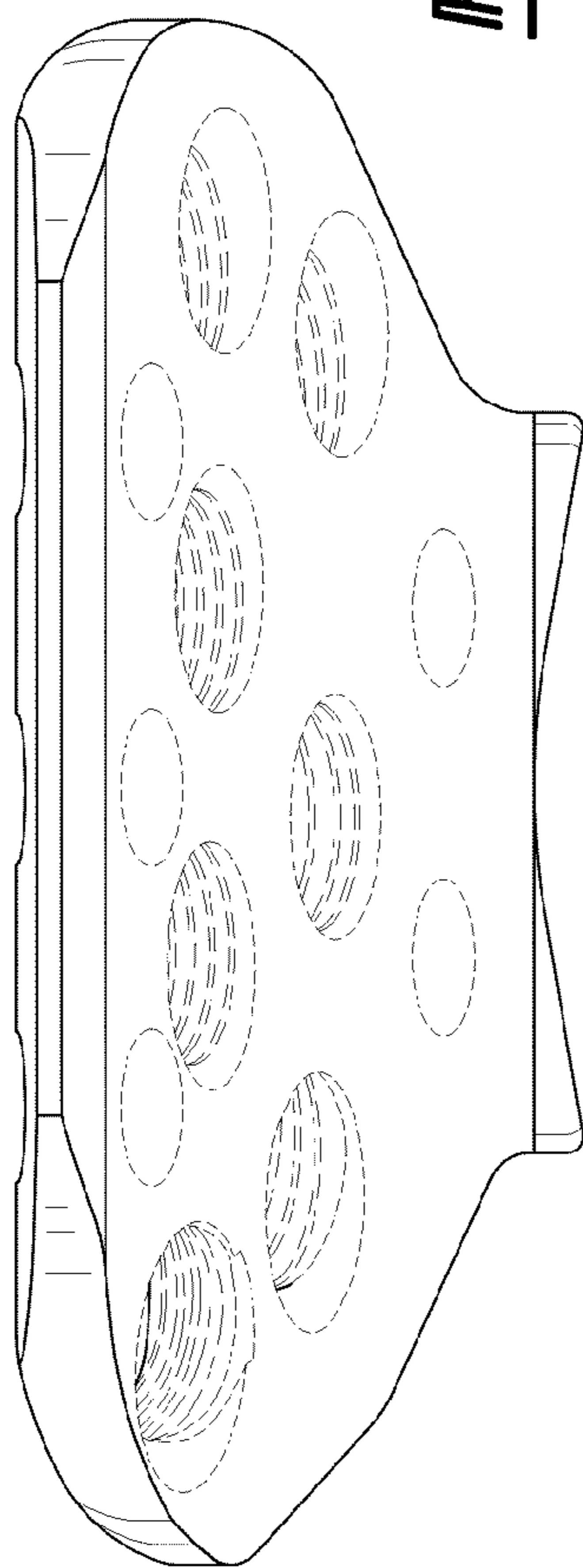


Fig-10

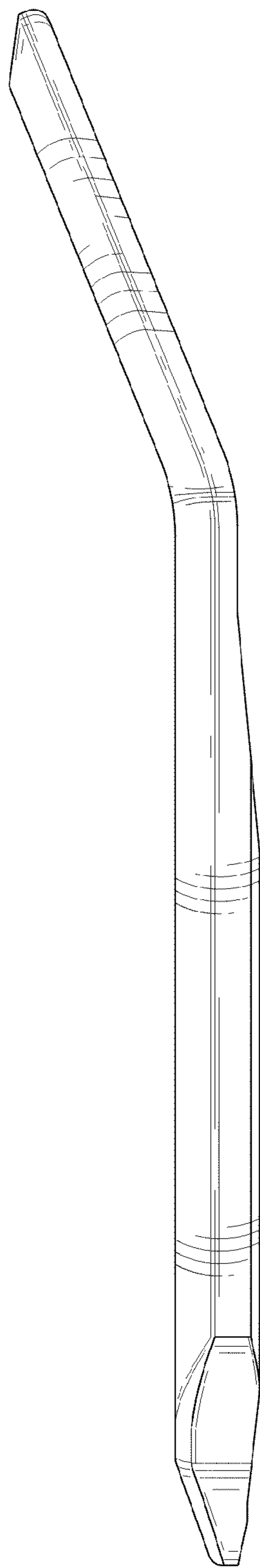


Fig-11

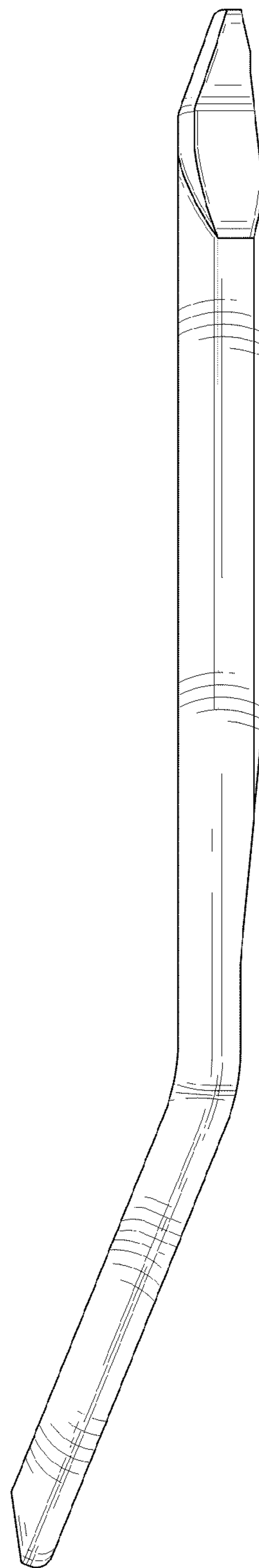


Fig-12



UNITED STATES PATENT AND TRADEMARK OFFICE  
**CERTIFICATE OF CORRECTION**

PATENT NO. : D646,785 S  
APPLICATION NO. : 29/362572  
DATED : October 11, 2011  
INVENTOR(S) : Jordan N. Milford

Page 1 of 1

It is certified that error appears in the above-identified patent and that said Letters Patent is hereby corrected as shown below:

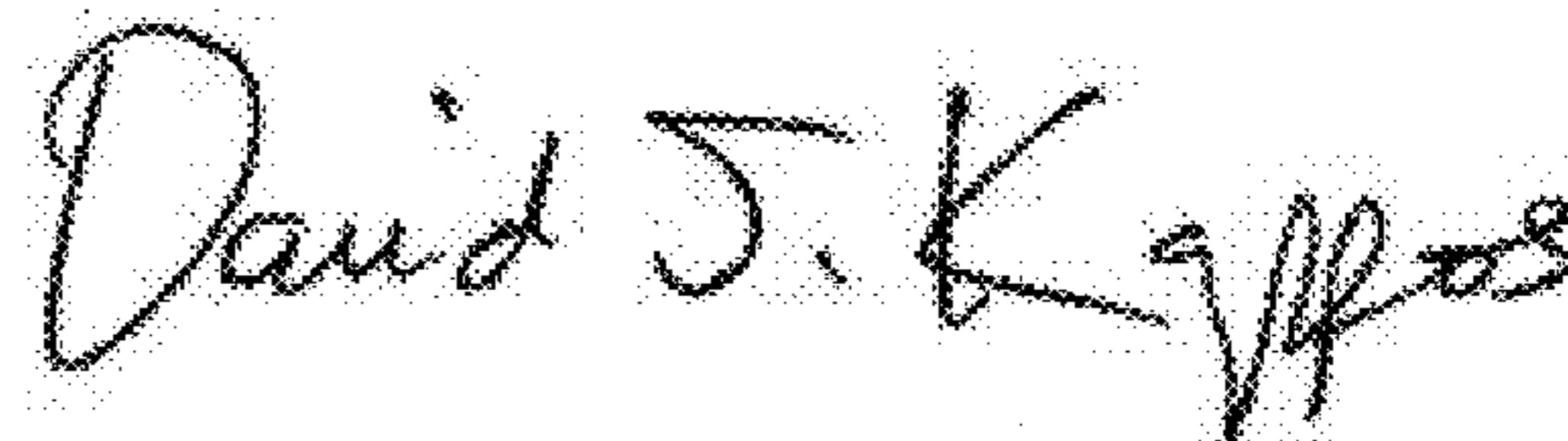
Description,

Line 5, after "is" insert --a--.

Description,

Line 12, after "is" insert --a--.

Signed and Sealed this  
Thirty-first Day of January, 2012

A handwritten signature in black ink that reads "David J. Kappos". The signature is written in a cursive style with a large initial "D" and "K".

David J. Kappos  
*Director of the United States Patent and Trademark Office*