



US00D646781S

(12) **United States Design Patent**
Forbes et al.

(10) **Patent No.:** **US D646,781 S**

(45) **Date of Patent:** **** Oct. 11, 2011**

(54) **ODOR ABSORBING ANAL PAD FOR UNDERGARMENTS**

(76) Inventors: **Velta Forbes**, Royal Palm Beach, FL (US); **Antoinette Davis**, Royal Palm Beach, FL (US)

(**) Term: **14 Years**

(21) Appl. No.: **29/387,203**

(22) Filed: **Mar. 10, 2011**

(51) **LOC (9) Cl.** **24-04**

(52) **U.S. Cl.** **D24/125**

(58) **Field of Classification Search** D24/124-126;
604/358, 378, 359, 360, 361, 385.01, 386,
604/387

See application file for complete search history.

(56) **References Cited**

U.S. PATENT DOCUMENTS

- 4,182,335 A * 1/1980 Matrullo 604/365
- 4,184,498 A * 1/1980 Franco 604/375
- 4,681,577 A 7/1987 Stern et al.
- 4,880,417 A 11/1989 Yabrov et al.
- 4,900,319 A * 2/1990 Richwine 604/385.04

- D325,969 S 5/1992 Davy
- 5,665,081 A 9/1997 Grosse
- 6,313,371 B1 11/2001 Conant et al.
- D459,801 S * 7/2002 Scott-Watts et al. D24/125
- 6,913,573 B1 * 7/2005 Viscomi et al. 600/29
- 7,195,619 B2 3/2007 Manasek
- 7,425,171 B2 9/2008 Maupin
- 2002/0035747 A1 3/2002 Kusibojoska et al.

* cited by examiner

Primary Examiner — Holly Baynham
Assistant Examiner — Michelle E Wilson

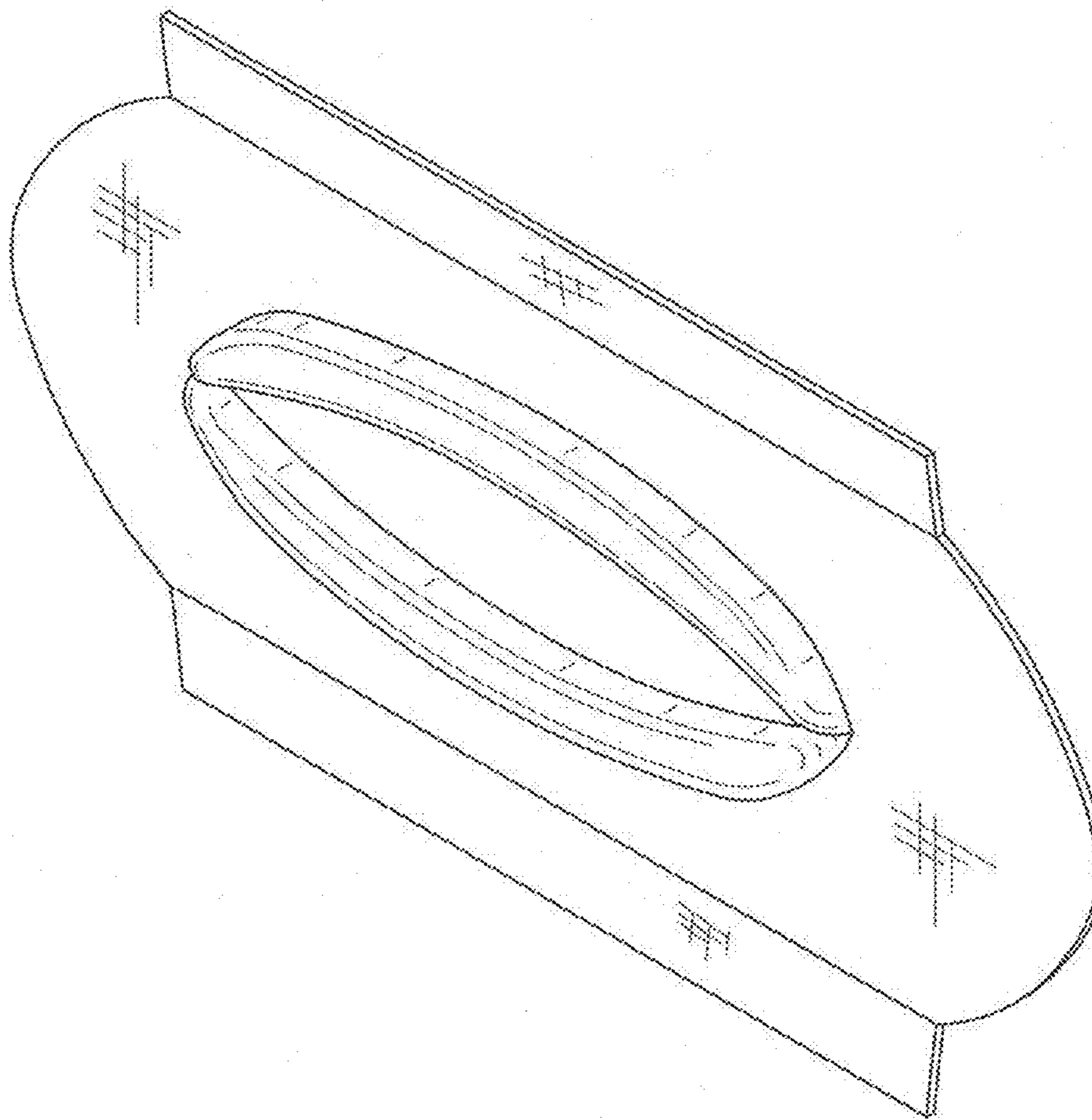
(57) **CLAIM**

The ornamental design for an odor absorbing anal pad for undergarments, as shown and described.

DESCRIPTION

FIG. 1 is a perspective view of an odor absorbing anal pad for undergarments showing my new design;
FIG. 2 is a top view thereof;
FIG. 3 is a bottom view thereof;
FIG. 4 is a side view (opposite side view is mirror image) thereof; and,
FIG. 5 is a front view (back view is mirror image) thereof.

1 Claim, 4 Drawing Sheets



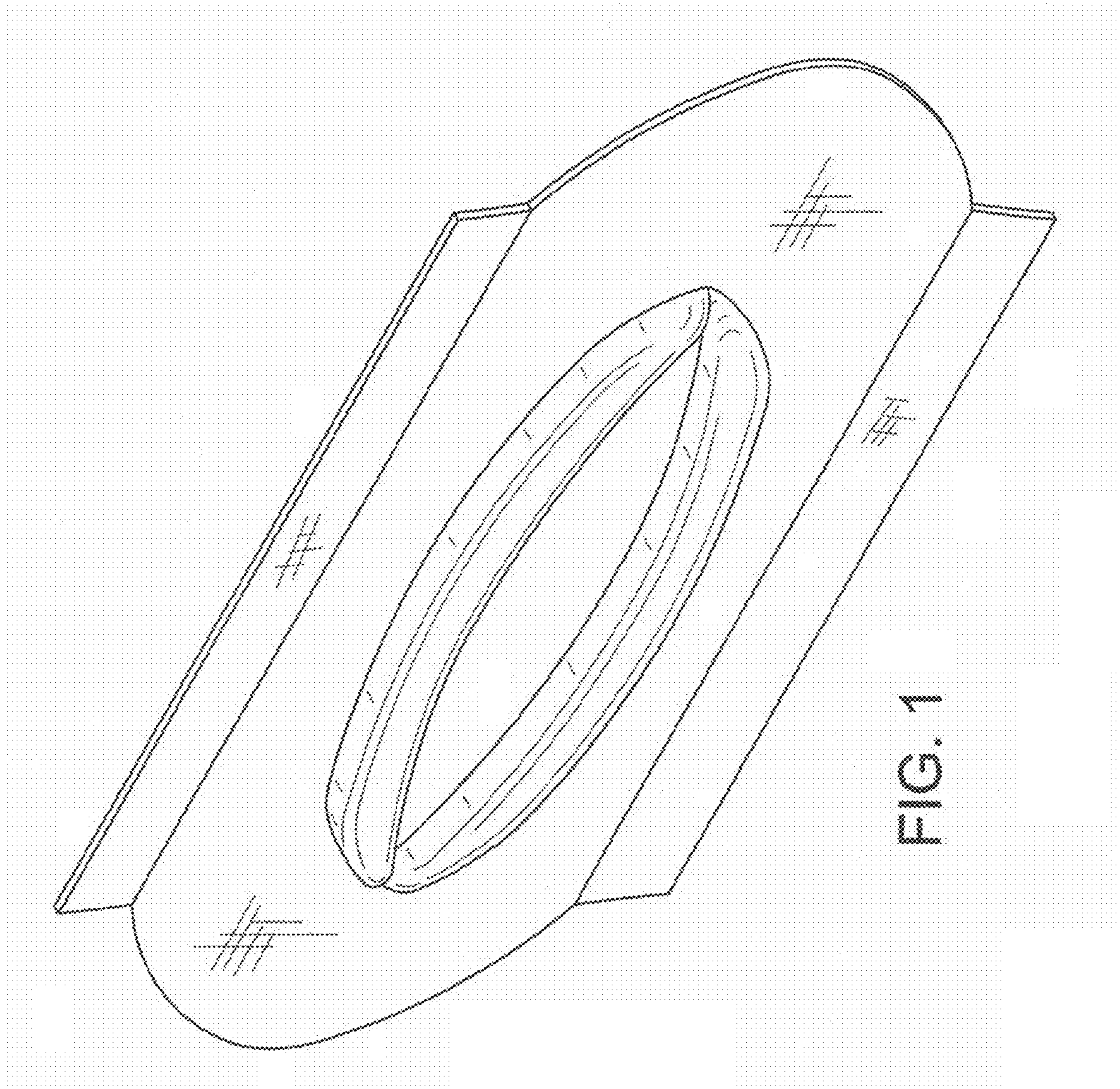


FIG. 1

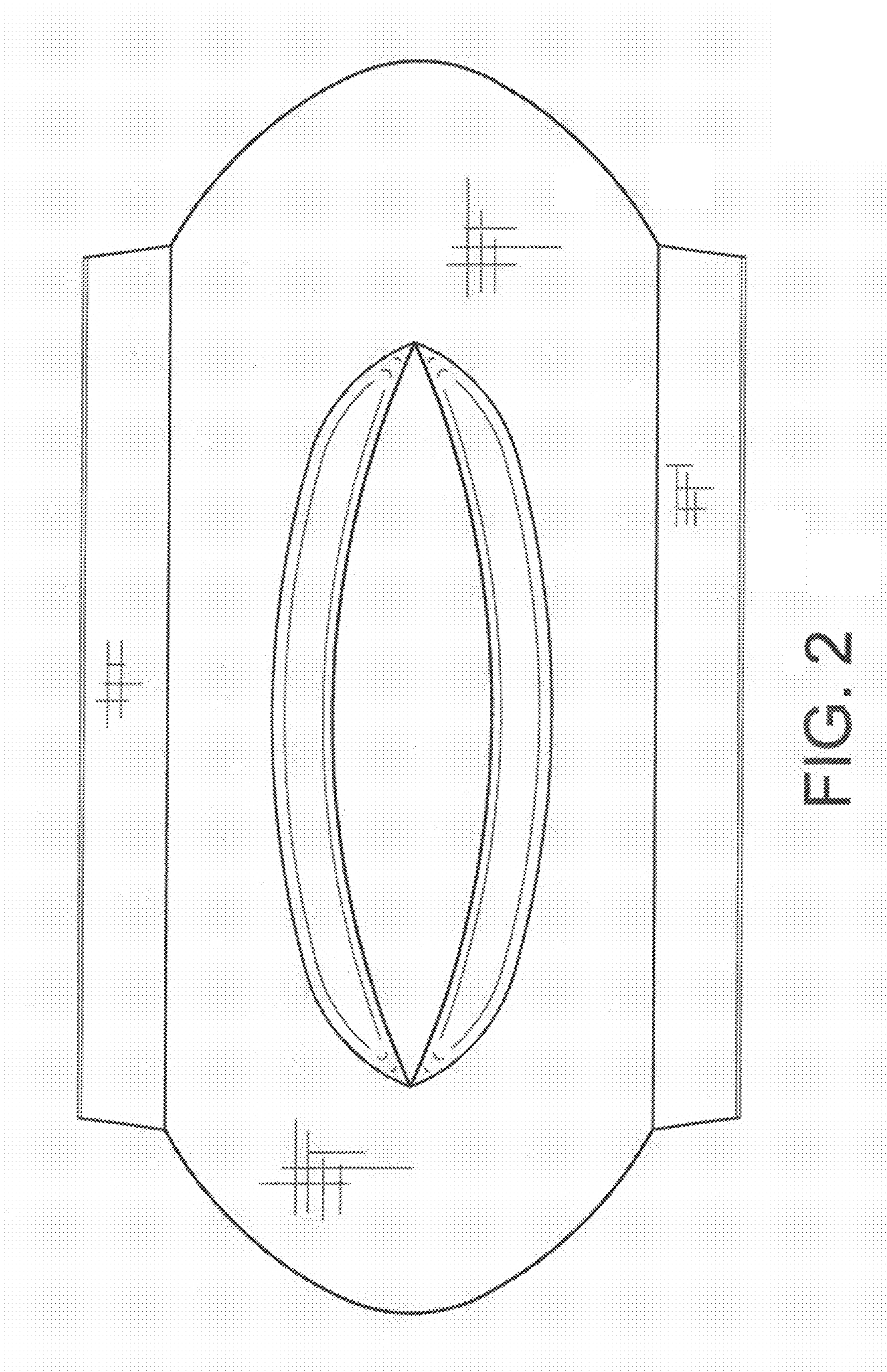


FIG. 2

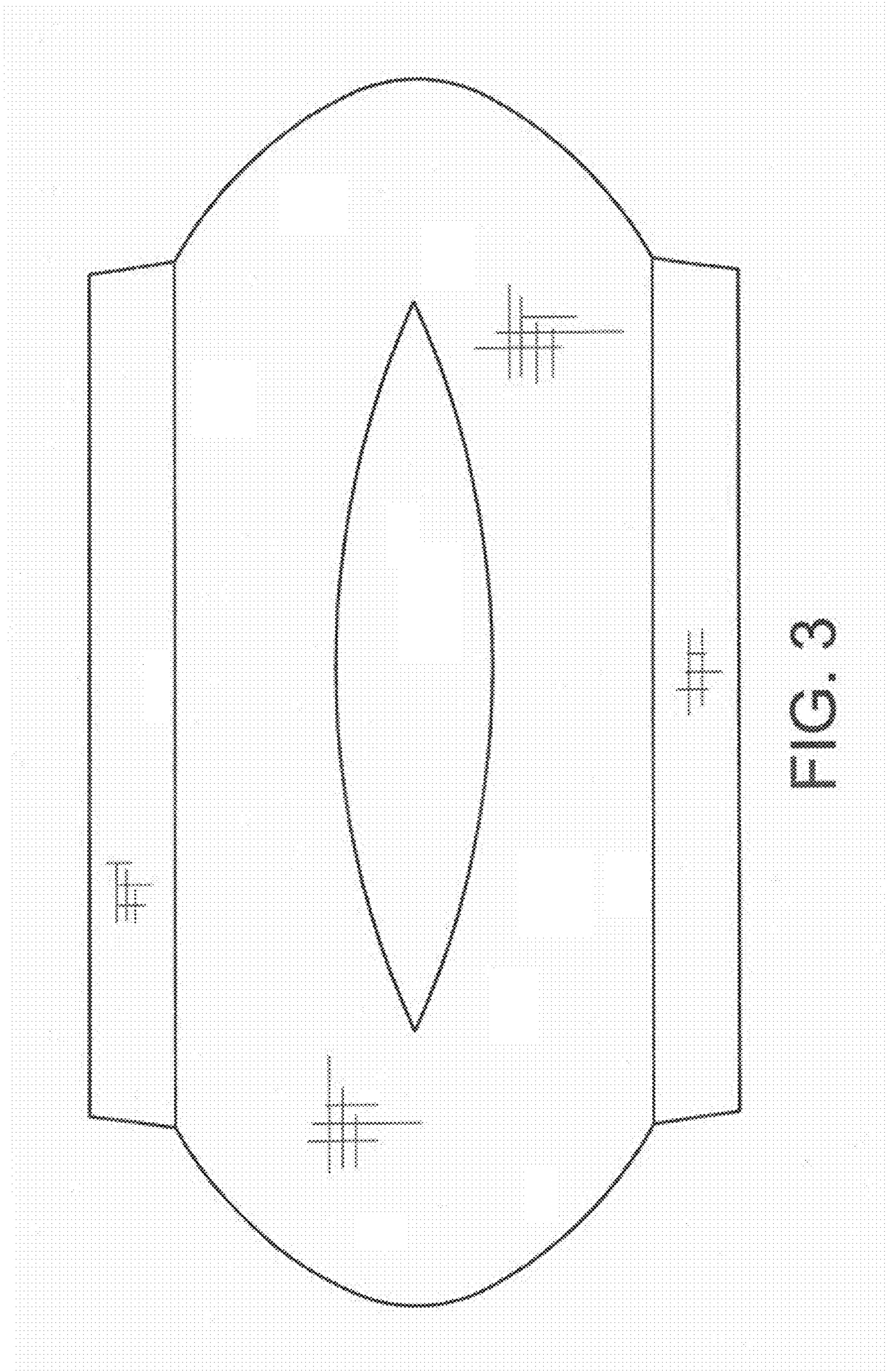


FIG. 3



FIG. 4



FIG. 5