



US00D646778S

(12) **United States Design Patent**
Brede et al.

(10) **Patent No.:** **US D646,778 S**
(45) **Date of Patent:** **** Oct. 11, 2011**

(54) **MAGNETIC SEPARATION APPARATUS**

(75) Inventors: **Gaute Brede**, Ranheim (NO); **Darren Ellis**, Lommedalen (NO); **Tine Hildisch**, Oslo (NO); **Jeremy (Jez) Mundy**, Fairford (GB); **Lars Nokleby**, Stabekk (NO); **Erlend Ragnhildstveit**, Oslo (NO); **Richard Toften**, Paradis (NO); **Kornelija Zgonc**, Carlsbad, CA (US)

(73) Assignee: **Life Technologies Corporation**, Carlsbad, CA (US)

(**) Term: **14 Years**

(21) Appl. No.: **29/388,118**

(22) Filed: **Mar. 24, 2011**

Related U.S. Application Data

(62) Division of application No. 29/305,042, filed on Mar. 12, 2008, now Pat. No. Des. 637,709.

(51) **LOC (9) Cl.** **24-02**

(52) **U.S. Cl.** **D24/107**

(58) **Field of Classification Search** D24/107, D24/108; 210/222, 232, 695; 422/101, 104
See application file for complete search history.

(56) **References Cited**

U.S. PATENT DOCUMENTS

5,567,326	A	10/1996	Ekenberg et al.	
6,562,239	B2	5/2003	Foy et al.	
7,740,759	B2	6/2010	Su et al.	
D637,709	S *	5/2011	Brede et al.	D24/107

OTHER PUBLICATIONS

Application Serial No. 215253 Office Action Response—1 Month filed Sep. 8, 2008.

Application Serial No. 215254 Office Action Response—1 Month filed Sep. 8, 2008.

Application Serial No. 215255 Office Action Response filed Sep. 8, 2008.

2008-006211, Office Action mailed Jan. 16, 2009.

2008-006211, Response to Jan. 16, 2009 Office Action, filed Mar. 26, 2009.

2008-006212, Office Action mailed Jan. 16, 2009.

2008-006213, Office Action mailed Jan. 16, 2009.

200830007288.0, Office Action mailed Apr. 8, 2009.

200830007288.0, Response to Apr. 8, 2009 Office Action.

200830007289.5, Office Action mailed Dec. 24, 2008.

200830007289.5, Office Action mailed Jun. 24, 2009.

200830007289.5, Response to Jun. 24, 2009 Office Action filed Aug. 11, 2009.

200830007290.8, Office Action Received—1 Month Response.

200830007290.8, Response to Jan. 24, 2009 Office Action filed on May 13, 2009.

200830007291.2, Office Action mailed Feb. 4, 2009.

200830007291.2, Response to Feb. 4, 2009 Office Action filed May 8, 2009.

U.S. Appl. No. 29/305,042 Notice of Allowance mailed Dec. 29, 2010.

U.S. Appl. No. 29/305,042 Office Action mailed Sep. 21, 2010.

* cited by examiner

Primary Examiner — Lisa Lichtenstein

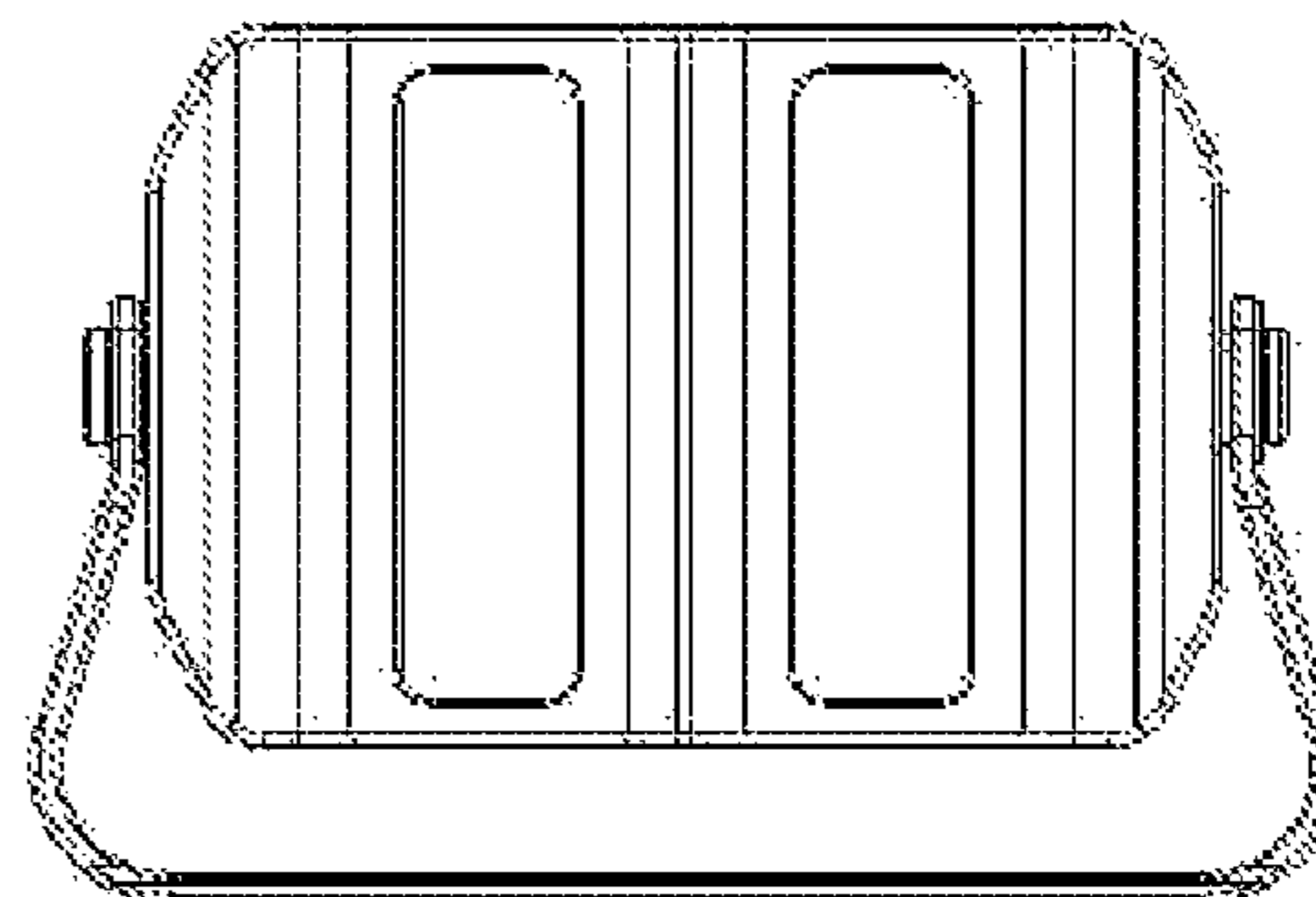
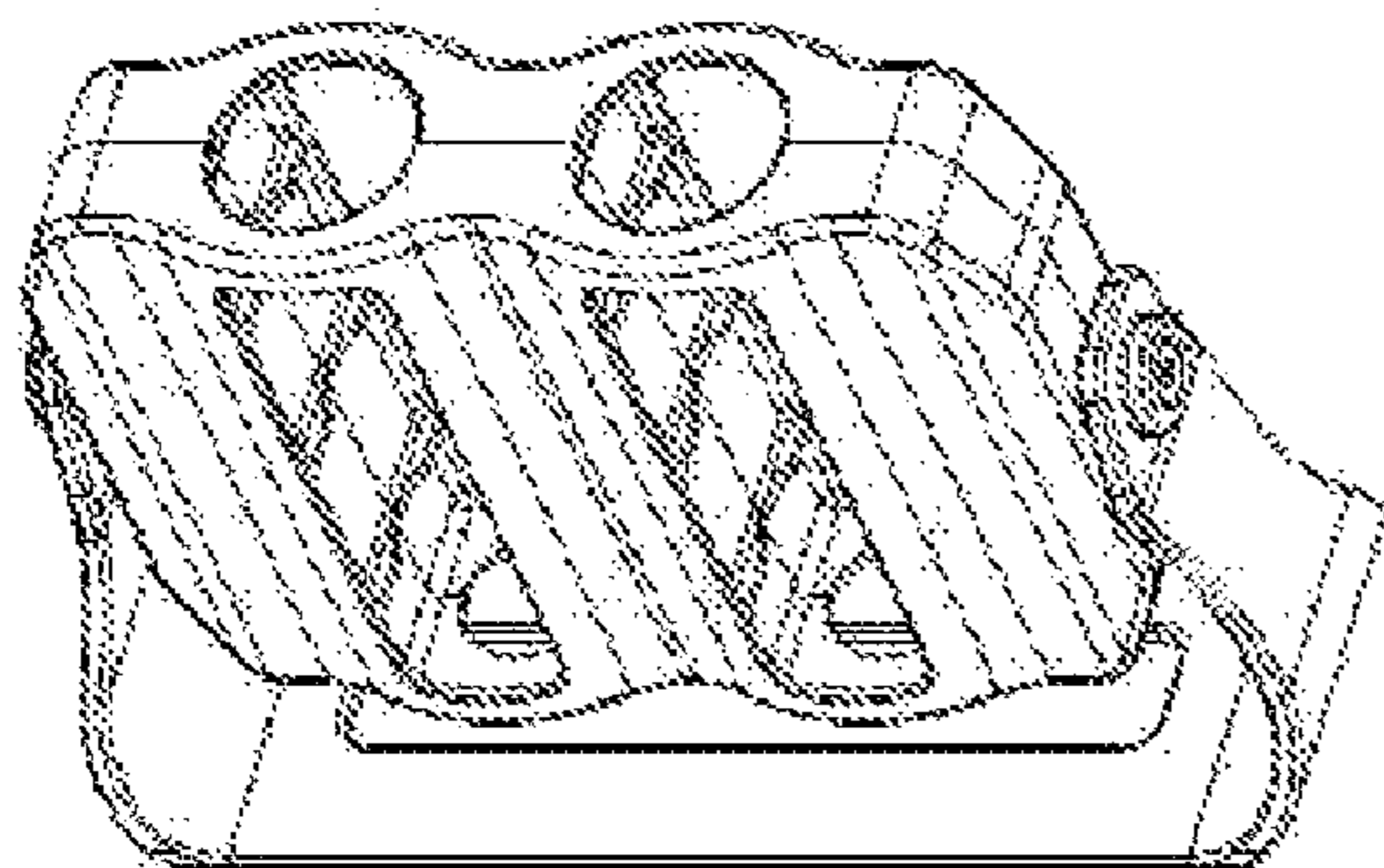
(57) **CLAIM**

The ornamental design for a magnetic separation apparatus, as shown and described.

DESCRIPTION

FIG. 1 is a top perspective view of a first embodiment; FIG. 2 is a front view of a first embodiment; FIG. 3 is an enlarged side view of a first embodiment; FIG. 4 is an enlarged top view of a first embodiment; and, FIG. 5 is a greatly enlarged bottom view of a first embodiment.

1 Claim, 2 Drawing Sheets



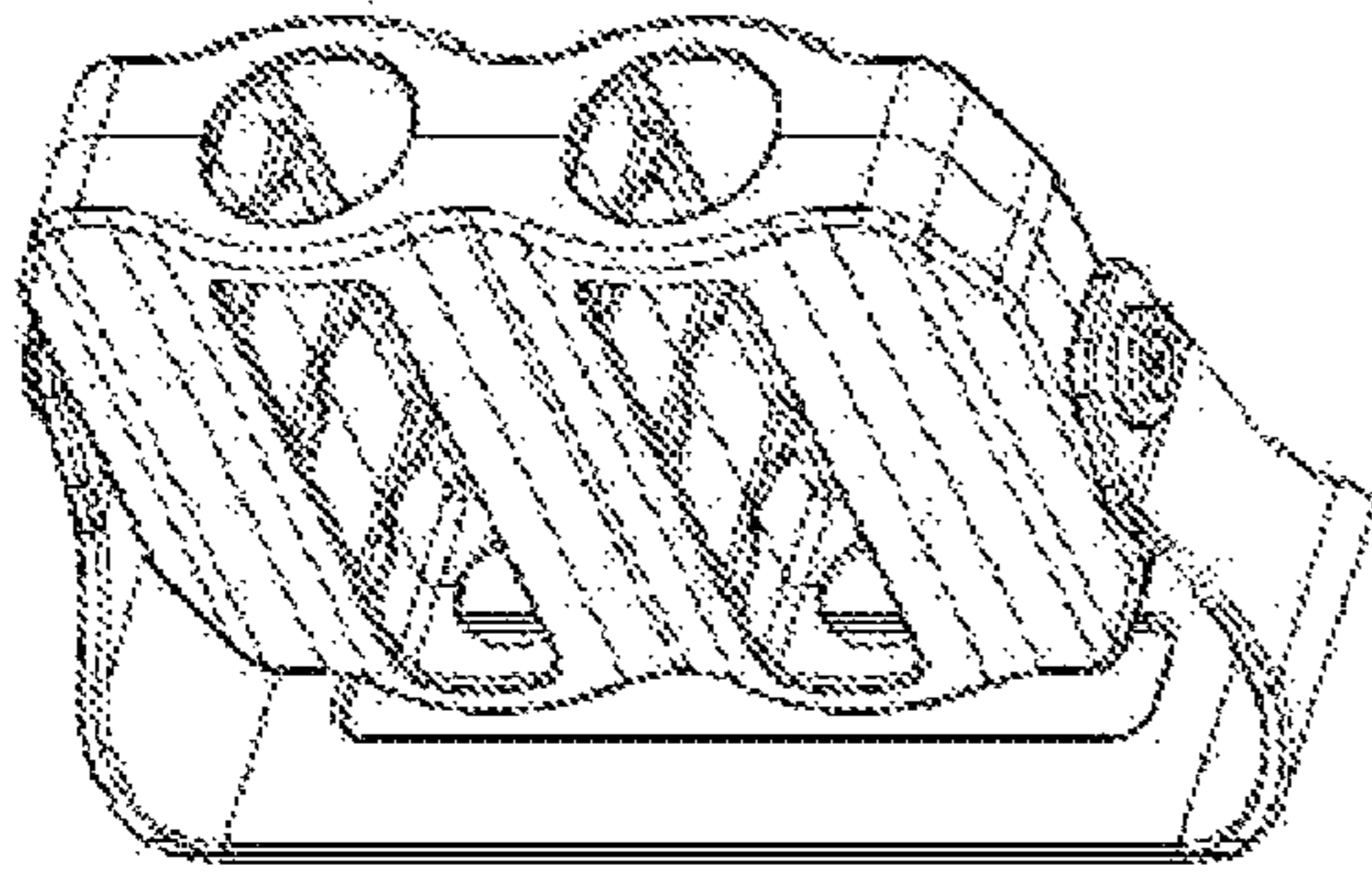


FIG. 1

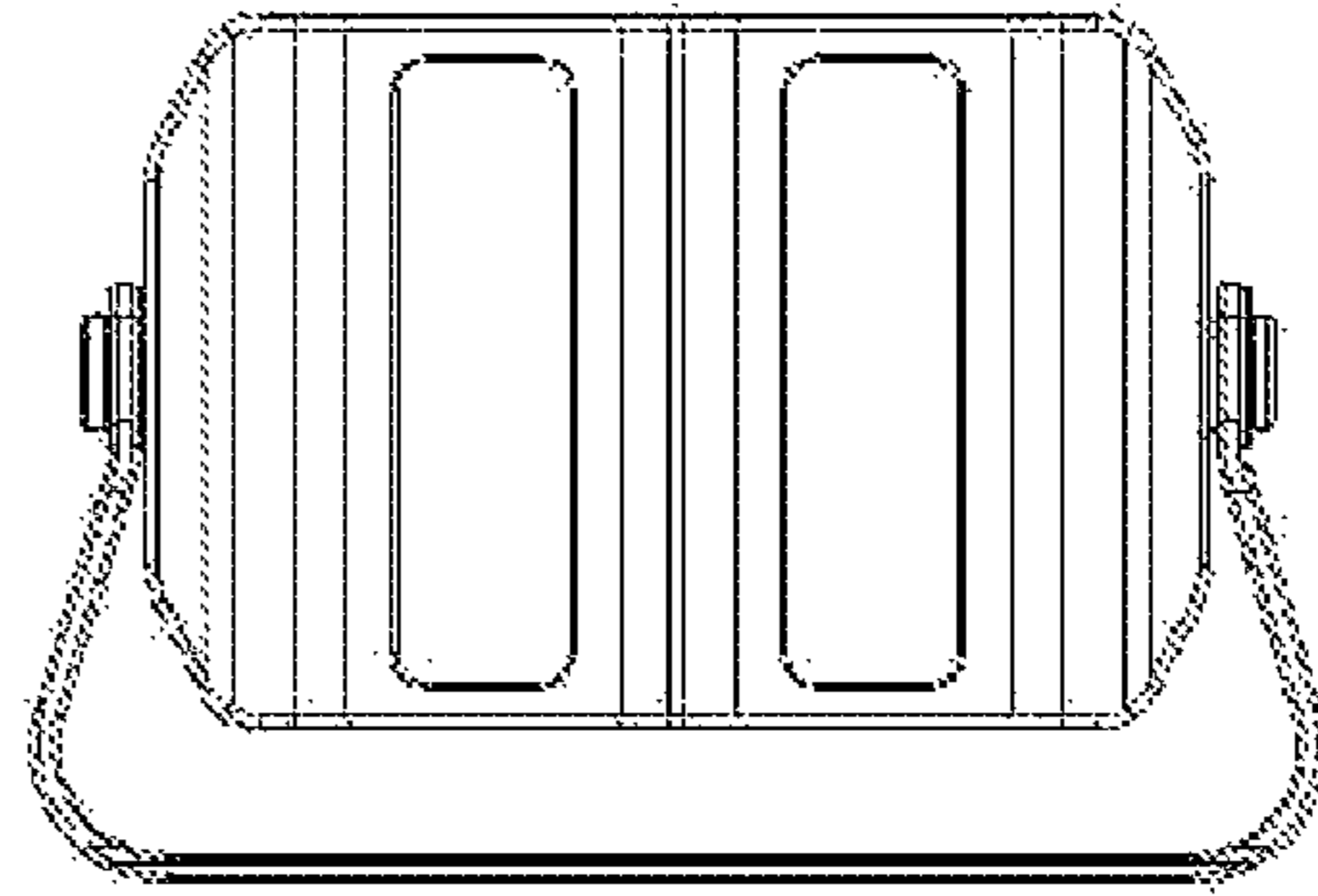


FIG. 2

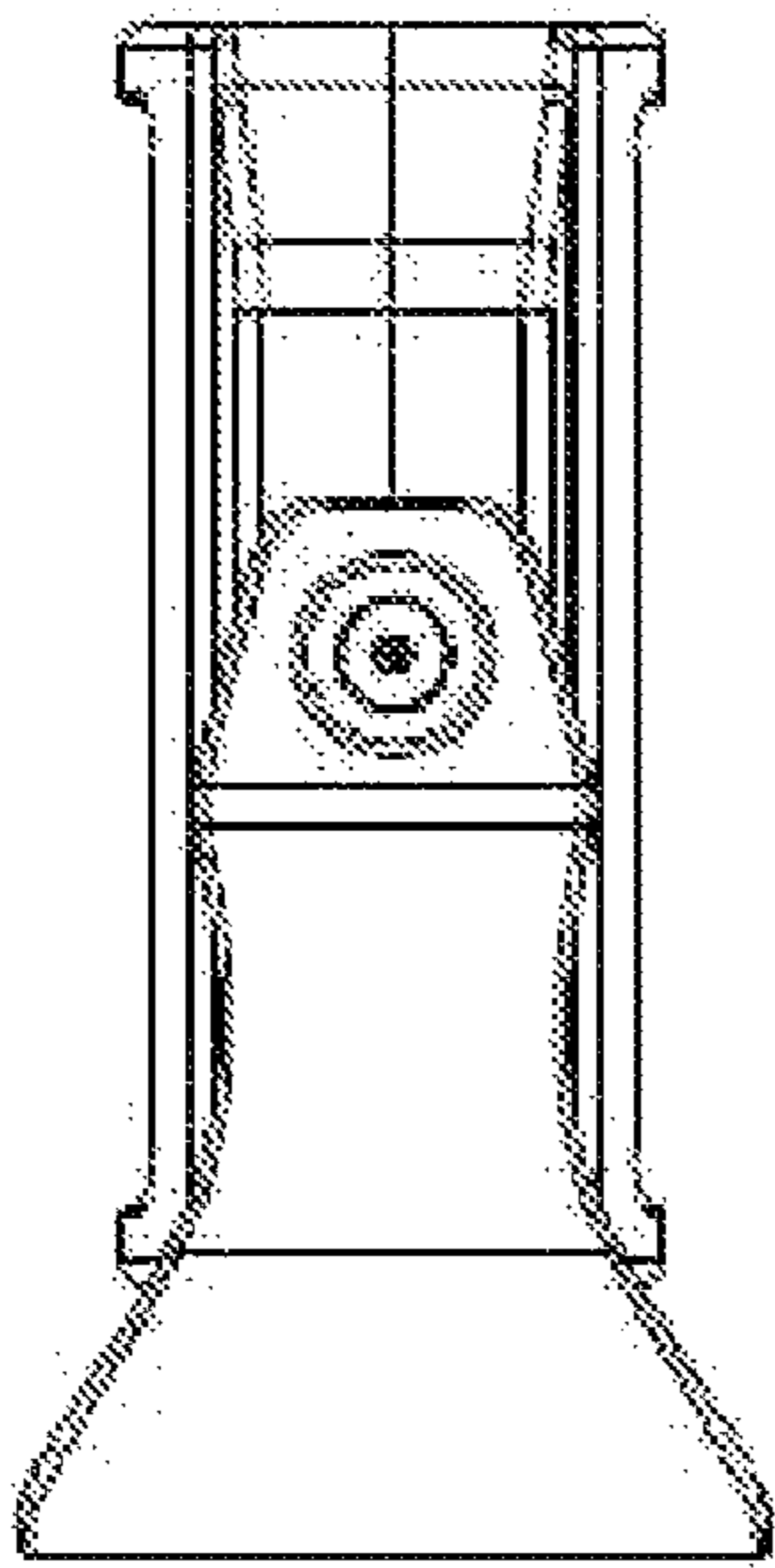


FIG. 3

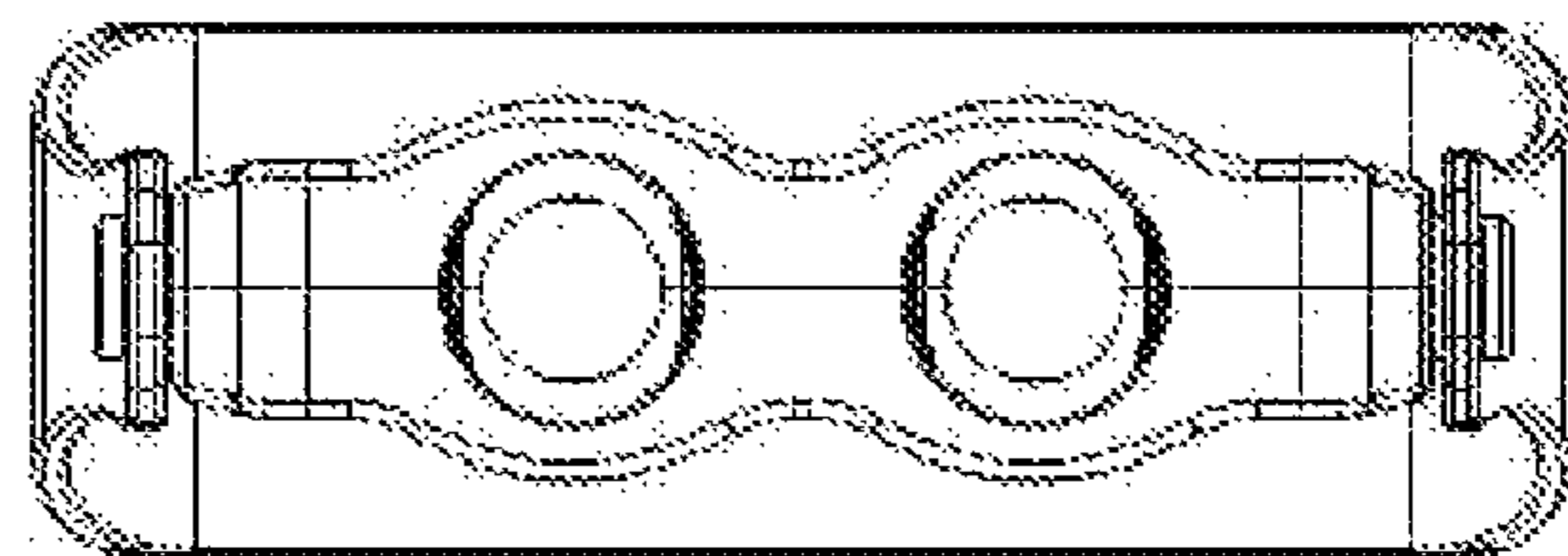


FIG. 4

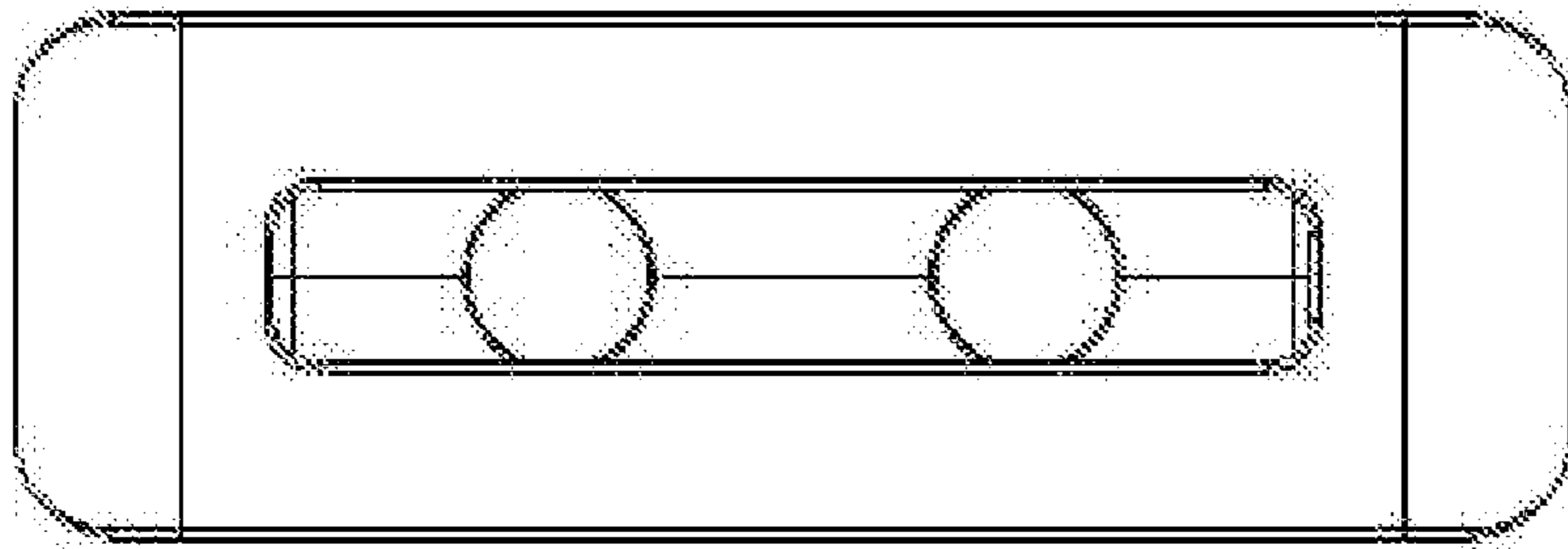


FIG. 5

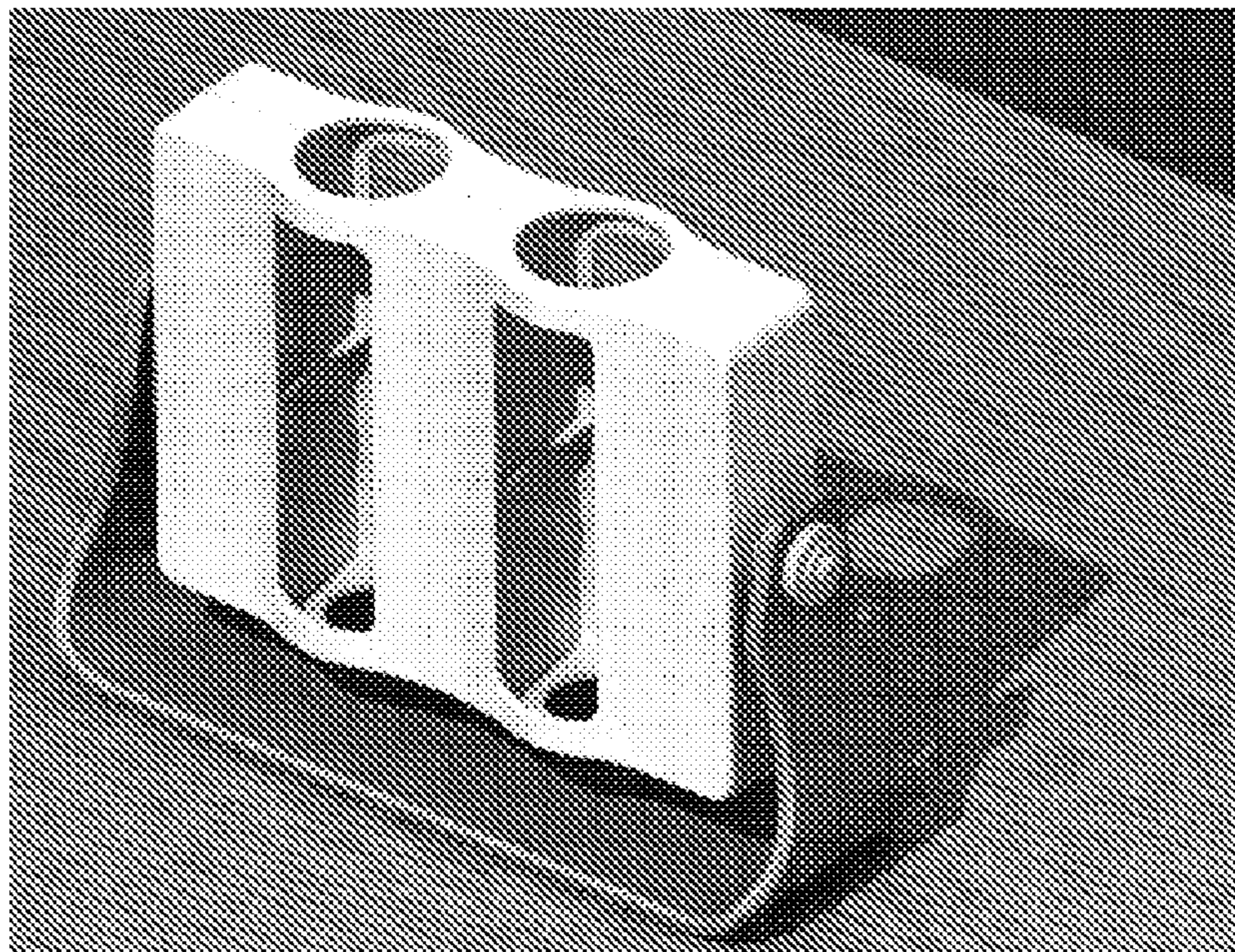


FIG. 6

UNITED STATES PATENT AND TRADEMARK OFFICE
CERTIFICATE OF CORRECTION

PATENT NO. : D646,778 S
APPLICATION NO. : 29/388118
DATED : October 11, 2011
INVENTOR(S) : Daren James Ellis et al.

Page 1 of 1

It is certified that error appears in the above-identified patent and that said Letters Patent is hereby corrected as shown below:

Title Page, Item (73) - Assignee should read as --INVITROGEN DYNAL AS--

Title Page, Item (62) Priority information - Cross-Reference to Related Applications Section should read as

--This application is a division of US Design Application No. 29/305,042 filed March 12, 2008, now issued as U.S. Patent D 637,709, which claims priority to EP Application No. 000788799-0001 filed September 12, 2007, EP Application No. 000788799-0002 filed September 12, 2007, EP Application No. 000788799-0003 filed September 12, 2007, and EP Application No. 000788799-0004 filed September 12, 2007, which disclosures are herein incorporated by reference in their entirety.--

Signed and Sealed this
Tenth Day of April, 2012



David J. Kappos
Director of the United States Patent and Trademark Office