



US00D646771S

(12) **United States Design Patent**  
**Boadella Esteve et al.**

(10) **Patent No.:** **US D646,771 S**  
(45) **Date of Patent:** **\*\* Oct. 11, 2011**

(54) **DIFFUSING EVAPORATOR OF VOLATILE SUBSTANCES**

(75) Inventors: **Oriol Boadella Esteve**, Cerdanyola del Vallés (ES); **Jose Antonio Luque Salcedo**, Cerdanyola del Vallés (ES)

(73) Assignee: **Zobeles Espana S.A.** (ES)

(\*\*) Term: **14 Years**

(21) Appl. No.: **29/377,861**

(22) Filed: **Oct. 27, 2010**

(30) **Foreign Application Priority Data**

Apr. 28, 2010 (EP) ..... 001701202-0002

(51) **LOC (9) Cl.** ..... **28-99**

(52) **U.S. Cl.** ..... **D23/366**

(58) **Field of Classification Search** ..... D23/355-369;  
D28/5, 6; 261/DIG. 17, DIG. 42, DIG. 65,  
261/DIG. 88, DIG. 89; 392/386, 390-395;  
239/34, 35, 44-47, 50, 53, 56, 60, 145, 326  
See application file for complete search history.

(56) **References Cited**

U.S. PATENT DOCUMENTS

D453,560 S \* 2/2002 Van Brunt ..... D23/355  
D535,735 S \* 1/2007 Ruiz Ballesteros et al. . D23/366

D548,318 S \* 8/2007 Copeman ..... D23/366  
D556,311 S \* 11/2007 Copeman ..... D23/366  
D561,319 S \* 2/2008 Weggelaar ..... D23/366  
D596,729 S \* 7/2009 Langley et al. .... D23/366  
D596,730 S \* 7/2009 Langley et al. .... D23/366  
D628,283 S \* 11/2010 Valentino et al. .... D23/366

\* cited by examiner

*Primary Examiner* — Sandra Snapp

(74) *Attorney, Agent, or Firm* — Cantor Colburn LLP

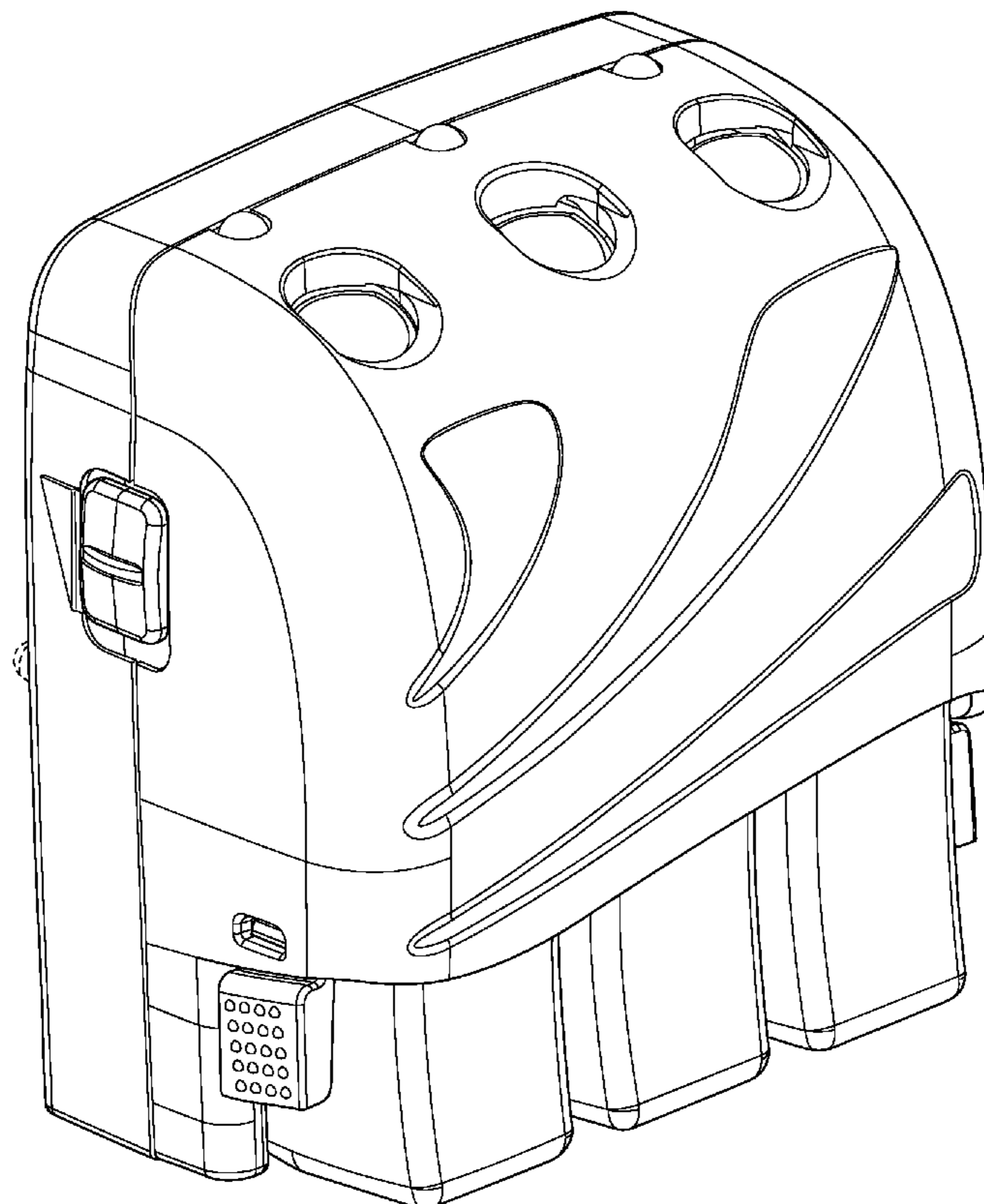
(57) **CLAIM**

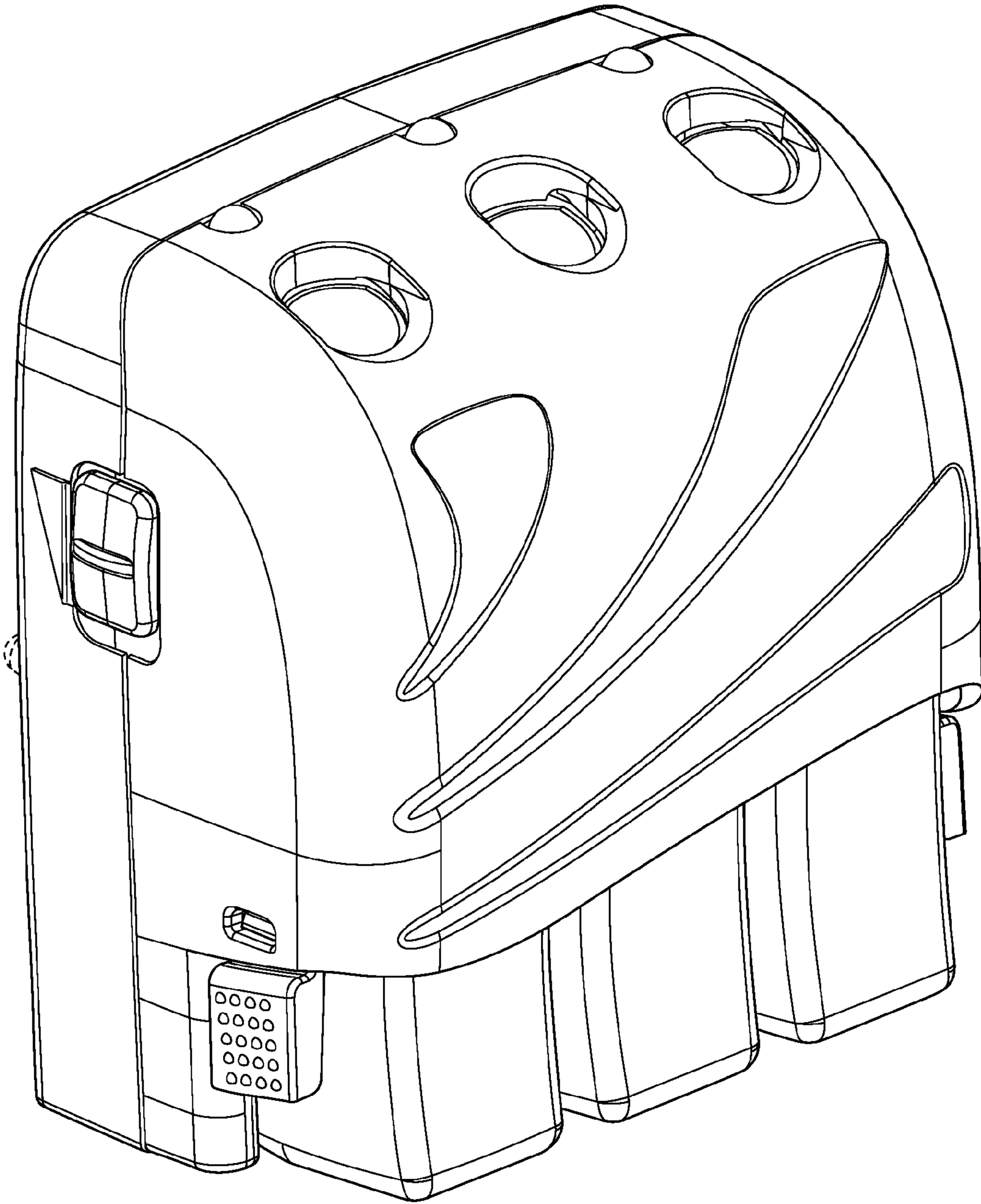
We claim, the ornamental design for a diffusing evaporator of volatile substances, as shown and described.

**DESCRIPTION**

FIG. 1 is a front perspective view of a diffusing evaporator of volatile substances, showing our new design;  
FIG. 2 is a front elevation view thereof;  
FIG. 3 is a side elevation view thereof taken from the left of FIG. 2;  
FIG. 4 is a top plan view thereof;  
FIG. 5 is a side elevation view thereof taken from the right of FIG. 2; and,  
FIG. 6 is a bottom plan view thereof.  
The broken lines shown in the drawings are for illustrative purposes only and form no part of the claimed invention.

**1 Claim, 6 Drawing Sheets**





**FIG. 1**

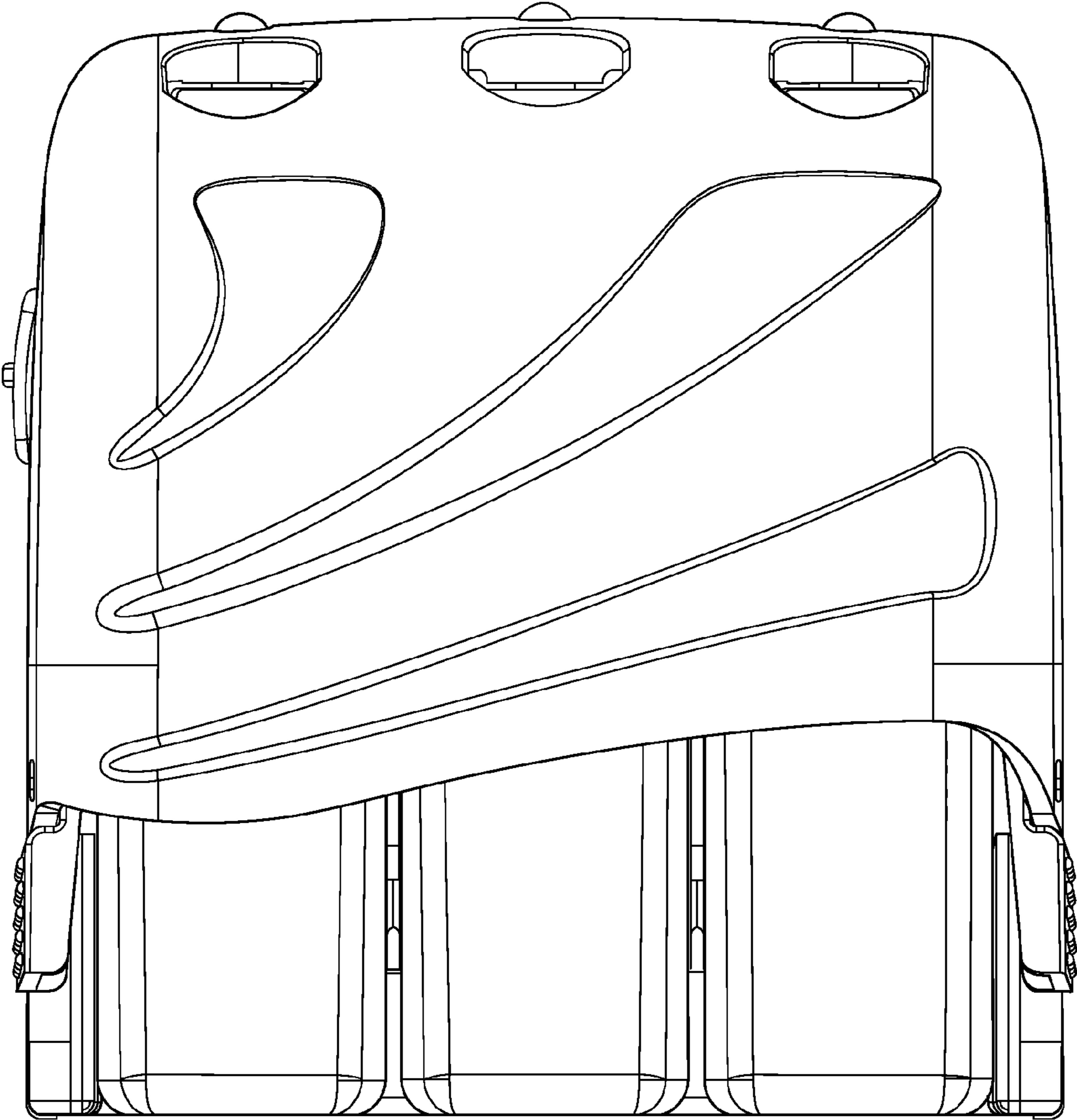
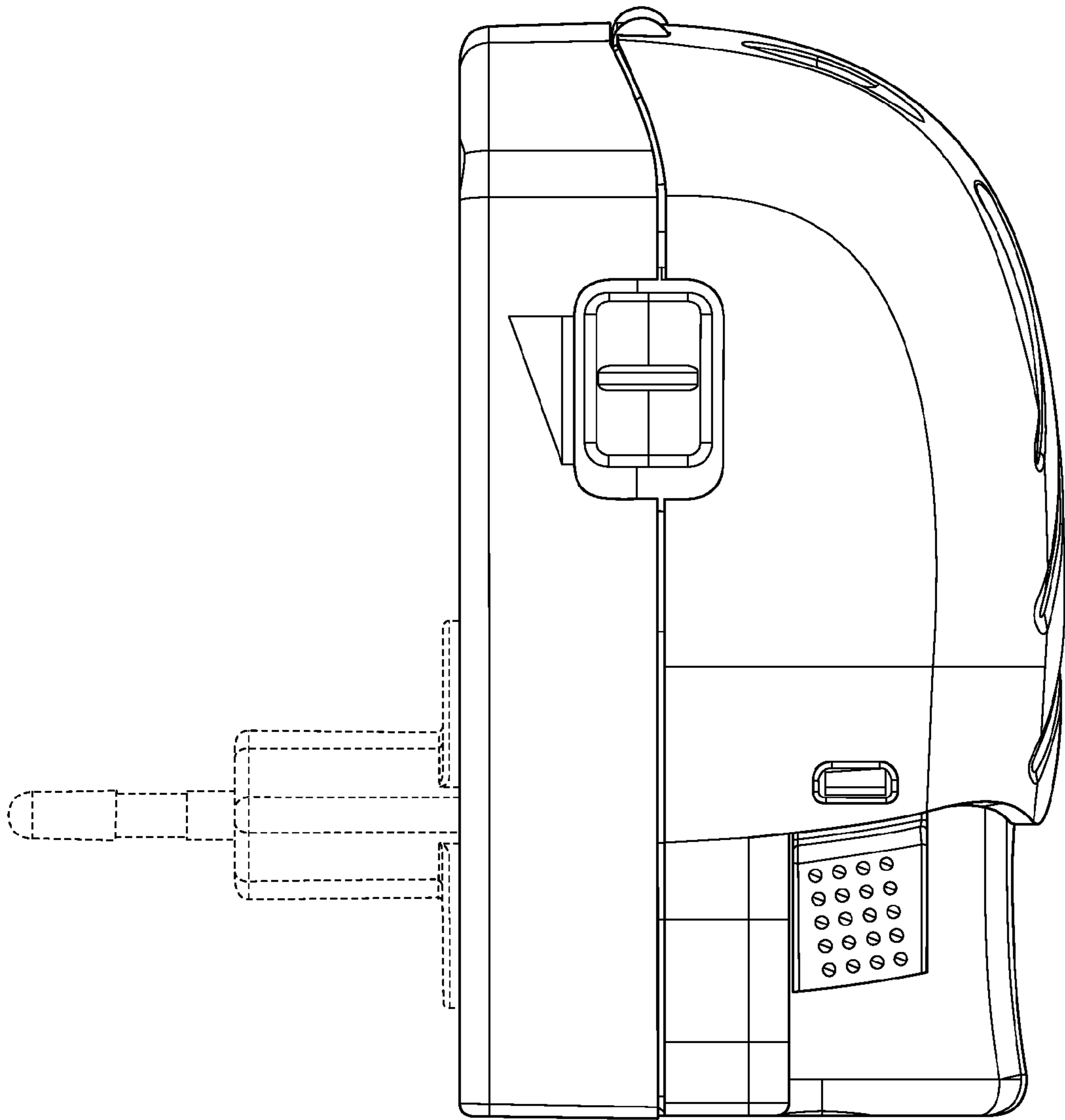
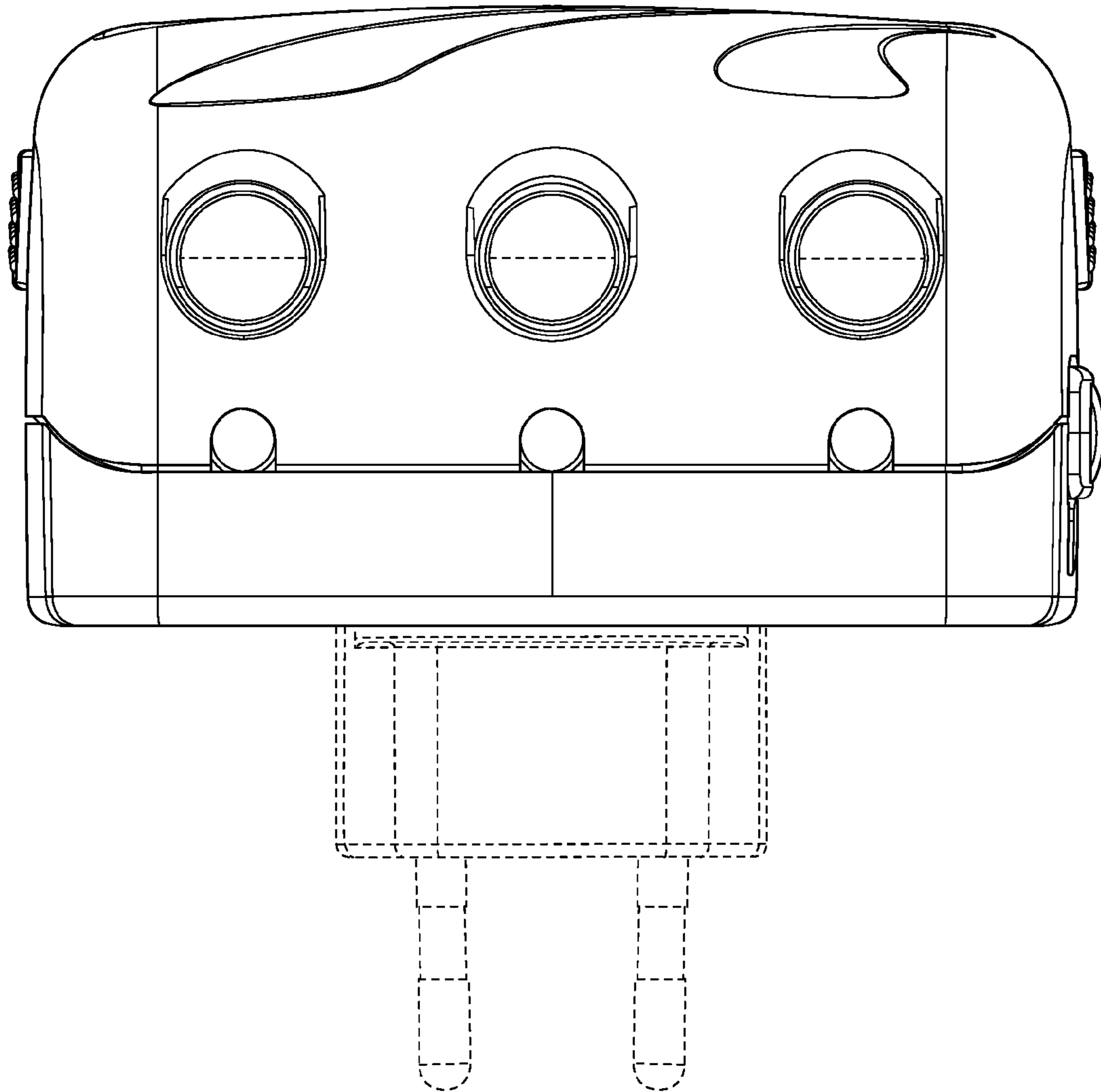


FIG. 2



**FIG. 3**



**FIG. 4**

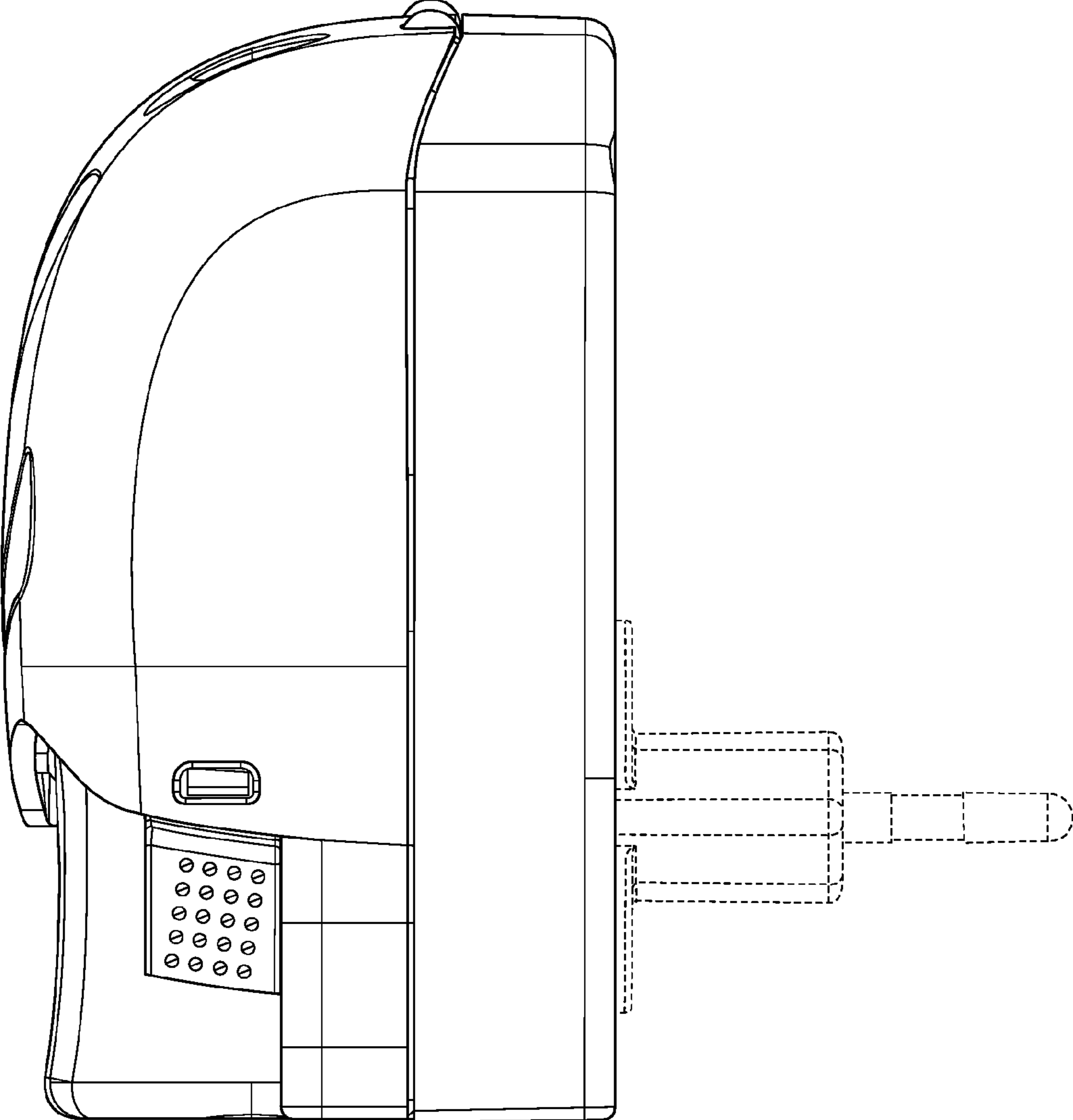
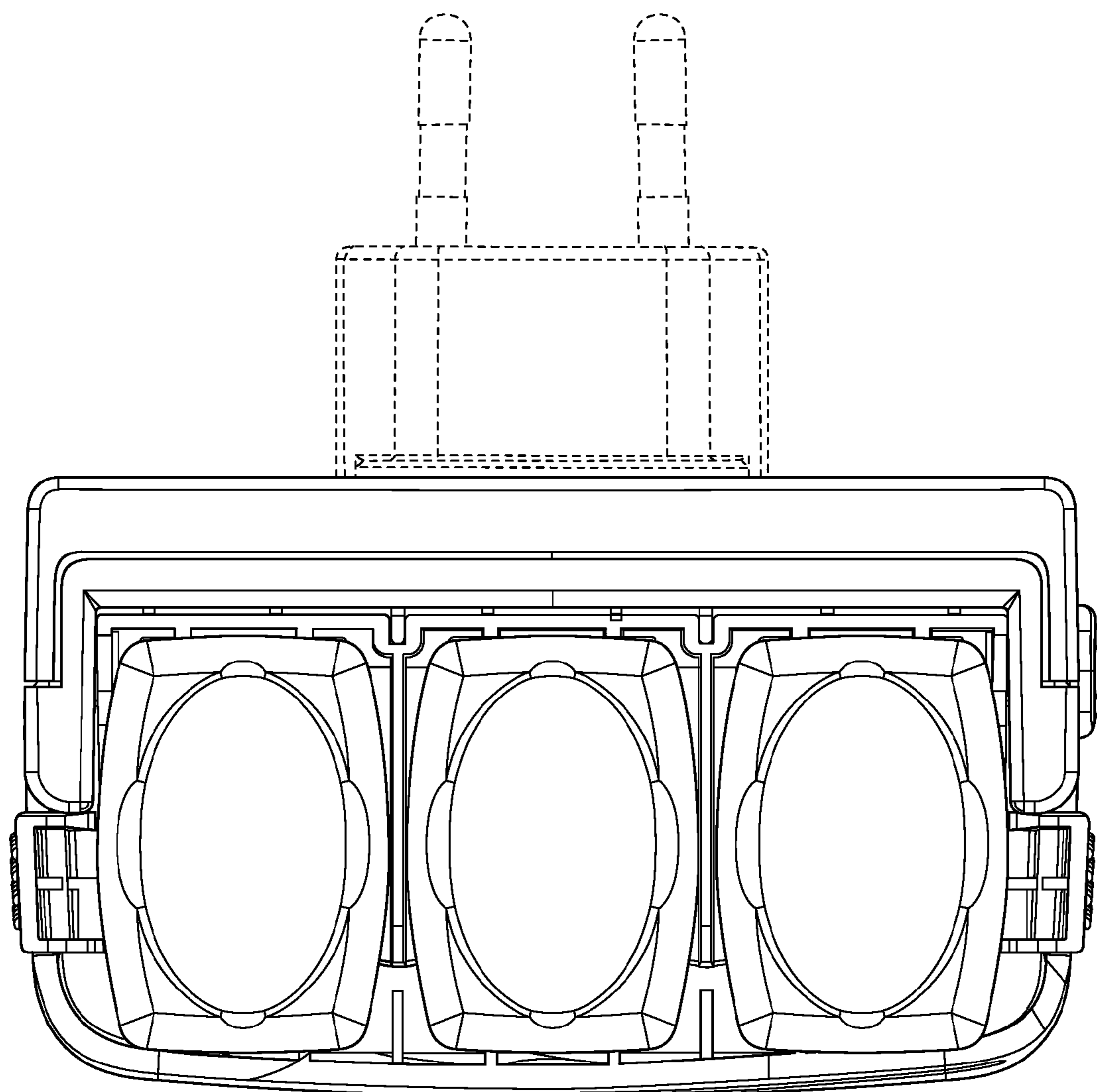


FIG. 5



**FIG. 6**