



US00D646769S

(12) **United States Design Patent**
Angel et al.

(10) **Patent No.:** **US D646,769 S**

(45) **Date of Patent:** **** Oct. 11, 2011**

(54) **REFRIGERATOR ODOR ABSORBER**

(75) Inventors: **Bruce A. Angel**, Stokesdale, NC (US);
Anthony D. Moore, Summerfield, NC
(US)

(73) Assignee: **Camco Manufacturing, Inc.**,
Greensboro, NC (US)

(**) Term: **14 Years**

(21) Appl. No.: **29/373,462**

(22) Filed: **Apr. 12, 2011**

(51) **LOC (9) Cl.** **28-99**

(52) **U.S. Cl.** **D23/366**

(58) **Field of Classification Search** D23/355-369;
D28/5, 6; 261/DIG. 17, DIG. 42, DIG. 65,
261/DIG. 88, DIG. 89; 392/386, 390, 391,
392/392, 393, 394, 395; 239/34, 35, 44-47,
239/50, 53, 56, 60, 145, 326

See application file for complete search history.

(56) **References Cited**

U.S. PATENT DOCUMENTS

D55,446	S	*	6/1920	Wygold	D23/356
1,380,208	A	*	5/1921	Holtschneider	239/59
D316,750	S	*	5/1991	Savastano	D23/365
5,478,505	A		12/1995	Foreman		
D384,408	S	*	9/1997	Foreman	D23/368
D385,025	S	*	10/1997	Ho	D23/367
D389,565	S	*	1/1998	Scheuer et al.	D23/368
D415,265	S	*	10/1999	Pendergast et al.	D23/356
D415,266	S	*	10/1999	Glattstein	D23/356
D449,878	S	*	10/2001	Bjersten	D23/365
D507,341	S	*	7/2005	Taylor	D23/368

D508,559	S	*	8/2005	Spiegel et al.	D23/366
D588,688	S		3/2009	Lablaine		
D594,953	S	*	6/2009	King et al.	D23/366
7,770,817	B2	*	8/2010	Macor	239/34
D637,705	S	*	5/2011	Park et al.	D23/360
2011/0031330	A1	*	2/2011	Griese et al.	239/60

OTHER PUBLICATIONS

Ref. No. 1, Fridge It Wafer Odor Absorber, 2 pages, Innofresh Products Inc. website (www.shop.innofresh.com), Mar. 2, 2011.

Ref. No. 2, Fridge It Cube Odor Eliminator, 1 page, Innofresh Products Inc. website (www.fridgeit.com), Mar. 2, 2011.

Ref. No. 3, Fridge Aid Deodorizer Frigidaire Company, (P/N 78956), 2 pgs, AP Wagner Appliance Parts website(www.apwagner.com), Mar. 2, 2011.

* cited by examiner

Primary Examiner — Sandra Snapp

(57) **CLAIM**

The ornamental design for a refrigerator odor absorber, as shown and described.

DESCRIPTION

FIG. 1 is a front, top right perspective view of a refrigerator odor absorber according to the invention;

FIG. 2 is a rear, top left perspective view according to the invention;

FIG. 3 is a front elevational view according to the invention;

FIG. 4 is a rear elevational view according to the invention;

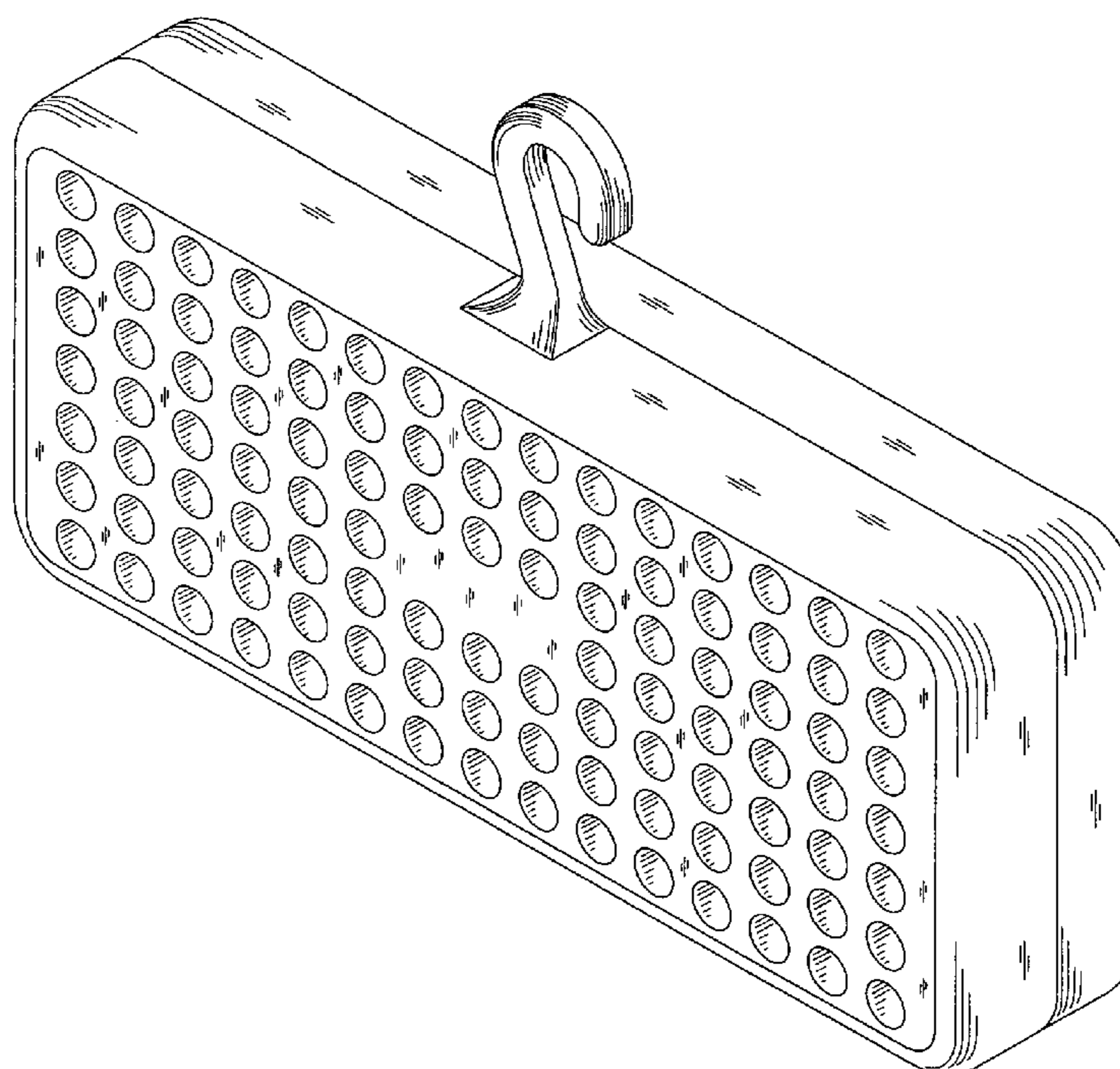
FIG. 5 is a right elevational view according to the invention;

FIG. 6 is a left elevational view according to the invention;

FIG. 7 is a top plan view according to the invention; and,

FIG. 8 is a bottom plan view according to the invention.

1 Claim, 4 Drawing Sheets



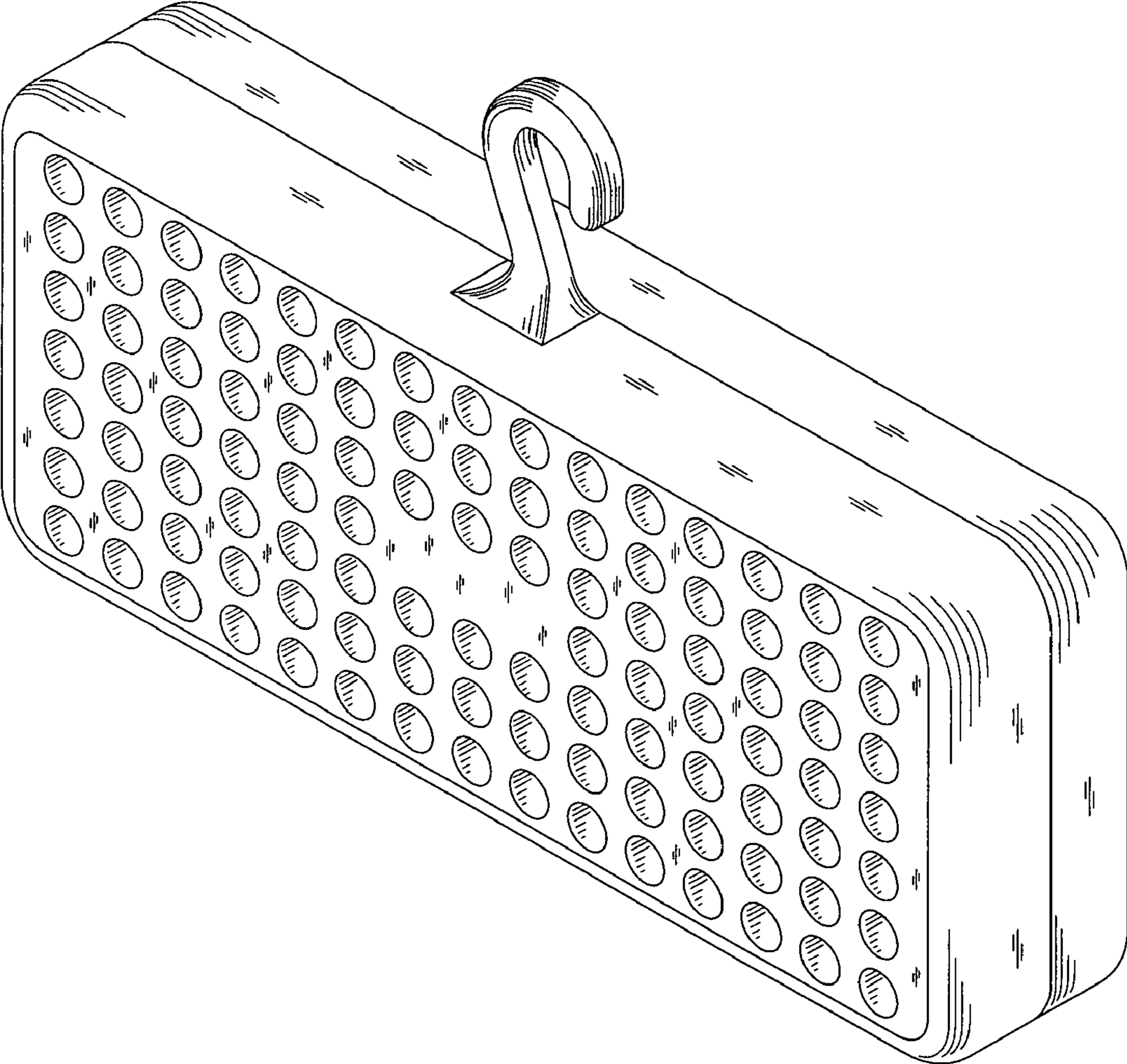


FIG. 1

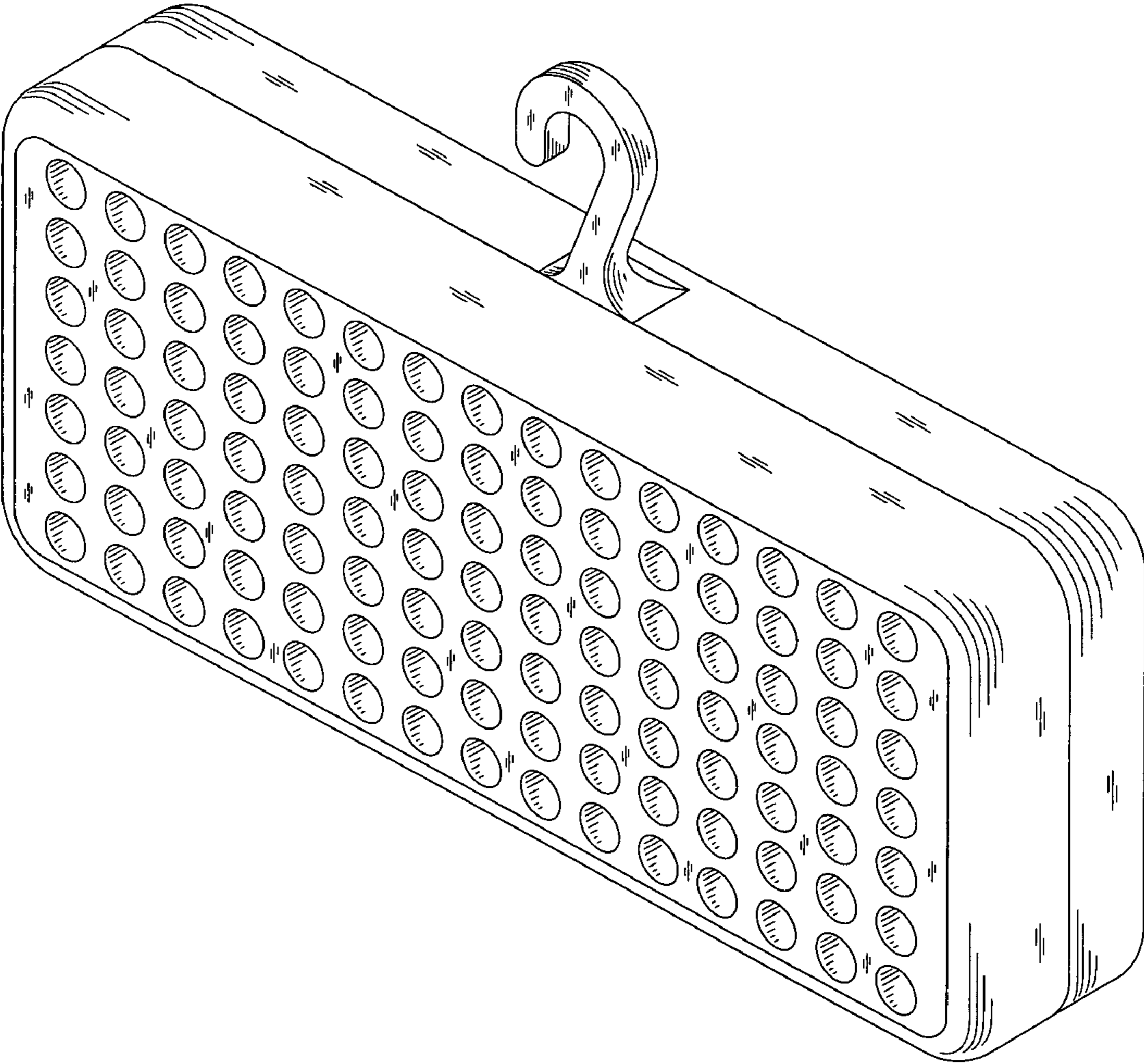


FIG. 2

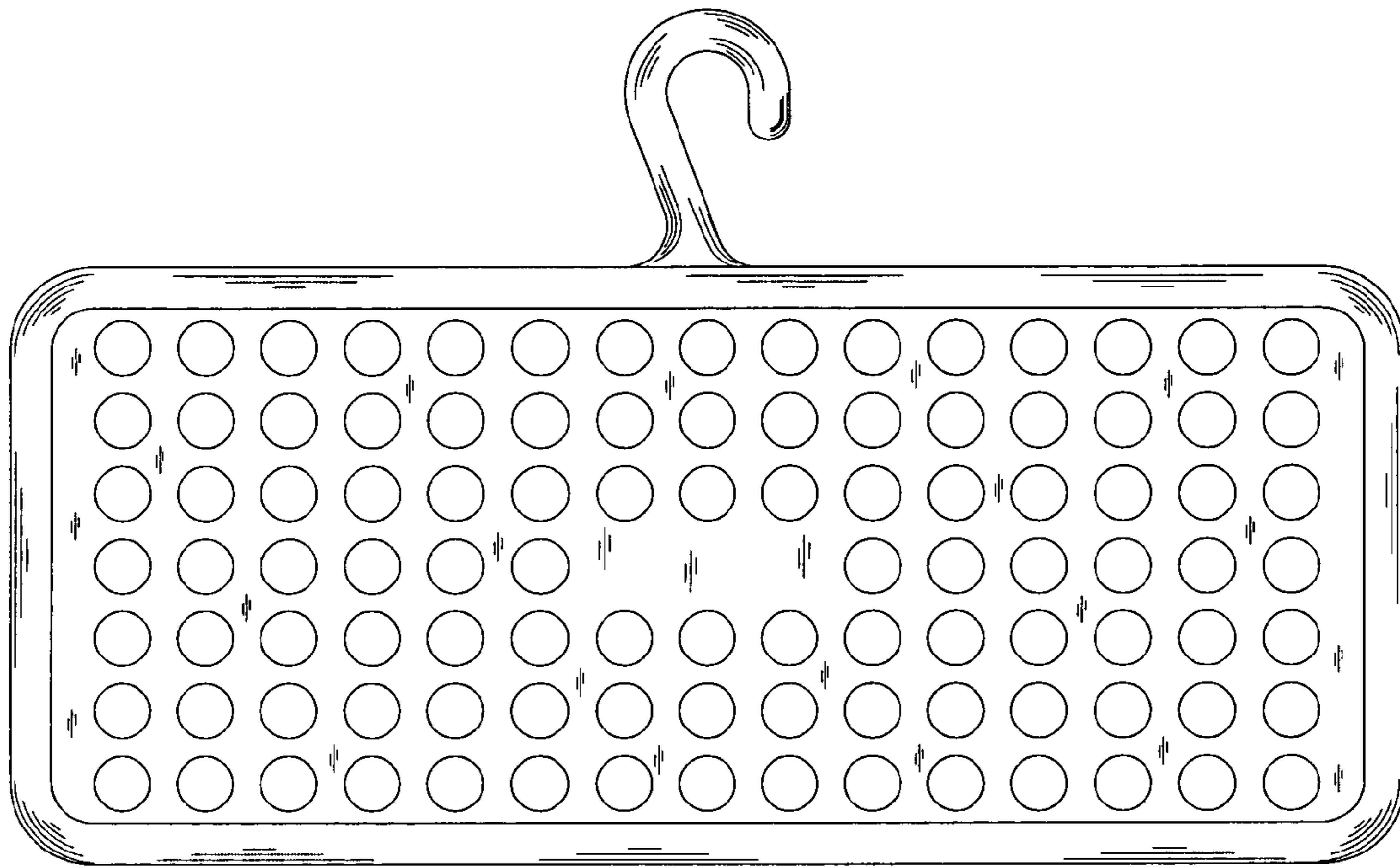


FIG. 3

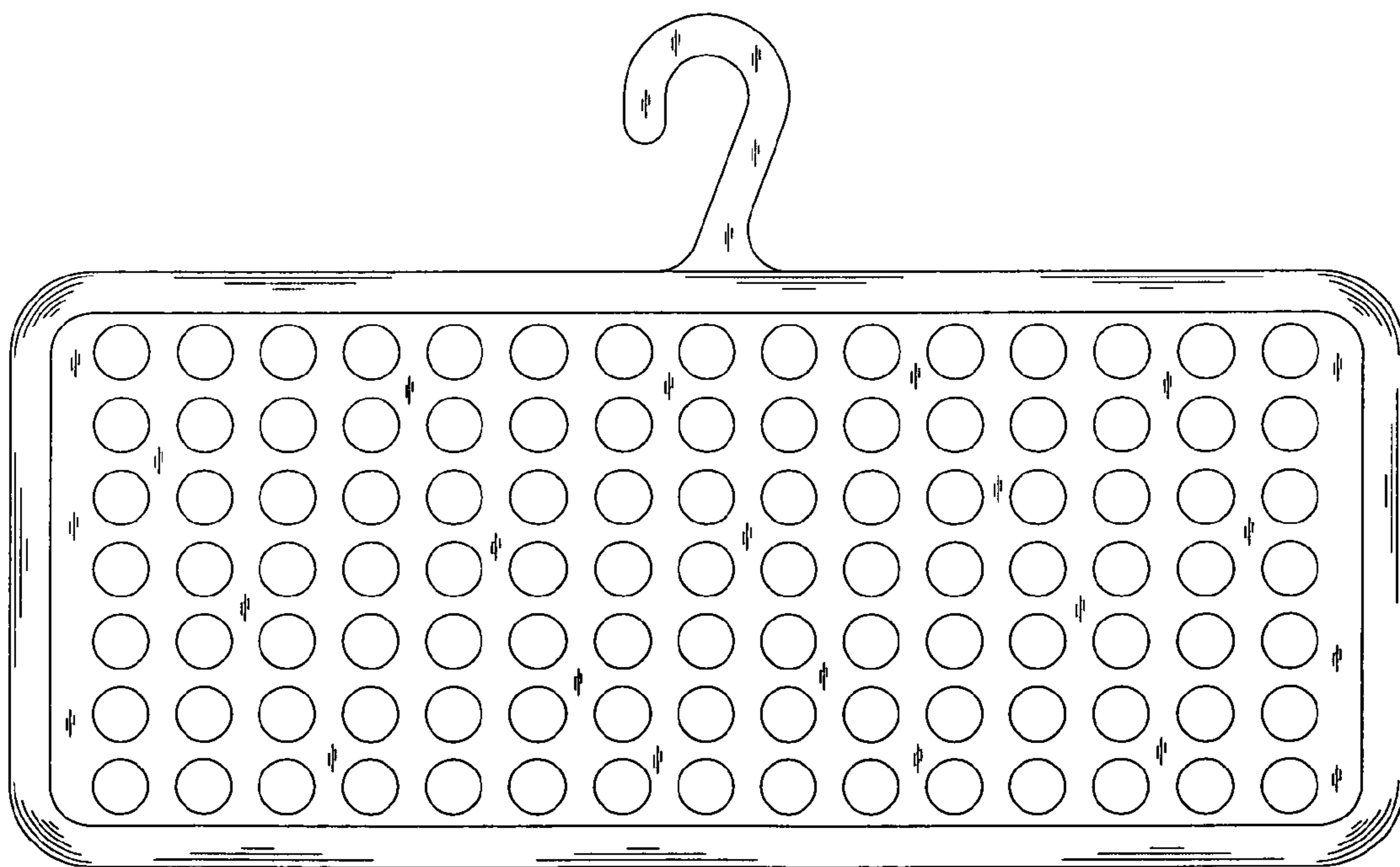


FIG. 4

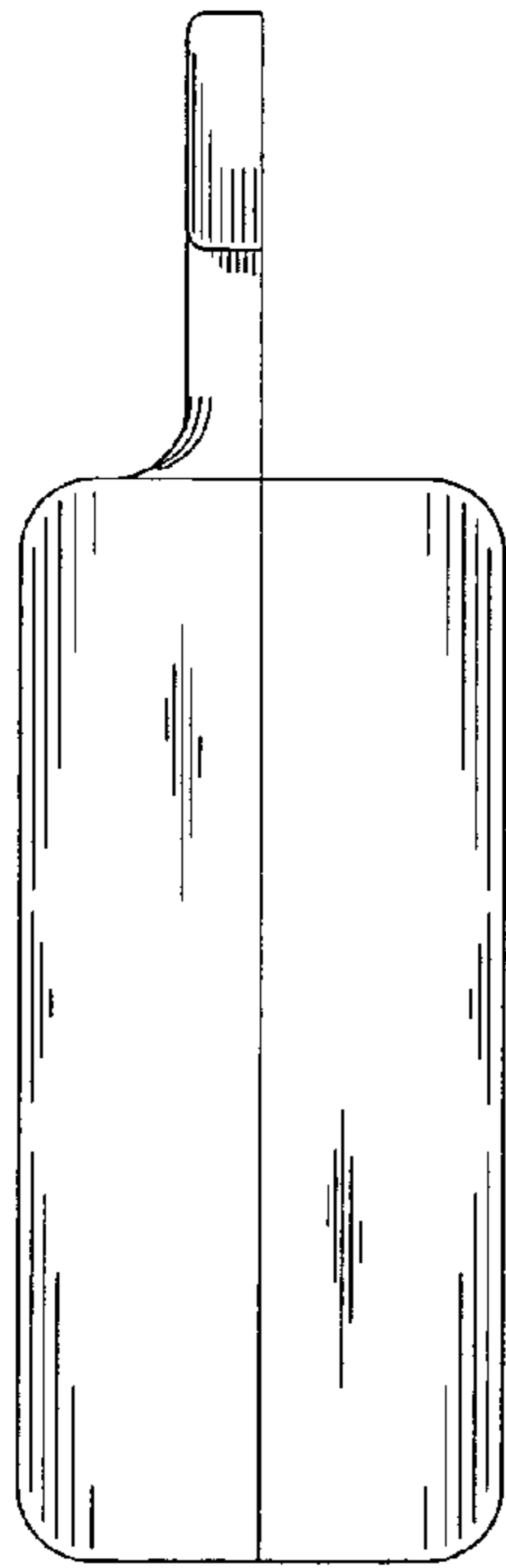


FIG. 5

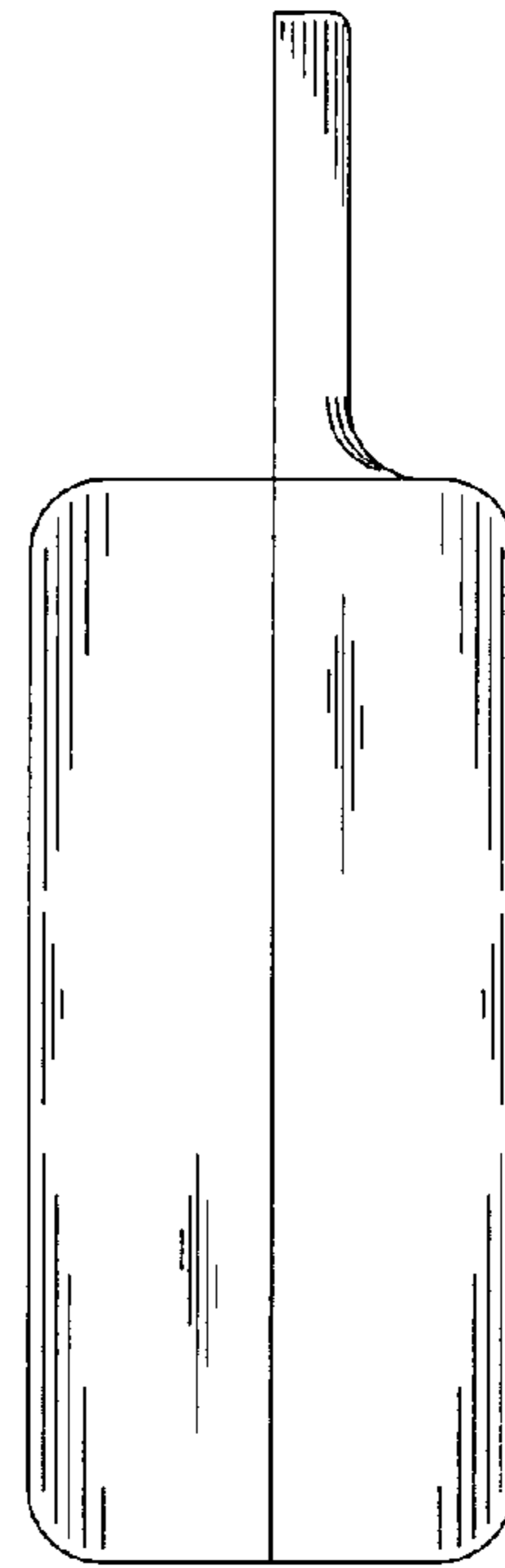


FIG. 6

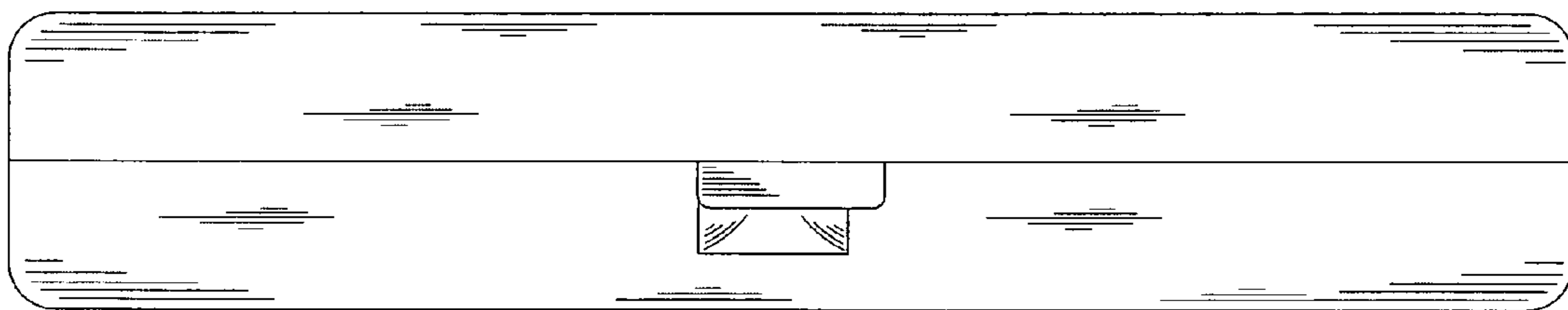


FIG. 7

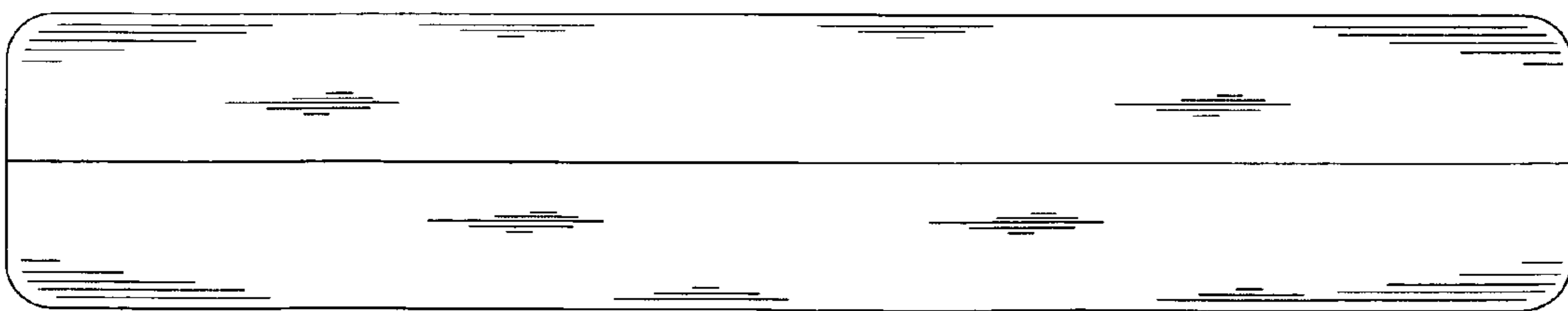


FIG. 8