



US00D646766S

(12) **United States Design Patent**
Gilbert

(10) **Patent No.:** **US D646,766 S**

(45) **Date of Patent:** **** Oct. 11, 2011**

(54) **GRAB BAR**

(75) Inventor: **Christopher Jon Gilbert**, Moreland Hills, OH (US)

(73) Assignee: **Moen Incorporated**, North Olmsted, OH (US)

(**) Term: **14 Years**

(21) Appl. No.: **29/384,433**

(22) Filed: **Jan. 31, 2011**

(51) **LOC (9) Cl.** **23-01**

(52) **U.S. Cl.** **D23/304; D6/574; D6/533**

(58) **Field of Classification Search** D23/283,
D23/280.2, 303-304; 4/571.1, 573.1; D6/546,
D6/548-550, 525, 527

See application file for complete search history.

(56) **References Cited**

U.S. PATENT DOCUMENTS

| | | | | |
|---------------|--------|------------------------|-------|---------|
| D146,280 S * | 1/1947 | Goddard | | D6/574 |
| D256,746 S * | 9/1980 | Loveson | | D6/574 |
| 5,050,252 A * | 9/1991 | Cuttriss | | 4/576.1 |
| D373,699 S * | 9/1996 | Moon | | D6/574 |
| D397,898 S * | 9/1998 | Walters-Dowding et al. | .. | D6/525 |
| D418,341 S | 1/2000 | Carville et al. | | |
| D458,791 S | 6/2002 | Harwanko | | |
| D476,837 S * | 7/2003 | Hoernig | | D6/549 |
| D476,838 S | 7/2003 | Hoernig | | |

| | | | |
|--------------|---------|------------|--------------|
| D487,368 S | 3/2004 | Hoernig | |
| D520,287 S | 5/2006 | Sparkowski | |
| D540,089 S * | 4/2007 | Tau | D6/549 |
| D557,964 S | 12/2007 | Hoernig | |
| D568,656 S | 5/2008 | Kramer | |

OTHER PUBLICATIONS

Grab Bar Product, the grab bar product shown in the cited document was publicly available more than one year prior to Jan. 31, 2011, 1 page.

* cited by examiner

Primary Examiner — Robert Delehanty

(74) *Attorney, Agent, or Firm* — Calfee, Halter & Griswold LLP

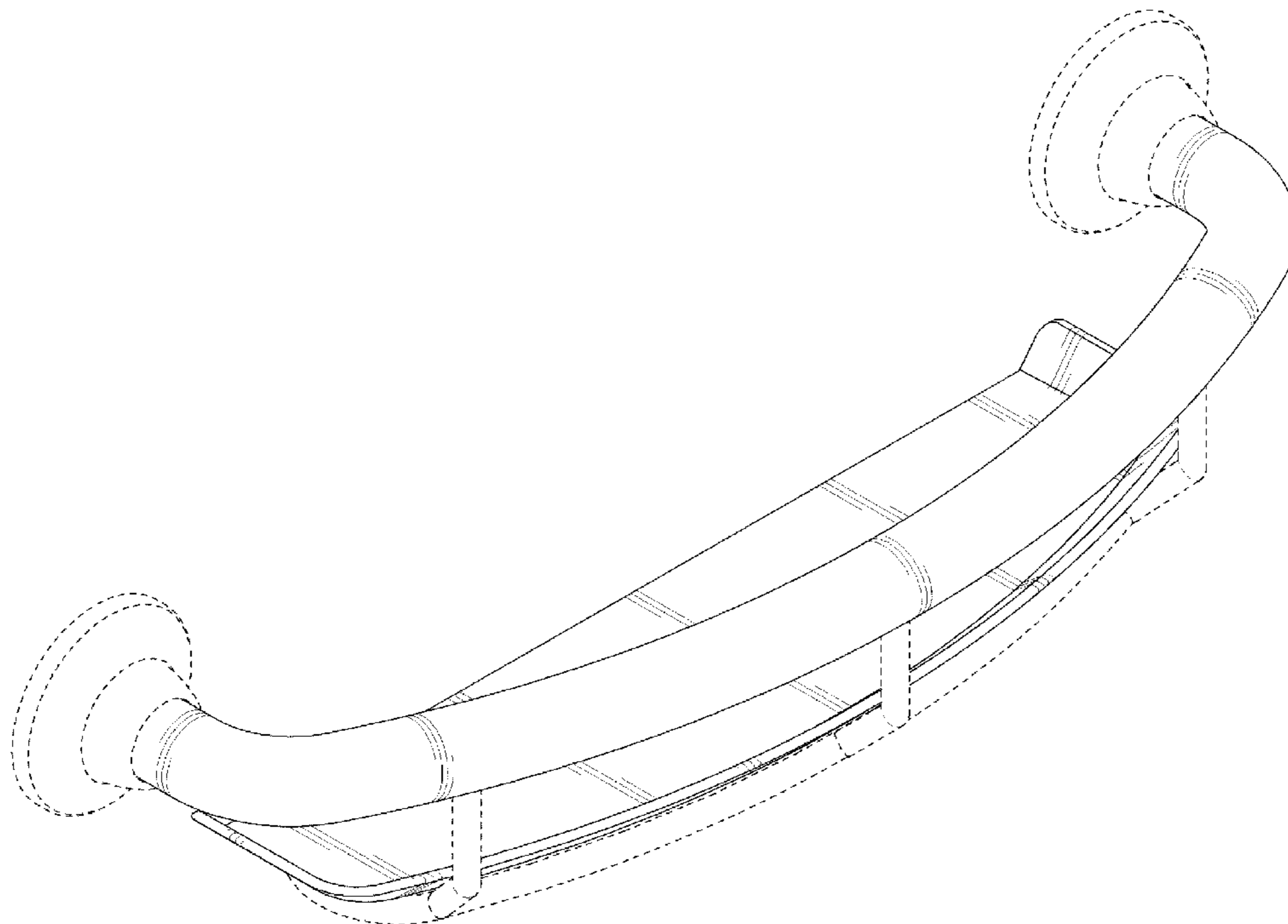
(57) **CLAIM**

The ornamental design for a grab bar, as shown and described.

DESCRIPTION

FIG. 1 is a perspective view of a grab bar of the new design; FIG. 2 is a front elevational view of the grab bar of FIG. 1; FIG. 3 is a rear elevational view of the grab bar of FIG. 1; FIG. 4 is a left side elevational view of the grab bar of FIG. 1, the right side elevational view being a mirror image thereof; FIG. 5 is a top plan view of the grab bar of FIG. 1; and, FIG. 6 is a bottom plan view of the grab bar of FIG. 1. The portions of the Figures shown in broken lines are not part of the claimed design and are for illustration only.

1 Claim, 4 Drawing Sheets



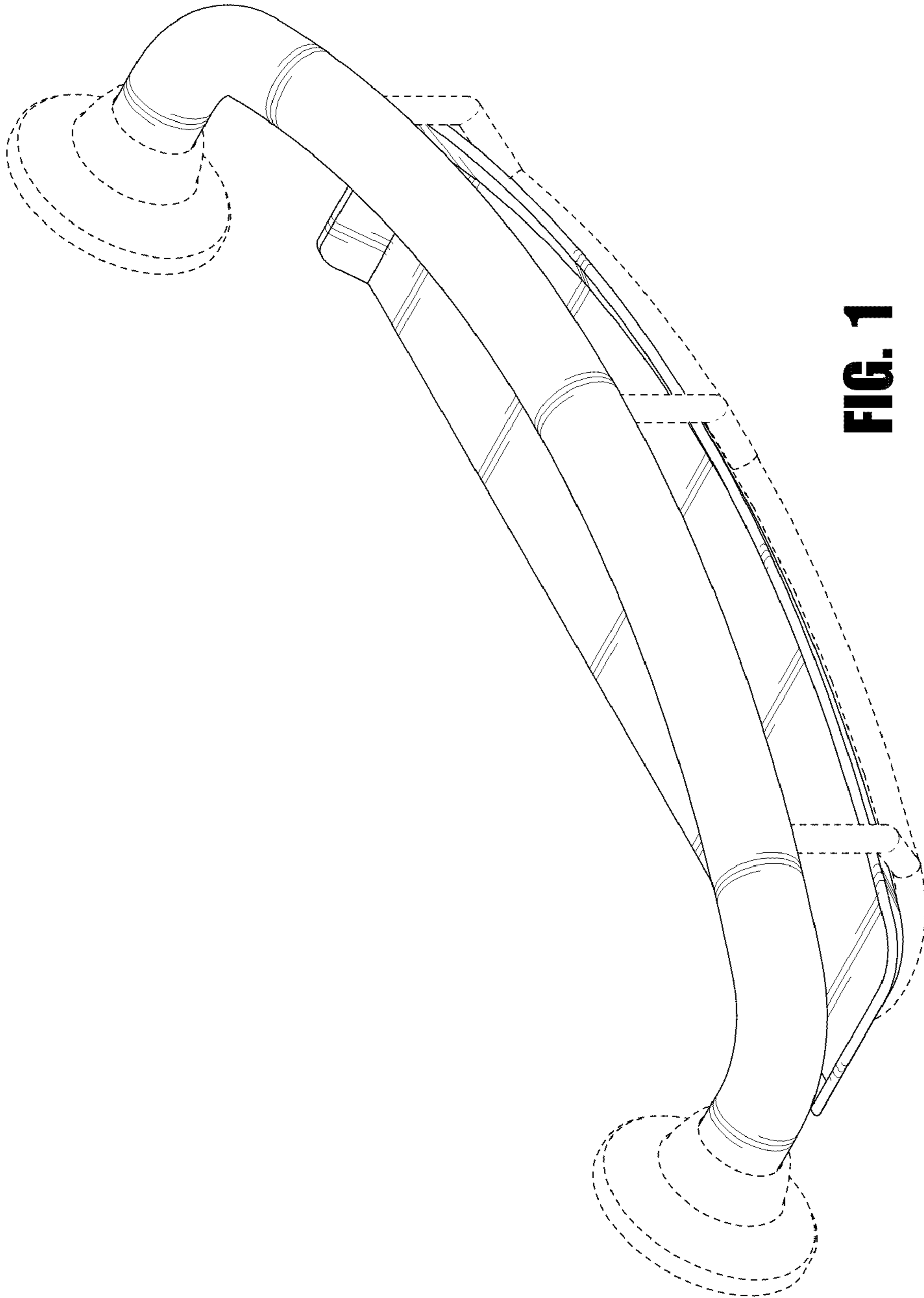


FIG. 1

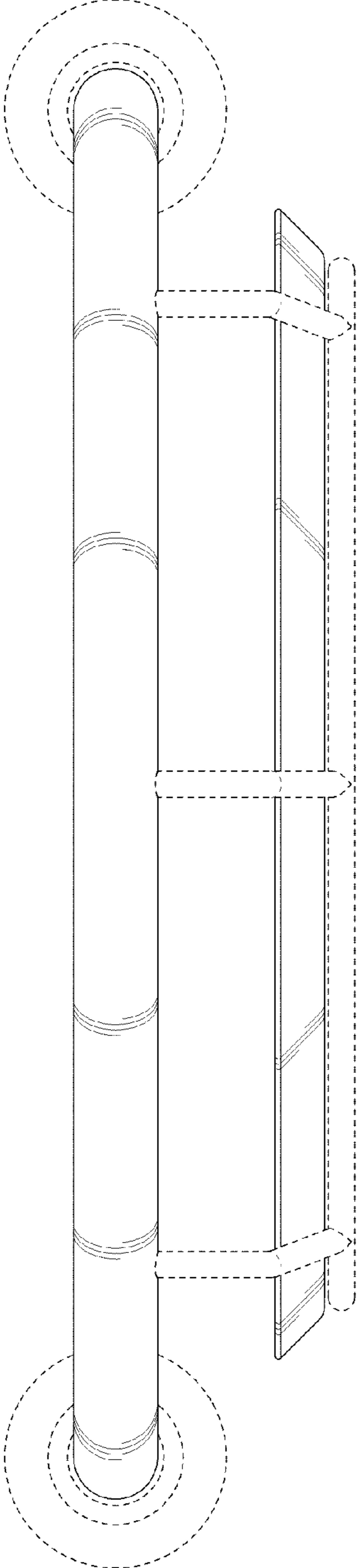


FIG. 2

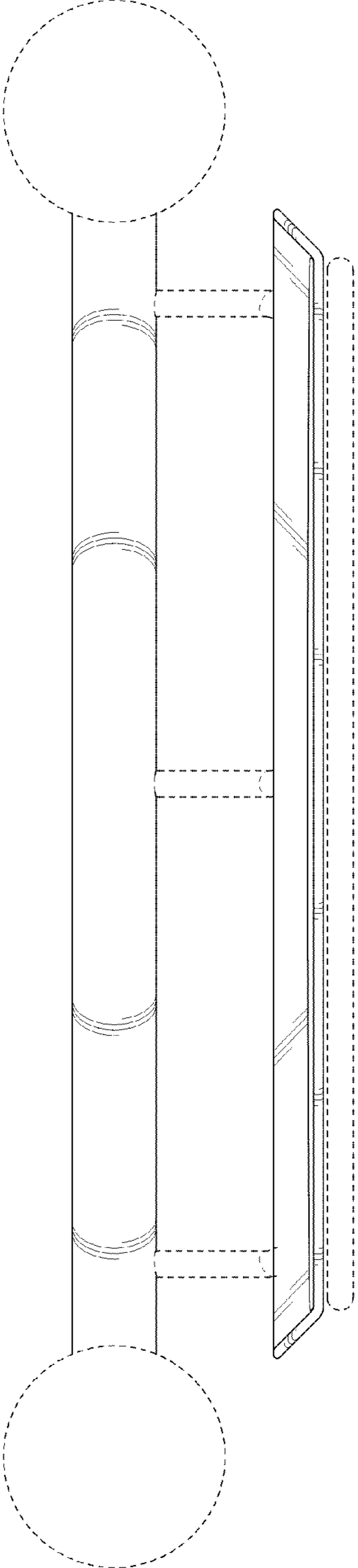


FIG. 3

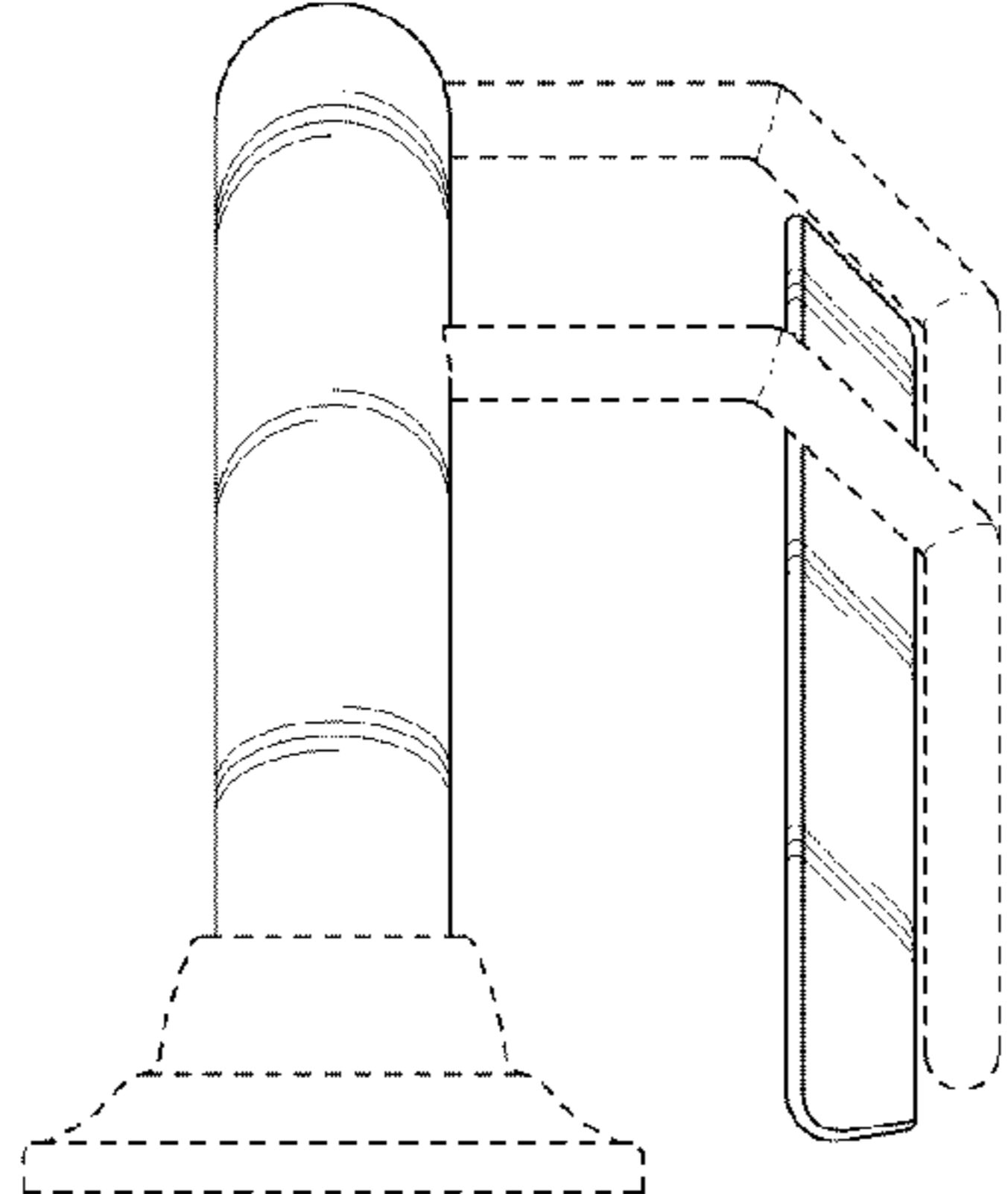


FIG. 4

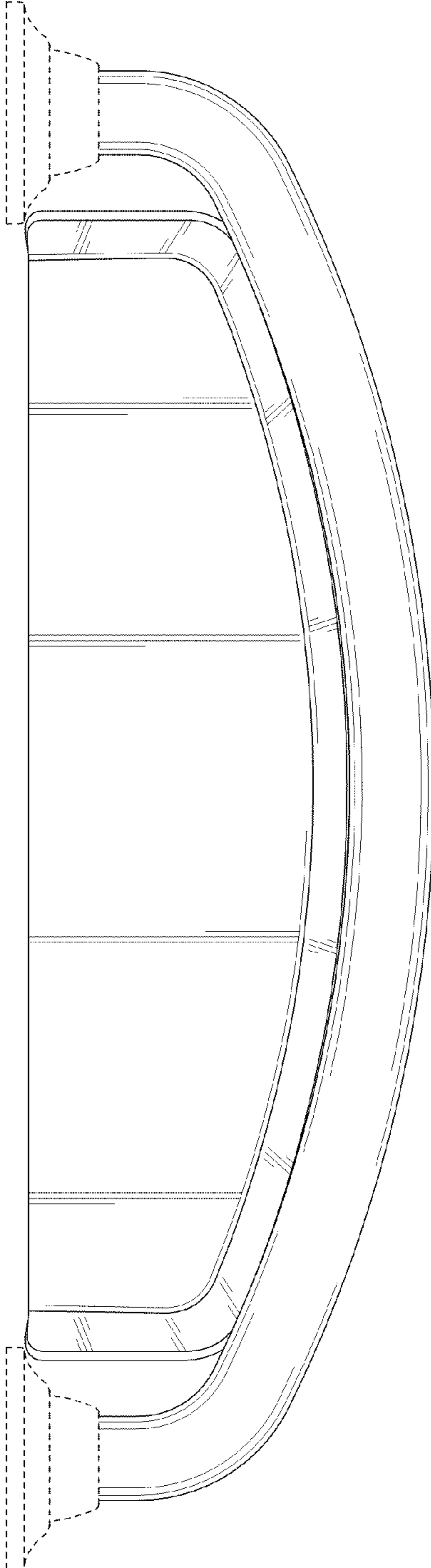


FIG. 5

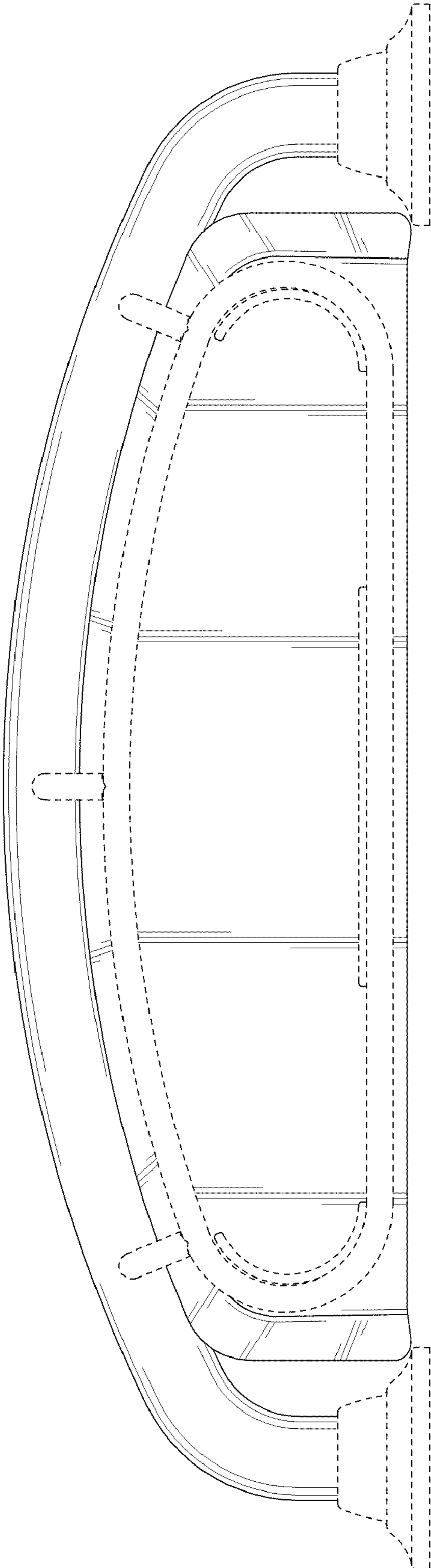


FIG. 6