



US00D646765S

(12) **United States Design Patent**  
**Gilbert**

(10) **Patent No.:** **US D646,765 S**

(45) **Date of Patent:** **\*\* Oct. 11, 2011**

(54) **GRAB BAR**

(75) **Inventor:** **Christopher Jon Gilbert**, Moreland Hills, OH (US)

(73) **Assignee:** **Moen Incorporated**, North Olmsted, OH (US)

(\*\*) **Term:** **14 Years**

(21) **Appl. No.:** **29/384,430**

(22) **Filed:** **Jan. 31, 2011**

(51) **LOC (9) Cl.** ..... **23-01**

(52) **U.S. Cl.** ..... **D23/304; D6/548**

(58) **Field of Classification Search** ..... D23/283,  
D23/280.2, 303-304; 4/571.1, 573.1; D6/546,  
D6/548-550, 525, 527

See application file for complete search history.

(56) **References Cited**

**U.S. PATENT DOCUMENTS**

D118,631 S *	1/1940	Sanford	.....	D6/548
D128,790 S	8/1941	Sanford		
D129,950 S	10/1941	Sanford		
4,465,198 A	8/1984	Martin		
D291,639 S	9/1987	Chap		
D338,794 S	8/1993	Wilsker		
5,373,950 A	12/1994	Marc		
5,465,437 A *	11/1995	Herman	.....	4/611
D377,571 S *	1/1997	Sharpe	.....	D6/548
D388,272 S	12/1997	Moore		
5,970,535 A	10/1999	Wayne		
6,024,231 A	2/2000	Bates		
D431,140 S	9/2000	Kuo		
6,112,344 A *	9/2000	Guenther	.....	4/576.1

D438,040 S	2/2001	Funk		
D459,930 S	7/2002	Snell		
D540,596 S *	4/2007	Duggan	.....	D6/549
D569,153 S *	5/2008	Bickler et al.	.....	D6/548
D599,567 S *	9/2009	Kuo	.....	D6/549

**OTHER PUBLICATIONS**

Grab Bar Product, the grab bar product shown in the cited document was publicly available more than one year prior to Jan. 31, 2011, 1 page.

\* cited by examiner

*Primary Examiner* — Robert Delehanty

(74) *Attorney, Agent, or Firm* — Calfee, Halter & Griswold LLP

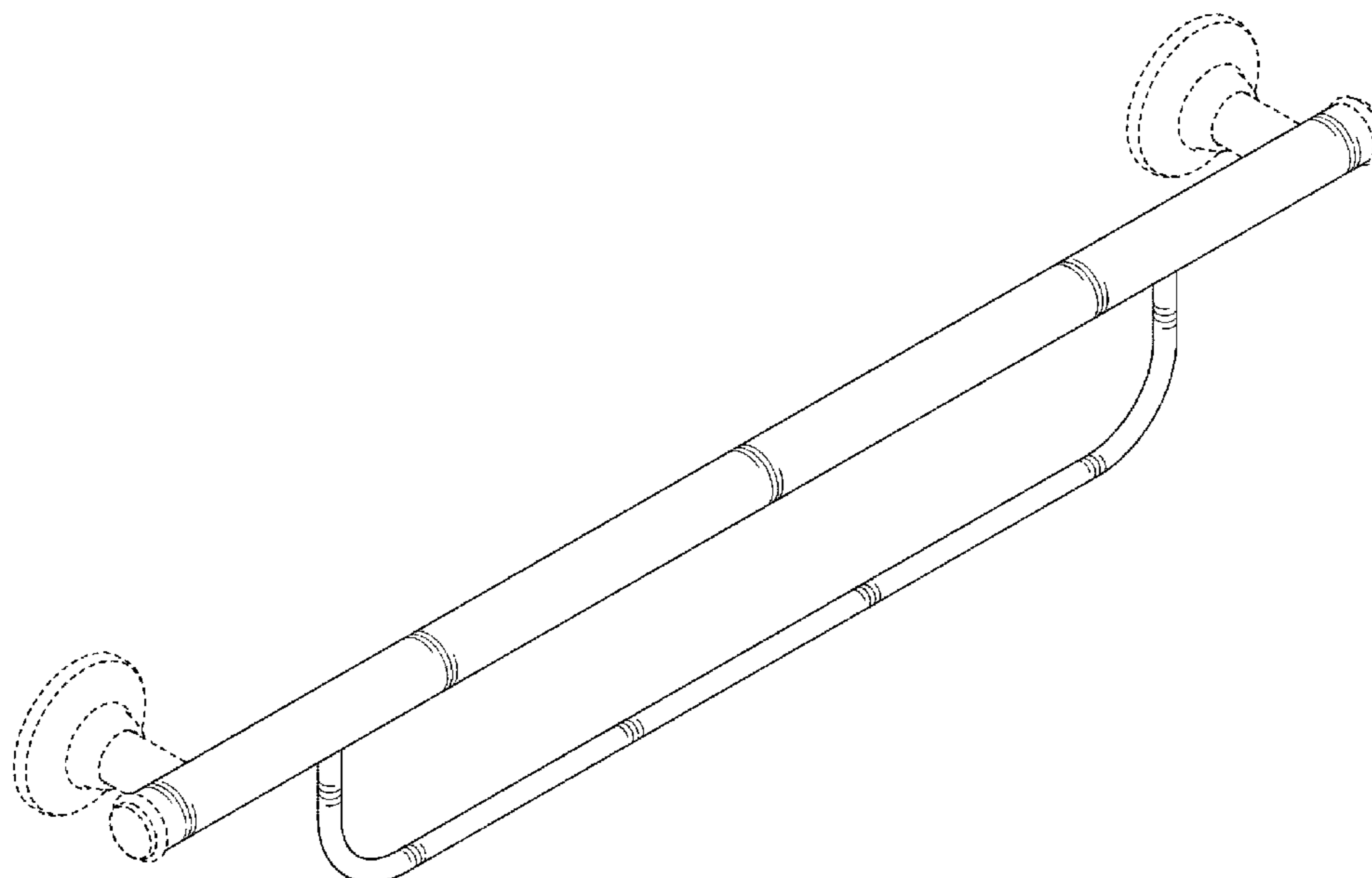
(57) **CLAIM**

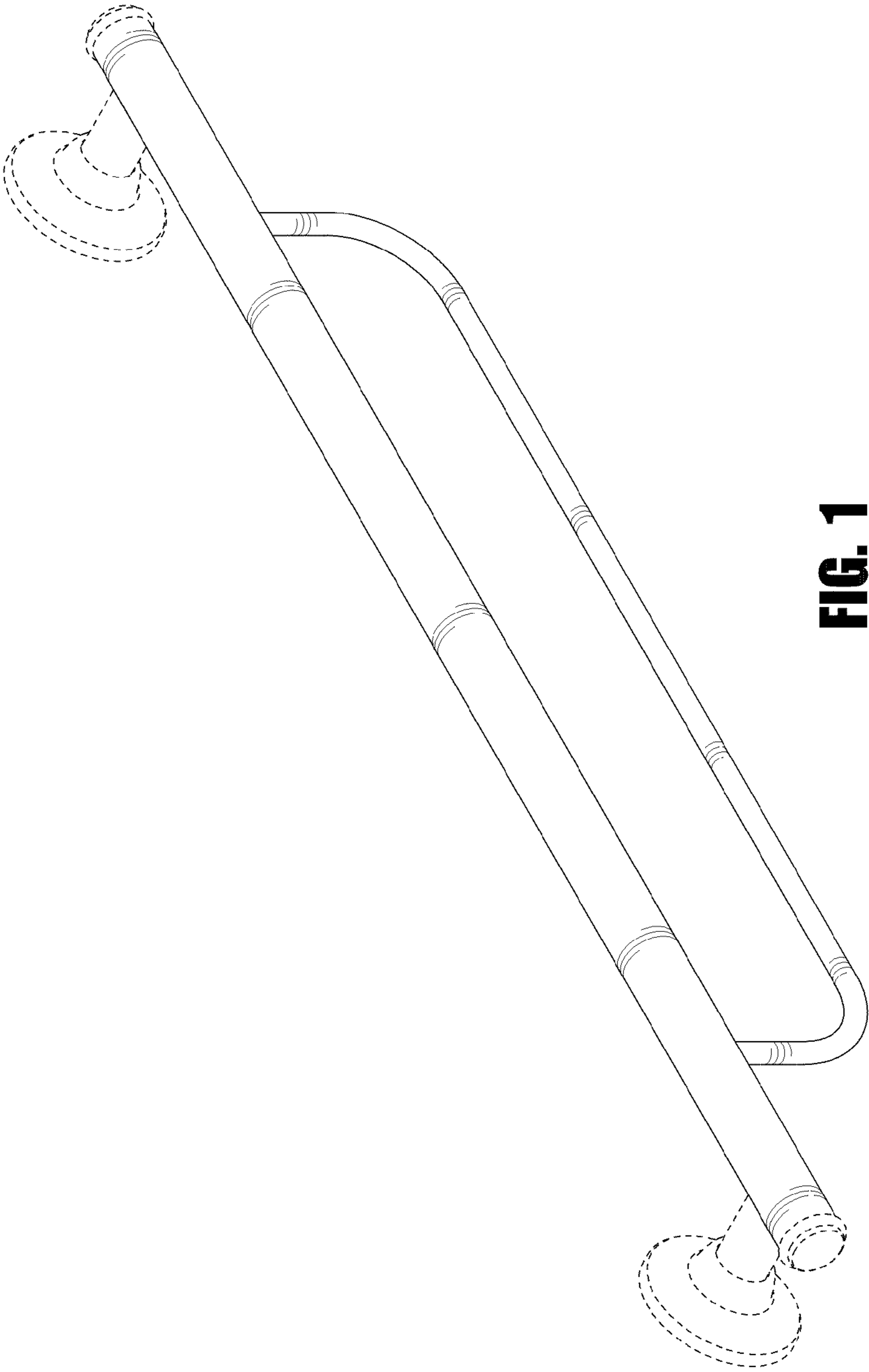
The ornamental design for a grab bar, as shown and described.

**DESCRIPTION**

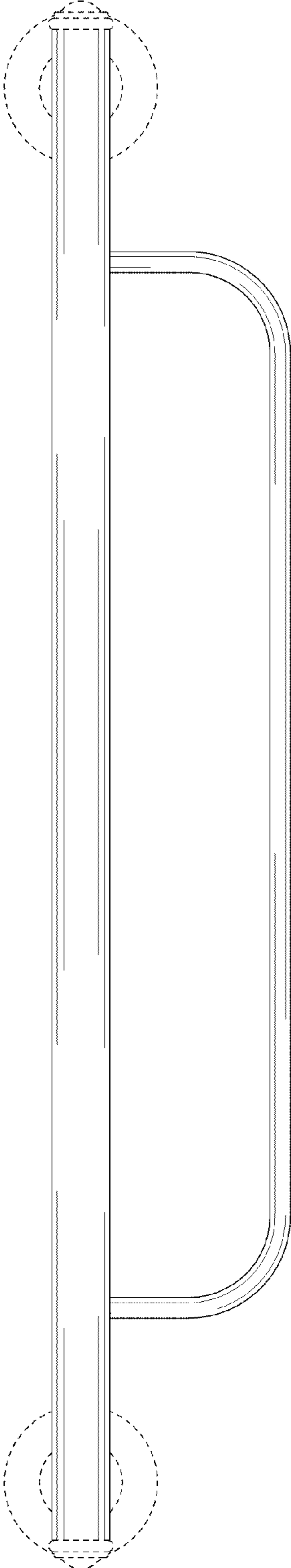
FIG. 1 is a perspective view of a grab bar of the new design; FIG. 2 is a front elevational view of the grab bar of FIG. 1; FIG. 3 is a rear elevational view of the grab bar of FIG. 1; FIG. 4 is a left side elevational view of the grab bar of FIG. 1, the right side elevational view being a mirror image thereof; FIG. 5 is a top plan view of the grab bar of FIG. 1; and, FIG. 6 is a bottom plan view of the grab bar of FIG. 1. The portions of the Figures shown in broken lines are not part of the claimed design and are for illustration only.

**1 Claim, 3 Drawing Sheets**





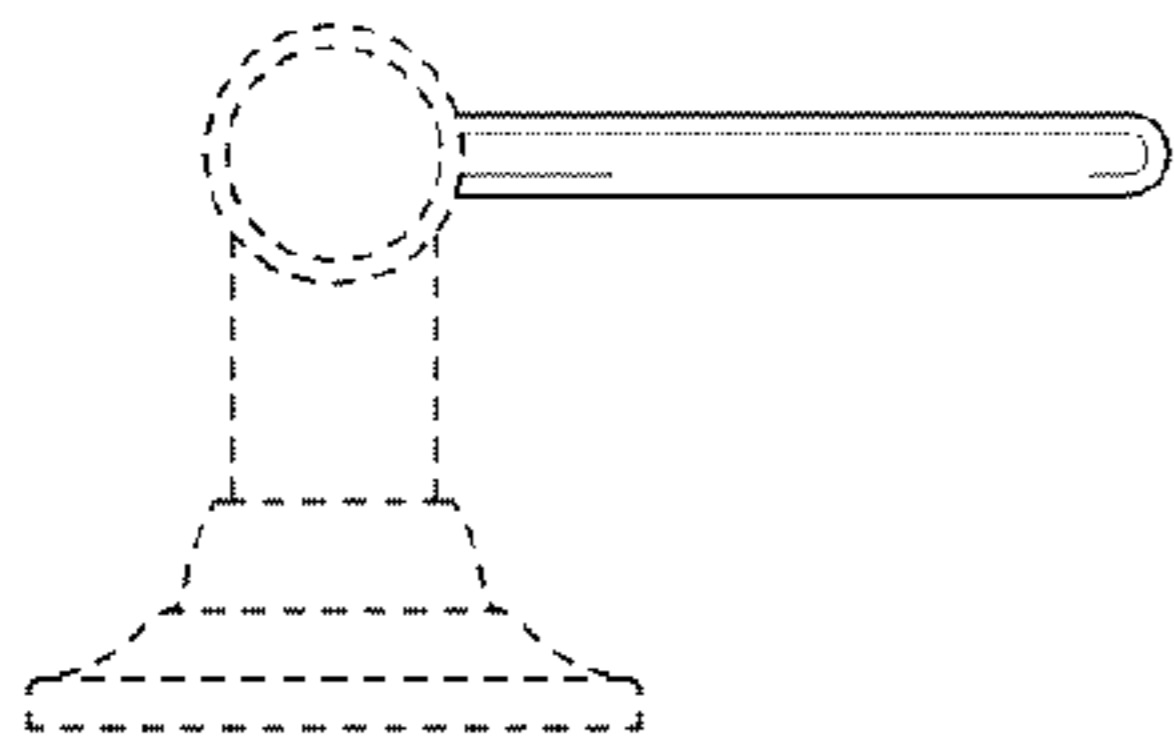
**FIG. 1**



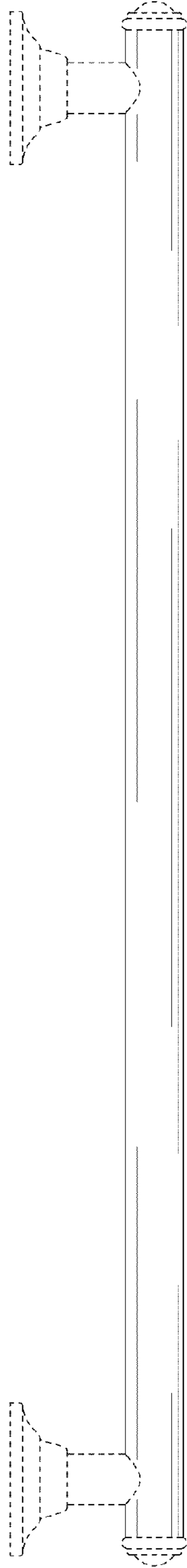
**FIG. 2**



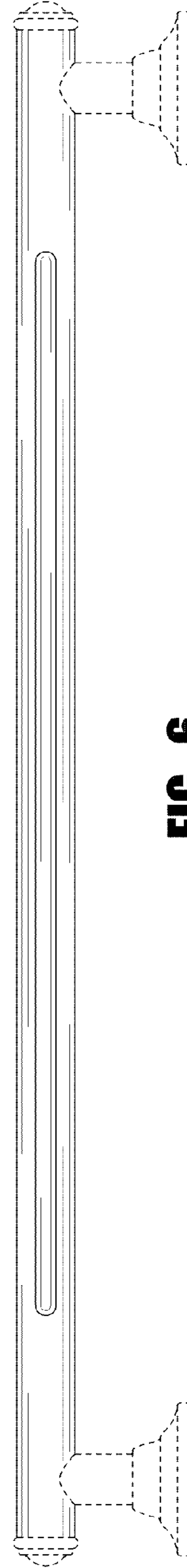
**FIG. 3**



**FIG. 4**



**FIG. 5**



**FIG. 6**