



US00D646763S

(12) **United States Design Patent**
Straughn

(10) **Patent No.:** **US D646,763 S**
(45) **Date of Patent:** **** Oct. 11, 2011**

(54) **PIPE ENCLOSURE**

(75) Inventor: **Joseph W. Straughn**, Niles, MI (US)

(73) Assignee: **Hide A Pipe Enclosures, Inc.**, Elkhart, IN (US)

(**) Term: **14 Years**

(21) Appl. No.: **29/385,857**

(22) Filed: **Feb. 22, 2011**

(51) **LOC (9) Cl.** **23-01**

(52) **U.S. Cl.** **D23/266**

(58) **Field of Classification Search** D23/259-266;
138/103, 111, 149, 159

See application file for complete search history.

(56) **References Cited**

U.S. PATENT DOCUMENTS

87,694	A *	3/1869	Lutes	138/103
696,737	A *	4/1902	Jones	174/96
896,984	A *	8/1908	Freeman	138/103
1,825,010	A	9/1931	Murphy	
1,987,405	A *	1/1935	Lundy	138/106
3,815,304	A *	6/1974	Schille et al.	52/100
4,314,775	A *	2/1982	Johnson	405/155
4,438,785	A *	3/1984	Morrison et al.	138/103
4,497,150	A	2/1985	Wendt et al.	
4,706,426	A	11/1987	Rumsey	
5,061,121	A *	10/1991	Matiere	405/155
D328,500	S *	8/1992	Hardy	D25/119
5,384,998	A	1/1995	Tanaka et al.	
5,464,302	A	11/1995	Menchetti	

5,526,617	A	6/1996	Grice	
5,586,739	A	12/1996	Gantner et al.	
5,704,175	A	1/1998	Lewis	
5,803,653	A	9/1998	Zuffetti	
6,546,684	B2	4/2003	Waalkes et al.	
6,729,958	B2	5/2004	Burns et al.	
D515,183	S *	2/2006	Nigro et al.	D23/267
D586,437	S *	2/2009	Cangialosi	D23/267
7,530,764	B1 *	5/2009	Gallegos	405/126
D610,267	S	2/2010	Grice	
D632,423	S	2/2011	Canfield	
2010/0242389	A1	9/2010	DePaul	

* cited by examiner

Primary Examiner — T. Chase Nelson

Assistant Examiner — Eric Goodman

(74) *Attorney, Agent, or Firm* — Barnes & Thornburg LLP

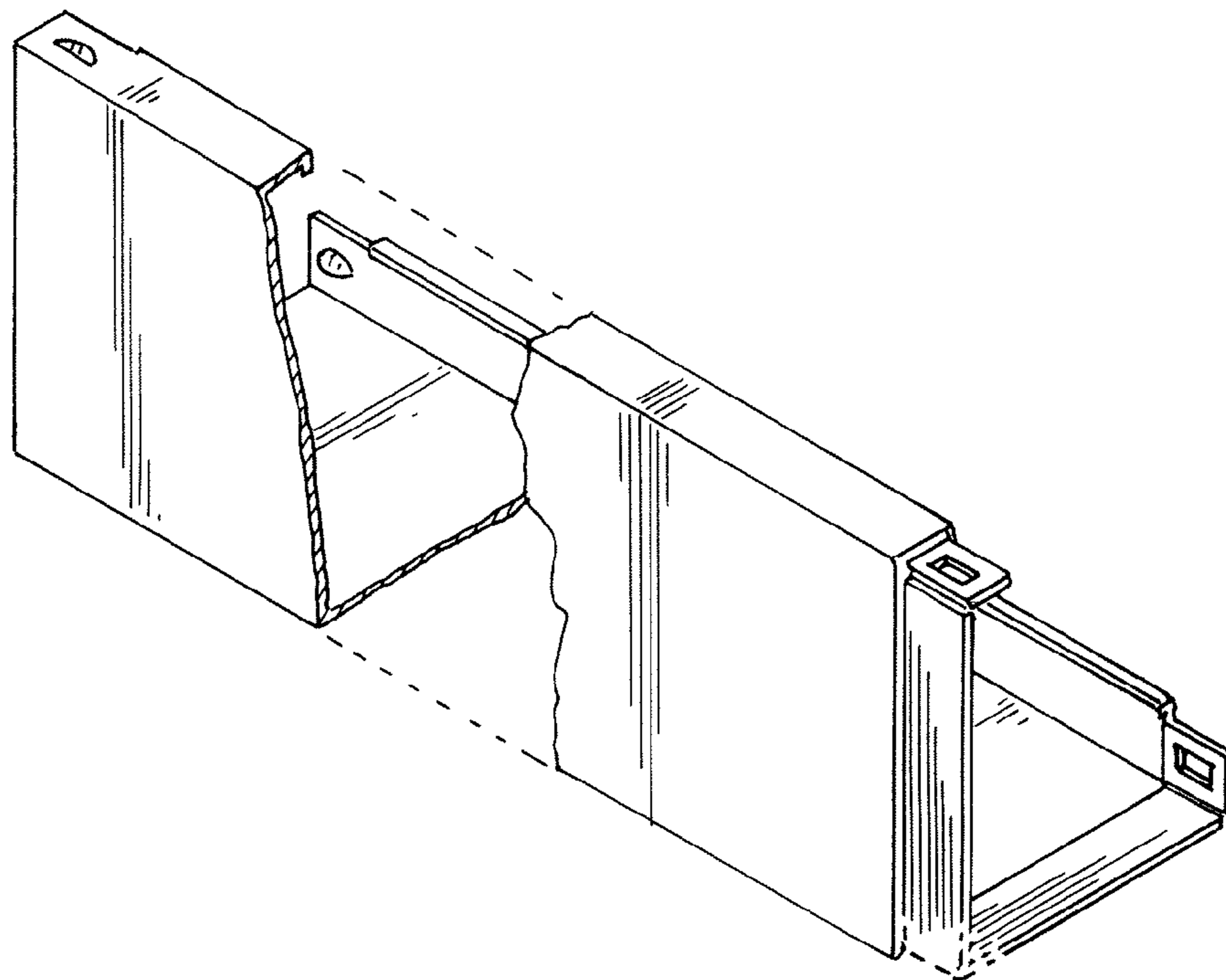
(57) **CLAIM**

The ornamental design for a pipe enclosure, as shown and described.

DESCRIPTION

FIG. 1 is a perspective view of the pipe enclosure showing my new design;
FIG. 2 is a front elevation view thereof;
FIG. 3 is a rear elevation view thereof;
FIG. 4 is a top plan view thereof;
FIG. 5 is a bottom plan view thereof;
FIG. 6 is a first end view thereof; and,
FIG. 7 is a second end view thereof.
The portion shown in broken lines is for illustrative purposes only and forms no part of the design.

1 Claim, 1 Drawing Sheet



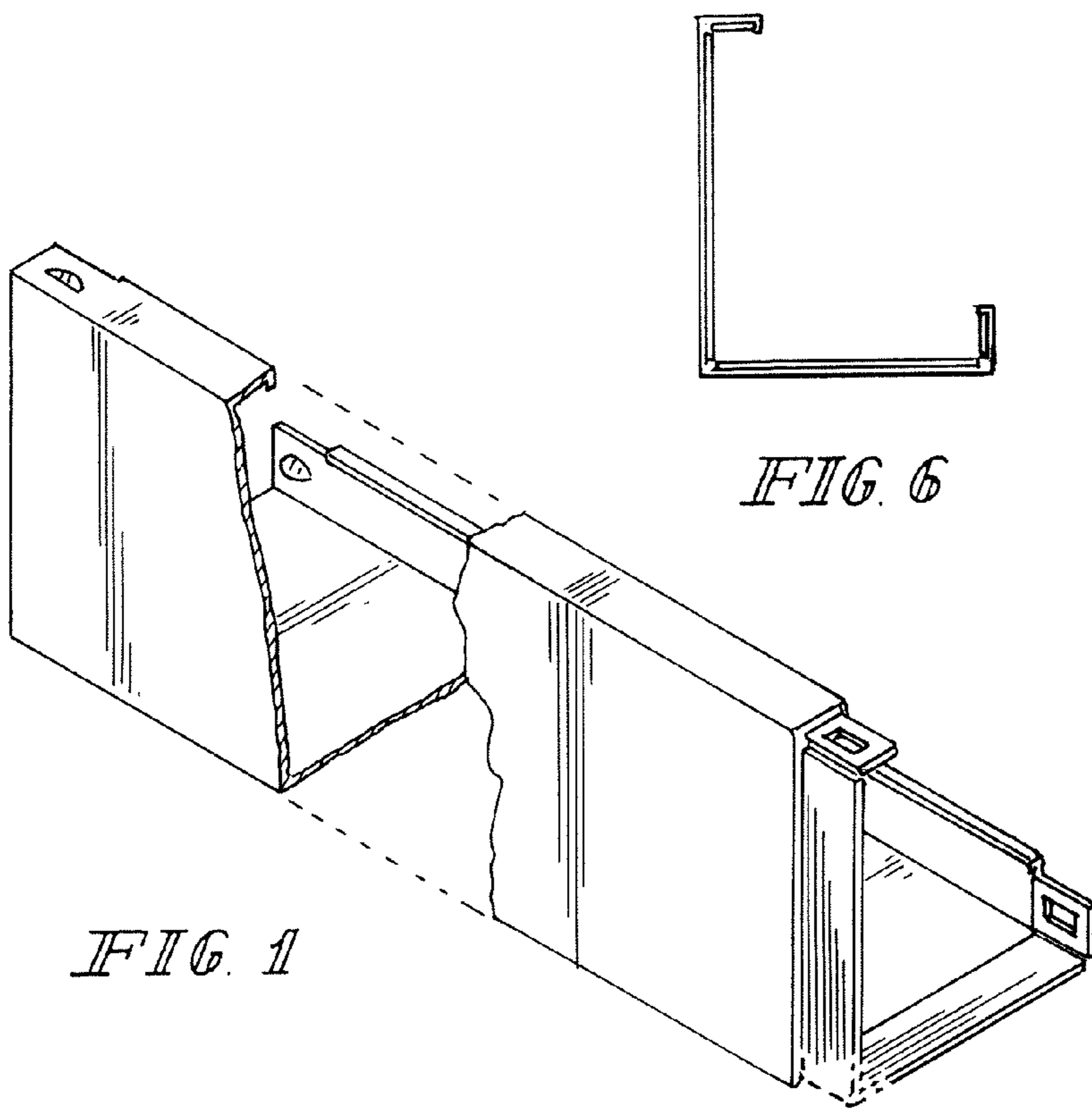


FIG. 1

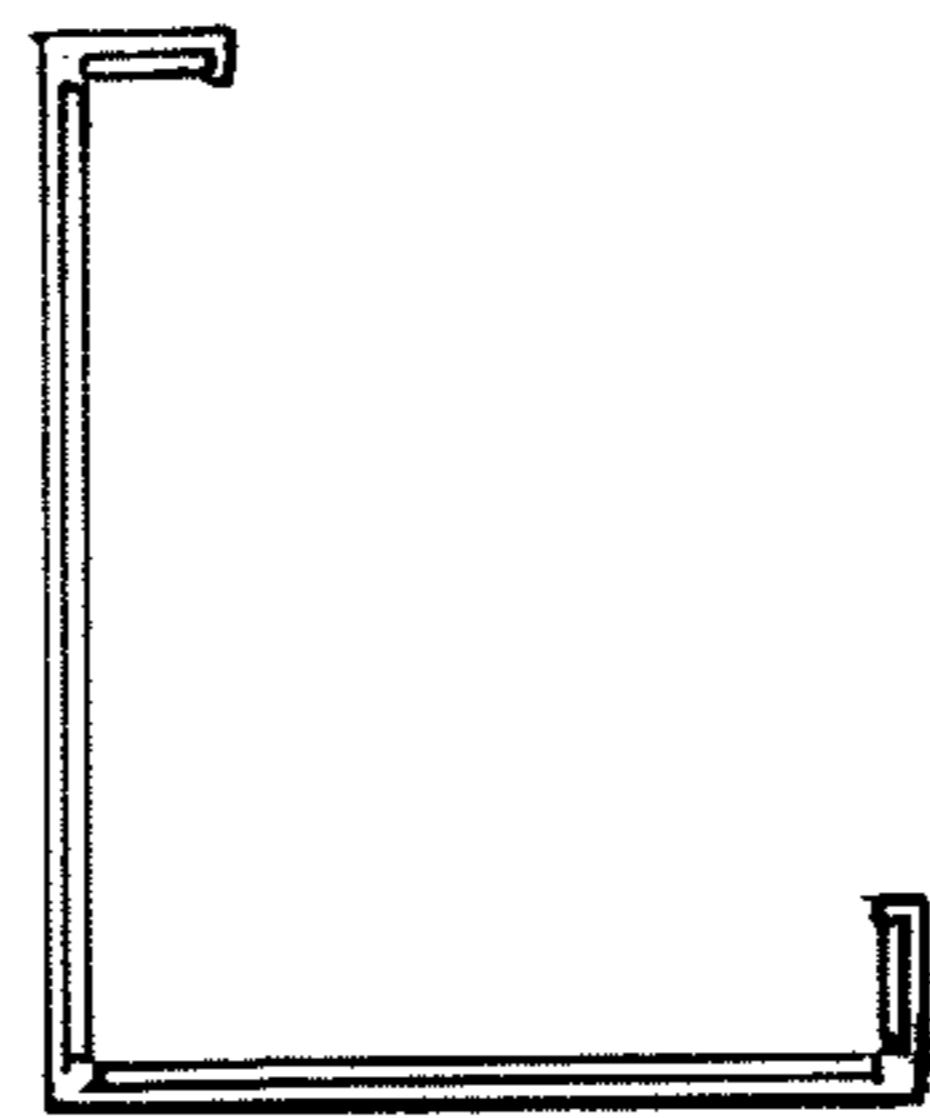


FIG. 6

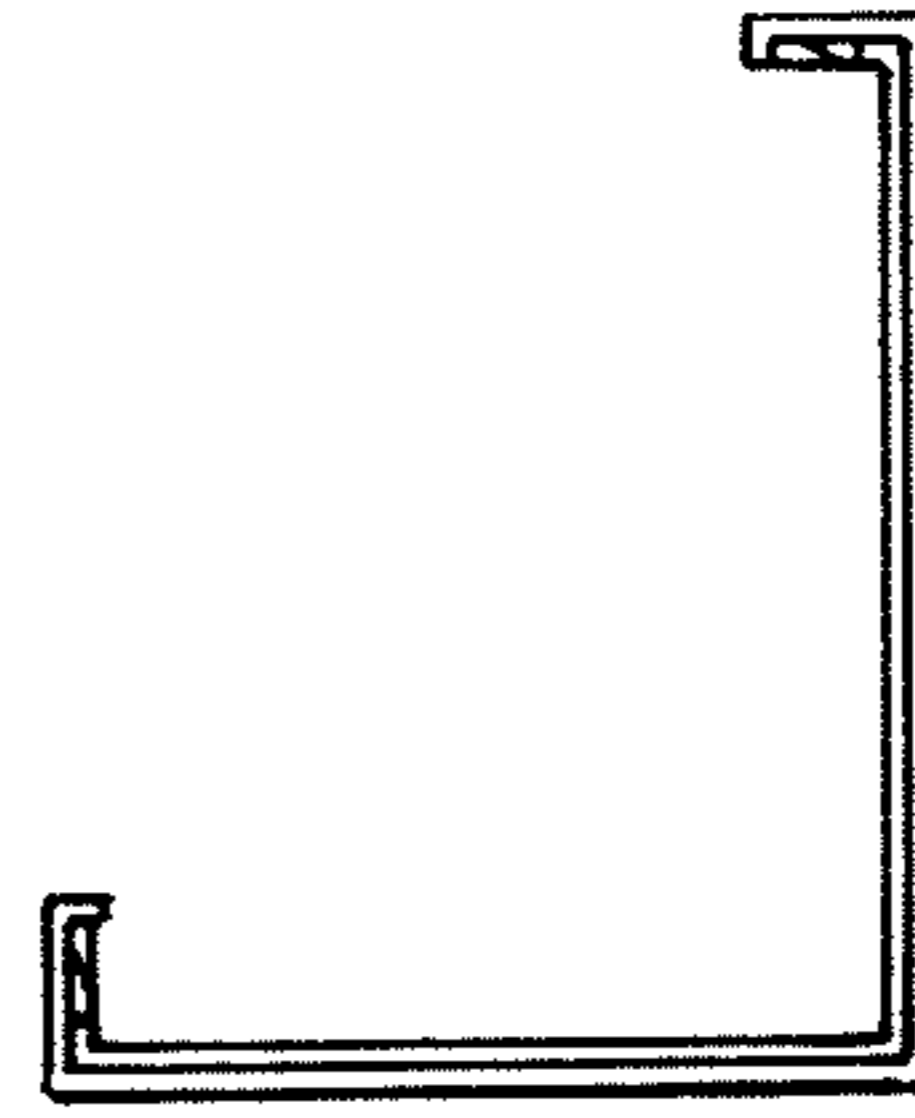


FIG. 7

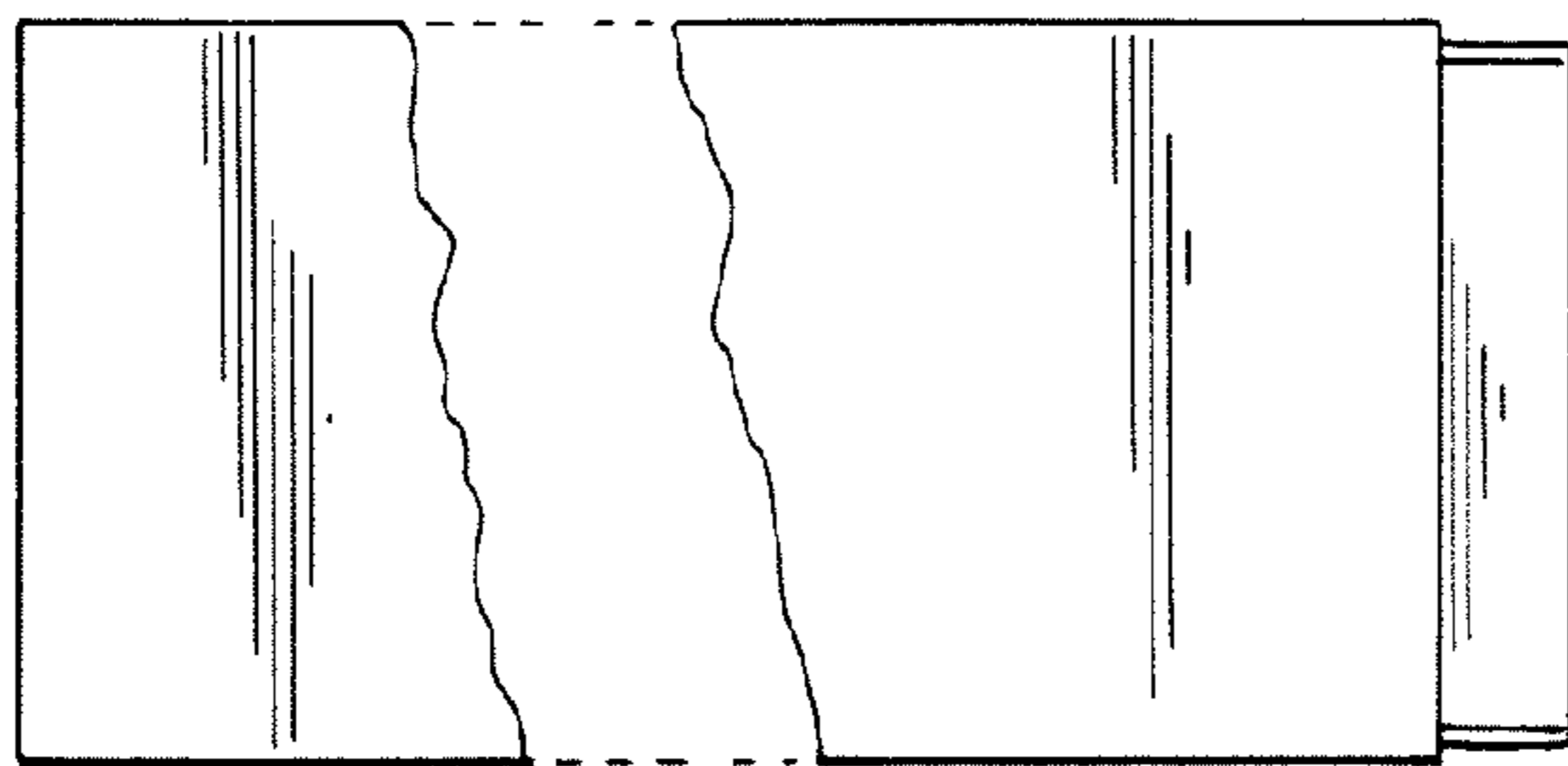


FIG. 2

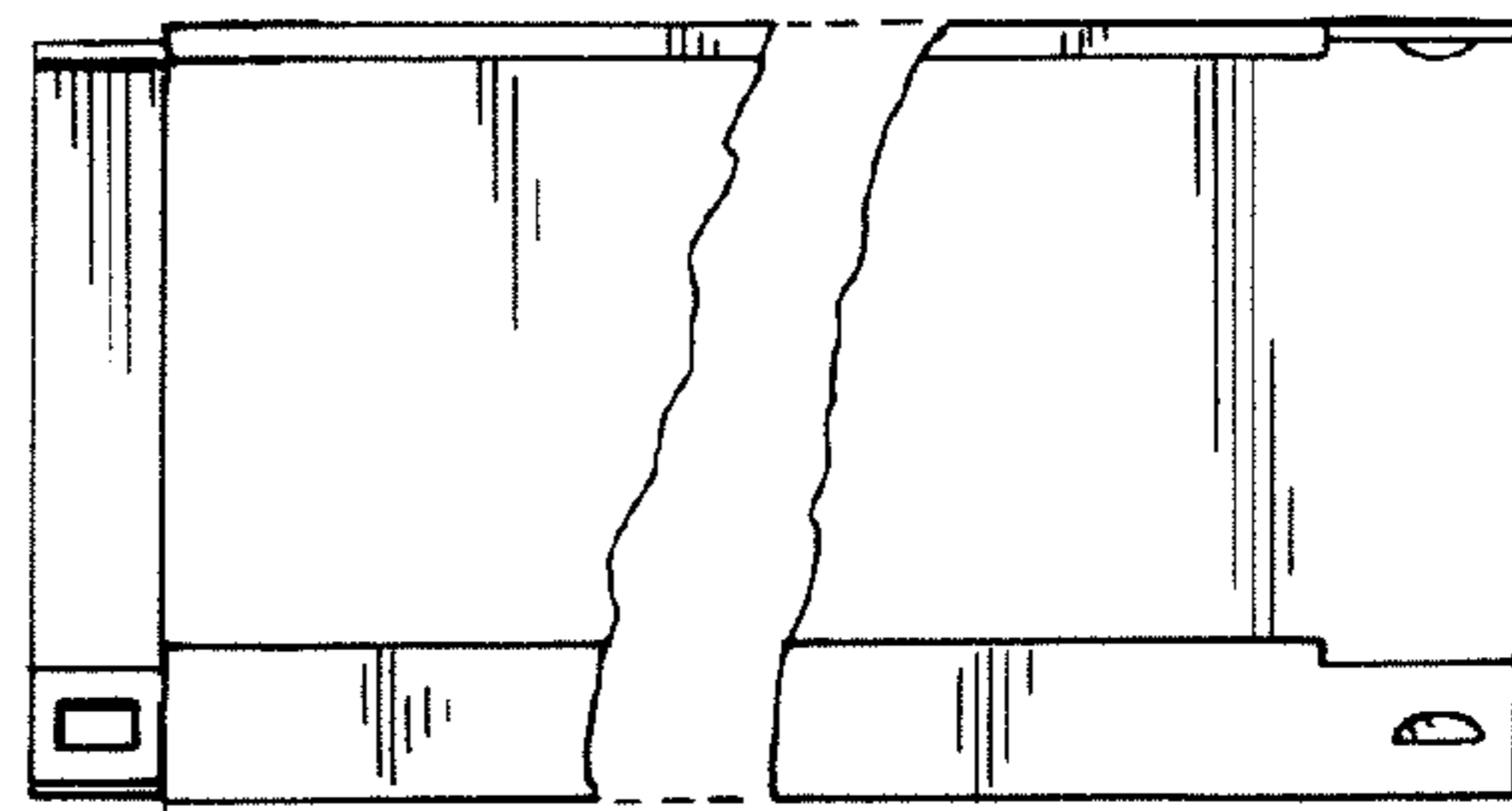


FIG. 3

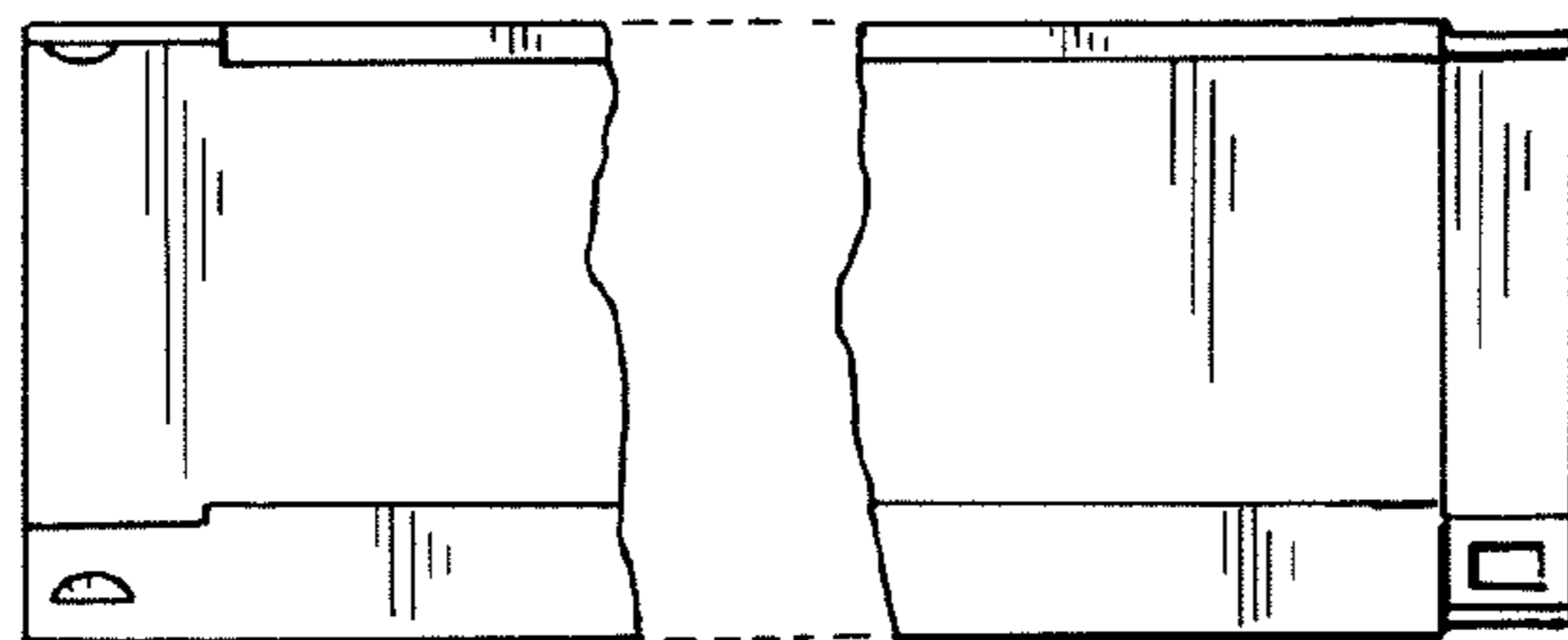


FIG. 4

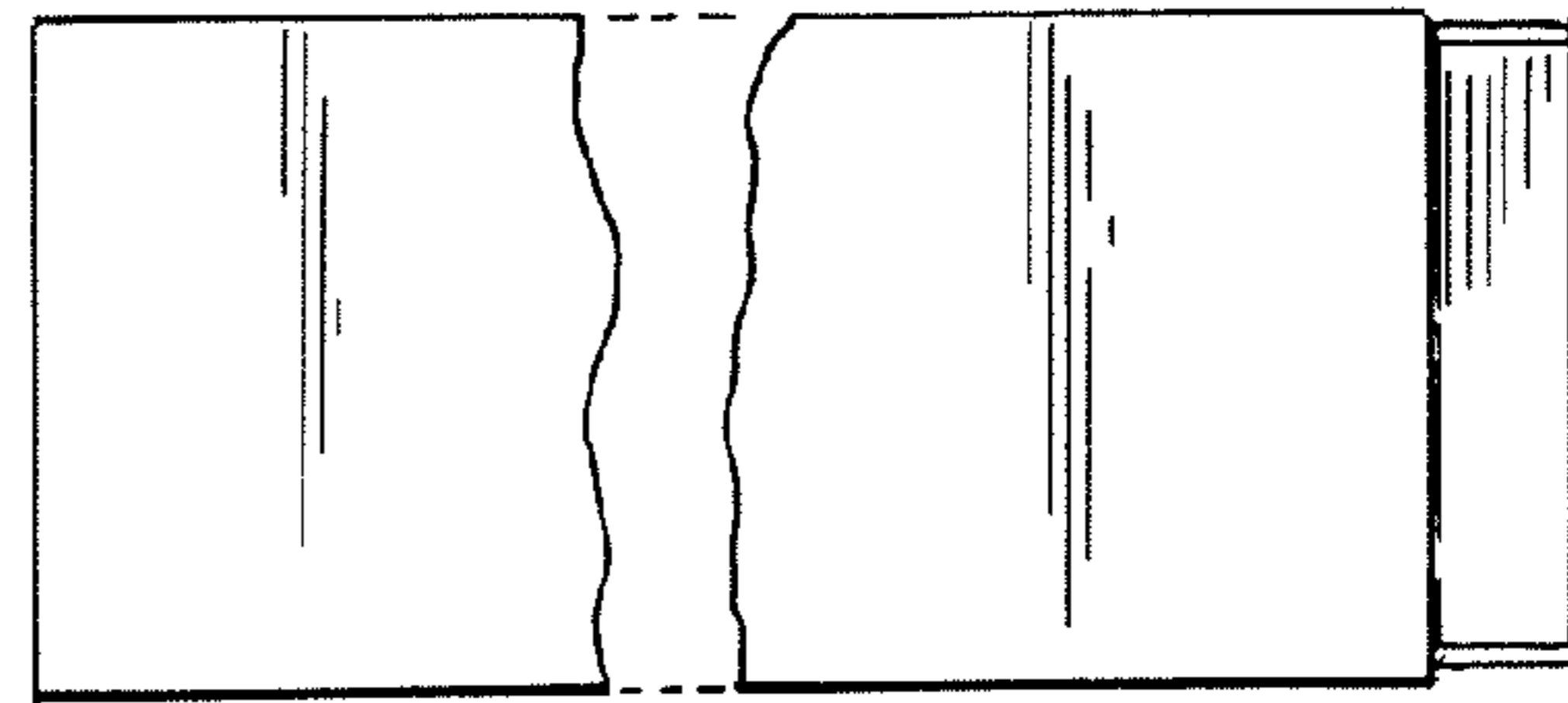


FIG. 5

UNITED STATES PATENT AND TRADEMARK OFFICE
CERTIFICATE OF CORRECTION

PATENT NO. : D646,763 S
APPLICATION NO. : 29/385857
DATED : October 11, 2011
INVENTOR(S) : Joseph W. Straughn

Page 1 of 3

It is certified that error appears in the above-identified patent and that said Letters Patent is hereby corrected as shown below:

Delete the title page showing an illustrative figure and substitute the attached title page therefor.

Replace the Figs. 1-7 sheet with the attached Figs. 1-7 sheet.

Signed and Sealed this
Fifteenth Day of November, 2011

A handwritten signature in black ink that reads "David J. Kappos". The signature is written in a cursive, slightly slanted style.

David J. Kappos
Director of the United States Patent and Trademark Office

(12) **United States Design Patent**
Straughn

(10) **Patent No.:** **US D646,763 S**
(45) **Date of Patent:** **** Oct. 11, 2011**

(54) **PIPE ENCLOSURE**

(75) **Inventor:** **Joseph W. Straughn**, Niles, MI (US)

(73) **Assignee:** **Hide A Pipe Enclosures, Inc.**, Elkhart, IN (US)

(**) **Term:** **14 Years**

(21) **Appl. No.:** **29/385,857**

(22) **Filed:** **Feb. 22, 2011**

(51) **LOC (9) Cl.** **23-01**

(52) **U.S. Cl.** **D23/266**

(58) **Field of Classification Search** D23/259-266;
138/103, 111, 149, 159

See application file for complete search history.

(56) **References Cited**

U.S. PATENT DOCUMENTS

87,694	A *	3/1869	Lutes	138/103
696,737	A *	4/1902	Jones	174/96
896,984	A *	8/1908	Freeman	138/103
1,825,010	A	9/1931	Murphy	
1,987,405	A *	1/1935	Lundy	138/106
3,815,304	A *	6/1974	Schille et al.	52/100
4,314,775	A *	2/1982	Johnson	405/155
4,438,785	A *	3/1984	Morrison et al.	138/103
4,497,150	A	2/1985	Wendt et al.	
4,706,426	A	11/1987	Rumsey	
5,061,121	A *	10/1991	Matiere	405/155
D328,500	S *	8/1992	Hardy	D25/119
5,384,998	A	1/1995	Tanaka et al.	
5,464,302	A	11/1995	Menchetti	

5,526,617	A	6/1996	Grice	
5,586,739	A	12/1996	Gantner et al.	
5,704,175	A	1/1998	Lewis	
5,803,653	A	9/1998	Zuffetti	
6,546,684	B2	4/2003	Waalkes et al.	
6,729,958	B2	5/2004	Burns et al.	
D515,183	S *	2/2006	Nigro et al.	D23/267
D586,437	S *	2/2009	Cangialosi	D23/267
7,530,764	B1 *	5/2009	Gallegos	405/126
D610,267	S	2/2010	Grice	
D632,423	S	2/2011	Canfield	
2010/0242389	A1	9/2010	DePaul	

* cited by examiner

Primary Examiner — T. Chase Nelson

Assistant Examiner — Eric Goodman

(74) *Attorney, Agent, or Firm* — Barnes & Thornburg LLP

(57) **CLAIM**

The ornamental design for a pipe enclosure, as shown and described.

DESCRIPTION

FIG. 1 is a perspective view of the pipe enclosure showing my new design;

FIG. 2 is a front elevation view thereof;

FIG. 3 is a rear elevation view thereof;

FIG. 4 is a top plan view thereof;

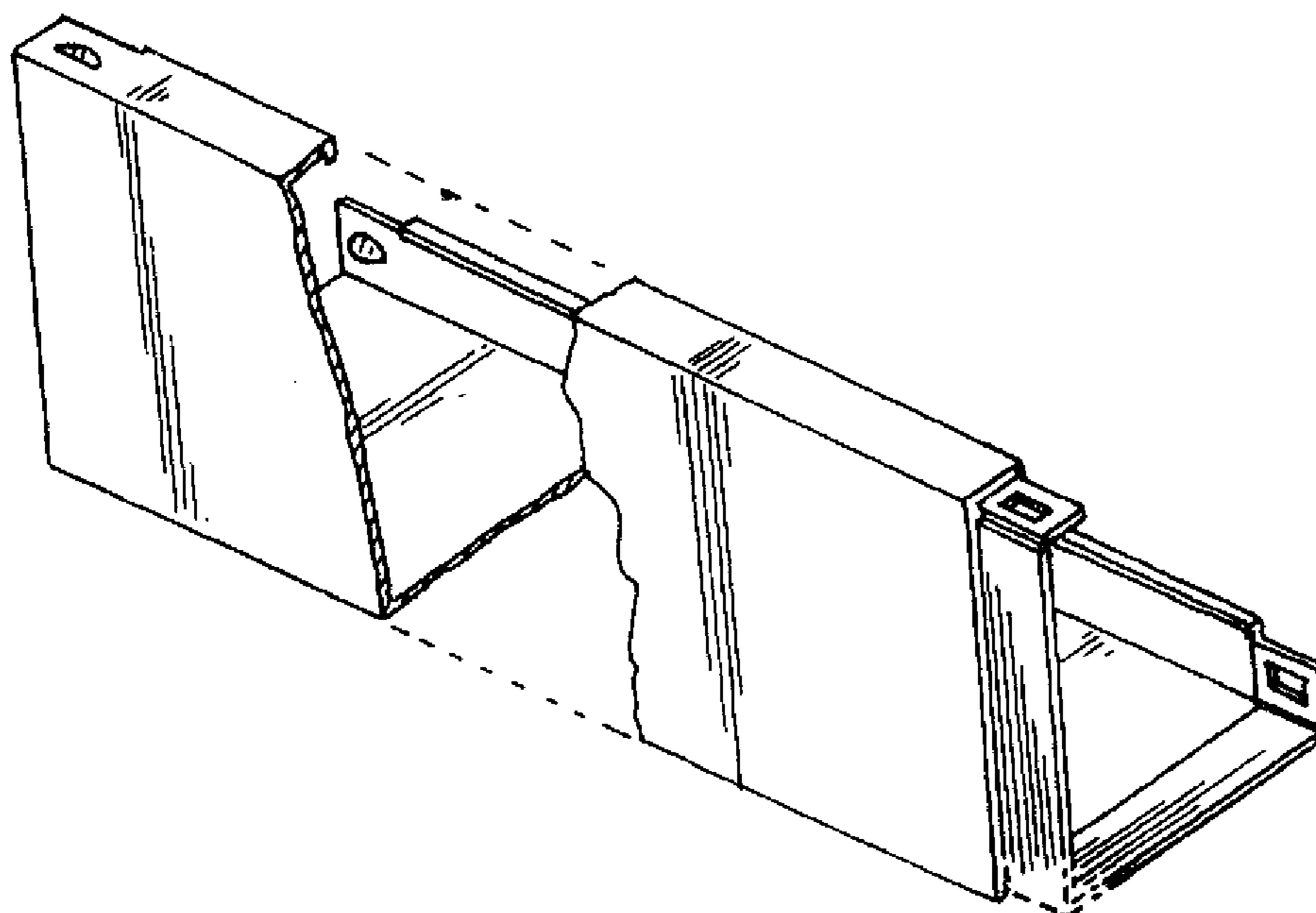
FIG. 5 is a bottom plan view thereof;

FIG. 6 is a first end view thereof; and,

FIG. 7 is a second end view thereof.

The portion shown in broken lines is for illustrative purposes only and forms no part of the design.

1 Claim, 1 Drawing Sheet



U.S. Patent

Oct. 11, 2011

D646,763 S

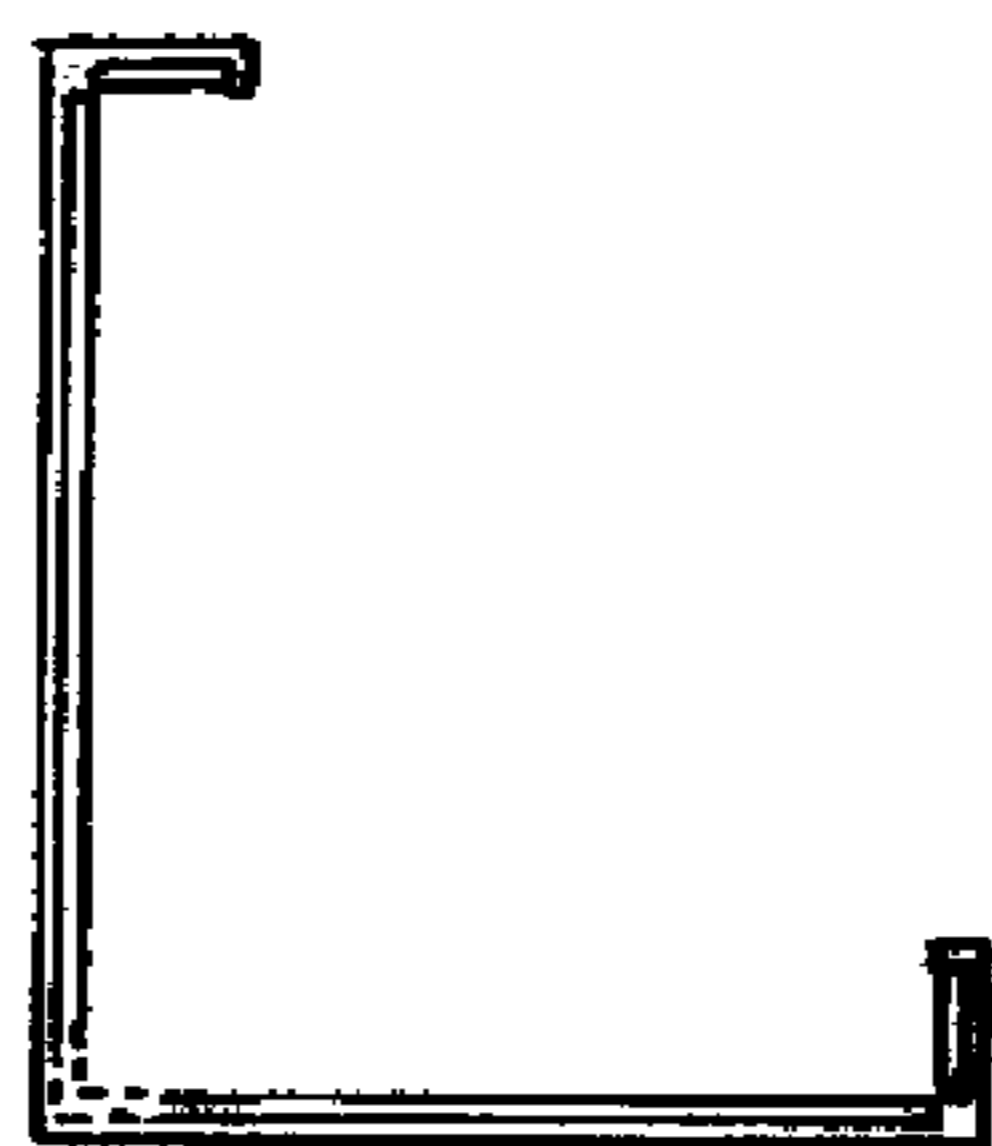
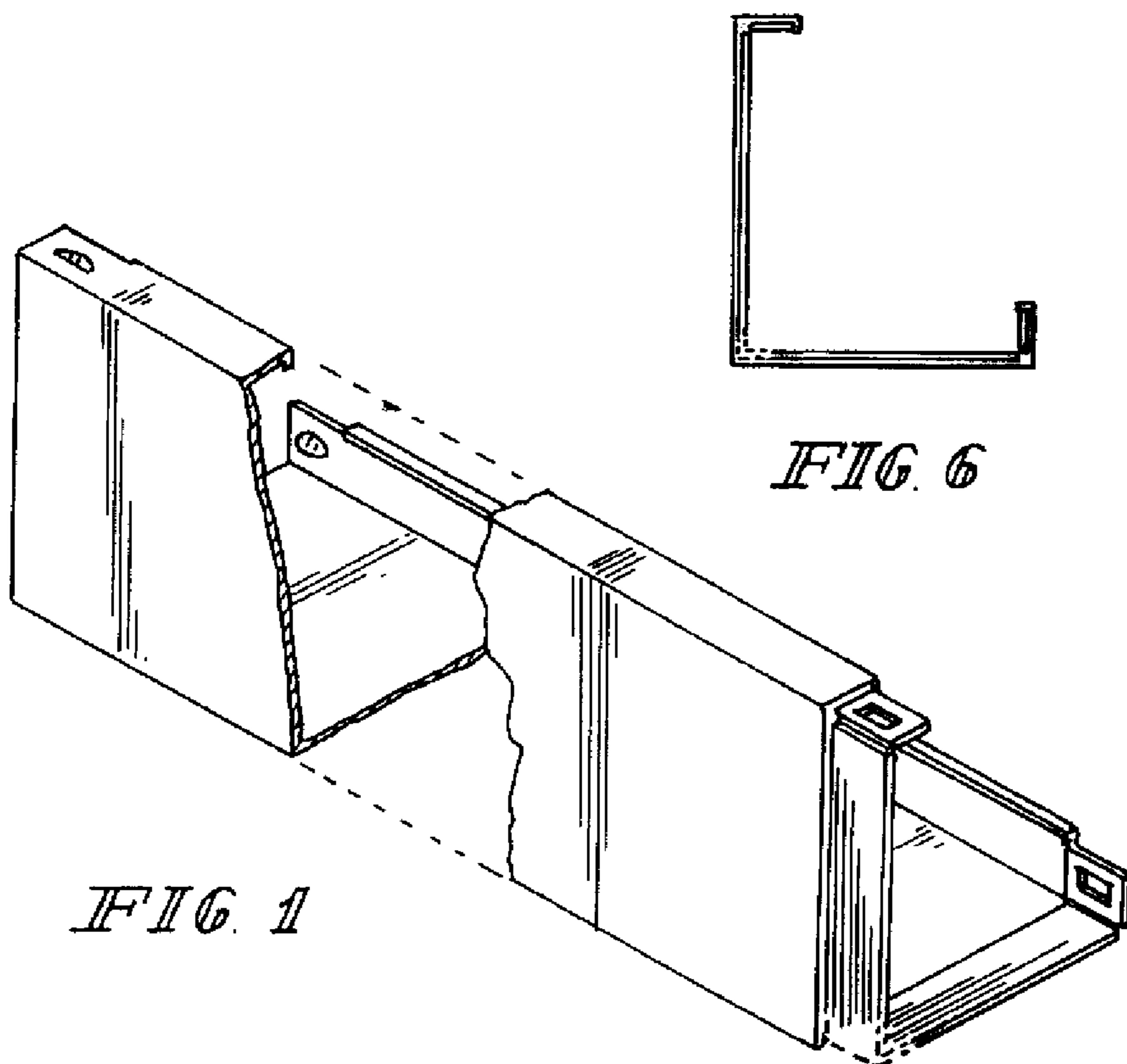


FIG. 6

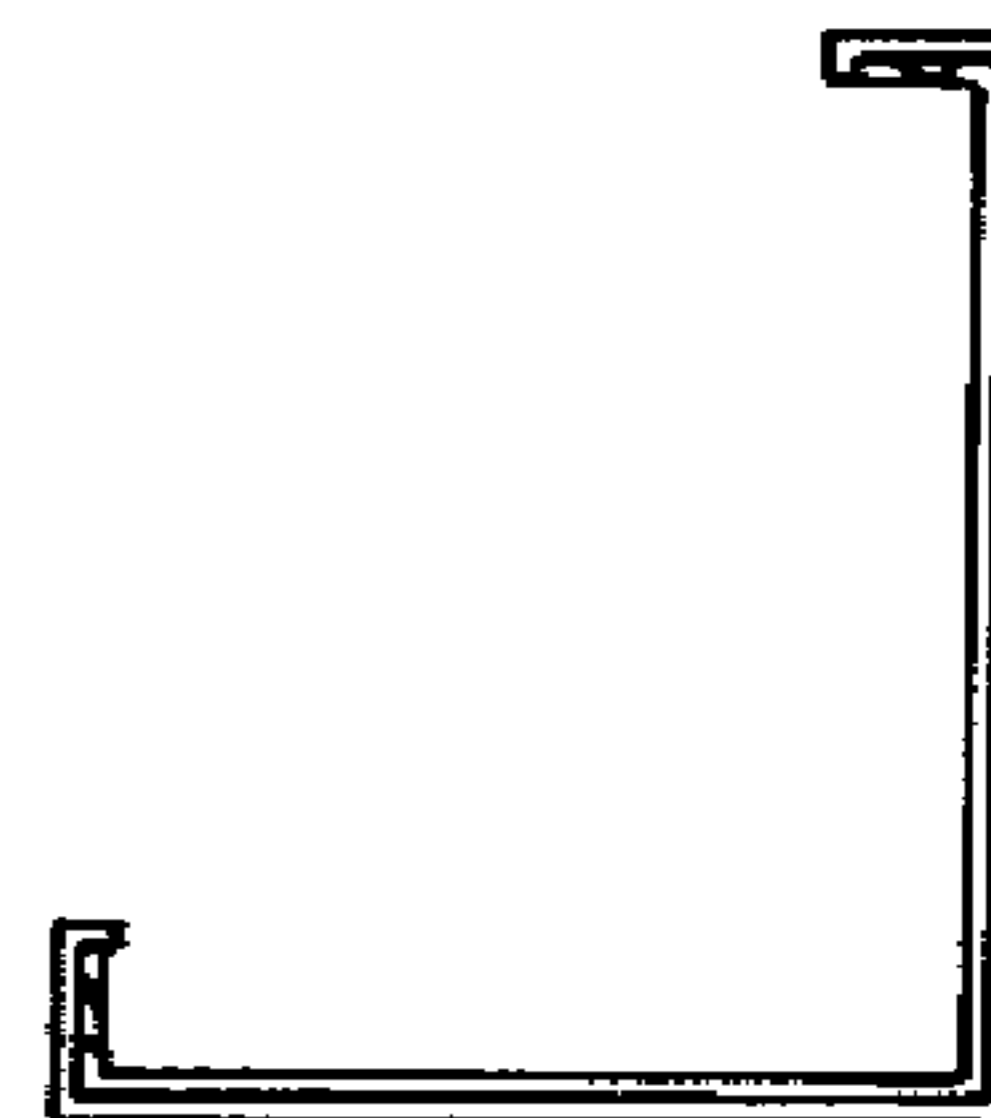


FIG. 7

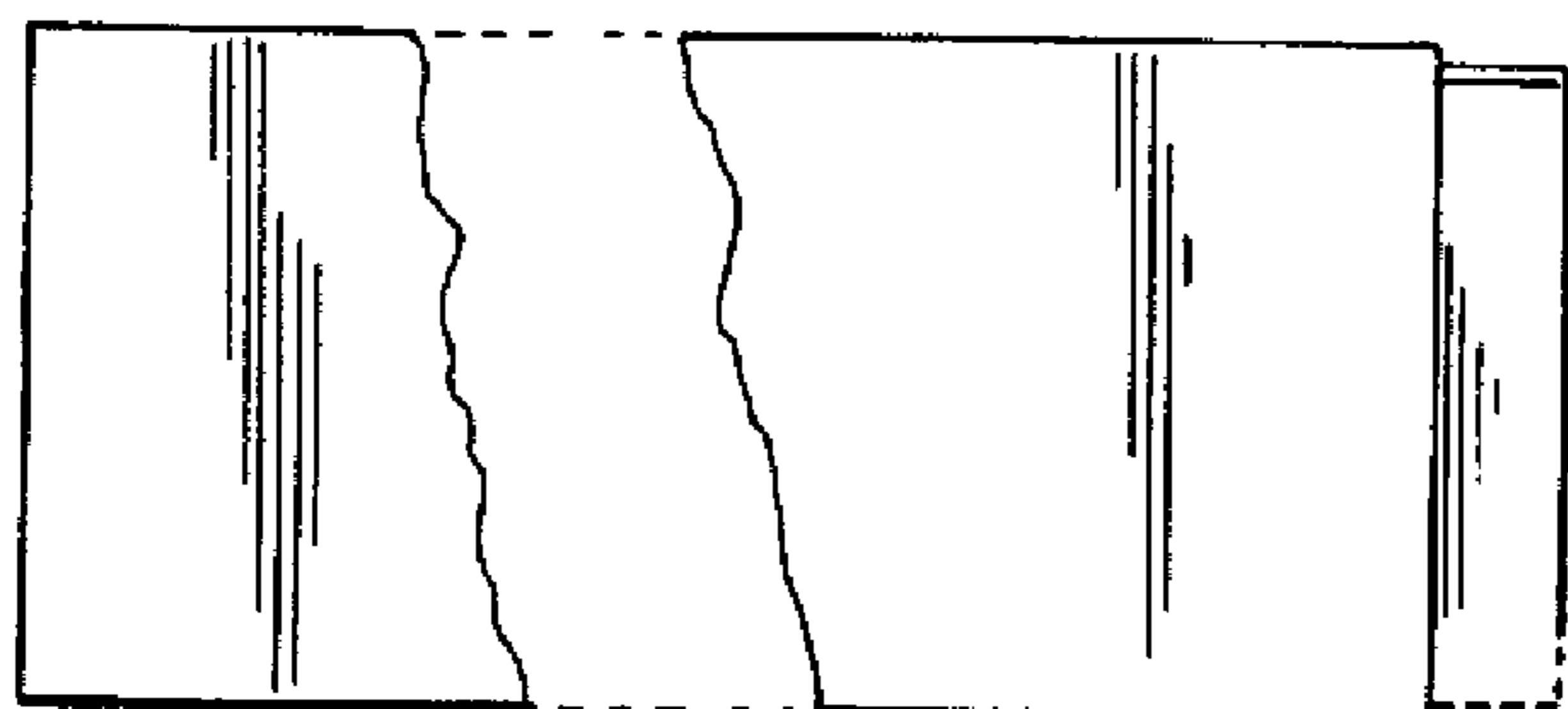


FIG. 2

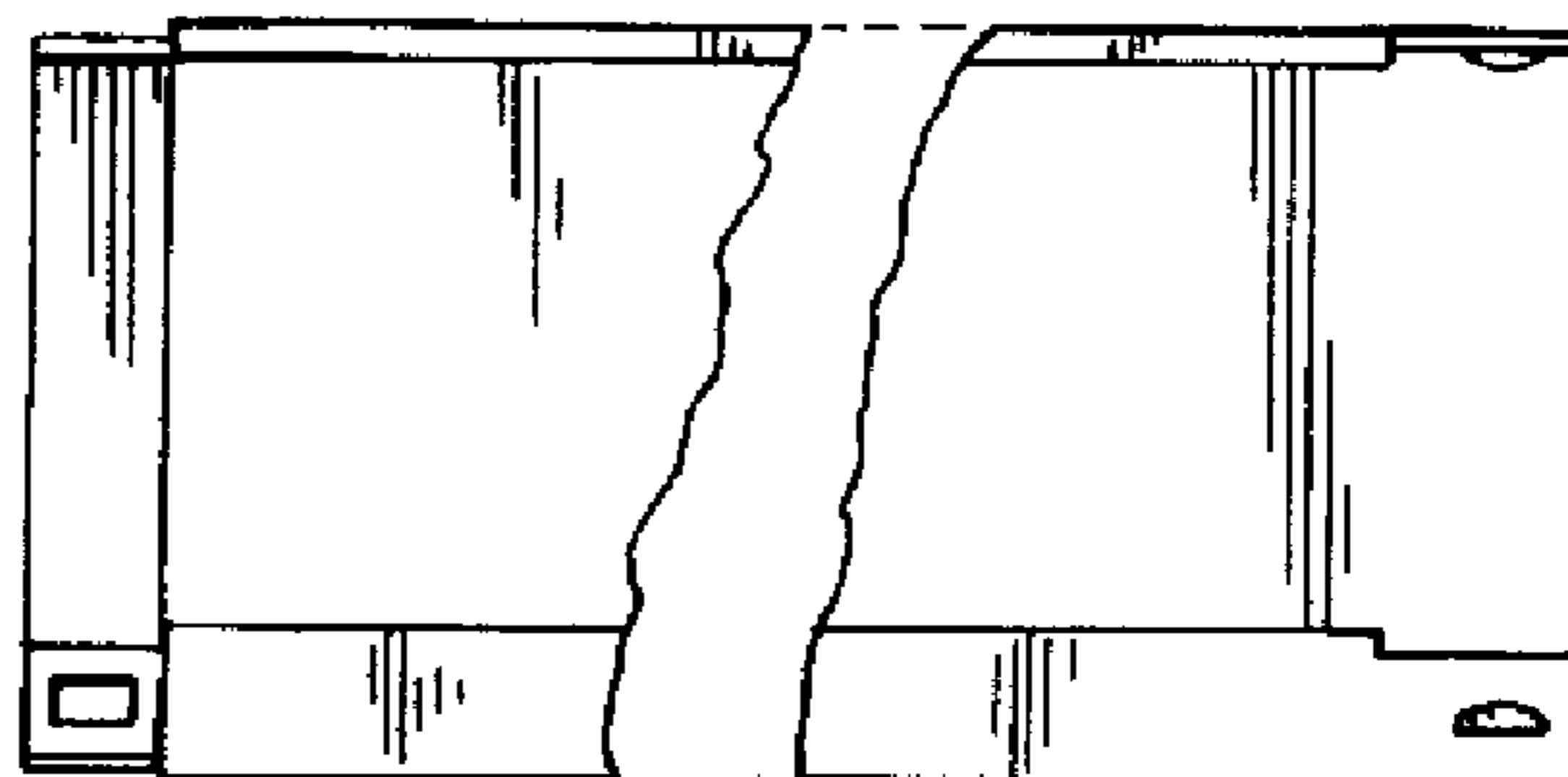


FIG. 3

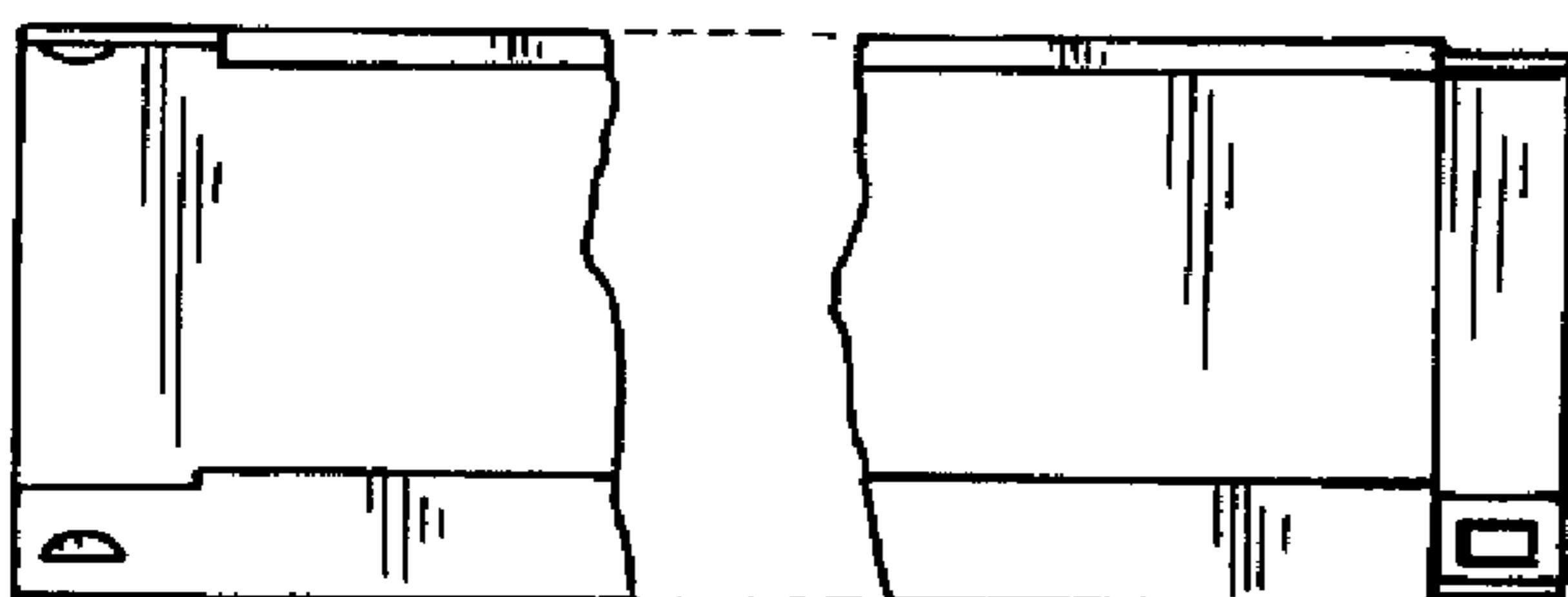


FIG. 4

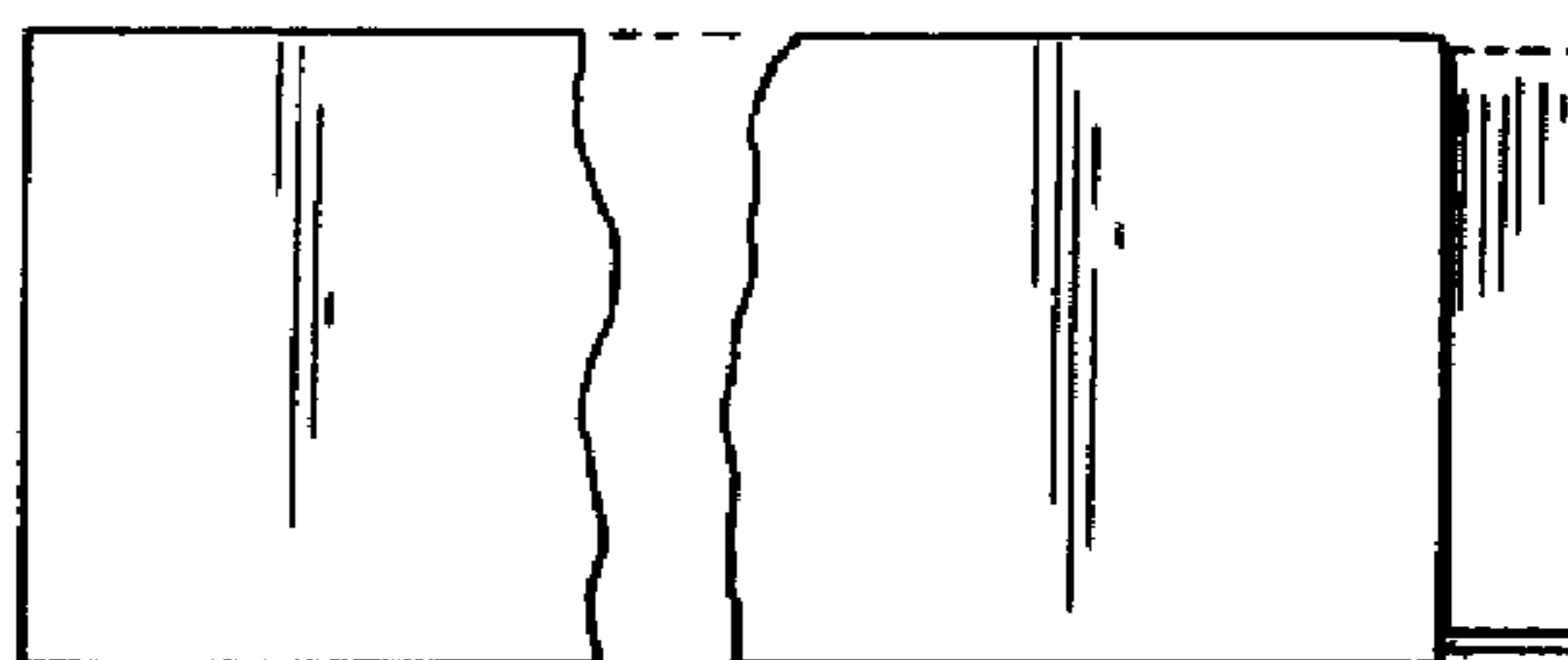


FIG. 5