



US00D646762S

(12) **United States Design Patent**
Terry et al.

(10) **Patent No.:** **US D646,762 S**
(45) **Date of Patent:** **** Oct. 11, 2011**

(54) **PLUMBING ADAPTOR**

(56) **References Cited**

(75) Inventors: **Bryan Terry**, Evandale (AU); **Mark Johnson**, Evandale (AU)

(73) Assignee: **Desert Eco Systems Pty Ltd.** (AU)

(**) Term: **14 Years**

(21) Appl. No.: **29/378,864**

(22) Filed: **Nov. 10, 2010**

(30) **Foreign Application Priority Data**

Jul. 27, 2010 (AU) 13150/2010

(51) **LOC (9) Cl.** **23-01**

(52) **U.S. Cl.** **D23/259**

(58) **Field of Classification Search** D23/259-269;
4/252.1, 252.4, 252.5, 252.6, 419, 661, 144.1-144.4,
4/114.4, 114.1, 301-311; 285/15-17, 56-60,
285/415

See application file for complete search history.

U.S. PATENT DOCUMENTS

4,827,539	A *	5/1989	Kiziah	4/252.4
5,996,134	A *	12/1999	Senninger	4/252.4
6,401,266	B1 *	6/2002	Mitchell et al.	4/309
D462,256	S *	9/2002	Jaynes	D8/382
6,701,541	B2 *	3/2004	Romagna et al.	4/301
D574,931	S *	8/2008	Hughes	D23/262
7,571,741	B2 *	8/2009	Higgins	137/247.29
7,900,288	B2 *	3/2011	Fima	4/287
2002/0166162	A1 *	11/2002	Romagna et al.	4/306
2010/0199415	A1 *	8/2010	Fima	4/301
2011/0010833	A1 *	1/2011	Fima	4/301

* cited by examiner

Primary Examiner — T. Chase Nelson

Assistant Examiner — Eric Goodman

(74) *Attorney, Agent, or Firm* — Akerman Senterfitt

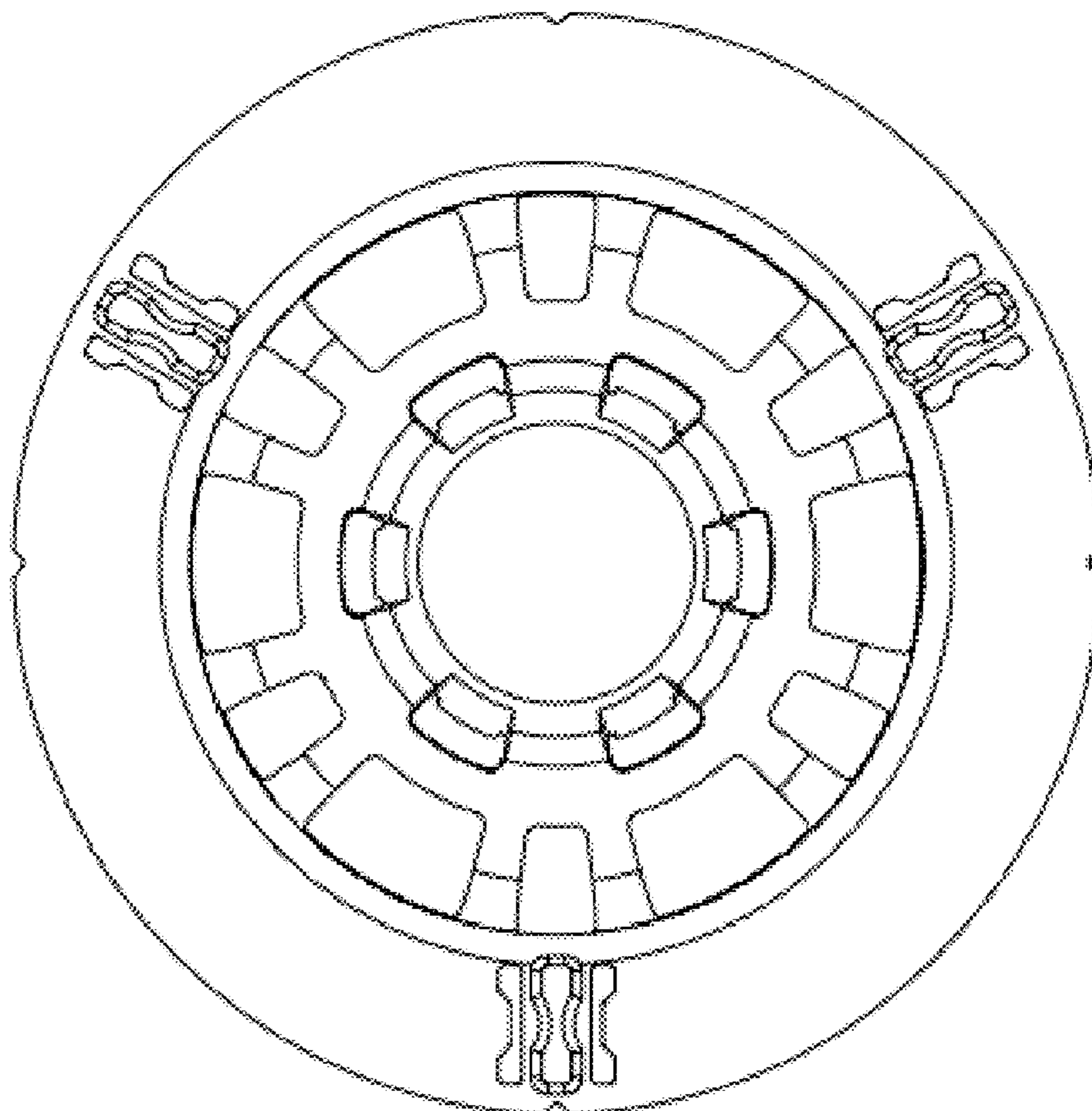
(57) **CLAIM**

The ornamental design of a plumbing adaptor, as shown and described.

DESCRIPTION

FIG. 1 is a top view of a plumbing adaptor;
FIG. 2 is a perspective view thereof;
FIG. 3 is a front side view thereof; and,
FIG. 4 is a side view thereof.

1 Claim, 2 Drawing Sheets



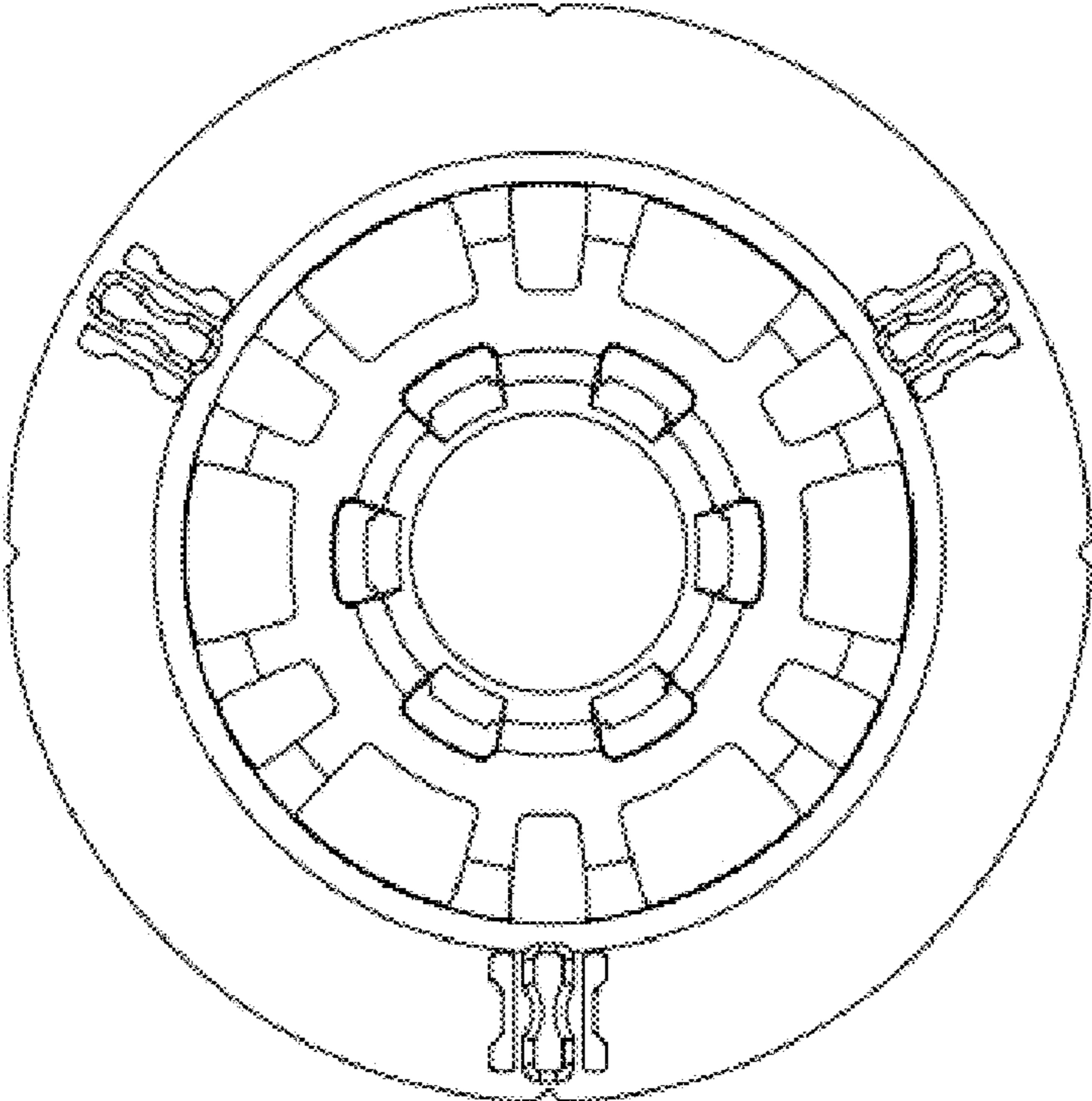


FIGURE 1

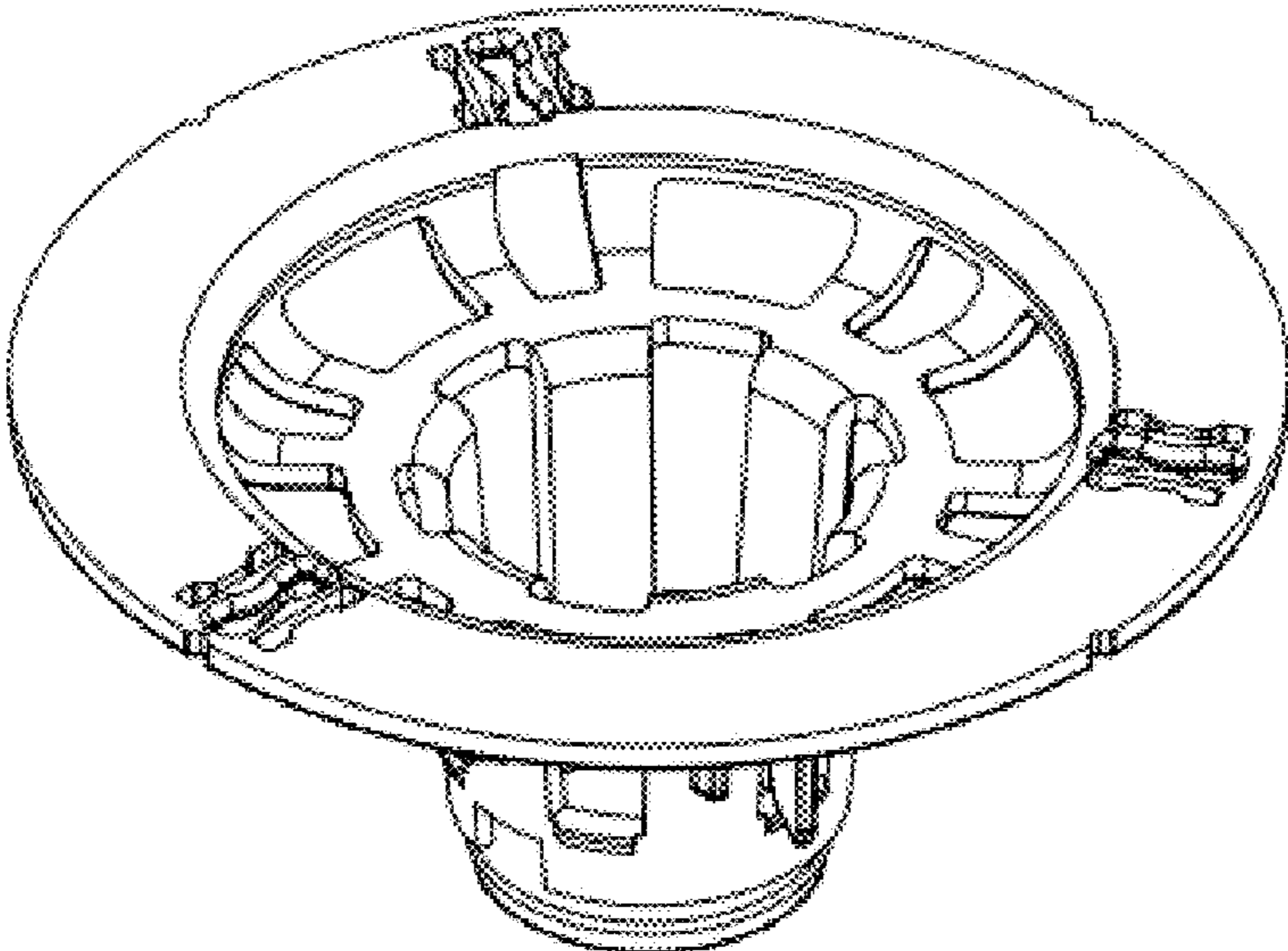


FIGURE 2

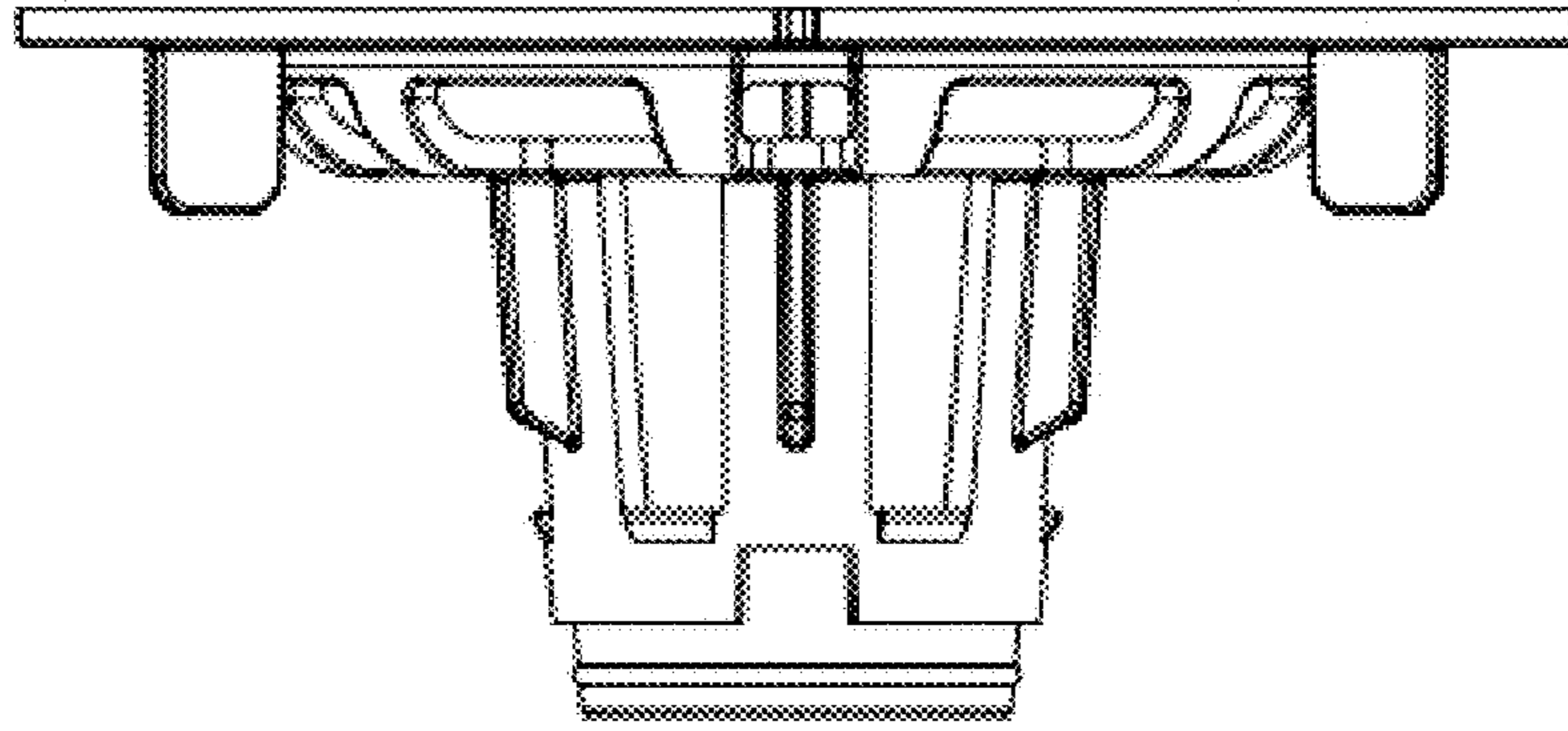


FIGURE 3

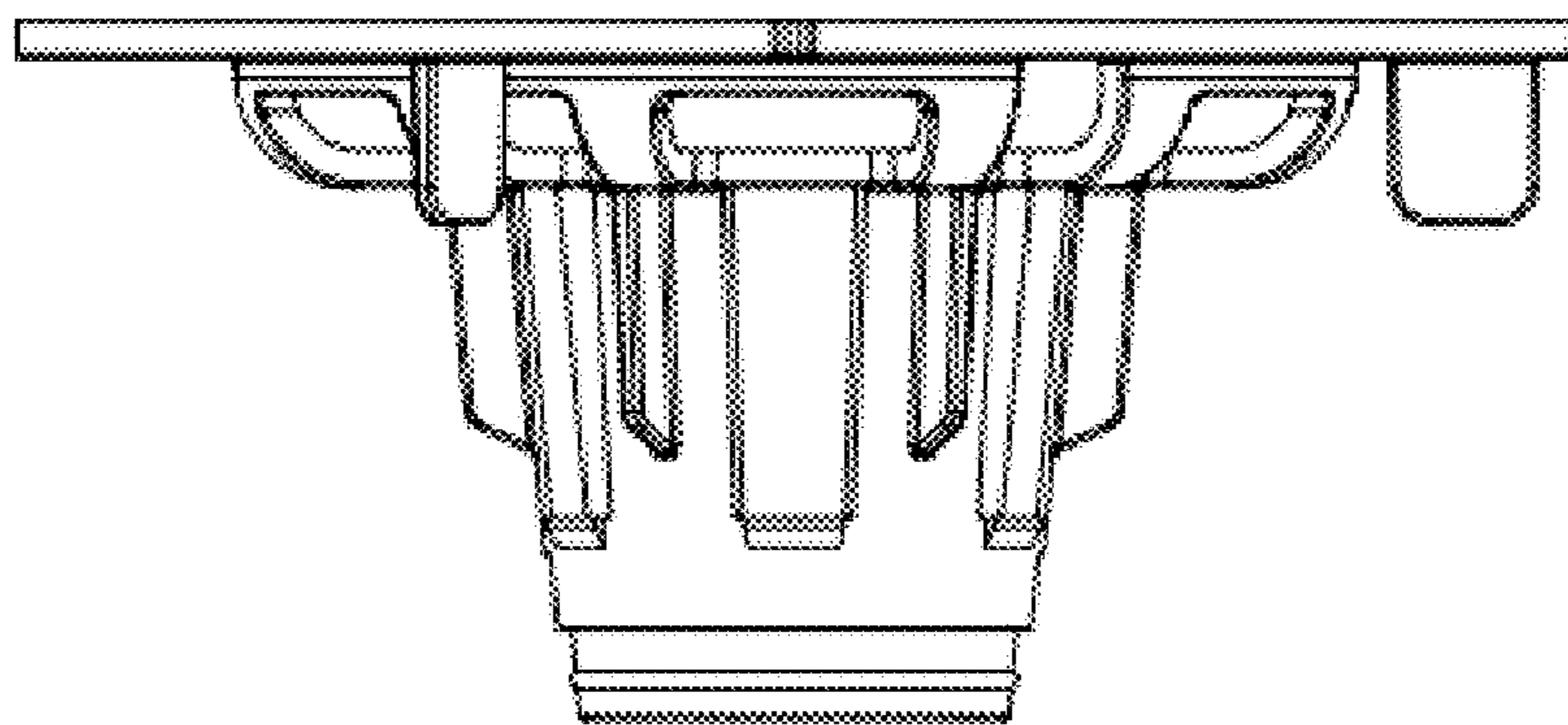


FIGURE 4