



US00D646759S

(12) **United States Design Patent**  
**Lobermeier et al.**

(10) **Patent No.:** **US D646,759 S**  
(45) **Date of Patent:** **\*\* Oct. 11, 2011**

(54) **SINK MIXER**

(75) Inventors: **Hans Lobermeier**, Menden (DE); **Paul Flowers**, Duesseldorf (DE)

(73) Assignee: **Grohe AG**, Hemer (DE)

(\*\*) Term: **14 Years**

(21) Appl. No.: **29/375,922**

(22) Filed: **Sep. 29, 2010**

(30) **Foreign Application Priority Data**

Mar. 29, 2010 (EM) ..... 001687799-0001

(51) **LOC (9) Cl.** ..... **23-01**

(52) **U.S. Cl.** ..... **D23/255**

(58) **Field of Classification Search** ..... D23/238,  
D23/241-243, 250, 252, 255, 257; 4/676-678;  
137/801

See application file for complete search history.

(56) **References Cited**

**U.S. PATENT DOCUMENTS**

D438,288 S *	2/2001	Mark et al.	.....	D23/242
D528,188 S *	9/2006	Lammel et al.	.....	D23/238
D608,863 S *	1/2010	Pan	.....	D23/255
D624,988 S *	10/2010	Lammel et al.	.....	D23/238
D628,275 S *	11/2010	Lammel et al.	.....	D23/238

**FOREIGN PATENT DOCUMENTS**

EM 000958657-0015 2/2009

\* cited by examiner

*Primary Examiner* — Robert Delehanty

(74) *Attorney, Agent, or Firm* — Muncy, Geissler, Olds & Lowe, PLLC

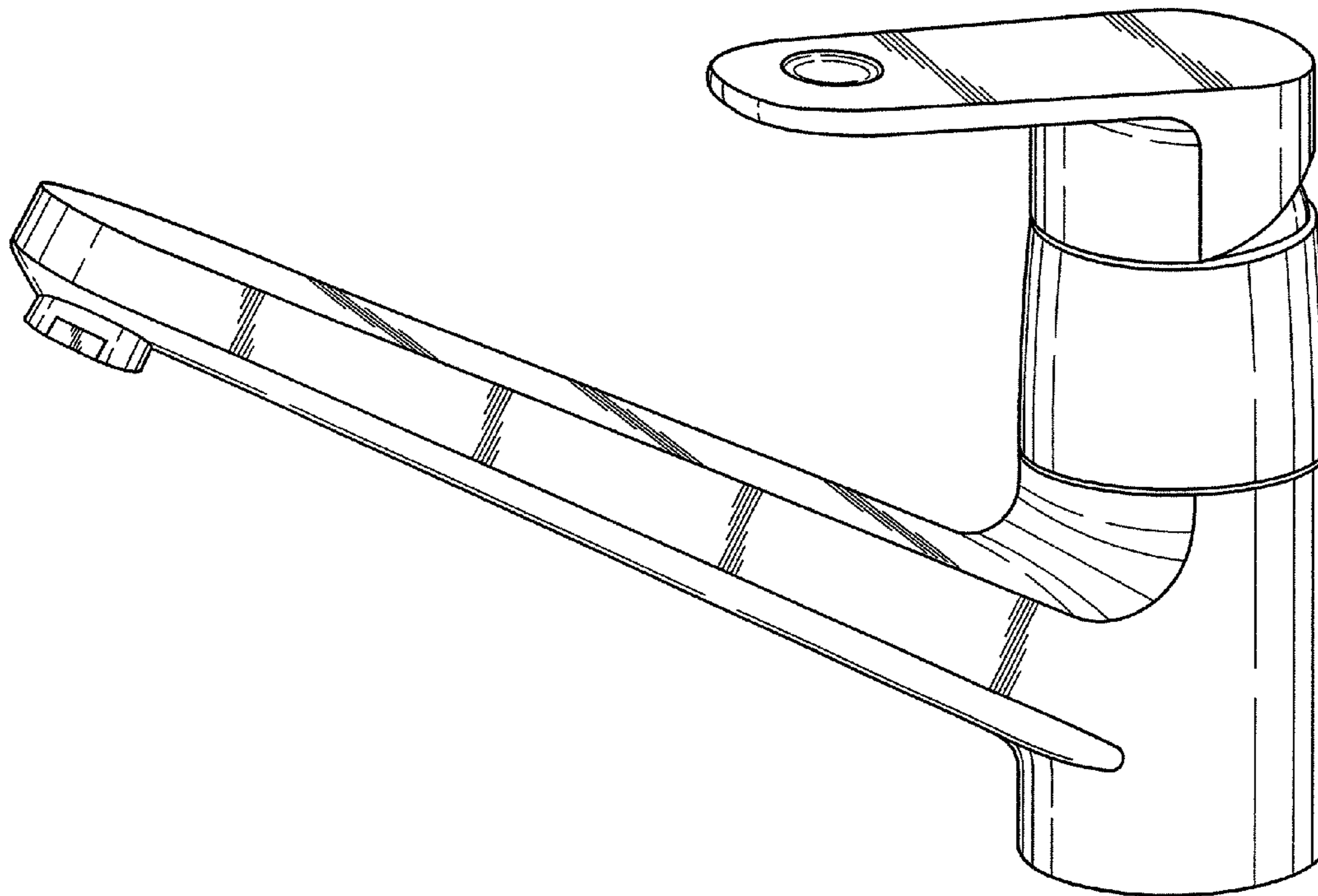
(57) **CLAIM**

The ornamental design for a sink mixer, as shown and described.

**DESCRIPTION**

FIG. 1 is a perspective view of a sink mixer.  
 FIG. 2 is a left side elevational view of the sink mixer of FIG. 1.  
 FIG. 3 is a right side elevational view of the sink mixer of FIG. 1.  
 FIG. 4 is a front elevational view of the sink mixer of FIG. 1.  
 FIG. 5 is a rear elevational view of the sink mixer of FIG. 1.  
 FIG. 6 is a top plan view of the sink mixer of FIG. 1; and,  
 FIG. 7 is a bottom plan view of the sink mixer of FIG. 1.  
 The dashed lines illustrate environment that does not form a part of the present invention, and no claim is made to the material illustrated with dashed lines.

**1 Claim, 7 Drawing Sheets**



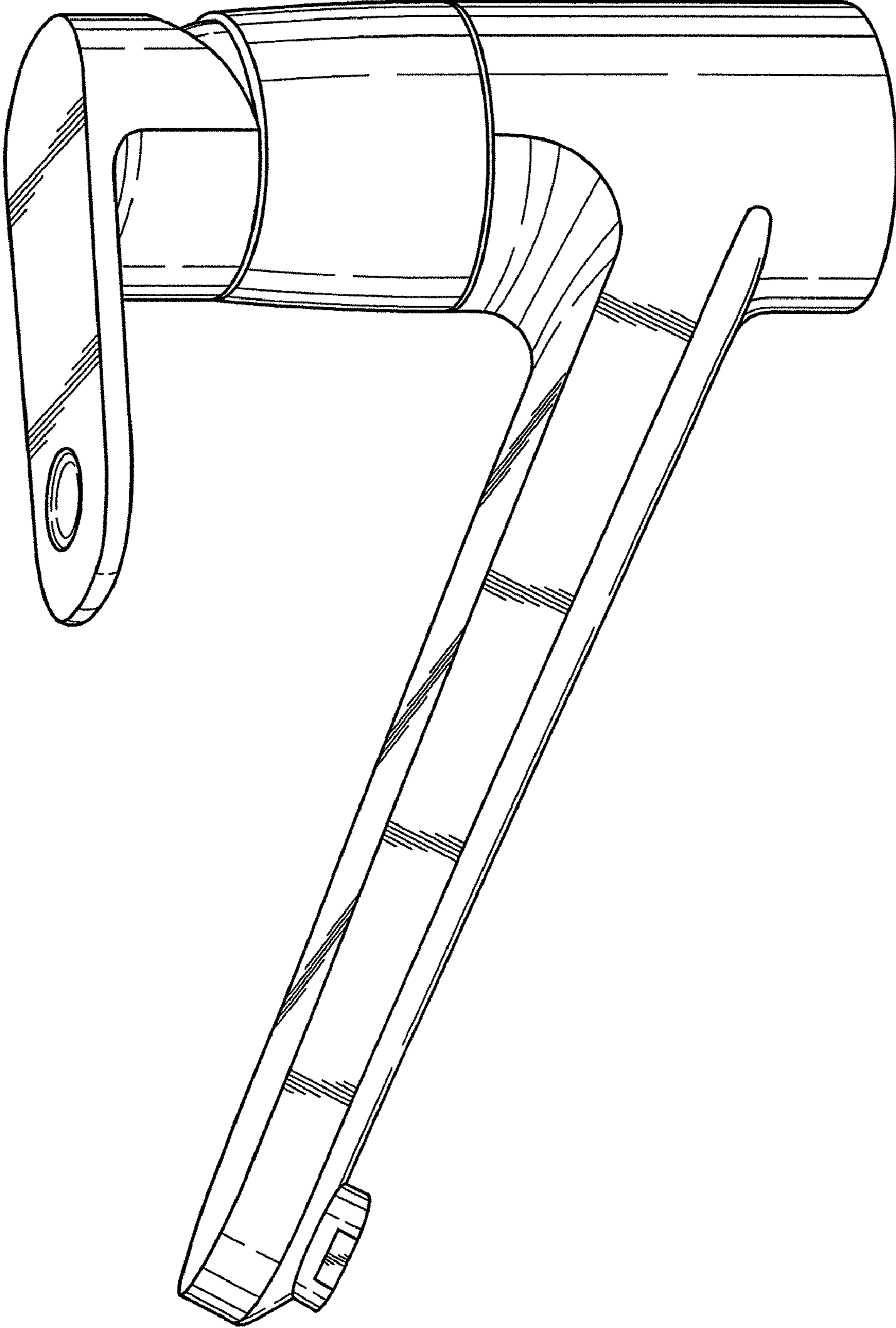


FIG. 1

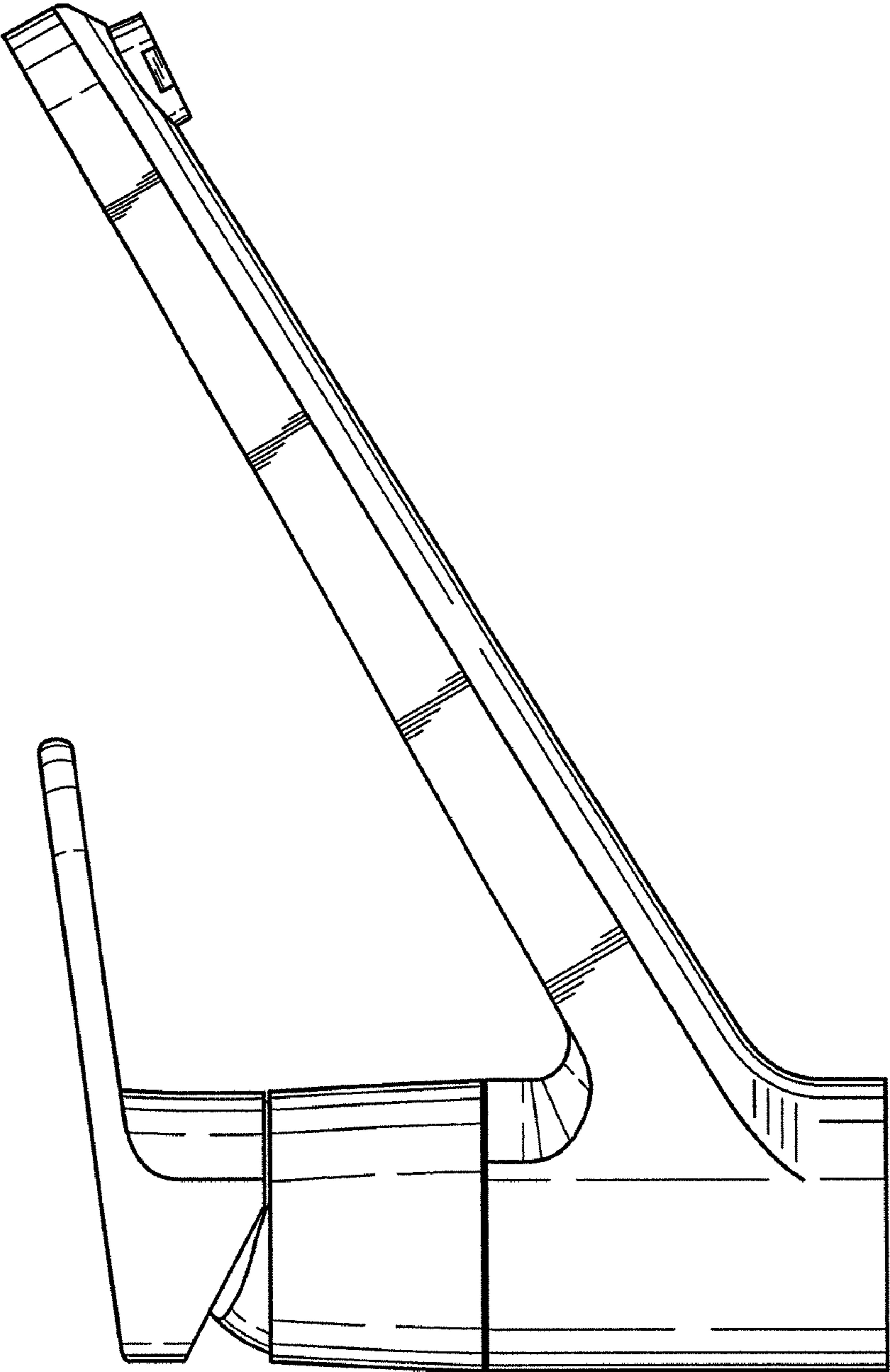


FIG. 2

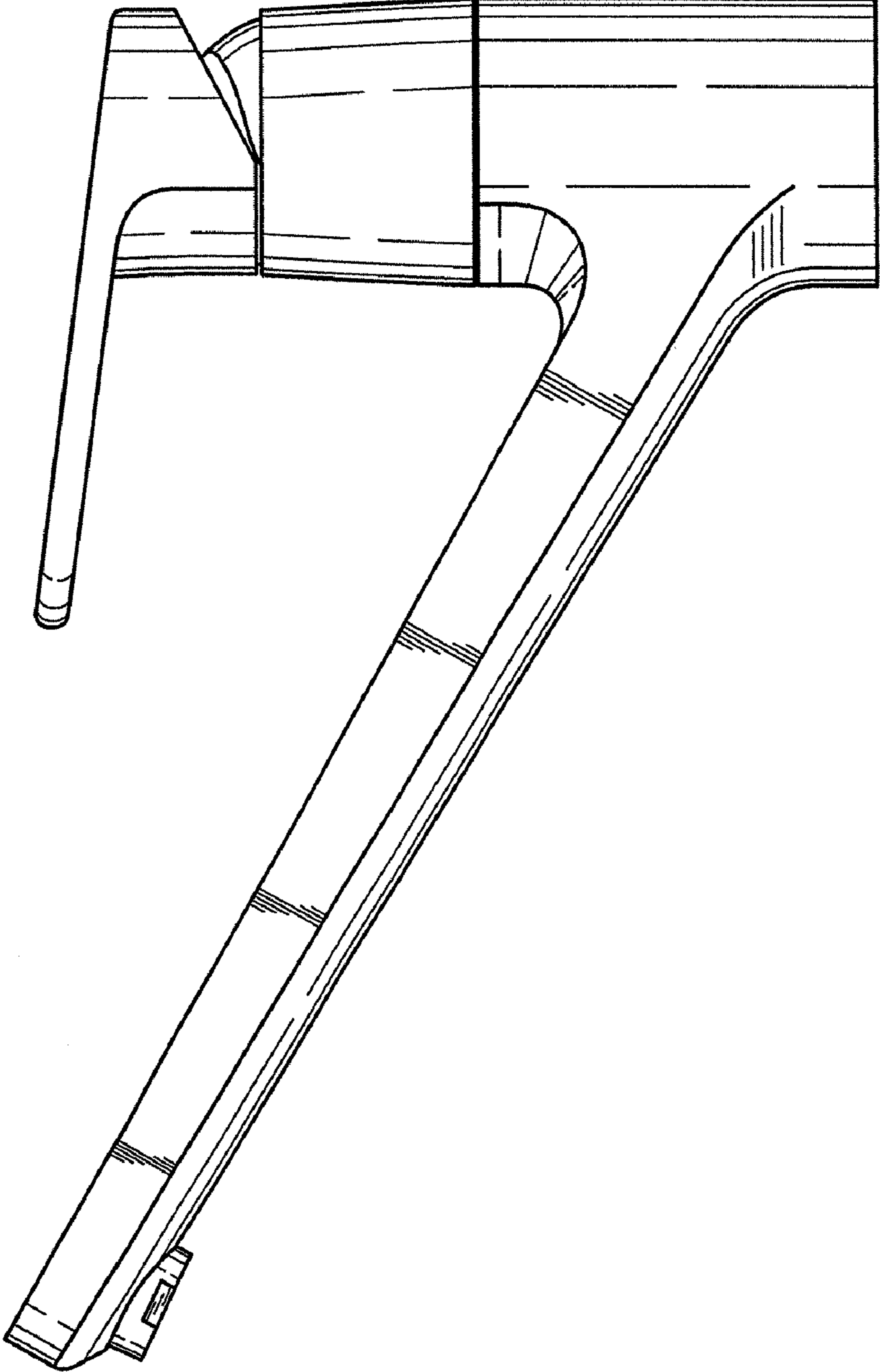


FIG. 3

FIG. 4

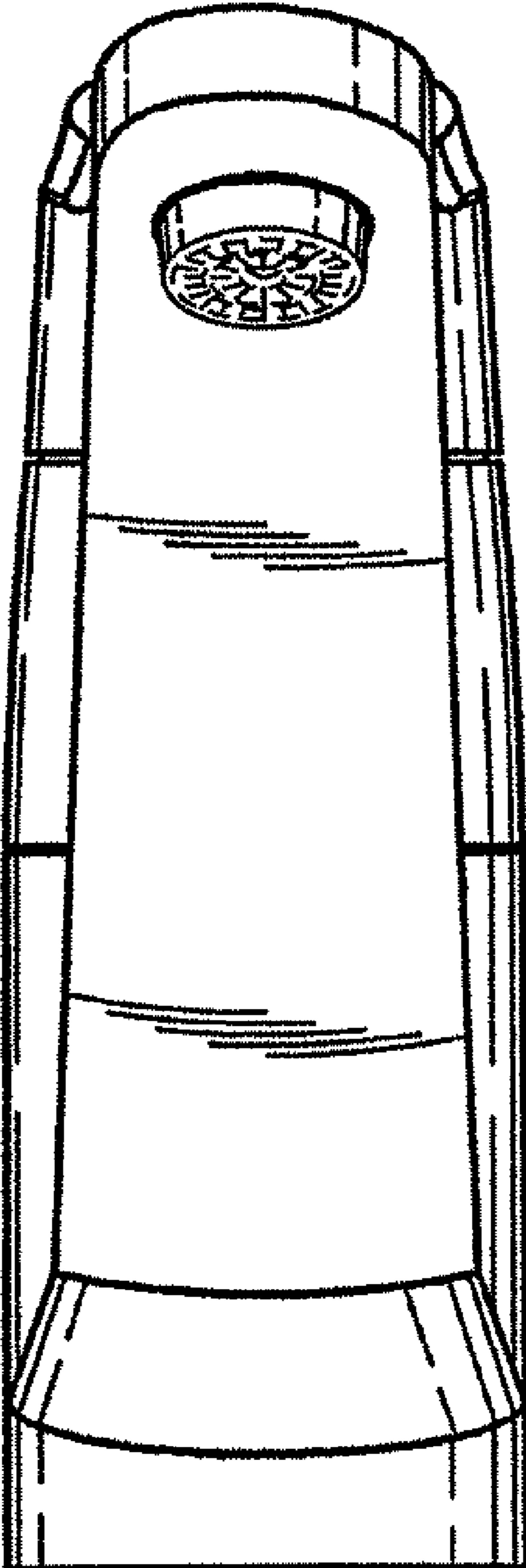


FIG. 5

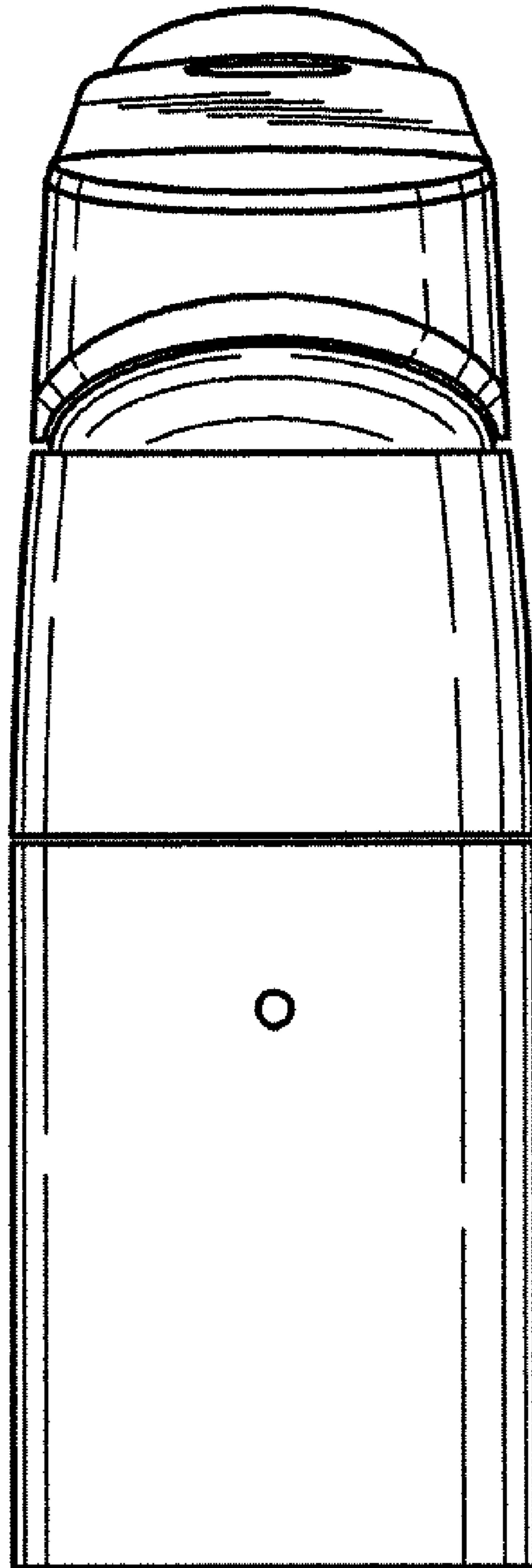


FIG. 6

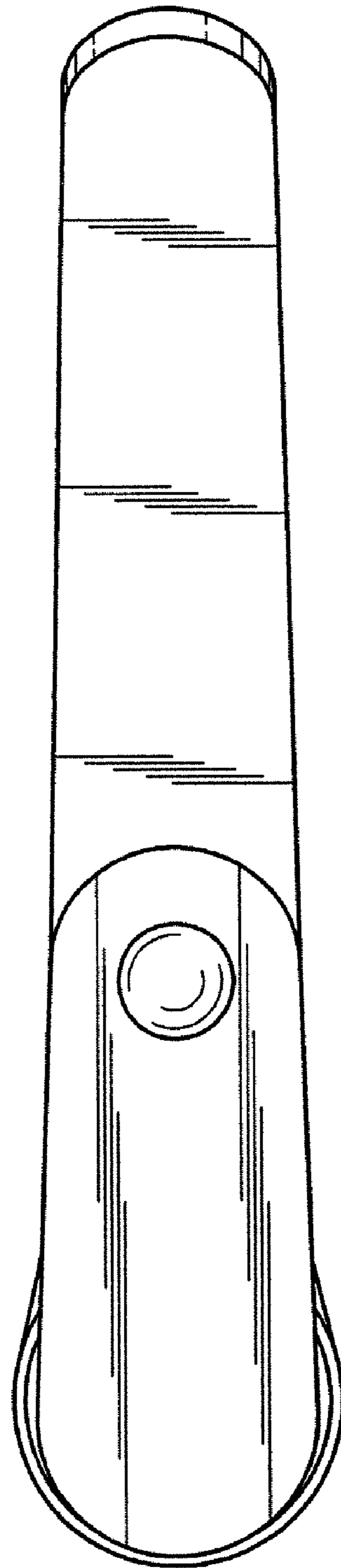


FIG. 7

